



# HL2X2 High Capacity Manifold System

## High Capacity System Features:

- (2) S59-3200 valves assembled into a manifold system
- Factory assembled and tested
- Piping assembly w/ inlet and outlet shutoff valves
- Easy installation and serviceability

## Navigator High-Low Valve Features:

- Reliable liquid-filled thermostat with 10 year warranty
- Integral strainer checkstops on inlets
- Adjustable set point within temperature range
- Accurate temperature control to within  $\pm 3^\circ$  F
- Positive shutoff of flow in the event of cold supply line failure or thermostat failure
- Dirt and lime resistant
- Dial Thermometer on each valve

## Valve Specifications

### Maximum Operating Pressure

125 PSI (860 kPa)

### Maximum Inlet Temperature

200° F (93° C)

### Temperature Range

**Std.** 90° F (32° C) to 120° F (49° C)  
**High** 110° F (43° C) to 140° F (60° C)

### Set Point

110° F (43° C)  
 130° F (54° C)

### Flow Capacities – GPM (L/Min)

| Model           | Min*<br>Flow   | Pressure Drop – PSI (Bar) |                  |                  |                   |                   |                   |                   |
|-----------------|----------------|---------------------------|------------------|------------------|-------------------|-------------------|-------------------|-------------------|
|                 |                | 5<br>(.5)                 | 10<br>(1.0)      | 15<br>(1.5)      | 20<br>(2.0)       | 30<br>(2.5)       | 45<br>(3.0)       | 60<br>(4.0)       |
| <b>S59-3400</b> | 10.0<br>(38.0) | 120.0<br>(565.0)          | 182.0<br>(810.0) | 218.0<br>(999.0) | 254.0<br>(1160.0) | 314.0<br>(1302.0) | 384.0<br>(1431.0) | 440.0<br>(1662.0) |

\***Recirculation system only** (See diagram on Page 2). When properly installed near the hot water source with a **continuously operating** recirculation pump, the valve will maintain set temperature with a .5 GPM (2.0 L/Min) draw from the plumbing system.

## Code Compliance and Certifications

ASSE 1017 & cUPC certified.



Certified to  
NSF/ANSI 372

**Standard product selections contained within this document are third party CERTIFIED to NSF/ANSI 372 meeting the Lead-Free content requirement. Any product configured with custom options will be COMPLIANT with NSF/ANSI 372 meeting the Lead-Free content requirement.**

Engineer's Approval \_\_\_\_\_

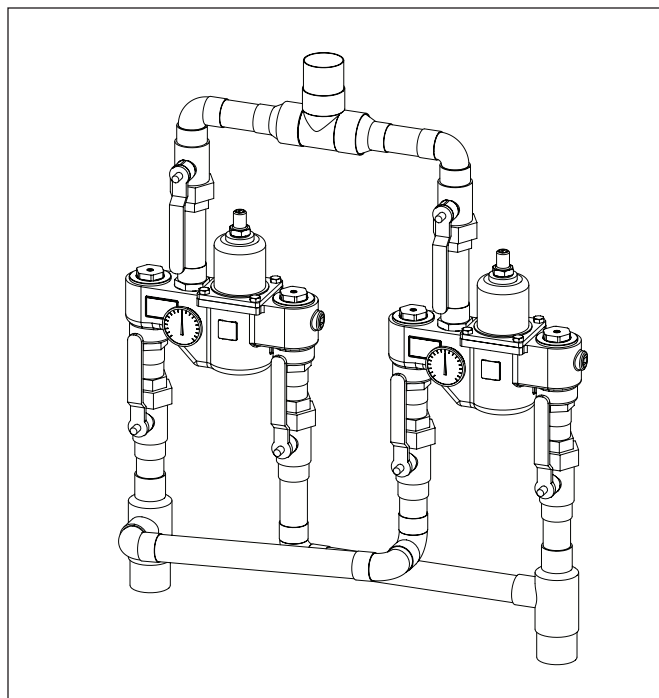
Consult local and national codes. Conformity and compliance to local and national codes is the responsibility of the installer.

Page 1 of 3

11/10/2014

This information is subject to change without notice.

Bradley\_TMV\_HighLow\_HL2X2



## Optional Selections

### Thermostat

- H** High Range Thermostat
- T** Thermometer on combined outlet

### Uni-strut

- U** Mounted to Uni-strut

## Sample Specification

High capacity manifold system consisting of two HL200 valves in combination with piping assembly and inlet/outlet shutoff valves. Each valve shall consist of a liquid-filled thermostat and a stainless steel piston and liner assembly with positive shutoff of hot water when cold water supply fails. HL200 valve will restrict flow of cold water in the event of loss or interruption of the hot water supply. Construction shall be bronze body and cap with replaceable corrosion resistant components, including stainless steel piston and liner. HL200 valve shall come equipped with integral checkstops, removable strainers, and thermometer. Liquid filled thermostat shall be warranted for a period of 10 years.

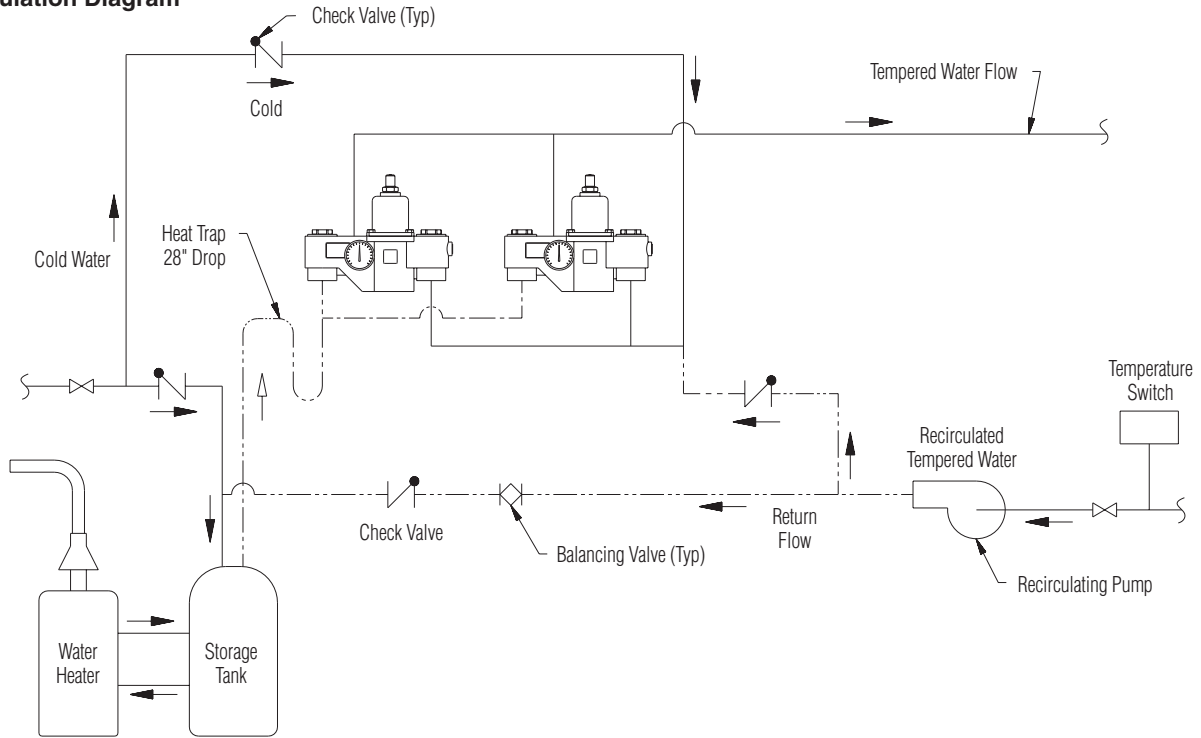
© 2015 Bradley

P.O. Box 309, Menomonee Falls, WI 53052-0309  
 800 BRADLEY (800 272 3539) +1 262 251 6000  
 bradleycorp.com



# HL2X2 High Capacity Manifold System

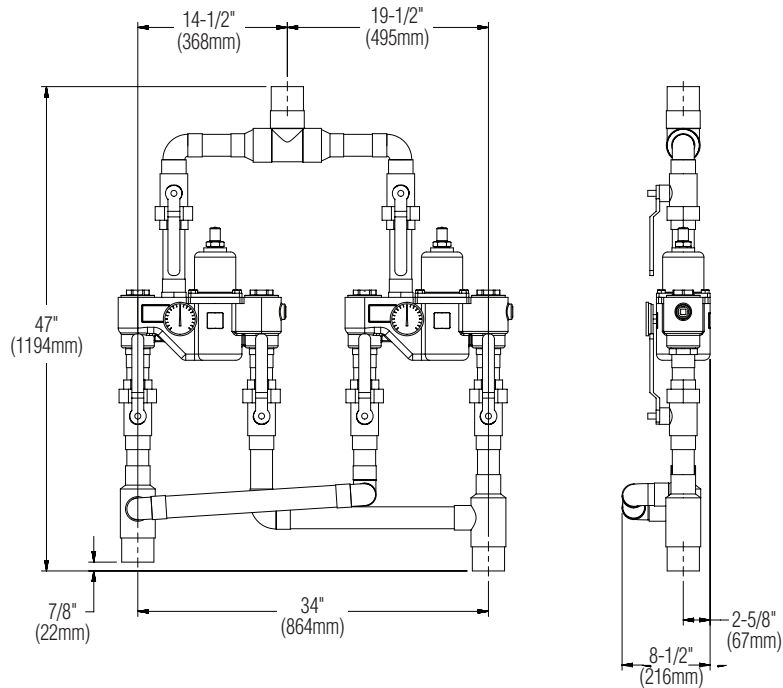
## Recirculation Diagram



## Dimensions

With Standard or High Range Thermostat ("H" Option)

3" NCT Inlets and Outlets



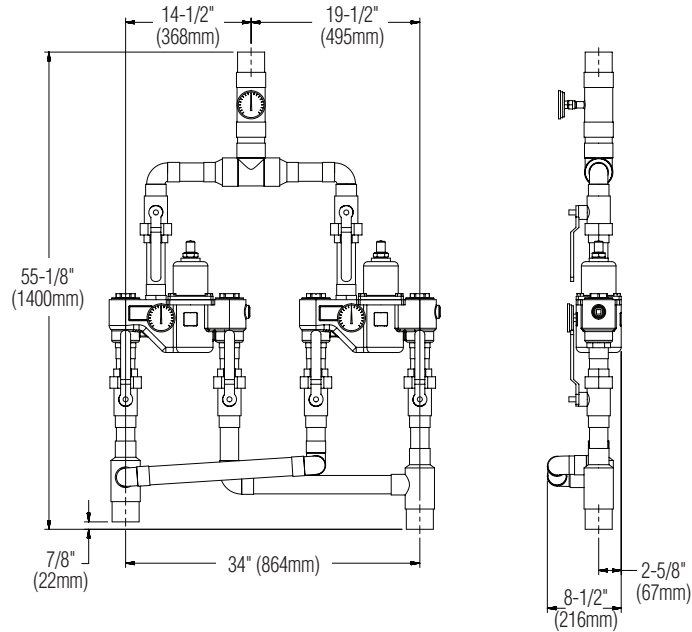
Consult local and national codes. Conformity and compliance to local and national codes is the responsibility of the installer.



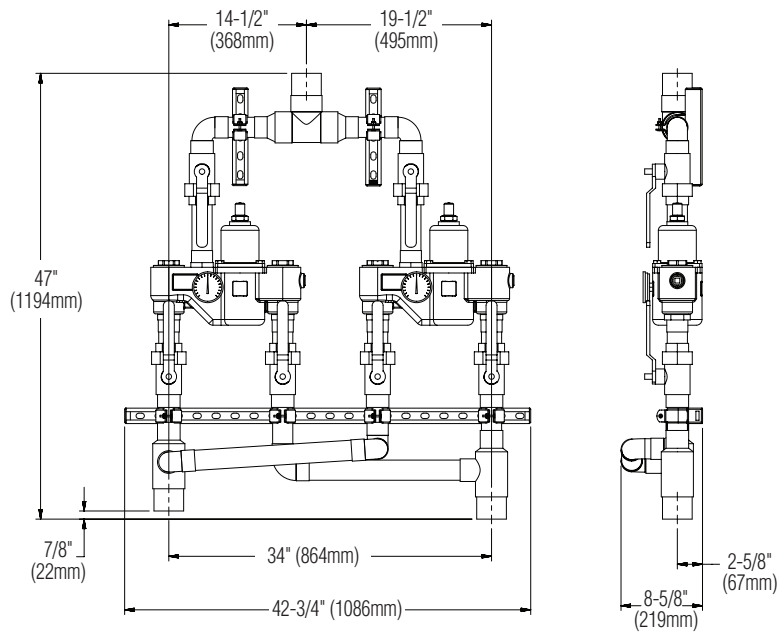
# HL2X2 High Capacity Manifold System

## Dimensions

With Thermometer on  
combined Outlet ("T" Option)



Mounted to Uni-Strut  
("U" Option)



Consult local and national codes. Conformity and compliance to local and national codes is the responsibility of the installer.