

AM-1 Series™

PROPORTIONAL THERMOSTATIC MIXING AND DIVERTING VALVE STANDARD AND "C" TEMPERATURE RANGE MODELS - NPT, UNION SWEAT, THREAD, CPVC AND PEX MODELS

INSTALLATION INSTRUCTIONS



NPT



Union

APPLICATION

The AM-1 Series™ family of quality valves in a variety of temperature ranges and connections, for master mixing or diverting applications.

SPECIFICATIONS

Temperature Range:

C Model: 70°F–120°F (21°C–49°C)

Standard Model: 70°F–145°F (21°C–63°C)

Connections:

Straight-through design (HOT and COLD at same level).

Construction:

Nickel plated brass construction. EPDM o-rings. Made in USA.

Lead Free Plumbing Code Compliance: The wettable surfaces of lead free models contain less than .25% of lead by weighted average

Operating Pressure: 150 psi (1034 kPa) maximum.

Operating Temperature: 212 °F (100 °C) maximum.

Patent Information: U.S. Patent No. 6,079,625.

INSTALLATION

IMPORTANT

Mounting must comply with all local codes.

NOTE TO INSTALLER: This product should be installed by a qualified individual, in accordance with local codes and ordinances. It is the responsibility of the installer to properly select, install and adjust these devices as specified in these instructions. For installations which require compliance with Building/Mechanical/Plumbing Codes, the appropriate AM-1 Series™ valve must be chosen and installed, and the discharge temperature set and locked according to these instructions. AM-1 "C" Series models with the temperature range, 70°F–120°F (21°C–49°C) and "Standard" models with temperature range 70°F–145°F (21°C–63°C) are ASSE® 1017 (point of source application) certified, and CSA®^a and IAPMO® listed. These models shall be used to supply water to tubs, showers, bathing facilities and other outlets. These valves should be installed where they will be accessible for cleaning, servicing or adjustment.

ASSE 1017 Applications—Point of Source

These AM-1 Series models can be installed in any position consistent with the intended use. For domestic hot water supply, the valve must be installed as shown in Fig. 1. There shall be no shut-off valves installed between the cold water line and the cold water connection on the AM-1 Series valve. Check valves shall be installed as indicated for NPT models; all AM-1 models with union fittings are supplied with integral check valves on both the hot and cold ports. A cold water service valve may be installed, as indicated, between the cold water supply line to the distribution system and the cold water line supplying both the water heater and the AM-1 Series valve.

^a -UCPVC and -UPEX models are not CSA listed.



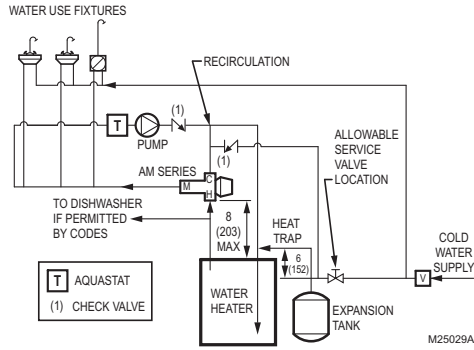


Fig. 1. AM-1 Series ASSE 1017 application

Installation of Union Sweat, CPVC and PEX Connections

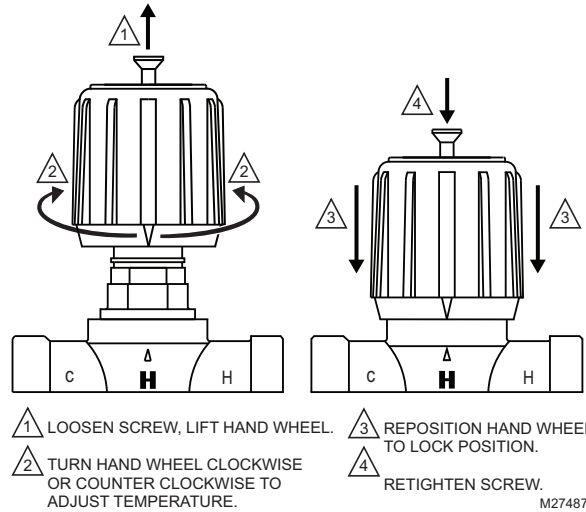
- Union sweat connections, if used, should be soldered prior to assembly to the valve, or without the sealing gasket or optional check valve present. After the joint has cooled, the sealing gasket and/or check valves may be installed.
- CPVC fittings are limited to a system maximum temperature of 180° F (82° C) and 100 psi (689 kPa).
- PEX fitting and crimp ring (provided by Installer) are designed to meet ASTM F1807 requirements.
- PEX tubing used with PEX fittings must meet ASTM F876 requirements.

VALVE ADJUSTMENT

To adjust temperature setting of the mixing valve, attach thermostrip (supplied with the valve) to the piping connected to the Mix port of the valve. Loosen handwheel screw, lift handwheel and turn to desired temperature as indicated on the thermostrip. Reposition the hand wheel and retighten screw.

Temperature Setting Procedure

It is possible to limit the temperature range. To use this feature:



Thermostrip Installation

Clean pipe and firmly apply Thermostrip on mix outlet of valve. Flow water and adjust mixed outlet temperature for desired setting range. Actual mixed water temperature is indicated in green with 2° F (1° C) increments. Blue means slightly lower and brown means slightly higher.

WARNING

Water Temperature above 120°F (49° C) can cause serious injury. Mixing valve temperature setting should be done by licensed contractor per local code requirement. To ensure correct temperature control, use water thermometer at faucet outlet.

The thermostrip is **ONE TIME USE ONLY** for initial system temperature setting. Check expiration date printed on temperature strip to ensure temperature reading accuracy. If necessary, contact your Honeywell distributor to obtain a replacement thermostrip, part number TS205-064.



Fig. 2. Thermostrip.

Post Installation Procedure

1. Write temperature setting on CAUTION label and sign in space provided.
2. Attach CAUTION label to AM-1 valve.
3. Explain CAUTION label to owner.
4. Deposit this instruction sheet with owner.

OPERATION

The AM-1 series valve provides for automatic operation through the use of a thermostatic element in the product. The element will control the mixing of the hot and cold supply to

provide mixed tempered water to connected fixtures. This provides constant water temperature under different working conditions.

MAINTENANCE PROCEDURES

Hard water conditions may result in scale deposits, causing binding of internal parts in extreme cases. Cleaning the internal parts will usually restore the valve to proper operating conditions. In some cases, it may be necessary to replace the lower assembly.

To clean and/or replace the lower assembly, shut off water and:

1. With a screwdriver, remove screw and handwheel.
2. Loosen upper nut (do not remove) to allow engaging an adjustable wrench on lower nut. Unscrew lower nut (counterclockwise). This removes top assembly.
3. Brass top assembly will pop up. Remove lower assembly, diffuser and spring.
4. Carefully remove any scaling (calcium deposit) or foreign particles from valve seat and other internal parts. Use vinegar to remove calcium. Soak parts until calcium becomes soft and can be scrubbed and washed off. Do not use solvents or scratch metallic / Teflon® coated surfaces.
5. Replace cleaned spring, diffuser and lower assembly following instructions below or use new replacement kit assembly. For correct kit number, see Table 1.

Install spring, diffuser and lower assembly:

- A. Insert spring onto diffuser.
- B. Insert diffuser with spring end first into body.
- C. Fit valve top assembly into lower assembly and insert into valve.
- D. Tighten lower nut.
- E. Reposition handwheel and insert screw. Turn handwheel to desired temperature setting.

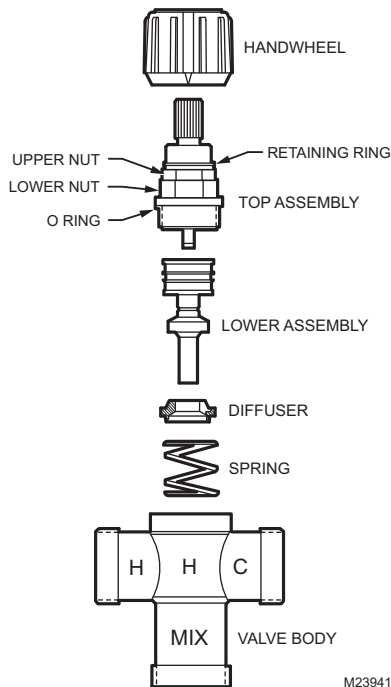


Fig. 3. AM-1 Series valves assembly.

Table 1. AM-1 Series Replacement Kits

Model	Temperature Range	Part No.
C	70°–120° F (21°–49°C)	AM-1-020 RP
STD	70°–145° F (21°–63° C)	AM-1-025 RP

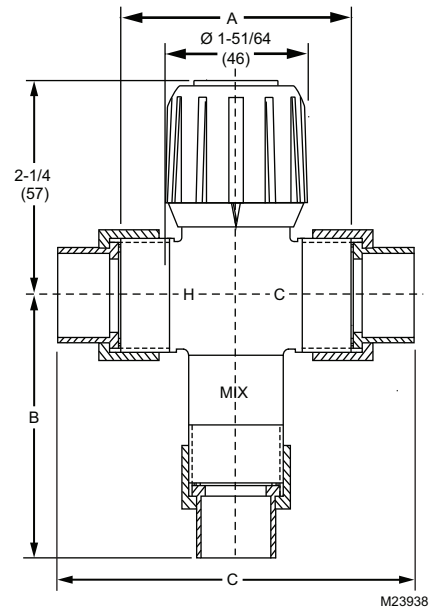


Fig. 4. Dimensions in in. (mm).

AM-1 SERIES™

AM-1 Series™ is a trademark of Honeywell International, Inc.

ASSE® is a registered trademark of the American Society of Sanitary Engineering.

CSA® is a registered trademark of the Canadian Standards Association.

IAPMO® is a registered trademark of the International Association of Plumbing and Mechanical Officials.

ASTM® is a registered trademark of the American Society for Testing and Materials.

Teflon® is a registered trademark of E.I. du Pont de Nemours and Company.

Automation and Control Solutions

Honeywell International Inc.
1985 Douglas Drive North
Golden Valley, MN 55422

Honeywell Limited-Honeywell Limitée
35 Dynamic Drive
Toronto, Ontario M1V 4Z9
customer.honeywell.com

® U.S. Registered Trademark
© 2010 Honeywell International Inc.
62-3075EFS—03 M.S. Rev. 11-10
Printed in U.S.A.

Honeywell