

**CRLVHLGD004A00
CRLVHLGD011A00-
CRLVHLGD016A00,
CRLVHLGD020A00-
CRLVHLGD024A00
CRLVHLGD032A00**

**SMALL ROOFTOP UNITS
ACCESSORY LOUVERED HAIL GUARD
GAS HEATING/ELECTRIC COOLING,
ELECTRIC COOLING AND HEAT PUMP UNITS
3 to 15 TONS**

Installation Instructions

PACKAGE USAGE

Rooftop Unit Model	Hailguard
50TCQ08-12	548J*08-12 CRLVHLGD004A00
48/50TC*04, 50TCQA04	580J*04/558J*04, 548J*04 CRLVHLGD011A00
50HCQ 04 48/50TC*05-06 50TCQA05 48LC/50LC*04 48/50HC*04	549J 04 580J*05-06/558J*05-06, 548J*05 CRLVHLGD012A00
50HCQ 05-06 48/50TC*07 50TCQA07 48/50LC*05-06 48/50HC*05-06	548J 05-06 580J*07/558J*07, 548J*07 CRLVHLGD013A00
50HCQ 07 48/50TC*A, D 08† 48/50HC*07	549J 07 580J*08†/558J*08† 581J*07/551J*07 CRLVHLGD014A00
48/50TC*A09†	580J*09(A,C)†/558J*09(A)† CRLVHLGD015A00
50HCQ 08-09 48/50LC*07 48/50TC-D09†, 48/50TC*A,D12†, 48/50TC*D14† 48/50HC*08-12	549J 08-09 580J*09(D,F,K,M)†/580J*12†, 580J*14 (D,F,K,M)†/ 558J*09(D,K)† 558J*12†, 558J*14(D,K)† 581J*08-12/551J*08-12 CRLVHLGD016A00
48/50TC*D08	580J*08(D,F)/558J*08D CRLVHLGD020A00
48/50TC*D12	580J*12(D,F)/558J*12D CRLVHLGD021A00
48/50TC*D14	580J*14(D,F)/558J*14(D) CRLVHLGD022A00
50TCQA06	548J*06 CRLVHLGD023A00
48/50LC*08 50TCQ14	548J*14 CRLVHLGD024A00
50HCQ12 48/50LC*09-12 48/50TC*16† 48/50HC*14	549J 12 580J*16†/558J*16† 581J*14/551J*14 CRLVHLGD032A00

† Round tube plate fin outdoor coil only

ICP PACKAGE USAGE

Rooftop Unit Model†	Hailguard
RHS090-120	CRLVHLGD004A00
RGS/RAS036, RHS036	CRLVHLGD011A00
RGS/RAS048-060 RHS048, RHH 036, RGH/RAH036	CRLVHLGD012A00
RGS/RAS072, RHS072, RGH/RAH048-060 RHH 048-060	CRLVHLGD013A00
RGS/RAS090, 091, RGH/RAH072, RHH 072	CRLVHLGD014A00
RGS/RAS101	CRLVHLGD015A00
RGS/RAS102, RGS/RAS121.120, RGS/RAS150, RGH/RAH090 102, 120, RHH 090-102	CRLVHLGD016A00
RHS060	CRLVHLGD023A00
RHS150	CRLVHLGD024A00
RGS/RAS180, RGH/RAH150, RHH 120	CRLVHLGD032A00

† Round tube plate fin outdoor coil only

PACKAGE CONTENTS

QTY	CONTENTS
1	Outside coil side panel
1	Outside coil end panel
1	Control box side panel*
10	Plastic inserts*
Varies based on kit	Screws


* CRLVHLGD024A00 and 032A00

SAFETY CONSIDERATIONS

Installation and servicing of air-conditioning equipment can be hazardous due to system pressure and electrical components. Only trained and qualified service personnel should install, repair, or service air-conditioning equipment.

Untrained personnel can perform basic maintenance functions of cleaning coils and filters and replacing filters. All other operations should be performed by trained service personnel. When working on air-conditioning equipment, observe precautions in the literature, tags and labels attached to the unit, and other safety precautions that may apply.

Follow all safety codes. Wear safety glasses and work gloves.

Recognize safety information. This is the safety-alert symbol . When you see this symbol on the unit and in instructions or manuals, be alert to the potential for personal injury.

Understand the signal words DANGER, WARNING, and CAUTION. These words are used with the safety-alert symbol. DANGER identifies the most serious hazards which **will** result in severe personal injury or death. WARNING signifies a hazard which **could** result in personal injury or death. CAUTION is used to identify unsafe practices which **may** result in minor personal injury or product and property damage. NOTE is used to highlight suggestions which **will** result in enhanced installation, reliability, or operation.



WARNING

ELECTRICAL OPERATION HAZARD

Failure to follow this warning could result in personal injury or death.

Before performing service and maintenance operations on unit, turn off main power switch to unit. If gas unit, shut off gas supply before shutting off main power.

TAG DISCONNECT SWITCH WITH A SUITABLE LOCK AND WARNING LABEL.

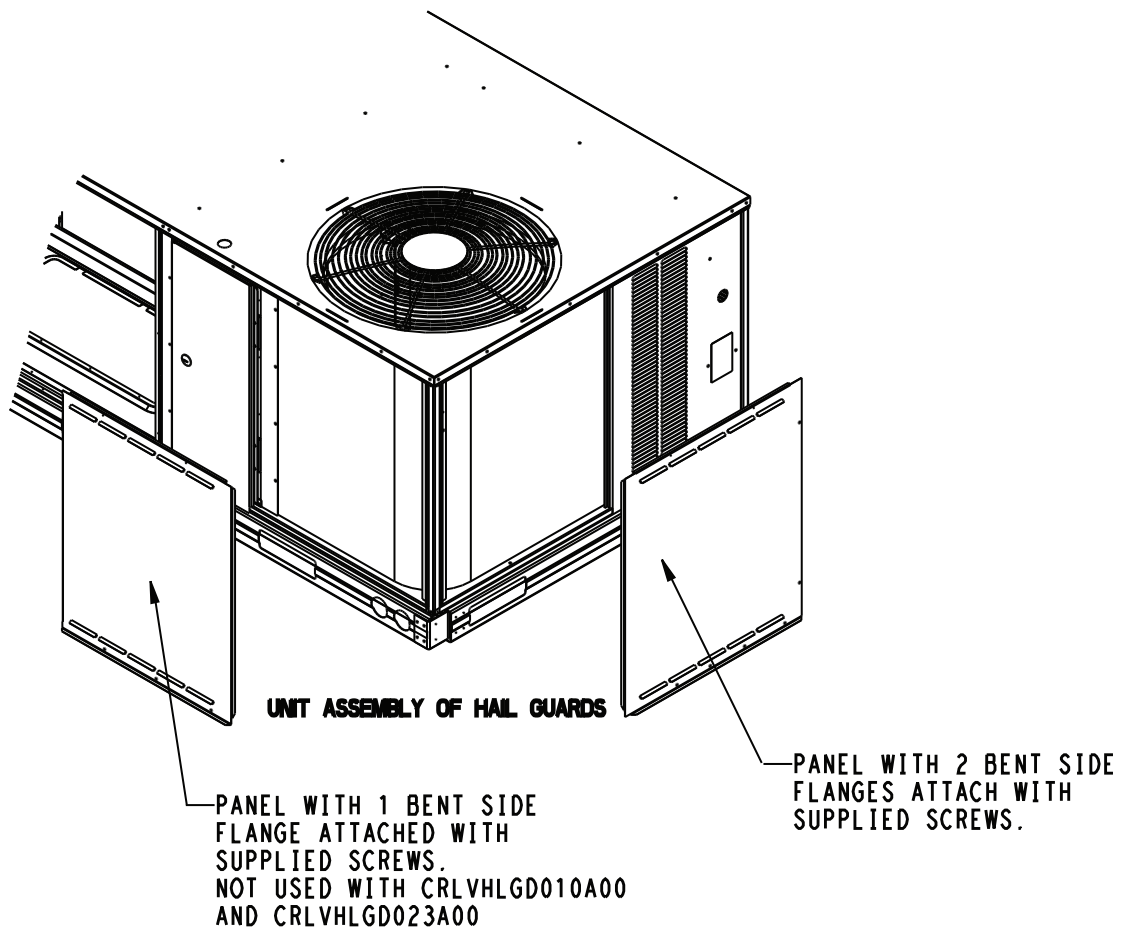
IMPORTANT: Read these instructions completely before attempting to install the accessory louvered hail guard.

GENERAL

Louvered hail guard packages are designed to protect the rooftop unit condenser coil from hail and general contact damage. Excessive damage to rooftop unit outdoor coils can result in diminished performance due to reduced air flow over the heat transfer surfaces.

INSTALLATION (FOR ALL KITS EXCEPT CRLVHLGD024A00 AND 032A00)

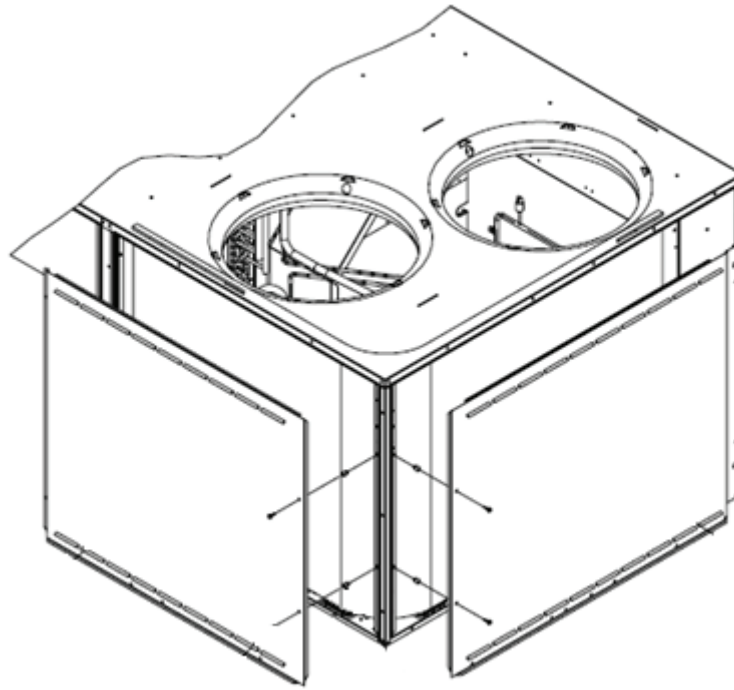
1. Verify the correct hail guard part number is provided for the desired rooftop unit size. See Package Usage section above.
2. Remove the screws in the top panel of the rooftop unit above the condenser coil. Save the screws.
3. Remove the screws at the base of the outdoor coil where the hailguard panel will be installed. Save the screws.
4. Align the hailguard panel with the respective section of the outdoor coil and insert the top edge of the panel under the lip of the top panel. (See Fig. 1.)
5. Re-insert top and bottom screws from Steps 2 and 3 to hold the hailguard in place.
6. Insert side screws from the kit through the holes in the side(s) of the hailguard panels. The provided self tapping screws may be required for these screws.



**Fig. 1 - Typical Louvered Hailguard Installation
(3-5 Ton Unit Shown)**

C12276

PART NUMBER	FILTER PANEL				END PANEL			
	TOP	LEFT	BOTTOM	RIGHT	TOP	LEFT	BOTTOM	RIGHT
CRLVHLGD004A00	2	0	3	0	3	0	7	6
CRLVHLGD011A00	2	0	3	0	2	0	4	2
CRLVHLGD012A00	2	0	3	0	2	0	5	3
CRLVHLGD013A00	2	0	3	0	2	0	5	3
CRLVHLGD014A00	2	0	3	0	3	0	7	5
CRLVHLGD015A00	2	0	3	0	2	0	5	6
CRLVHLGD016A00	2	0	3	0	3	0	7	6
CRLVHLGD020A00	SEE FIG. 2							
CRLVHLGD021A00	SEE FIG. 2							
CRLVHLGD022A00	SEE FIG. 2							
CRLVHLGD023A00	NA				2	0	5	2
CRLVHLGD024A00	SEE FIG. 3							



C13330

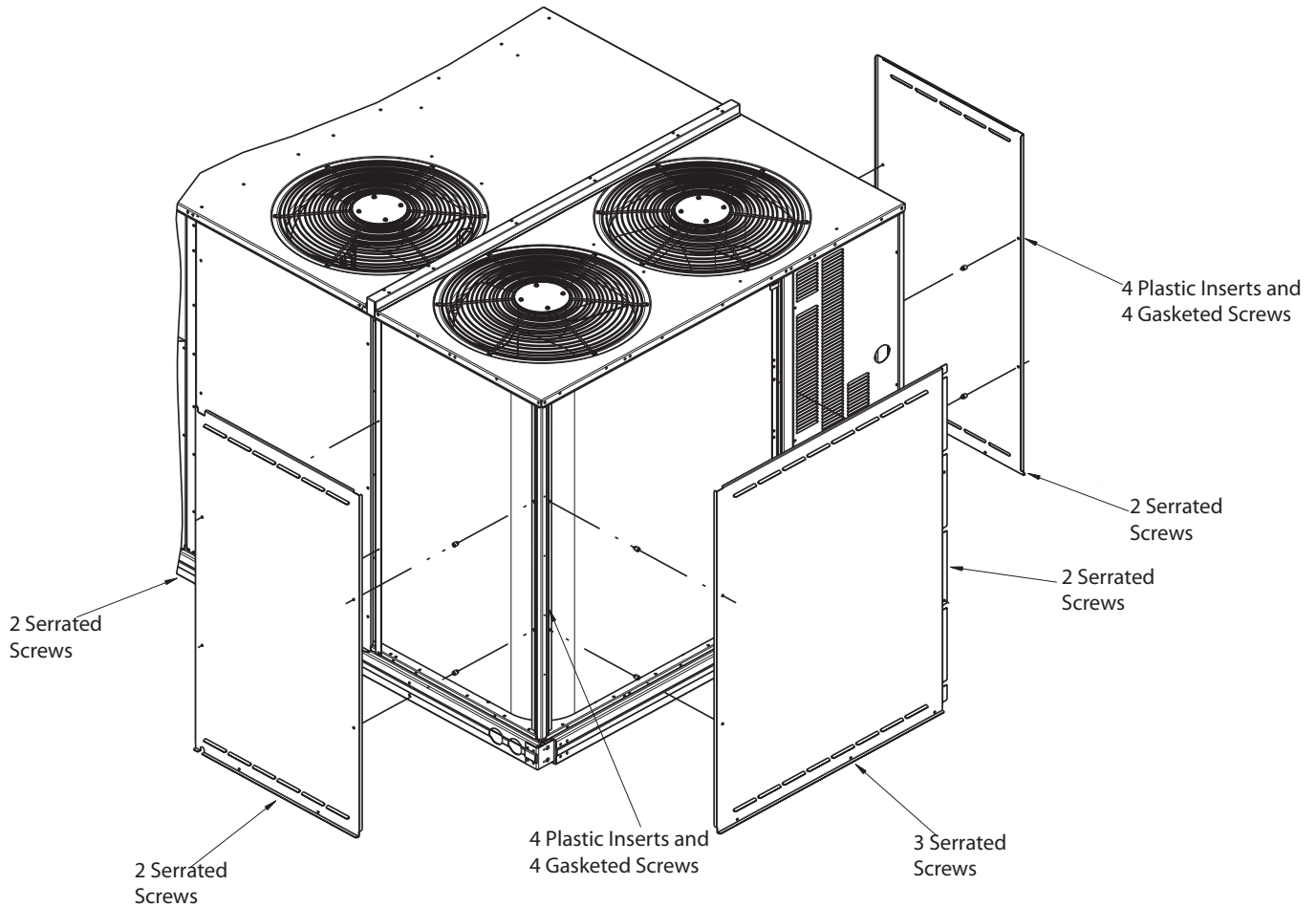
Fig. 2 - CRLVHLGD020A00, 021A00, and 022A00

PART NUMBER	FILTER PANEL				END PANEL			
	TOP	LEFT	BOTTOM	RIGHT	TOP	LEFT	BOTTOM	RIGHT
CRLVHLGD020A00	0	4	4	2*	0	2*	7	2
CRLVHLGD021A00	0	7	6	2*	0	2*	7	4
CRLVHLGD022A00	0	3	3	2*	0	2*	7	3

* Plastic inserts and 7/8-in. long gasketed screws.

INSTALLATION FOR CRLVHLGD024A00, 032A00

1. Verify the correct hail guard part number is provided for the desired rooftop unit size. See Package Usage section above.
2. The units associated with this hailguard kit are shipped with a center post located on the end of the unit. It should have been removed during unit installation. This post is located approximately 1.5' from the left corner post on the end of the unit. Remove this post if it has not been removed already.
3. Insert plastic inserts into both corner posts (6 inserts) and center post (2 inserts) located by the control box as indicated in Fig. 3.
4. Align the hailguard panel with the respective section of the outdoor coil and insert the top edge of the panel under the lip of the top cover.
5. Use the long 7/8 gasketed screws to secure the hail guard in the plastic inserts (8 locations). Use the shorter serrated screws to secure the panels to the remaining holes in the vertical direction. Use shorter serrated screws to secure the panels along the bottom of the panels.



**Fig. 3 - Louvered Hailguard Installation
(CRLVHLGD024A00, 032A00)**

C10528

