

Centennial Oil Furnaces

CHB High Boy

CLB Low Boy

(SERIES 2)

**KEEP THESE INSTRUCTIONS
WITH FURNACE FOR FUTURE
REFERENCE.**



Furnace Manual

Contents	Page
Read this first!	2
1. Prepare furnace location	3
2. Prepare furnace and place in position	6
3. Connect supply and return ducts	8
4. Venting	11
5. Connect fuel oil piping	12
6. Wire furnace and burner	12
7. Start-up	16
8. Checkout procedure	16
9. Troubleshooting	18
10. Service and maintenance	19
11. Components and replacement parts	22
12. Dimensions and ratings	34
13. Owner's information	40

Hazard definitions

▲ DANGER Hazards that **will cause severe** personal injury, death or substantial property damage.

▲ CAUTION Hazards that **will or can cause minor** personal injury or property damage.

▲ WARNING Hazards that **can cause severe** personal injury, death or substantial property damage.

NOTICE Special instructions on installation, operation or maintenance that are important but not related to personal injury or property damage.

▲ WARNING **INSTALLER** – Read all instructions before installing. **Read page 2 first.** Follow all instructions in proper order to prevent personal injury or death.

- Consider ducting, fuel supply, venting and installation when determining furnace location.
- Any claims for damage or shortage in shipment must be filed immediately against the transportation company by the consignee.

▲ WARNING **USER** – Please read the following. Failure to comply could result in severe personal injury, death or substantial property damage.

- **This manual is for the sole use by your qualified heating installer / service technician.**
- Please see the **Owner's information** only, on the back page of this manual.
- Have the furnace serviced by a qualified service technician, at least once a year.

▲ WARNING Do not store or use gasoline or other flammable liquids or vapors near this furnace or any other appliance.

▲ WARNING This manual must only be used by a **qualified heating installer / service technician.** Furnace and burner must be installed and serviced only by a qualified heating installer / service technician. Failure to comply could result in severe personal injury, death or substantial property damage.

▲ CAUTION Ventilate house while operating furnace for the first time. Odors may be emitted for a brief period.

NOTICE When calling or writing about the furnace – Please indicate furnace model number and serial number from rating label. You may list the serial number and model number in the space provided on the "Installation and service certificate" found on page 17.

▲ WARNING Do not alter this furnace in any way. The manufacturer will not be liable for any damage resulting from changes made in the field to the furnace or its components or from improper installation. Failure to comply could result in severe personal injury, death or substantial property damage.

READ THIS FIRST!



Failure to adhere to the guidelines below can result in severe personal injury, death or substantial property damage.

Service and maintenance –

1. To avoid electric shock, disconnect electrical supply before performing maintenance.
2. To avoid severe burns, allow furnace to cool before performing maintenance.
3. Perform service and maintenance as described in this manual and the burner manual.
4. Do not attempt to make adjustments to the blower or motor while the furnace is in operation. Disconnect power to the furnace and be sure all parts have stopped moving before attempting adjustments or maintenance.
5. The burner must be set up and adjusted using combustion test instruments. Visual examination of the flame alone cannot determine combustion performance.

Operation -

6. Do not use the furnace as a construction heater.
7. Do not operate any furnace if the heat exchanger is damaged, corroded or pitted. Toxic flue products could enter the air stream.
8. Do not jumper, attempt to by-pass or override any limit control.
9. Do not block flow of combustion or ventilation air to furnace. Do not block or obstruct the air openings in the furnace casing.
10. Do not store or use combustible materials, gasoline, or other flammable liquids or vapors in the furnace area.
11. Do not operate the furnace if the furnace area will be exposed to air contaminants as described on page 5.
12. Should overheating occur, do not turn off or disconnect electrical supply to furnace. Instead, shut off the oil supply at a location external to the appliance, if possible.
13. Do not use this furnace if any part of it has been under water. Call a qualified service technician immediately, to inspect the furnace and to replace any part of the furnace, control system or burner that was submerged in water.
14. Do not operate furnace if temperature rise through heat exchanger exceeds 85°F.

15. Inspect, clean and replace (if necessary) return air filter regularly.
16. Do not obstruct return air grills or supply air outlets.
17. Supply only #2 fuel oil to the burner. Never attempt to use gasoline, a mixture of gasoline and oil, waste fuel, reused or any other substance in the burner of furnace.

Installation -

18. Do not block flow of combustion or ventilation air to furnace. Do not block or obstruct the air openings in the furnace casing.
19. Connect furnace only to a functional vent system in good condition. Place the furnace to allow proper venting, with the shortest possible venting and minimum number of elbows.
20. Always connect and seal a return air duct to the furnace unless the furnace is located in a large space, such as an unpartitioned basement. Route the return air duct to an adjacent room if no return air manifold is used.
21. Install furnace maintaining minimum clearances for service and separation from combustible surfaces described in this manual.
22. Install, start-up, service and maintain burner per instructions in this manual and the burner manual.
23. Verify burner is properly inserted through the combustion chamber opening.
24. Furnace must be installed so that burner and control system components are protected from dripping, spraying water or rain during operation or service.
25. If installing an air conditioning evaporator coil, install the coil downstream of, or in parallel with, the furnace to prevent condensation on the furnace heat exchanger. If the coil is in parallel, provide means to prevent flow of chilled air into the furnace, including an interlock to prevent simultaneous operation of heating and air conditioning.

NOTICE

Apply the following suggestions to prevent unsatisfactory operation of the furnace.

Installation –

1. Be sure to level the furnace, using a spirit level on the front and one side. If the furnace is not level, oil can drip into the combustion chamber after burner cycling and contaminate the heat exchanger and the burner head.
2. Make sure all legs are in contact with the floor to distribute the load and prevent the possibility of undue noise or vibration.
3. Avoid locating return grills in rooms that may contain undesirable odors.
4. Never locate a return air grill closer than approximately 20 feet from the furnace.
5. Locate the furnace near the center of the supply and return duct systems.
6. Always check the size of the ducts on a replacement installation, particularly if adding air conditioning.

1 Prepare furnace location

Pre-installation checklist

Verify code compliance

- Local, state, provincial, and national codes, laws, regulations and ordinances
- NFPA-31, Installation of Oil-Burning Equipment
- National Electrical Code
- All local codes and/or regulations take precedence over the instructions in this manual and should be followed accordingly.

NOTICE CHB & CLB furnaces, their burners and controls meet safe lighting and other performance criteria when furnace underwent tests specified in Underwriters Laboratories Standard UL727.

Check location and furnace specifications

- Furnace heating capacity
- Space is large enough to provide required clearances
Verify the installation will meet the requirements of this manual:
- Clearances (page 3)
- Combustion/ventilation air openings (page 4)
- Supply air duct (page 8)
- Return air duct (page 8)
- Vent system (page 11)
- Fuel oil piping (page 12 plus burner manual)
- Electrical connection (page 12)

Clearances

Minimum clearance to combustible materials

1. Install the furnace, ductwork and vent such that no combustible surface is closer than listed in Table 1.

NOTICE Flue pipe clearances must take precedence over jacket clearances (listed below).

Service accessibility clearances

1. Provide no less than the minimum clearances given in Table 1 to ensure the furnace can be properly operated, serviced and maintained.
2. Always apply whichever clearance is **LARGER** – combustible construction or service accessibility.

Flooring and foundation

Flooring

CHB & CLB furnaces are approved for installation on combustible flooring, but must never be installed on carpeting.

WARNING Do not install furnace on carpeting even if foundation is used. Fire can result, causing severe personal injury, death or substantial property damage.

Foundation

1. Provide a solid brick or minimum 2 inch thick concrete foundation pad if any of the following is true:
 - The floor can become flooded.
 - The furnace mounting area is not level.

Residential garage installations

Take the following special precautions when installing the furnace in a residential garage. If the furnace is located in a residential garage:

- Mount the furnace a minimum of 18 inches above the floor of the garage.
- Locate or protect the furnace so a moving vehicle cannot damage it.

Table 1 Minimum clearances

Minimum clearances from furnace, duct work and vent				
Service accessibility clearances are recommended minimum dimensions to allow access to furnace components (motor, blower, filters, etc.).	CHB-105/140 Furnaces		CLB-105/140 Furnaces	
	To combustible construction	For service accessibility	To combustible construction	For service accessibility
Top of plenum to ceiling	1"		1"	
Above warm air duct within 6' of furnace	1"		1"	
Front of furnace	18" (alcove)	18"	18" (alcove)	18"
Flue pipe or barometric d.c. to any surface	9" (note 1)	18"	9" (note 1)	18"
Rear of furnace	0"		0"	
Side of furnace	0"		0"	
Warm air plenum to wall	1"		1"	
Combustible floor	0"		0"	

Note 1 : Single wall metal vent (or barometric draft control) can be no closer than 9" to any combustible surface. Apply requirements of NFPA 31 and local codes to reduce clearance using double-wall vent pipe and/or protective insulation between the flue pipe or barometric draft control and combustible surfaces. Minimum clearance when using Type L double-wall vent pipe is 6".

1 Prepare furnace location (continued)

Air for combustion and ventilation

▲WARNING Adequate combustion and ventilation air ensures proper combustion and reduces risk of severe personal injury or death from possible flue gas leakage and carbon monoxide emissions.

▲WARNING Do not install exhaust fan in furnace room.

Consider building construction

Older buildings with single-pane windows, minimal weather-stripping and no vapor barrier often provide enough natural infiltration and ventilation without dedicated openings.

New construction or remodeled buildings are most often built tighter. Windows and doors are weather-stripped, vapor barriers are used and openings in walls are caulked. As a result, such tight construction is unlikely to allow proper natural air infiltration and ventilation.

For buildings with tight construction, provide openings directly to outside or to a ventilated crawl space or attic. Size the openings to the same specifications as for the furnace location per the following paragraphs.

Follow state, provincial or local codes when sizing adequate combustion and ventilation air openings. In absence of codes, use the following guidelines when furnace is in a confined room (defined by NFPA 31 as less than 7200 cubic feet per 1 GPH input of all appliances in area. A room 8 ft. high x 30.0 ft. x 30.0 ft. is 7200 cu. ft.).

Provide two permanent openings

Opening locations

One within 12 inches of ceiling, one within 12 inches of floor. Minimum height or width dimension of each rectangular opening should be at least 3 inches.

When inside air is used

Each opening must freely connect with areas having adequate infiltration from outside. Each opening should be at least 140 sq. in. per 1 GPH input (1 sq. in. per 1000 BTU input) of all fuel-burning appliances plus requirements for any equipment that can pull air from room (including clothes dryer and fireplace).

When outside air is used

Connect each opening directly, by way of ducts to the outdoors, or to crawl or attic space that freely connects with outdoors. Size per below:

- Through outside wall or vertical ducts – at least 35 sq. in. per 1 GPH input (1 sq. in. per 4000 BTU input) of all fuel burning appliances plus requirements for any equipment that can pull air from room (including clothes dryer and fireplace).
- Through horizontal ducts – at least 70 sq. in. per 1 GPH furnace input (1 sq. in. per 2000 BTU input) of all fuel-burning appliances plus requirements for any equipment that can pull air from room (including clothes dryer and fireplace).
- Where ducts are used, they should have the same cross-sectional area as free area of openings to which they connect. Compensate for louver, grille or screen blockage when calculating free air openings. Refer to the manufacturers' instructions for details. If unknown, use:

- Wood louvers, which provide 20-25% free air.
- Metal louvers or grilles, which provide 60-75% free air.

Lock louvers in open position or interlock with equipment to prove open before furnace operation.

Basement installations

When the furnace is located in an unconfined space, such as an unpartitioned basement, adequate air should normally be available without additional openings. An unconfined space is defined as one having no less than 50 cubic feet room volume per 1,000 BTU/h input of all appliances in the space.

If the house is of tight construction, provide air openings to the basement directly from outside or from a ventilated attic. Size the openings as described above under "When outside air is used".

Closet installations – special NOTICE

Openings in closet doors

Provide TWO openings – one within 6 inches of top of closet door, the other within 6 inches of the bottom of closet door.

EACH opening must be at least 24 inches wide by 12 inches high.

▲WARNING Advise homeowner that the openings to the closet must never be obstructed or blocked in any way. Failure to provide adequate air for combustion and ventilation could result in severe personal injury, death or substantial property damage.

1 Prepare furnace location (continued)

Air contamination

Please review the following information on potential combustion air contamination problems.

See Table 2 for products and areas that may cause contaminated combustion air.



To prevent the potential of severe personal injury or death, check for products or areas listed below before installing furnace. If any of these contaminants are found:

- Remove contaminants permanently.
- OR-
- Isolate furnace and provide outside combustion air. See national, provincial or local codes for further information.

Table 2 Corrosive contaminants and likely locations

Products to avoid
Spray cans containing chloro/fluorocarbons
Permanent wave solutions
Chlorinated waxes/cleaners
Chlorine-based swimming pool chemicals
Calcium chloride used for thawing
Sodium chloride used for water softening
Refrigerant leaks
Paint varnish removers
Hydrochloric acid/muriatic acid
Cements and glues
Antistatic fabric softeners used in clothes dryers
Chlorine-type bleaches, detergents, and cleaning solvents found in household laundry rooms
Adhesives used to fasten building products and other similar products
Areas likely to have contaminants
Dry cleaning/laundry areas and establishments
Swimming pools
Metal fabrication plants
Beauty shops
Refrigeration repair shops
Photo processing plants
Auto body shops
Plastic manufacturing plants
Furniture refinishing areas and establishments
New building construction
Remodeling areas
Garages with workshops

2 Prepare furnace and place in position

Inspect & prepare furnace

Remove furnace from carton

Remove the furnace from its shipping carton and inspect thoroughly. Remove access panels to inspect the furnace interior.

NOTICE

Immediately file a claim with the transportation company if you discover concealed damage.

WARNING

Do not install or attempt to operate the furnace if the heat exchanger, burner or controls have been damaged. Immediately contact your furnace supplier. Operating a damaged furnace could result in severe personal injury, death or substantial property damage.

Prepare furnace (CHB models)

CHB furnaces require cutting the return air opening into one side of the furnace. Carefully cut the opening on the correct side of the furnace, using the four knockouts on the side as guides.

Prepare burner

Remove the burner from its shipping carton and inspect thoroughly. Read the burner manual and follow instructions for preparing and installing the burner.

Install the correct nozzle for the required firing rate, using the burner manual and the information in Section 12 of this manual. Follow the burner manual instructions for nozzle installation. Verify the correct setting of electrodes after the nozzle and burner oil tube assembly are in place.

Openings in walls, floor & ceiling

General

Ensure that the finished door opening to the furnace room is large enough to install and remove the furnace, water heater or any other appliances in the room.

Before placing furnace in a closet or small room, cut all openings required in floor, ceiling or walls for ducts and vent. This will simplify the work and prevent construction dust from entering the furnace heat exchanger.

WARNING

Verify that all clearances to combustible construction and for service accessibility will be met. The vent must be no closer than 18 inches to any combustible surface, unless a type "L" double-wall vent pipe is used or the vent is constructed per NFPA 31 requirements. Provide a ventilated thimble per all applicable codes where the vent pipe passes through a wall or ceiling. Failure to comply could result in severe personal injury, death or substantial property damage.

Duct locations and sizing

Verify that the size of the supply and return duct system is sufficient for the application. The pressure drop through the duct system must not exceed 0.25" water column.

Openings in walls, floor... (Continued)

The total drop through the duct system and air conditioning evaporator coil (if used) must not exceed 0.5" water column.

See suggested duct sizing in this manual. For more detailed sizing information refer to ACCA Manual D.

Return air duct

You must install a return air duct, sealed to the furnace, even if no return manifold is used. The only exception is when the furnace is located in a large unpartitioned room, such as a basement. (A room whose volume is at least 50 cubic feet per 1,000 BTU/h input of all appliances in the room is considered large). For large rooms, return air may be taken directly at the furnace, without a return air duct. No return air register should be within 20 feet of the furnace.

Cut the required opening for the return air duct in the wall (or floor or ceiling) of the room before placing the furnace.

Install filter

Install return air filter of the size listed in Section 12.

You will need to install a filter rack provided with the furnace for Model CHB only.

NOTICE

Verify that the filter will be easily accessible for removal after the furnace is in place.

Install furnace and burner

Place furnace

Place the furnace in the desired location. Measure clearances and verify per page 3 of this manual.

Using a spirit level on the front and one side of the furnace, level it, using the 4 or 6 leveling legs. Make sure each of the legs is firmly in contact with the floor.

Inspect combustion chamber

Inspect the combustion chamber. Verify that it is in good condition and correctly positioned inside the heat exchanger. The burner opening in the chamber must align with the burner heat exchanger opening.

WARNING

The combustion chamber is constructed of ceramic fiber materials. See the WARNING information on page 20 of this manual. Comply with these instructions when handling any ceramic fiber or fiberglass materials. Failure to adhere to these guidelines could result in severe personal injury or death.

Insert burner

Following the burner manual instructions, install the burner and its gasket in the burner opening. Make sure the burner passes through the opening in the combustion chamber and does not protrude more than ¼ inch into the chamber.

Secure the burner in place with the three nuts and washers provided. Wire and pipe fuel to the burner, as per the burner manual and this manual.

Blocked Vent Shut-Off (BVSO) for chimney venting (OPTIONAL)

▲WARNING It is imperative that this device be installed by a qualified agency.

This device is designed to detect the insufficient evacuation of combustion gases in the event of a vent blockage. In such a case the thermal switch will shut down the oil burner. The device will then need to be re-armed MANUALLY.

In the event that the BVSO repetitively shuts down the oil burner, a qualified technician needs to evaluate the cause of this shut down.

Refer to the figures 3 to 5 at section 6, Wiring Diagrams and detailed instructions supplied with the BVSO for the installation and wiring procedures.

It is also essential the the BVSO be maintained annually. For more details refer to the instructions supplied with the device itself, as well as the Maintenance Section.

Figure 1
Blocked Vent Shut-Off device wiring
Installation : Upflow with Vertical exhaust
(Optional)

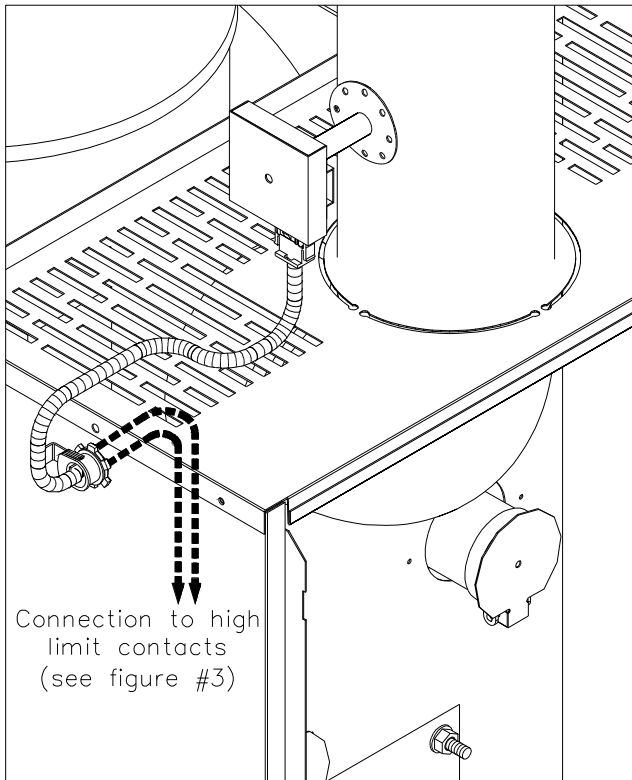
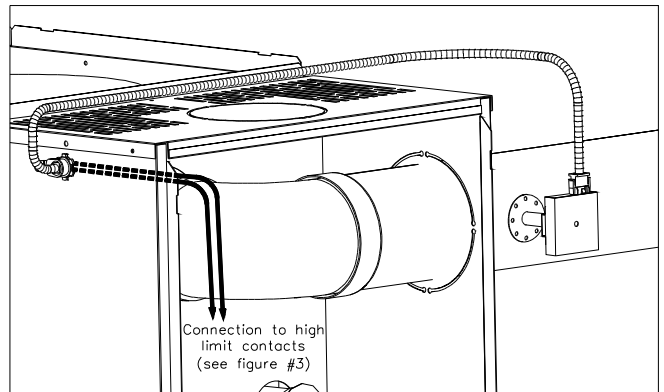


Figure 2
Blocked Vent Shut-Off device wiring
Installation : Upflow with Horizontal exhaust
(Optional)



3 Connect supply and return ducts

Duct sizing

Determine airflow CFM

The temperature rise through the furnace must not exceed 85°F, but should be at least 55°F for comfort. When calculating airflow, assume a temperature rise of 70°F.

The noticeable temperature change for cooling would be approximately 27-30°F. Actual temperature change will be approximately 18-21°F due to humidity of the air.

To calculate noticeable heat temperature change (ΔT), you can use the formula:

$$\Delta T = \text{BTU/h} / (1.1 \times \text{CFM}) \quad \text{Eq. 3-1}$$

To calculate air flow when you know temperature change (ΔT), you can use:

$$\text{CFM} = \text{BTU/h} / (1.1 \times \Delta T) \quad \text{Eq. 3-2}$$

You can estimate air flow using the following rules of thumb:

- Heating: **14 CFM per 1,000 BTU/h** output Eq. 3-3
- Cooling: **400 CFM per ton** air conditioning Eq. 3-4

Determine the required airflow based on whichever is larger: heating mode or air conditioning mode.

Examples:

- What would the temperature rise be for a 100,000 BTU/h output furnace with an airflow rate of 1200 CFM?

Use Equation 3-1 since you know CFM and BTU/h:

$$\Delta T = 100,000 / (1.1 \times 1200) = 76^\circ\text{F}$$

- The temperature rise would be 76°F.
- If the air enters the furnace at 70°F, it would leave the furnace at 70°F + 76°F = 146°F.

- What would the airflow be to obtain a 70°F rise through a 120,000 BTU/h output furnace?

Use equation 3-2 since you know ΔT and BTU/h:

$$\text{CFM} = 120,000 / (1.1 \times 70) = 1,558 \text{ CFM}$$

- The air flow would have to be 1,558 CFM to obtain a temperature rise of 70°F.

- Estimate the required airflow for a 75,000 BTU/h output furnace installed with a 2-ton air conditioning evaporator coil.

Heating mode air flow (use Equation 3-3):

$$\text{CFM} = 75 \times 14 = 1,050 \text{ CFM}$$

Cooling mode air flow (use Equation 3-4):

$$\text{CFM} = 2 \times 400 = 800 \text{ CFM}$$

- The larger number is 1,050 CFM (heating), so the duct system should be sized for 1,050 CFM.
- The supply duct would need to be 16" round or a rectangular equivalent such as 8" x 25" or 12" x 18", using Table 4.

- Estimate the required airflow for the same furnace installed with a 4-ton air conditioning evaporator coil.

Heating mode airflow is still 1,050 CFM.

Cooling mode air flow (use Equation 3-4):

$$\text{CFM} = 4 \times 400 = 1,600 \text{ CFM}$$

- The larger number is 1,600 CFM (cooling), so the duct system should be sized for 1,600 CFM.
- The supply duct would need to be 18" round or a rectangular equivalent such as 8" x 36" or 12" x 23", using Table 4.

CAUTION

Always check the size of existing ducts, particularly if you are adding air conditioning. The air pressure loss through the cooling evaporator coil reduces available airflow. If the ducts are too small as well, the system may not work satisfactorily on either heating or cooling.

Determine duct dimensions

Table 4 page 9 and Table 5 page 10, provide typical round and rectangular duct sizes for rectangular and flat oval galvanized ducts. Do not apply these tables to size ductwork if the total equivalent length of the duct exceeds approximately 100 feet. For longer systems or for duct board, fiberglass-lined or flexible duct sizing, use the ACCA Manual D or the ACCA duct sizing slide rule. These tables are based on pressure loss of approximately 0.10" water column per 100 feet equivalent length of duct.

Use Table 3 below to size or check sizing of take-offs to supply registers or return grills.

Verify the size and type of registers, diffusers and grills from the manufacturer's ratings. Do not exceed the recommended flow rate. The pressure drop allowance for each should not exceed approximately 0.05" water column.

Install a return air filter, sized per specifications in Section 12.

Use only a return air filter mounted to the furnace. Do not add additional filters unless the duct system is carefully sized to allow for the additional pressure drop.

Table 3 Suggested maximum flow to runouts

TAKE-OFF SIZE (Inches)	CFM	
	SUPPLY	RETURN
Sheet metal or ductboard		
5 Round	60	45
6 Round	100	75
7 Round	140	110
8 Round	210	160
3 ¼ x 8 Stack	70	55
3 ¼ x 10 Stack	100	75
3 ¼ x 14 Stack	140	110
2 ¼ x 12 Stack	70	55
2 ¼ x 14 Stack	90	70
Flexible duct (keep bends to minimum)		
6 Round	55	40
8 Round	120	90
10 Round	200	160
12 Round	320	250
14 Round	480	375
16 Round	660	530
18 Round	880	680
20 Round	1200	900

3 Connect supply and return ducts (continued)

Duct sizing (continued)

Table 4 Typical duct sizing for systems not over 100 feet equivalent length – round or rectangular galvanized

Typical duct sizing																		
(For approximately 0.10 inch w.c. in a typical residential installation of galvanized metal duct)																		
CFM	Round duct diameter (inches)	Rectangular duct equivalent sizes																
		Minimum width (inches) for duct heights (inches) of :																
		4	5	6	7	8	9	10	12	14	16	18	20	22	24	26	28	30
		x	x	x	x	x	x	x	x	x	x	x	x	x	x	x	x	x
45	4	4	4	4	-	-	-	-	-	-	-	-	-	-	-	-	-	-
65	5	6	5	4	4	-	-	-	-	-	-	-	-	-	-	-	-	-
100	6	8	6	5	5	4	4	-	-	-	-	-	-	-	-	-	-	-
150	7	12	9	7	6	5	5	5	4	4	-	-	-	-	-	-	-	-
200	8	14	11	9	8	7	6	6	5	4	4	-	-	-	-	-	-	-
250	9	18	13	10	9	8	7	6	6	5	5	4	4	-	-	-	-	-
300	9	20	15	12	10	9	8	7	6	6	5	5	4	4	-	-	-	-
400	10	26	19	15	13	11	10	9	8	7	6	6	5	5	5	4	4	-
500	12	32	23	18	15	13	12	11	9	8	7	6	6	6	5	5	5	5
600	12	38	28	22	18	15	13	12	10	9	8	7	7	6	6	6	5	5
700	12	46	32	25	20	17	15	14	11	10	9	8	7	7	7	6	6	6
800	14	52	36	28	23	19	17	15	13	11	10	9	8	8	7	7	6	6
900	14	58	41	31	25	21	19	17	14	12	11	10	9	8	8	7	7	7
1000	16	64	45	34	28	23	20	18	15	13	11	10	9	9	8	8	7	7
1100	16	72	49	38	30	25	22	19	16	14	12	11	10	9	9	8	8	7
1200	16	-	54	41	33	27	24	21	17	15	13	12	11	10	9	9	8	8
1300	16	-	58	44	35	29	25	22	18	16	14	12	11	10	10	9	9	8
1400	18	-	63	47	38	31	27	24	19	16	14	13	12	11	10	10	9	9
1500	18	-	68	51	40	34	29	25	20	17	15	14	12	12	11	10	10	9
1600	18	-	72	54	43	36	30	27	21	18	16	14	13	12	11	11	10	9
1700	18	-	-	58	45	38	32	28	23	19	17	15	14	13	12	11	10	10
1800	18	-	-	61	48	40	34	29	24	20	17	16	14	13	12	11	11	10
1900	20	-	-	64	51	42	35	31	25	21	18	16	15	14	13	12	11	11
2000	20	-	-	68	53	44	37	32	26	22	19	17	15	14	13	12	12	11
2200	20	-	-	-	59	48	41	35	28	23	20	18	16	15	14	13	12	12
2400	22	-	-	-	64	52	44	38	30	25	22	19	17	16	15	14	13	12
2600	22	-	-	-	69	56	47	41	32	27	23	21	19	17	16	15	14	13
2800	22	-	-	-	-	61	51	44	34	29	25	22	20	18	17	15	15	14
3000	22	-	-	-	-	65	54	47	37	30	26	23	21	19	17	16	15	14
3500	24	-	-	-	-	-	63	54	42	34	29	26	23	21	19	18	17	16
4000	26	-	-	-	-	-	72	61	47	39	33	29	26	23	21	20	19	18

WARNING Do not apply this table for duct systems over approximately 100 equivalent feet length. For longer systems or systems using other duct materials, refer to ACCA Manual D. Incorrectly sizing duct systems can result in unsafe or uncomfortable operation.

3 Connect supply and return ducts (continued)

Duct sizing (continued)

Table 5 Typical duct sizing for systems not over 100 feet equivalent length – round or flat oval galvanized

Typical duct sizing														
(For approximately 0.10 inch w.c. in a typical residential installation of galvanized metal duct)														
CFM	Round duct diameter (inches)	Flat oval duct equivalent sizes												
		Minimum width (inches) for duct heights (inches) of :												
		3	4	5	6	7	8	9	10	12	14	16	18	20
		x	x	x	x	x	x	x	x	x	x	x	x	x
45	4	6	5	-	-	-	-	-	-	-	-	-	-	-
65	5	8	6	-	-	-	-	-	-	-	-	-	-	-
100	6	11	8	7	-	-	-	-	-	-	-	-	-	-
150	7	16	11	9	8	-	-	-	-	-	-	-	-	-
200	8	21	15	11	10	8	-	-	-	-	-	-	-	-
250	9	26	18	14	11	10	9	-	-	-	-	-	-	-
300	9	30	20	16	13	11	10	-	-	-	-	-	-	-
400	10	40	26	20	16	14	12	11	-	-	-	-	-	-
500	12	49	32	24	19	16	14	13	12	-	-	-	-	-
600	12	59	38	28	22	19	16	15	13	-	-	-	-	-
700	12	69	44	32	25	21	18	16	15	13	-	-	-	-
800	14	-	50	36	29	24	20	18	16	14	-	-	-	-
900	14	-	56	41	32	26	22	20	18	15	-	-	-	-
1000	16	-	63	45	35	29	24	22	19	17	15	-	-	-
1100	16	-	69	49	38	31	26	23	21	18	16	-	-	-
1200	16	-	75	53	41	33	28	25	22	19	17	-	-	-
1300	16	-	-	58	44	36	30	26	24	20	18	-	-	-
1400	18	-	-	62	47	38	32	28	25	21	18	17	-	-
1500	18	-	-	66	50	41	34	30	26	22	19	18	-	-
1600	18	-	-	71	54	43	36	31	28	23	20	18	-	-
1700	18	-	-	-	57	46	38	33	29	24	21	19	-	-
1800	18	-	-	-	60	48	40	35	31	25	22	20	-	-
1900	20	-	-	-	63	50	42	36	32	26	23	21	19	-
2000	20	-	-	-	67	53	44	38	33	27	24	21	20	-
2200	20	-	-	-	73	58	48	41	36	29	25	23	21	-
2400	22	-	-	-	-	63	52	44	39	32	27	24	22	21
2600	22	-	-	-	-	68	56	48	42	34	29	25	23	22
2800	22	-	-	-	-	-	60	51	44	36	30	27	24	23
3000	22	-	-	-	-	-	64	54	47	38	32	28	26	24
3500	24	-	-	-	-	-	-	63	54	43	36	32	28	26
4000	26	-	-	-	-	-	-	71	61	48	40	35	31	29

⚠ WARNING Do not apply this table for duct systems over approximately 100 equivalent feet length. For longer systems or systems using other duct materials, refer to ACCA Manual D. Incorrectly sizing duct systems can result in unsafe or uncomfortable operation.

4 Venting

General venting requirements

⚠ WARNING

Failure to follow all instructions can result in flue gas spillage and carbon monoxide emissions, causing severe personal injury or death.

⚠ DANGER

Inspect existing chimney before installing furnace. Clean chimney thoroughly. Replace or repair chimney if visual inspection indicates chimney may be unsuitable for use. Insufficient draft can cause flue gas leakage and carbon monoxide emissions. Failure to clean or replace perforated pipe or tile lining and/or patch mortar and joints can cause severe personal injury or death.

- CHB & CLB furnaces are designed to operate with an over-fire draft of -0.01" to -0.02" w.c. Proper draft for these oil furnaces may be achieved using either a conventional chimney (natural draft) or a power vent (sidewall) system that has been properly designed for use with oil-fired equipment. Power vent manufacturer's instructions must be followed.
- Use vent material approved by local codes for oil-fired burners. In their absence, refer to:
 - NFPA 31, Installation of Oil-Burning Equipment.
 - NFPA211, Standard for Chimneys, Fireplaces, Vents and Solid Fuel Burning Appliances.
 - In Canada, refer to CSA B139, Installation Code for Oil-Burning Equipment.
 - NFPA-211 requires chimney to be lined before being connected to furnace.
- To prevent downdrafts, extend chimney at least 3 feet above highest point where it passes through roof and 2 feet higher than any portion of building within 10 feet. Increase chimney cross-sectional area and height at least 4% per 1,000 feet above sea level.
- Provide minimum clearances from vent (flue) pipe to combustible material:
 - Single-wall vent – 18 inches minimum
 - Type "L" double-wall vent – 6 inches minimum
- Provide a chimney no smaller than that listed in Table 6.

NOTICE

Oversized chimneys, outside masonry chimneys and/or derated inputs can result in condensation in chimney. Relining an outside masonry chimney may be needed to avoid condensation, downdrafts and damage to masonry surfaces.

Connect venting

⚠ WARNING

Long horizontal vent runs, excessive number of tees and elbows, or other obstructions restricting combustion gas flow can result in the possibility of condensation, flue gas leakage and carbon monoxide emissions, which can lead to severe personal injury or death.

1. The horizontal vent must slope upwards, away from the furnace, a minimum of ¼ inch per foot.
2. Connect full-sized venting when possible. See Table 6.
3. Connection must be made above bottom of chimney to avoid blockage. Vent pipe must not enter chimney far enough to cause obstruction. Use thimble or slip joint where vent pipe enters chimney to allow removal for cleaning.

Connect venting (continued)

4. When burner and furnace are properly installed, draft overfire will be approximately -0.01" to -0.02" w.c. Install barometric control in vent, per control manufacturer's instructions, when excess draft needs to be relieved or to comply with applicable codes and regulations. Use draft gauge to adjust proper opening.
5. An induced draft fan for the chimney may be necessary if:
 - Excessive resistance to flow of combustion gases can be expected.
 - Cross-sectional area of chimney is smaller than minimum recommended.
 - Chimney height is less than recommended.
 - When using induced draft fan, seal all vent joints and interlock burner with fan operation.

Table 6 Minimum chimney / vent size

Furnace model number	Minimum vent diameter	Minimum chimney size		Minimum chimney height
		Rectangular (minimum inside dimensions)	Round	
CHB/CLB-105	6"	6" x 6"	6"	15'
CHB/CLB-140	7"	6" x 6"	6"	15'

Vent dampers

⚠ WARNING

Do not install a thermal-type vent damper on this furnace. Failure to comply could result in severe personal injury, death or substantial property damage.

NOTICE

If a vent damper is required, use only a motorized one, installed and wired in the furnace according to the vent damper manufacturer's instructions.

Barometric draft control

Install a barometric control in the vent, as per the manufacturer's instructions, when excess draft needs to be relieved or to comply with applicable codes and regulations. Use draft gauge to adjust proper opening.

1. Install a barometric draft control in the vent pipe at least one foot from the furnace vent connection, preferably in the highest part of the vent pipe before the vent enters the chimney. If headroom does not provide enough clearance to locate the control at least one foot from the vent connection, install an elbow at the furnace and mount the control in an horizontal pipe at least one foot from the elbow. Install an elbow after the control to turn vertically.
2. To operate correctly, the barometric draft control must be located in the same room as the furnace.
3. Ensure that the barometric draft control is accessible. Adjust the damper to obtain the correct overfire draft, as described in this manual and the burner manual.

5 Connect fuel oil piping

General oil piping requirements

- Location and installation of oil tanks, oil piping and burners must follow:
 - NFPA 31, Standard for the Installation of Oil-Burning Equipment.
 - In Canada, CSA B139, Installation of Oil-Burning Equipment.
 - Local codes and regulations.
 - Information provided with burner and fuel pump.
- If any part of the fuel oil tank is above burner level, an anti-siphon device must be used to prevent the flow of oil in case of an oil line break.
- Support oil lines as required by codes.
- Make tank connections with swing joints or copper tubing to prevent breakage, in case the tank settles. Make swing joints so they will tighten as tank settles. Non-hardening pipe joint compounds should be used on all threads.

▲WARNING Do not use Teflon tape as an oil pipe sealant. It can cause valves to fail, creating hazards. Use only flare fittings. Do not use compression fittings. Failure to comply could result in severe personal injury, death or substantial property damage from oil leakage and/or fire hazard.

- Underground pipe must be run in a casing to prevent oil leaking into the ground or under the floor. Check local codes for information.

Oil piping connection at burner

- Connect oil line to burner using a flare fitting.

▲WARNING Use of any connection other than a flare fitting at the oil connection to the burner could result in a fuel oil leak, with the potential for severe personal injury, death or substantial property damage.

- See local codes for appropriate arrangement and piping of filter, control valves, etc. connecting to oil tank.
- Refer to burner manual for oil system requirements. Verify that suction lift does not exceed stated limit. Where lift exceeds limit for a one-pipe system, use a two-pipe system as directed in burner manual.

6 Wire furnace & burner

▲WARNING Electric shock hazard. It can cause severe personal injury or death if power sources, including the service switch on the furnace, are not disconnected before installation or servicing.

Wire burner

The burner harness is factory-wired to the furnace. Plug the burner harness into the matching burner connector. Refer to the wiring diagrams on pages 14 and 15 for further information.

Install and wire thermostat

Locate the room thermostat on an interior wall in the natural circulating path of room air. Do not locate thermostat so it is exposed to cold air infiltration, drafts from windows or doors, air currents from supply or return air registers, behind obstructions, on a shelf, in a closet, or in a corner.

Ensure the thermostat won't be exposed to heat from nearby fireplace, radio, television, lamp or rays from the sun. Do not mount thermostat on a wall over a supply or return duct, chimney or vent.

Wire thermostat to furnace and set thermostat anticipator as shown on wiring diagrams, pages 14 and 15.

Connect power wiring

All wiring must conform to:

- National Electrical Code, ANSI/NFPA 70, latest edition and any additional national, state or local codes.
- In Canada, CSA C22.1 Canadian Electrical Code Part One and any local codes.
- Wiring must be N.E.C. Class 1. If original wire, as supplied with the furnace, must be replaced, type 105°C wire or equivalent must be used. Supply wiring to furnace must be sized for the load required (see Section 12).
- Provide electrical ground at furnace as required by codes.

Connect 120 VAC/60 Hertz, single phase separate electrical line from the main house panel to the power leads in the furnace electrical box as shown on wiring diagrams on pages 14, and 15. Provide a fused disconnect in the power wiring, following all local codes.

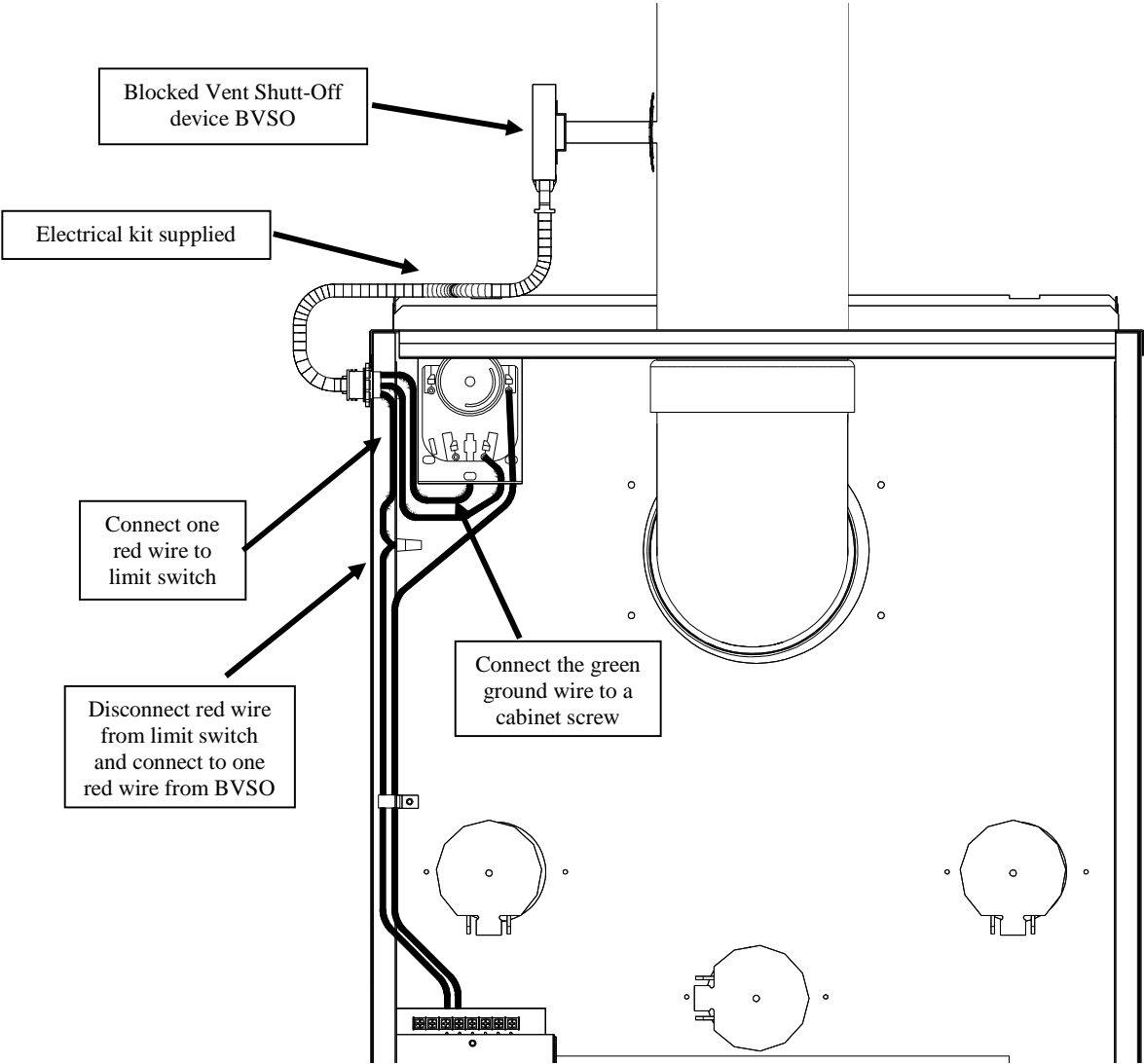
Ensure the wire size and type are adequate for the electrical load (see Section 12 and furnace nameplate for value).

Limit control

The furnace is equipped with a fan switch/limit control. This control limits the air leaving the heat exchanger to 200°F or less. The fan switch continues fan operation until the air drops to a preset temperature. For most installations, set the blower ON setting at 110°F and blower OFF setting at 90°F. If a longer cool down period is desired, lower the OFF setting.

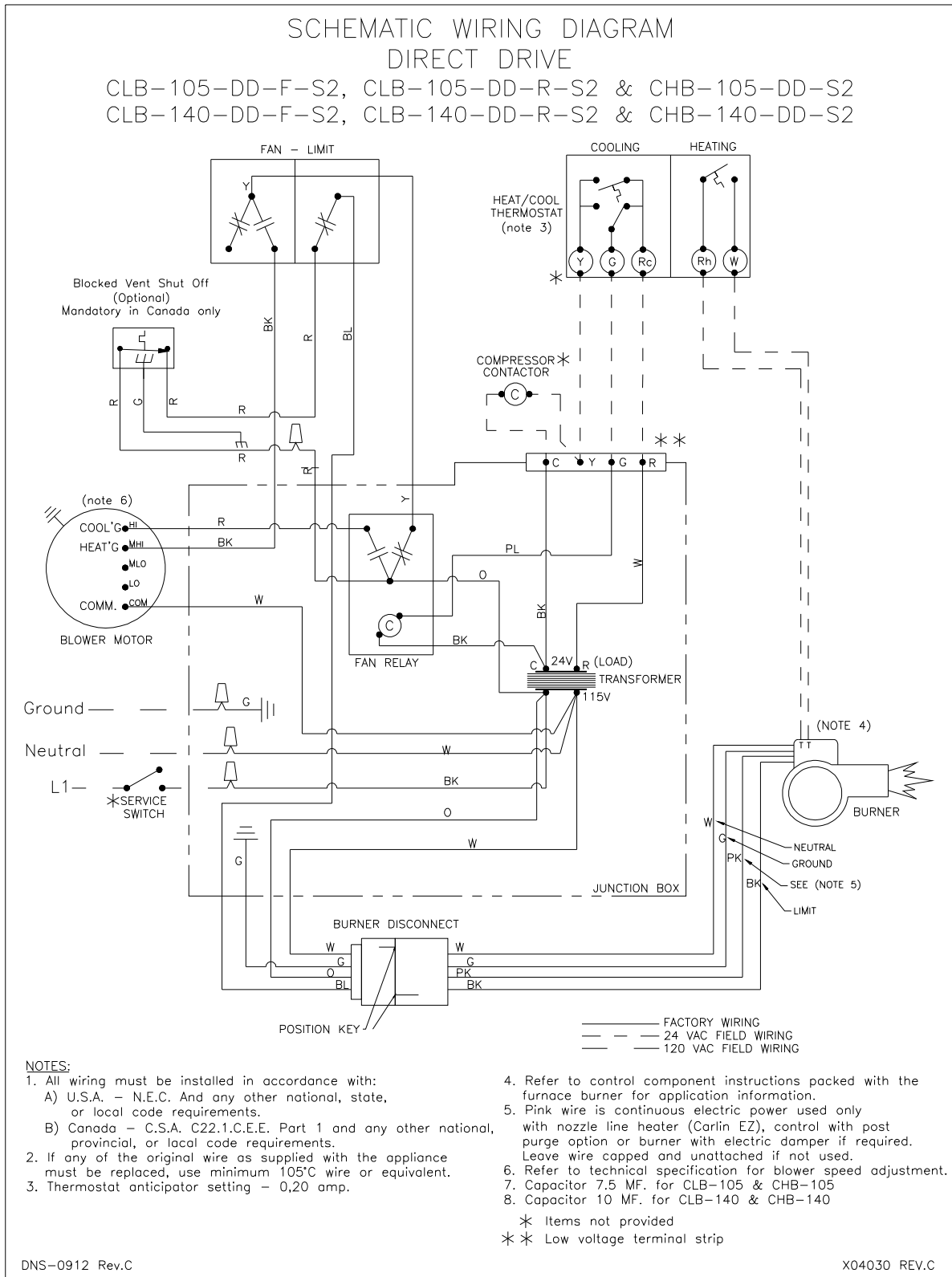
6 Wire furnace & burner (continued)

Figure 3
Blocked Vent Shut-Off device wiring
(Optional)



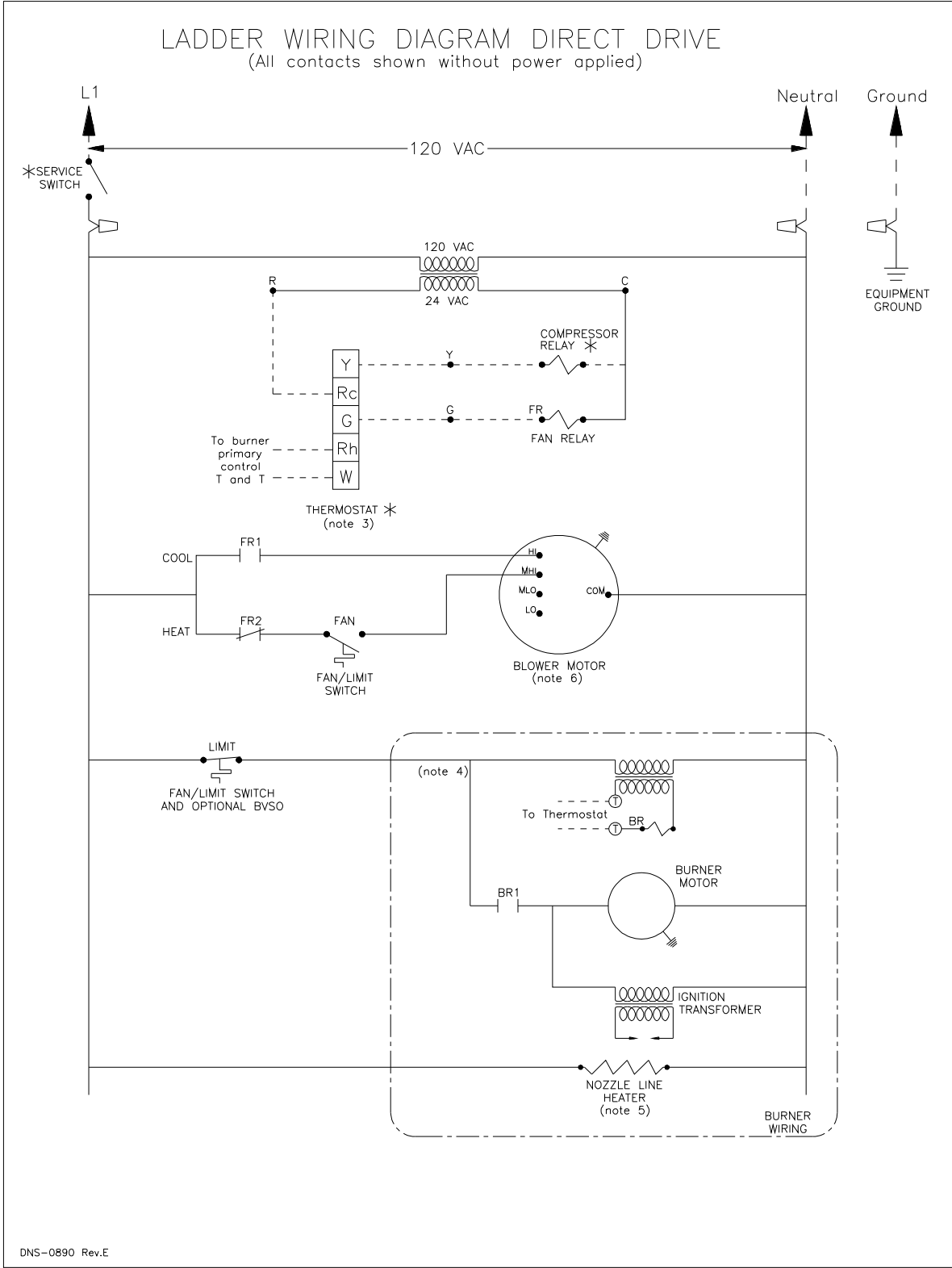
6 Wire furnace & burner (continued)

Figure 4 Wiring – CHB & CLB furnaces with direct-drive blower



6 Wire furnace & burner (continued)

Figure 5 Ladder wiring – CHB & CLB furnaces with direct-drive blower



7 Start up

▲ DANGER Follow information below to prevent severe personal injury, death or substantial property damage:

- Do not use gasoline, crankcase drainings or any oil containing gasoline. See burner manual for proper fuel oil.
- Do not attempt to start burner when excess oil has accumulated, when unit is full of vapor or when combustion chamber is very hot.
- Do not start burner unless collector box, breeching and burner mounting plate are secured in place.
- Never burn garbage or paper in the furnace.
- Never leave combustible material around it.

To start furnace

1. Factory burner adjustment and settings may not be suitable for specific job conditions. Refer to burner manual for burner start up, adjustment and checkout procedures.
2. Set room thermostat to call for heat.
3. Start burner as described in burner manual.
4. The furnace blower will delay for a short time after burner starts, until the limit/fan switch senses air temperature above the fan ON setting.
5. Set room thermostat to its lowest setting. Burner should turn off.
6. Furnace blower will continue to run until the limit/fan switch senses air temperature below the fan OFF setting.
7. Set the room thermostat to call for heat again. Allow furnace to heat to design temperature. Then adjust burner for correct combustion, using combustion test equipment. Adjust burner for:
Draft: -0.01" to -0.02" water column draft in furnace combustion chamber.
CO₂: between 10% and 11½%, with 0 smoke.

To start furnace (continued)

▲ WARNING Make final burner adjustments using combustion test equipment to assure proper operation.

8. Check furnace and duct system for proper operation and conditions.
9. Inspect vent system for proper operation.
10. To set limit/fan switch:
The blower operates until the air temperature drops below the fan OFF setting. If the air at the supply registers is too warm at blower start up or shutdown, lower the fan OFF and ON settings on the limit/fan switch.
To check operation of the limit switch, slide a piece of cardboard into the furnace filter slot. After a few minutes of operation (not more than 5 minutes), the burner should shut off (limit switch open). The blower will operate until the furnace cools down. Remove cardboard when finished.
11. Perform a complete burner cad cell test as per the burner instruction manual.

To shut down furnace

1. Set the room thermostat to its lowest setting.
2. Turn off the disconnect switch on the 120-VAC power line to the furnace.
3. If the burner will be shut down for an extended time, tightly close all oil valves.
4. Refer to burner manual for any additional instructions.

8 Checkout procedure

Furnace selection

- .. 1. Heat loss BTU/h at °F outdoor design temperature.
- .. 2. Furnace model
Output BTU/h.
- .. 3. Burner model
Nozzle: GPH ° type.....
- .. 4. Burner pump pressure psig.

Furnace installation

- ..5. Is the furnace level and are all legs in contact with the floor?
- ..6. Are return and supply ducts securely attached to furnace?
- ..7. Are the fuel filter and fuel lines installed and inspected as per the burner manual?
- ..8. Are furnace and burner wired as per the wiring diagram?
- ..9. 120 VAC wiring: type..... size AWG.

8 Checkout procedure (continued)

Vent and combustion air

- ...10. Was the existing chimney / vent system inspected and found in proper condition?
- ...11. Was new vent piping installed and sealed as required?
- ...12. Was the vent sizing checked against furnace manual and codes?

Ductwork

- ...13. Was the duct sizing checked against furnace manual and / or ACCA Manual D?
- ...14. Were the supply and return registers checked for size based on airflow?
- ...15. Were balancing dampers installed as needed?
- ...16. Was the ductwork sealed and insulated as needed?

Furnace operation

- ...17. Is a / are clean air filter(s) in place?
- ...18. Was the temperature rise through furnace checked (not to exceed 85°F) and the blower speed adjusted if necessary?
- ...19. Was the thermostat heat anticipator set per wiring diagram?
- ...20. Was the burner started and tested per burner manual?
- ...21. Is there proper draft and burner flame? Were final adjustments made with combustion test equipment?

Furnace operation (continued)

- ..22. Was air purged from oil piping and piping checked for leaks?
- ..23. Was burner sealed to furnace and nuts tightened? Was burner harness securely plugged in?

WARNING Obtain gas-tight seals at burner flange, cleanout plates and/or flue collector box to prevent possible flue gas leakage and carbon monoxide emissions, leading to severe personal injury or death.

- ..24. Was limit control tested as per the "To start furnace" section in this manual?
- ..25. Was furnace cycled with thermostat? Raise to highest setting and verify furnace goes through normal start up cycle. Lower to lowest setting and verify furnace shuts off.
- ..26. Were several operating cycles observed for proper operation?
- ..27. Were room thermostat(s) set to desired room temperatures?

After installation

- ..28. Was "Installation and service certificate" (below) filled out?
- ..29. Was Owner's information in this manual reviewed with owner or maintenance person and the person instructed to keep the manual for future reference?
- ..30. Were all instruction manuals placed near the furnace for future reference?

Installation and service certificate

Furnace model _____ Series _____

Serial number _____ Date installed _____

- Installation instructions have been followed.
- Checkout sequence has been performed.
- Above information is certified to be correct.
- Information received and left with owner/maintenance person.

Installer _____
 (Company) (Address) (Phone)

 (Installer's signature)

9 Troubleshooting

Before beginning these troubleshooting procedures, ALWAYS :	
<ul style="list-style-type: none"> • Check 120 volt supply to furnace. If there is no supply voltage, check fuses and service switch. CAUTION : When testing electrical equipment, always follow standard electrical safety procedures. 	<ul style="list-style-type: none"> • To successfully service the oil furnace, you must have these instruments : <ul style="list-style-type: none"> • smoke tester • carbon-dioxide (CO₂) or oxygen (O₂) analyzer • draft gauge (scale should read from -.01" w.c. to -.25" w.c.) • volt/OHM/milliamper multimeter • pressure gauge capable of reading 0-150 lb/sq. inch (for oil only) • Be familiar with these instruments as well as the burner manufacturer's recommended settings.
<ul style="list-style-type: none"> • Make sure thermostat is calling for burner operation. 	
<ul style="list-style-type: none"> • Check oil supply and make sure all valves are open. 	

Symptom – Burner	Possible corrections :	
Burner motor does not start.	<ul style="list-style-type: none"> • Check fuses and make sure service switch is on. 	<ul style="list-style-type: none"> • Check for voltage from primary relay to burner motor. Make sure the primary relay has not locked out on safety.
	<ul style="list-style-type: none"> • Check for line voltage into furnace junction box. 	<ul style="list-style-type: none"> • Make sure the thermostat is calling for heat and that the wiring to the thermostat is correct and tight.
Burner short cycles or locks out on primary relay safety.	<ul style="list-style-type: none"> • If the primary relay control is not popping out the reset button, measure the milliamperage at the thermostat and set the heat-anticipator accordingly. Also check wiring from the thermostat to the burner. 	<ul style="list-style-type: none"> • Check the alignment of the cad cell to assure it is aimed at the fire.
	<ul style="list-style-type: none"> • Check nozzle and electrode position. (Reference burner manufacturers instructions). 	<ul style="list-style-type: none"> • Check ignition transformer output
Unable to achieve clean combustion by setting air adjustments.	<ul style="list-style-type: none"> • Check tube insertion and alignment. 	<ul style="list-style-type: none"> • Check nozzle and electrode position (Reference burner manufacturer's instructions).
	<ul style="list-style-type: none"> • Replace nozzle. 	<ul style="list-style-type: none"> • Check pump pressure (varies with manufacturer and application; see burner manual).
	<ul style="list-style-type: none"> • Check overfire draft. 	
To check CAD cell operation, use the following procedure :	<ul style="list-style-type: none"> • Remove CAD cell leadwires from the f-f terminals on the primary safety control, then start burner. Shortly after burner starts, place a temporary jumper between terminals f-f. Connect ohmmeter across CAD cell leadwires-resistance should be under 1,600 ohms. 	<ul style="list-style-type: none"> • With burner off, check dark cell resistance across CAD cell leadwires. Resistance should be greater than 20,000 ohms. If cell resistances are different from above, recheck wiring and location of cell, etc. If necessary, replace plug-in portion of cell.
	<ul style="list-style-type: none"> • Stop burner and remove temporary jumper. 	
Symptom – Furnace blower	Possible corrections :	
Furnace blower will not start.	<ul style="list-style-type: none"> • Check wiring from Fan and Limit control. See if blower motor will run when it is switched on manually at the thermostat sub-base (if sub-base is installed). 	<ul style="list-style-type: none"> • Check for 120V to the blower motor. If present, replace motor.
Blower cycles on and off after the burner has shut down.	<ul style="list-style-type: none"> • Adjust fan "off" setting to 90° and adjust fan "on" setting to 110°. 	
Blower short cycles on limit control.	<ul style="list-style-type: none"> • Return ducts may be undersized. 	

10 Service and maintenance

Annual service and start-up

WARNING Follow the “Service and maintenance” procedures given throughout this manual and in component literature shipped with the furnace. Failure to perform the service and maintenance could result in damage to the furnace or system. Failure to follow the directions in this manual and component literature could result in severe personal injury, death or substantial property damage.

WARNING The furnace should be inspected and started annually, at the beginning of the heating season, only by a qualified service technician. In addition, the maintenance and care of the furnace outlined in the table below, and explained on the following pages must be performed to assure maximum furnace efficiency and reliability. Failure to service and maintain the furnace and system could result in equipment failure.

WARNING This furnace contains fiberglass and ceramic fiber materials. These materials require special attention. Please refer to the WARNING and guidelines. Failure to comply could result in severe personal injury, death or substantial property damage.

Service technician annual maintenance/start up (see following pages and burner manual for instructions)	
Service and maintenance	Annual start up
<p style="text-align: center;">Furnace and air system</p> <ul style="list-style-type: none"> <input type="checkbox"/> Consult with homeowner to see if there were any problems with furnace or system during the prior heating season (or cooling season) <input type="checkbox"/> Clean and inspect blower motor and wheel <input type="checkbox"/> Check condition of electrical wiring and tightness of terminals and connectors <input type="checkbox"/> Clean and inspect heat exchanger and combustion chamber <input type="checkbox"/> Clean and inspect system accessories <p style="text-align: center;">Vent system</p> <ul style="list-style-type: none"> <input type="checkbox"/> Clean and inspect flue pipe, chimney/vent, and draft regulator <p style="text-align: center;">Fuel oil system</p> <ul style="list-style-type: none"> <input type="checkbox"/> Check oil tank and piping for leaks <input type="checkbox"/> Replace oil filter <p style="text-align: center;">Oil burner</p> <ul style="list-style-type: none"> <input type="checkbox"/> Clean and inspect oil burner assembly <input type="checkbox"/> Bleed system of air (single-pipe system) <input type="checkbox"/> Check oil pump pressures <input type="checkbox"/> Check combustion air ducts, grilles, etc. (if applicable) 	<p style="text-align: center;">Check operation</p> <ul style="list-style-type: none"> <input type="checkbox"/> Check sequence of operation <input type="checkbox"/> Check flame characteristics <input type="checkbox"/> Perform combustion checks/tests per burner manual and furnace manual <input type="checkbox"/> Check temperature rise <input type="checkbox"/> Check thermostat heat anticipator setting <input type="checkbox"/> Check safety controls (high-temperature limit switch, flame cutoff time, etc.)

10 Service and maintenance (continued)

Handling ceramic fiber and fiberglass materials

HANDLING OR REMOVAL OF COMBUSTION CHAMBER



The combustion chamber in this product contains ceramic fiber materials. Ceramic fiber can be converted to cristobalite in very high temperature applications. The International Agency for Research on Cancer (IARC) has concluded, "Crystalline silica inhaled in the form of quartz or cristobalite from occupational sources is carcinogenic to humans (Group 1)".

- Avoid breathing dust and contact with skin and eyes.
 - Use NIOSH certified dust respirator (N95). This type of respirator is based on the OSHA requirements for cristobalite at the time this document was written. Other types of respirators may be needed depending on the job site conditions. Current NIOSH recommendations can be found on the NIOSH web site at <http://www.cdc.gov/niosh/homepage.html>. NIOSH approved respirators, manufacturers, and phone numbers are also listed on this web site.
 - Wear long-sleeved, loose fitting clothing, gloves, and eye protection.
- Apply enough water to the combustion chamber lining to prevent airborne dust.
- Remove combustion chamber lining from the furnace and place it in a plastic bag for disposal.
- Wash potentially contaminated clothes separately from other clothing. Rinse clothes washer thoroughly.

NIOSH stated First Aid.

- Eye: Irrigate immediately
- Breathing: Fresh air.

HANDLING OR REMOVAL OF FIBERGLASS WOOL – OR – INSTALLATION OF FIBERGLASS WOOL OR COMBUSTION CHAMBER:



This product contains fiberglass jacket insulation and ceramic fiber materials in combustion chamber. Airborne fibers from these materials have been listed by the State of California as a possible cause of cancer through inhalation.

- Avoid breathing dust and contact with skin and eyes.
 - Use NIOSH certified dust respirator (N95). This type of respirator is based on the OSHA requirements for fiberglass wool at the time this document was written. Other types of respirators may be needed depending on the job site conditions. Current NIOSH recommendations can be found on the NIOSH web site at <http://www.cdc.gov/niosh/homepage.html>. NIOSH approved respirators, manufacturers, and phone numbers are also listed on this web site.
 - Wear long-sleeved, loose fitting clothing, gloves, and eye protection.
- Operations such as sawing, blowing, tear out, and spraying may generate airborne fiber concentration requiring additional protection.
- Wash potentially contaminated clothes separately from other clothing. Rinse clothes washer thoroughly.

NIOSH stated First Aid.

- Eye: Irrigate immediately
- Breathing: Fresh air.

10 Service and maintenance (continued)

Service/maintenance procedures

To inspect blower motor

Blower motor is permanently lubricated and do not require oiling.

Clean blower wheel – Vacuum dust from blower wheel blades and surrounding area.

To clean heat exchanger

▲WARNING The heat exchanger must be cleaned and inspected at least once each year. Operating the furnace with a fouled or leaking heat exchanger could result in severe personal injury, death or substantial property damage.

▲WARNING The combustion chamber contains ceramic fiber materials. Wear a NIOSH-approved respirator while cleaning the furnace and follow WARNING on page 20 for proper handling.

1. Remove the burner and mounting plate.
2. Inspect the heat exchanger using a mirror inserted through the burner opening.
3. Using a brush on a flexible handle, loosen the soot on the inside of the heat exchanger.
4. Remove the soot with a vacuum. Be careful not to damage the combustion chamber while cleaning the heat exchanger.
5. Open the heat exchanger cleanout cover. Using a brush on a flexible handle, loosen the soot from the heat exchanger surfaces. Remove as much soot as possible using a vacuum.
6. Close cleanout cover.
7. Inspect combustion chamber and replace with a new one if chamber is damaged in any way.
8. Re-install burner and mounting plate.

▲WARNING Obtain gas-tight seal at burner flange and cleanout plates to prevent possible flue gas leakage and carbon monoxide emissions, leading to severe personal injury or death.

Inspect vent system

Thoroughly inspect the entire vent system at least annually, including horizontal vent pipe and chimney or vertical vent. Ensure vent system is repaired or replaced if necessary before placing furnace in operation.

Oiled-bearing burner motors

The burner may need to be lubricated if motor is equipped with oiling cups. Refer to burner manual for specific instructions. If instructed, apply a few drops only of S.A.E. 20 detergent oil (never use household oils). Do not attempt to “fill up” the oil cup. Over-oiling can damage the motor.

Optional Blocked vent shut off (BVSO) cleaning

For continued safe operation, the Blocked Vent Shut Off System (BVSO) is required to be inspected and maintained annually by a qualified agency.

1. Disconnect the power to the appliance;
2. Remove the two screws holding on the BVSO assembly cover;
3. Remove the cover;
4. Remove the two screws holding the thermal switch to the assembly base;
5. Without removing the electrical wires, remove the thermal switch and remove any build-up from the thermal switch surface;

▲CAUTION Do not dent or scratch the surface of the thermal switch. If the thermal switch is damaged, replacement is required.

6. Clear and remove any build-up or obstruction inside the heat transfer tube;
7. Re-mount the thermal switch to the assembly base;
8. Re-attach the assembly cover with the screws removed in step 2;
9. Re-establish power to the appliance.

Annual start up

▲DANGER Follow information below to prevent severe personal injury, death or substantial property damage:

- Do not use gasoline, crankcase drainings or any oil containing gasoline. See burner manual for proper fuel oil.
- Do not attempt to start burner when excess oil has accumulated, when unit is full or vapor or when combustion chamber is very hot.
- Do not start burner unless vent and burner mounting plate are secured in place.
- Never burn garbage or paper in the furnace.
- Never leave combustible material around it.

To start furnace

1. Factory burner adjustment and settings may not be suitable for specific job conditions. Refer to burner manual for burner start up, adjustment and checkout procedures.
2. Set room thermostat to call for heat.
3. Refer to burner manual for start up.
4. The furnace blower will delay for a short period after burner starts, until the limit/fan switch senses air temperature above the fan ON setting.
5. Set room thermostat to its lowest setting. Burner should turn off.
6. Furnace blower will continue to run until the limit/fan switch senses air temperature below the fan OFF setting.
7. Set the room thermostat to call for heat again. Allow furnace to heat to design temperature. Then adjust burner for correct combustion, using combustion test equipment. Adjust burner for:
Draft: -0.01" to -0.02" water column draft in furnace combustion chamber.
CO₂: between 10% and 11½%, with 0 smoke.

▲WARNING Make final burner adjustments using combustion test equipment to ensure proper operation.

8. Check furnace and duct system for proper operation and conditions.
9. Inspect vent system for proper operation.
10. To set limit/fan switch:

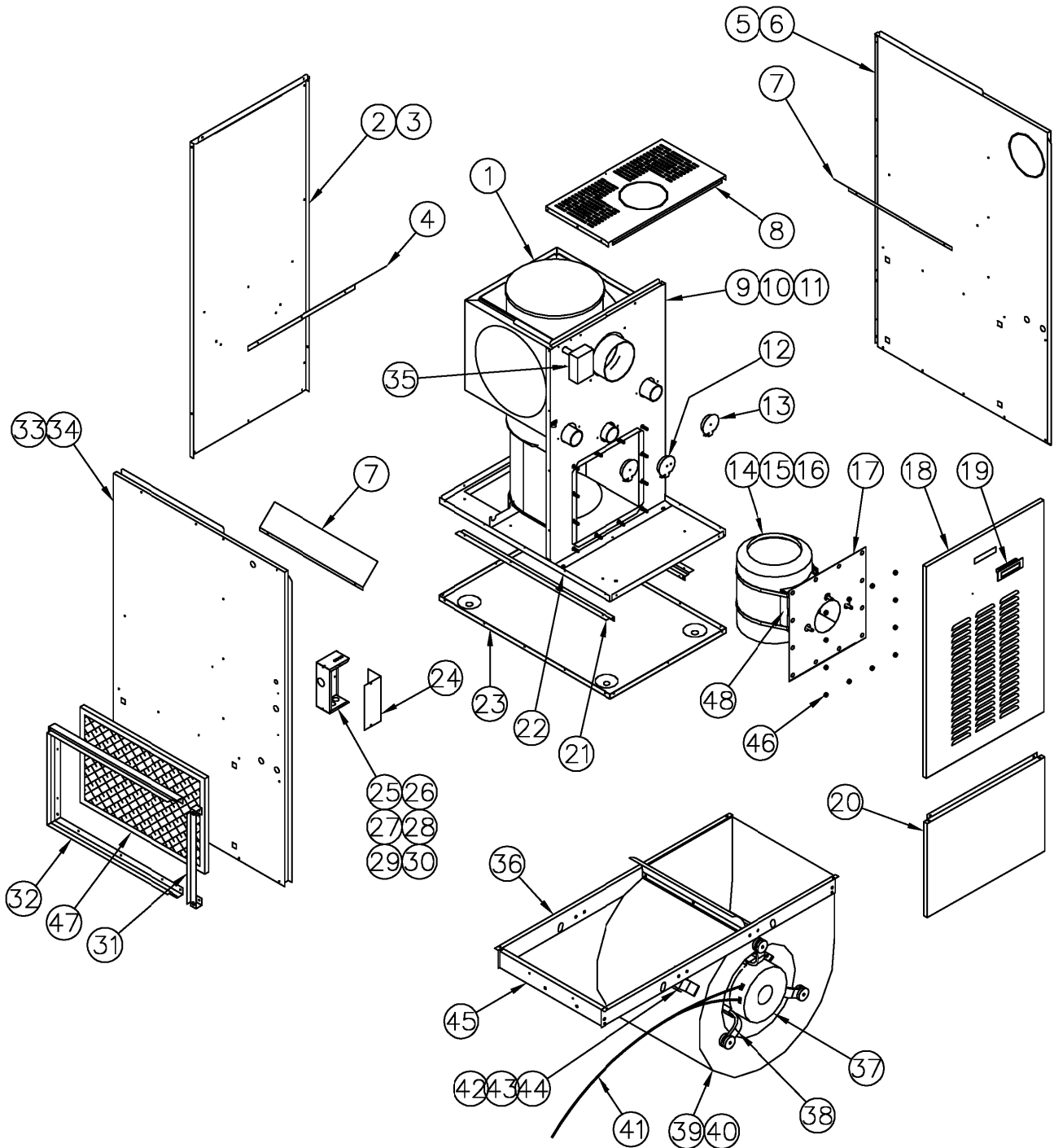
The blower operates until the air temperature drops below the fan OFF setting. If the air at the supply registers is too warm at blower start up or shutdown, lower the fan OFF and ON settings on the limit/fan switch.

To check operation of the limit switch, slide a piece of cardboard into the furnace filter slot. After a few minutes of operation (not more than 5 minutes), the burner should shut off (limit switch open). The blower will operate until the furnace cools down. Remove cardboard when finished.

11. Complete testing of the burner cad cell control using the instructions in the burner manual.

11 Components and replacement parts

Figure 5 Model CHB-105 furnaces – Component locations



B50048E

11 Components and replacement parts (continued)

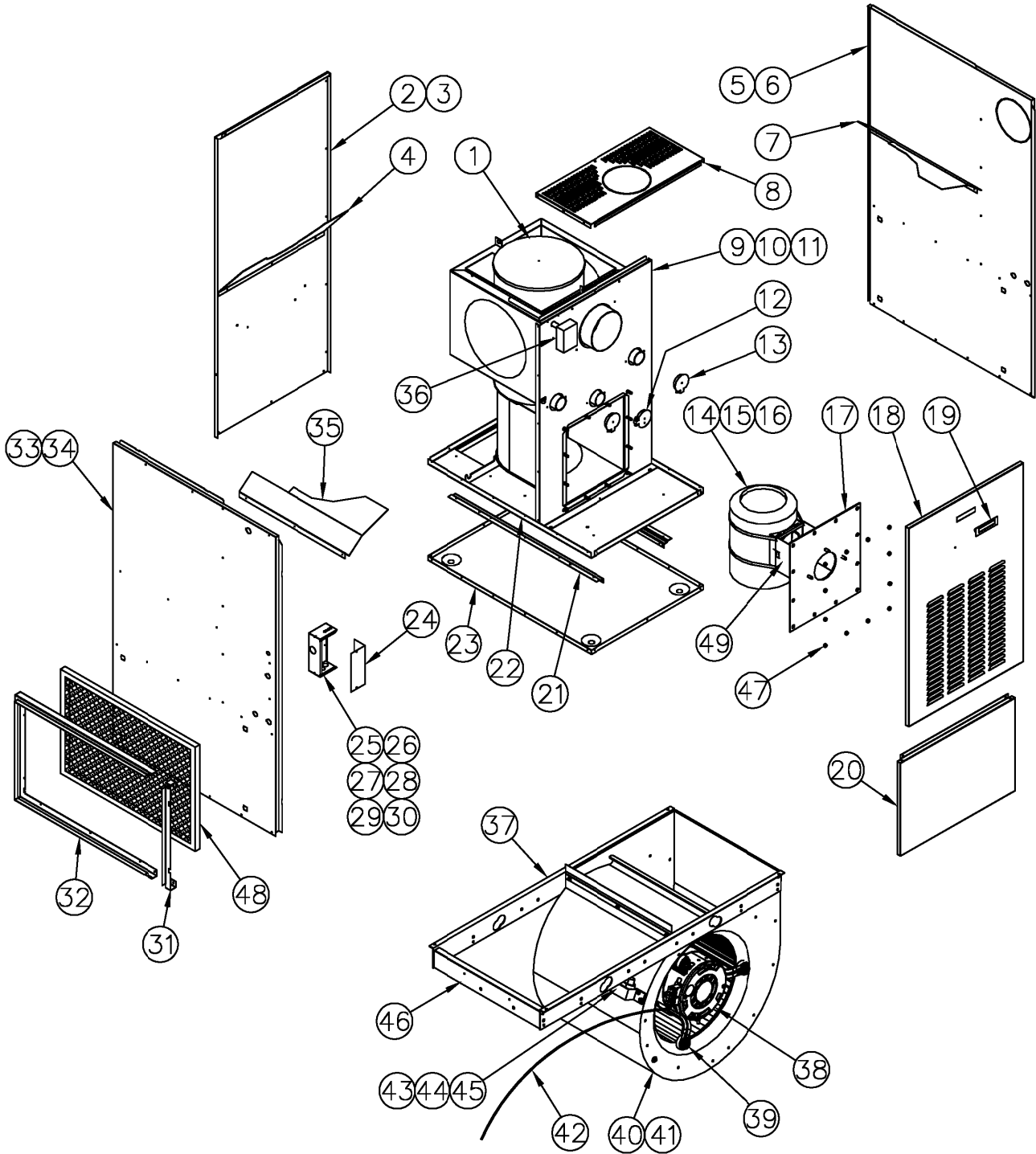
Model CHB-105 furnaces – Replacement parts list

Item	Part description	Part number
1	Heat exchanger	B02935-01
2	Rear panel assembly (item 3 included)	B02971
3	Rear panel insulation	B02969
4	Rear baffle	B02963
5	Right side panel assembly (items 6 & 7 included)	B02970-01
6	Right side panel insulation	B02968-01
7	Baffle	B02964
8	Top panel	B02959
9	Front panel divider assembly (items 10 & 11 included)	B02972
10	Front divider insulation	B02967
11	Observation tube gasket	B01014
12	Observation door	B02111
13	Clean out door	B01842
14	Burner plate assembly (items 15, 16 & 17 included)	B02938
15	Combustion chamber	B02898
16	Burner plate	B02952
17	Gasket, burner plate	B02907
18	Front door (door only)	B02958
19	Handle	Z99F050
20	Blower door	B02957
21	Blower slides (qty 2)	B01680
22	Blower deck assembly (item 21 included)	B02973
23	Floor	B02960

Item	Part description	Part number
24	Electrical box cover	B02978
25	Electrical box assembly (items 26, 27, 28, 29 & 30 included)	B02977
26	Transformer	L01F009
27	Relay SPDT 24 VAC	L01H009
28	Terminal 4 buss	L05F009
29	Fan limit wire harness	B02917
30	Burner wire harness	B02915
31	Filter rack access	B01696-01
32	Filter rack "U" frame	B01695-01
33	Left side panel assembly (items 7 & 34 included)	B02970-03
34	Left side panel insulation	B02968-02
35	Fan limit	B04272-02
36	Blower slides (qty 2)	B01681
37	Motor 1/2 HP	L06H004
38	Motor support assembly (band, legs, nut & bolts included)	B01888
39	Blower assembly (items 37, 38, 42, 43, 44 included)	B01979-01
40	Blower 100-10T	B03720-04
41	Motor wiring harness	B02916
42	Capacitor holder	B01024
43	Capacitor 7.5 MF	L011002
44	Rubber cap capacitor	L99Z007
45	Electric box support	B01682
46	Hex nut 3/8-NC brass (qty 12)	F07O001
47	Paper filter 16" x 24"	Obtain locally
48	Combustion chamber support	B02953

11 Components and replacement parts (continued)

Figure 6 Model CHB-140 furnaces – Component locations



B50049F

11 Components and replacement parts (continued)

Model CHB-140 furnaces – Replacement parts list

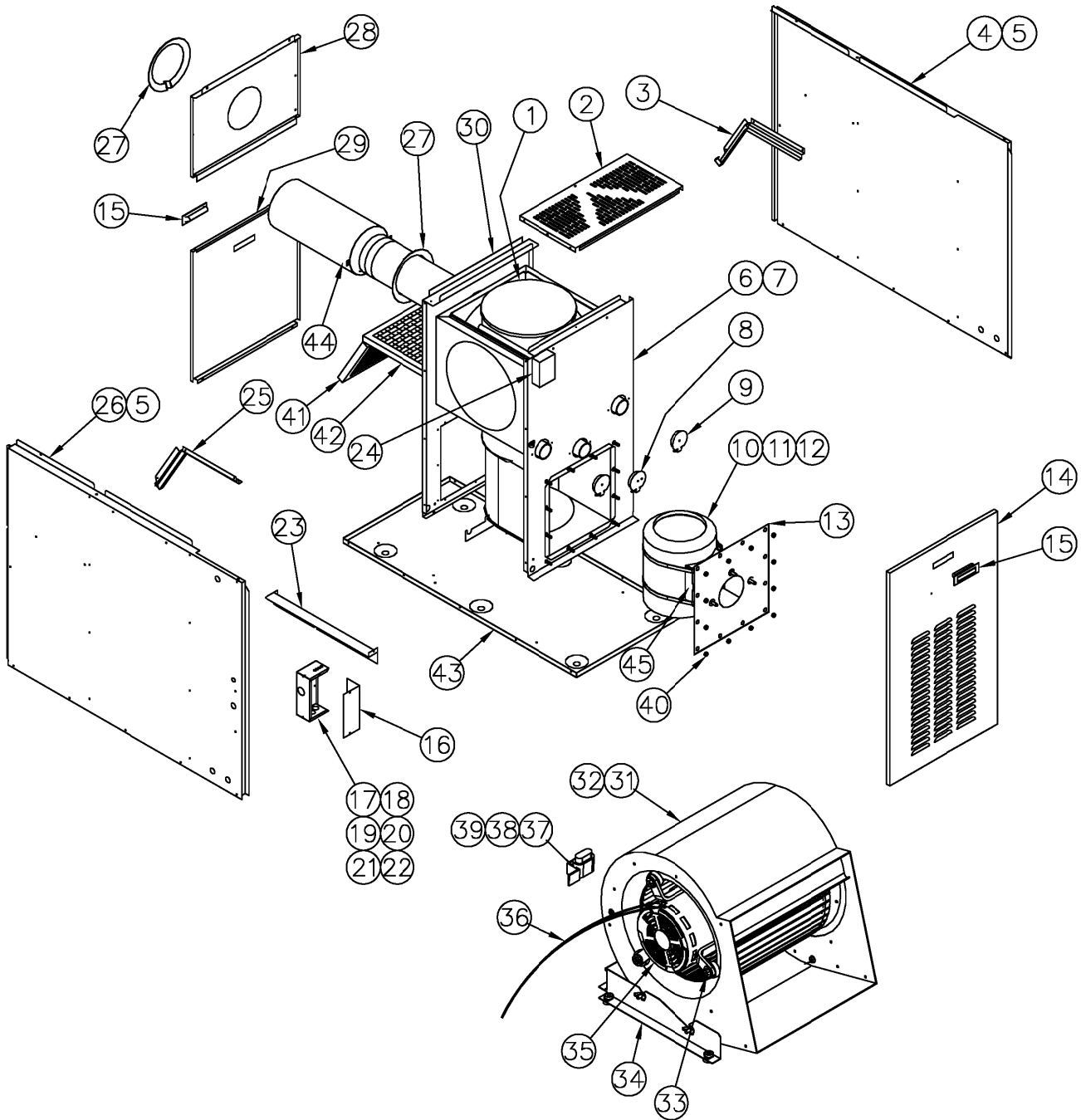
Item	Part description	Part number
1	Heat exchanger	B03115-01
2	Rear panel assembly (items 3 & 4 included)	B03174
3	Rear panel insulation	B03182
4	Rear baffle	B03158
5	Right side panel assembly (items 6 & 7 included)	B03173-01
6	Right side panel insulation	B03181-01
7	Baffle, right side	B03157-01
8	Top panel	B03135
9	Front panel divider assembly (items 10 & 11 included)	B03175
10	Front divider insulation	B03180
11	Observation tube gasket	B01014
12	Observation door	B02111
13	Clean out door	B01842
14	Burner plate assembly (items 15, 16 & 17 included)	B03160
15	Combustion chamber	B02899
16	Burner plate	B03149
17	Gasket, burner plate	B02905
18	Front door (door only)	B03153
19	Handle	Z99F050
20	Blower door	B03177
21	Blower slides (qty 2)	B01794
22	Blower deck assembly (item 21 included)	B03176
23	Floor	B03156
24	Electrical box cover	B02978

Item	Part description	Part number
25	Electrical box assembly (items 26, 27, 28, 29A & 30A included)	B02977
26	Transformer	L01F009
27	Relay SPDT 24 VAC	L01H009
28	Terminal 4 buss	L05F009
29	Fan limit wire harness	B02917
30	Burner wire harness	B02915
31	Filter rack access	B01808-01
32	Filter rack "U" frame	B01809-01
33	Left side panel assembly (items 34 & 35 included)	B03173-02
34	Left side panel insulation	B02968-02
35	Baffle, left side	B03157-02
36	Fan limit	B04272-02
37	Blower slides (qty 2)	B01681
38	Motor 1 HP	L06K001
39	Motor support assembly (band, legs, nut & bolts included)	B01889
40	Blower assembly (items 38, 39, 41, 44, 45, 46 included)	B02582-01
41	Blower 120-10T	B03720-05
42	Motor wiring harness	B02916
43	Capacitor holder	B01024
44	Capacitor 10 MF	L01I003
45	Rubber cap capacitor	L99Z007
46	Electric box support	B01682
47	Hex nut 3/8-NC brass (qty 12)	F07O001
48	Paper filter 20" x 30"	Obtain locally
49	Combustion chamber support	B03148

B50049F

11 Components and replacement parts (continued)

Figure 7 Model CLB-105 Rear furnaces – Component locations



B50050F

11 Components and replacement parts (continued)

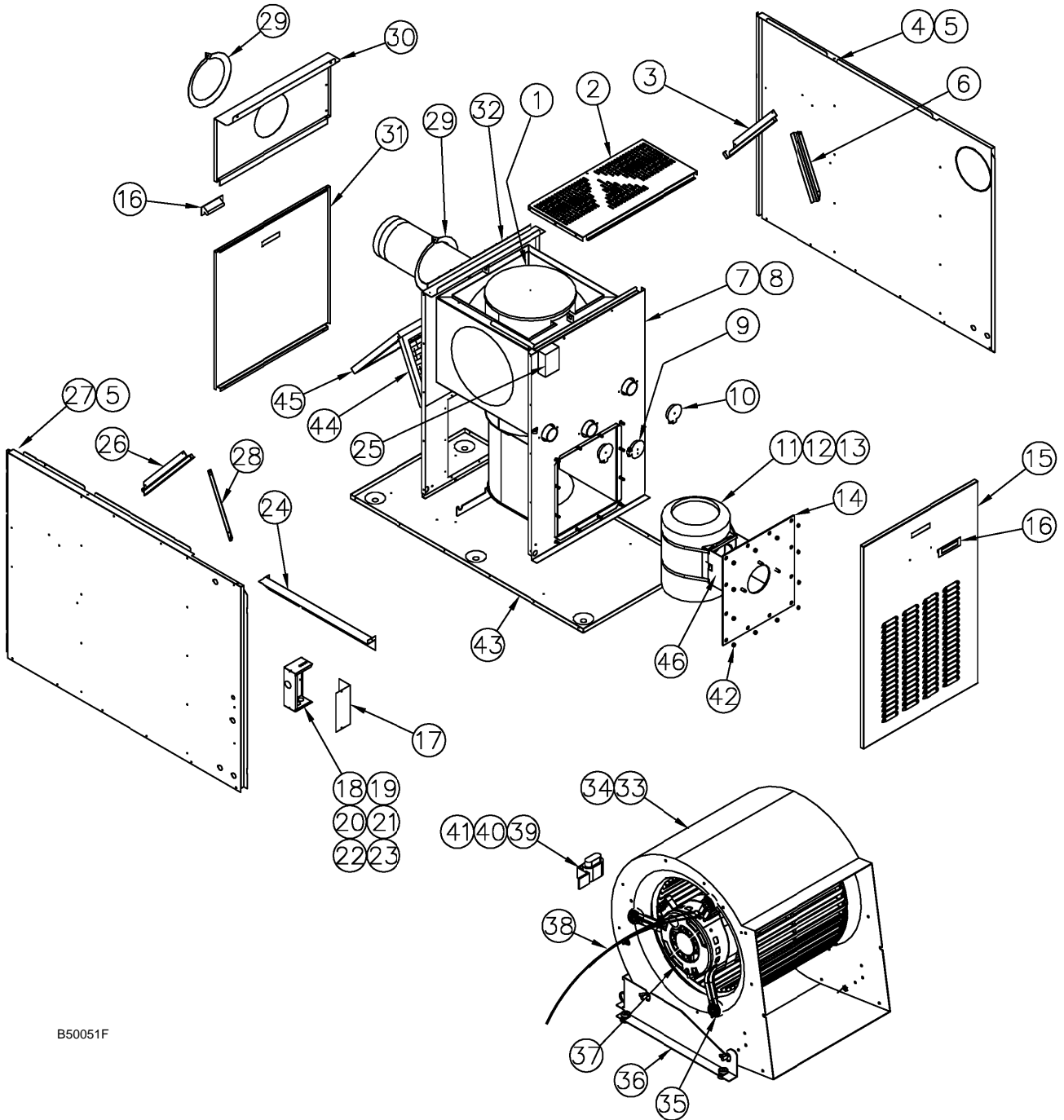
Model CLB-105 Rear furnaces – Replacement parts list

Item	Part description	Part number	Item	Part description	Part number
1	Heat exchanger	B02935-02	23	Wire conduit	B03015
2	Front top panel	B03010	24	Fan limit	B04272-02
3	Filter rack right side	B03014-01	25	Filter rack left side	B03014-02
4	Right side panel assembly (Items 3 & 5 included)	B03017-03	26	Left side panel assembly (Items 5 & 25 included)	B03017-06
5	Side panel insulation	B03016	27	Collar	B10016-03
6	Front divider panel assembly (Item 7 included)	B03022	28	Rear top panel	B03008-02
7	Front divider panel insulation	B03021	29	Blower door	B03012
8	Observation door	B02111	30	Rear divider panel assembly	B03027-02
9	Clean out door	B01842	31	Blower assembly (Items 32, 33, 35 37, 38, 39, included)	B02584-01
10	Burner plate assembly (Items 11,12 & 13 included)	B02938	32	Blower 100-10T	B03720-04
11	Combustion chamber	B02898	33	Motor support assembly (Band, legs, nut & bolts included)	B01888
12	Burner plate	B02952	34	Blower support	B03013
13	Gasket, burner plate	B02907	35	Motor 1/2 HP	L06H004
14	Front door (only)	B03011	36	Blower, wiring harness	B02916
15	Handle	Z99F050	37	Capacitor holder	B01024
16	Electrical box cover	B02978	38	Capacitor 7.5 MF	L01I002
17	Electrical box assembly (Items 18, 19,20, 21A & 22A included)	B02977	39	Rubber cap capacitor	L99Z007
18	Transformer	L01F009	40	Hex nut 3/8-NC brass (12 required)	F07O001
19	Relay SPDT 24VAC	L01H009	41	Paper filter 10" x 20"	Obtain locally
20	Terminal 4 buss	L05F009	42	Paper filter 12" x 20"	Obtain locally
21	Burner wire harness	B02915	43	Floor assembly	B03025
22	Fan limit wire harness	B02917	44	Oulet protector assembly	B03900
			45	Combustion chamber support	B02953

B50050E

11 Components and replacement parts (continued)

Figure 8 Model CLB-140 Rear furnaces – Component locations



B50051F

11 Components and replacement parts (continued)

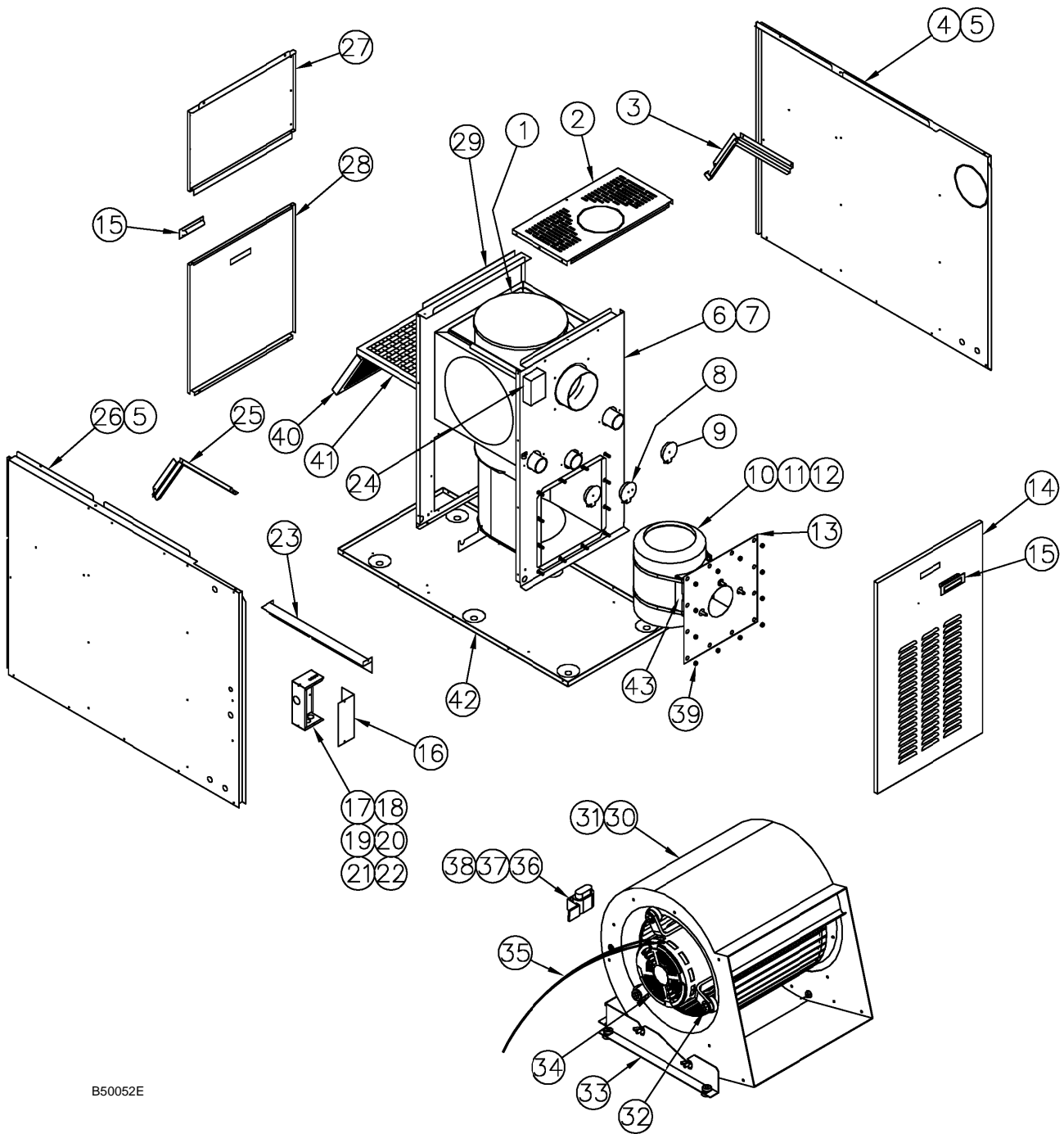
Model CLB-140 Rear furnaces – Replacement parts list

Item	Part description	Part number
1	Heat exchanger	B03115-02
2	Front top panel	B03136
3	Filter rack right side	B03146-01
4	Right side panel assembly (Items 3, 5 & 6 included)	B03162-03
5	Side panel insulation	B03169
6	Filter rack right side	B03147-01
7	Front divider panel assembly (Item 8 included)	B03166
8	Front divider panel insulation	B03171
9	Observation door assembly	B02111
10	Clean out door assembly	B01842
11	Burner plate assembly (Items 12,13 & 14)	B03160
12	Combustion chamber	B02899
13	Burner plate	B03149
14	Gasket, burner plate	B02905
15	Front door (only)	B03137
16	Handle	Z99F050
17	Electrical box cover	B02978
18	Electrical box assembly (items 19, 20, 21, 22 & 23 included)	B02977
19	Transformer	L01F009
20	Relay SPDT 24VAC	L01H009
21	Terminal 4 buss	L05F009
22	Burner wire harness	B02915
23	Fan limit wire harness	B02917

Item	Part description	Part number
24	Wire conduit	B03144
25	Fan limit	B04272-02
26	Filter rack left side	B03146-02
27	Left side panel assembly (Items 5, 26 & 28 included)	B03162-02
28	Filter rack left side	B03147-02
29	Ring	B03138-02
30	Rear top panel	B03133-01
31	Blower door	B03134
32	Rear divider panel assembly	B03168-02
33	Blower assembly (items 34, 35, 37, 39, 40 & 41 included)	B02583-01
34	Blower 120-10T (Item 34 and housing)	B03720-05
35	Motor support assembly (band, legs, nut & bolts included)	B01889
36	Blower support	B03143
37	Motor 1 HP	L06K004
38	Blower, wiring harness	B02916
39	Capacitor holder	B01024
40	Capacitor 10 MF	L01I003
41	Rubber cap capacitor	L99Z007
42	Hex nut 3/8-NC brass (qty 12)	F07O001
43	Floor assembly	B03167
44	Paper filter 12" x 24"	Obtain locally
45	Paper filter 16" x 24"	Obtain locally
46	Combustion chamber support	B03148

11 Components and replacement parts (continued)

Figure 9 Model CLB-105 Front furnaces – Component locations



B50052E

11 Components and replacement parts (continued)

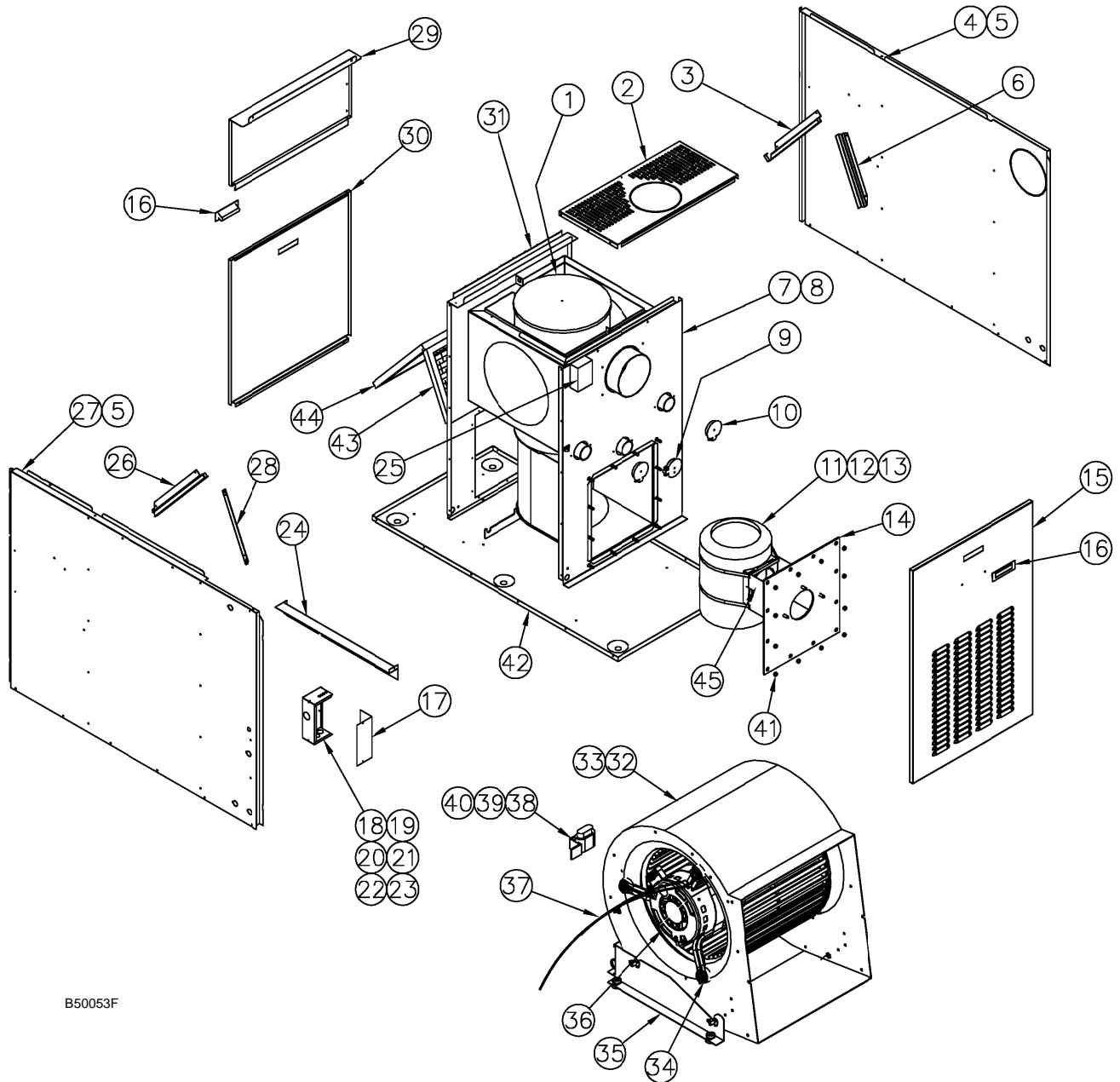
Model CLB-105 Front furnaces – Replacement parts list

Item	Part description	Part number	Item	Part description	Part number
1	Heat exchanger	B02935-01	22	Fan limit wire harness	B02917
2	Front top panel	B03009	23	Wire conduit	B03015
3	Filter rack right side	B03014-01	24	Fan limit	B04272-02
4	Right side panel assembly (Items 3 & 5 included)	B03017-01	25	Filter rack left side	B03014-02
5	Side panel insulation	B03016	26	Left side panel assembly (Items 5 & 25 included)	B03017-04
6	Front divider panel assembly (Item 7 included)	B03019	27	Rear top panel	B03008-01
7	Front divider panel insulation	B03018	28	Blower door	B03012
8	Observation door assembly	B02111	29	Rear divider panel assembly	B03027-01
9	Clean out door assembly	B01842	30	Blower assembly (Items 31, 32, 34, 36, 37, 38, included)	B02584-01
10	Burner plate assembly (Items 11,12 & 13)	B02938	31	Blower 100-10T	B03720-04
11	Combustion chamber	B02898	32	Motor support assembly (Band, legs, nut & bolts included)	B01888
12	Burner plate	B02952	33	Blower support	B03013
13	Gasket, burner plate	B02907	34	Motor 1/2 HP	L06H004
14	Front door (only)	B03011	35	Blower, wiring harness	B02916
15	Handle	Z99F050	36	Capacitor holder	B01024
16	Electrical box cover	B02978	37	Capacitor 7.5 MF	L01I002
17	Electrical box assembly (Items 18, 19,20, 21A & 22A included)	B02977	38	Rubber cap capacitor	L99Z007
18	Transformer	L01F009	39	Hex nut 3/8-NC brass (12 required)	F07O001
19	Relay SPDT 24VAC	L01H009	40	Paper filter 10" x 20"	Obtain locally
20	Terminal 4 buss	L05F009	41	Paper filter 12" x 20"	Obtain locally
21	Burner wire harness	B02915	42	Floor assembly	B03025
			43	Combustion chamber support	B02953

B50052E

11 Components and replacement parts (continued)

Figure 10 Model CLB-140 Front furnaces – Component locations



B50053F

11 Components and replacement parts (continued)

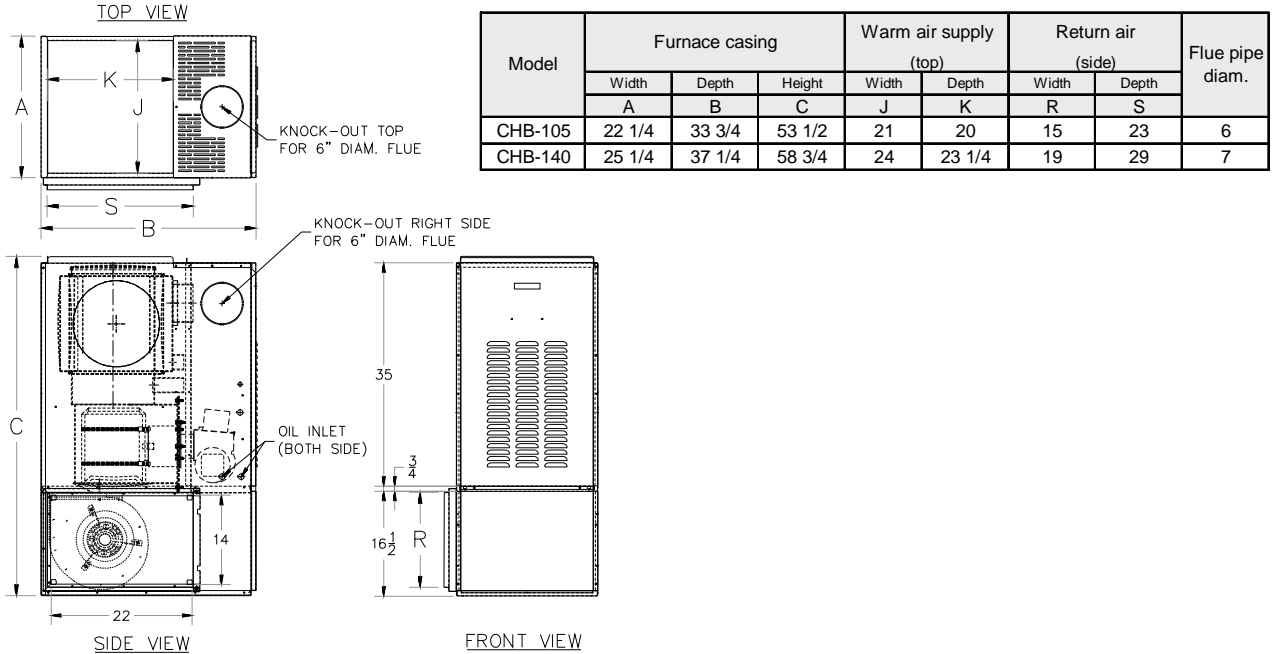
Model CLB-140 Front furnaces – Replacement parts list

Item	Part description	Part number
1	Heat exchanger	B03115-01
2	Front top panel	B03135
3	Filter rack right side	B03146-01
4	Right side panel assembly (Items 3, 5 & 6 included)	B03162-01
5	Side panel insulation	B03169
6	Filter rack right side	B03147-01
7	Front divider panel assembly (Item 8 included)	B03165
8	Front divider panel insulation	B03170
9	Observation door assembly	B02111
10	Clean out door assembly	B01842
11	Burner plate assembly (Items 12,13 & 14)	B03160
12	Combustion chamber	B02899
13	Burner plate	B03149
14	Gasket, burner plate	B02905
15	Front door (only)	B03137
16	Handle	Z99F050
17	Electrical box cover	B02978
18	Electrical box assembly (Items 19, 20, 21, 22 & 23 included)	B02977
19	Transformer	L01F009
20	Relay SPDT 24VAC	L01H009
21	Terminal 4 buss	L05F009
22	Burner wire harness	B02915

Item	Part description	Part number
23	Fan limit wire harness	B02917
24	Wire conduit	B03144
25	Fan limit	B04272-02
26	Filter rack left side	B03146-02
27	Left side panel assembly (Items 5, 26 & 28 included)	B03162-02
28	Filter rack left side	B03147-02
29	Rear top panel	B03133-02
30	Blower door	B03134
31	Rear divider panel assembly	B03168-01
32	Blower assembly (Items 33, 34, 37, 38, 39 & 40 included)	B02583-01
33	Blower 120-10T (Item 34 & housing)	B03720-05
34	Motor support assembly (band, legs, nut & bolts included)	B01889
35	Blower support	B03143
36	Motor 1 HP	L06K004
37	Blower, wiring harness	B02916
38	Capacitor holder	B01024
39	Capacitor 10 MF	L01I003
40	Rubber cap capacitor	L99Z007
41	Hex nut 3/8-NC brass (qty 12)	F07O001
42	Floor assembly	B03167
43	Paper filter 12" x 24"	Obtain locally
44	Paper filter 16" x 24"	Obtain locally
45	Combustion chamber support	B03148

12 Dimensions and ratings

Figure 11 Model CHB-105/140 dimensional data – ALL DIMENSIONS IN INCHES



DNS-0894 Rev. D

Model	Input	Output	Firing rate	Installed nozzle	Blower size	Blower motor HP	Blower motor Speed adjustment		Maximum cooling capacity (tons)	Blower CFM	
	(BTU/h)	(BTU/h)	(GPH)				@ 0.25"W.C.	@ 0.50"W.C.		@ 0.25"W.C.	@ 0.50"W.C.
Direct-drive units											
CHB-105	91,000	79,500	0.65		100-10T	1 / 2	Med. - Low	Med. - Low	3.5	1050	1025
	105,000	90,000	0.75	✓	100-10T	1 / 2	Med. - High	Med. - High	3.5	1175	1100
	119,000	101,000	0.85		100-10T	1 / 2	High	High	3.5	1425	1300
CHB-140	140,000	119,000	1.00	✓	120-10T	1	Med. - High	Med. - High	5	1600	1575

Model	Maximum heating temperature rise (°F)	Filter quantity and size	Volt - Hertz - Phase	Electrical load (amps)	Minimum ampacity for wiring sizing	Maximum fuse size (amps)	Ship weight (pounds)
Direct-drive							
CHB-105	65 - 80	(1) 16 X 24	115 - 60 - 1	15.4	17.7	20	265
CHB-140	65 - 80	(1) 20 X 30	115 - 60 - 1	16.9	19.5	20	315

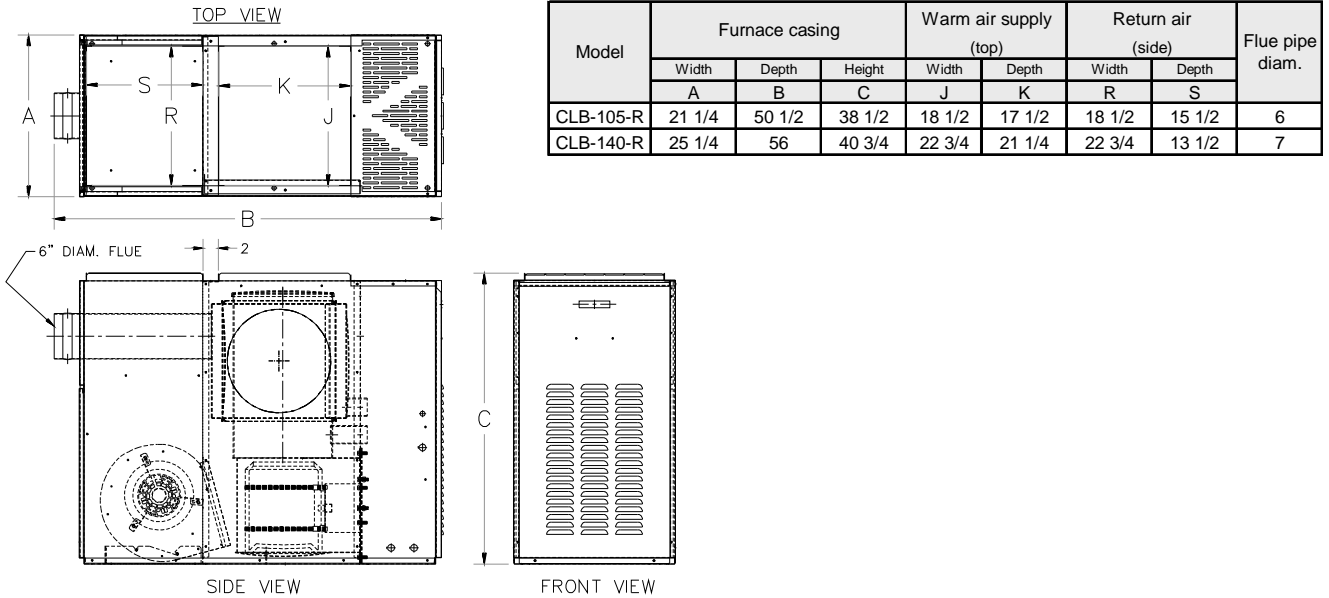


NOTICE

CHB furnaces are CSA design certified for installation on combustible flooring.

12 Dimensions and ratings (continued)

Figure 12 Model CLB-105/140 Rear dimensional data – ALL DIMENSIONS IN INCHES



DNS-0896 Rev. B

Model	Input	Output	Firing rate	Installed nozzle	Blower size	Blower motor HP	Blower motor Speed adjustment		Maximum cooling capacity (tons)	Blower CFM		
	(BTU/h)	(BTU/h)	(GPH)				@ 0.25"W.C.	@ 0.50"W.C.		@ 0.25"W.C.	@ 0.50"W.C.	
Direct-drive units												
CLB-105R	91,000	80,000	0.65		100-10T	1 / 2	Med. - Low	Med. - Low	3.5	1150	1125	
	105,000	90,000	0.75	✓	100-10T	1 / 2	Med. - High	Med. - High	3.5	1300	1225	
	119,000	100,000	0.85		100-10T	1 / 2	High	High	3.5	1475	1325	
CLB-140R	140,000	120,000	1.00	✓	120-10T	1	Med. - High	Med. - High	5	1600	1575	
	168,000	142,000	1.20		120-10T	1	High	High	5	1925	1800	

Model	Maximum heating temperature rise (°F)	Filter quantity and size	Volt - Hertz - Phase	Electrical load (amps)	Minimum ampacity for wiring sizing	Maximum fuse size (amps)	Ship weight (pounds)
Direct-drive							
CLB-105R	65 - 80	(1) 12 X 20 / (1) 10 X 20	115 - 60 - 1	15.4	17.7	20	250
CLB-140R	65 - 80	(1) 16 X 24 / (1) 12 X 24	115 - 60 - 1	16.9	19.5	20	345

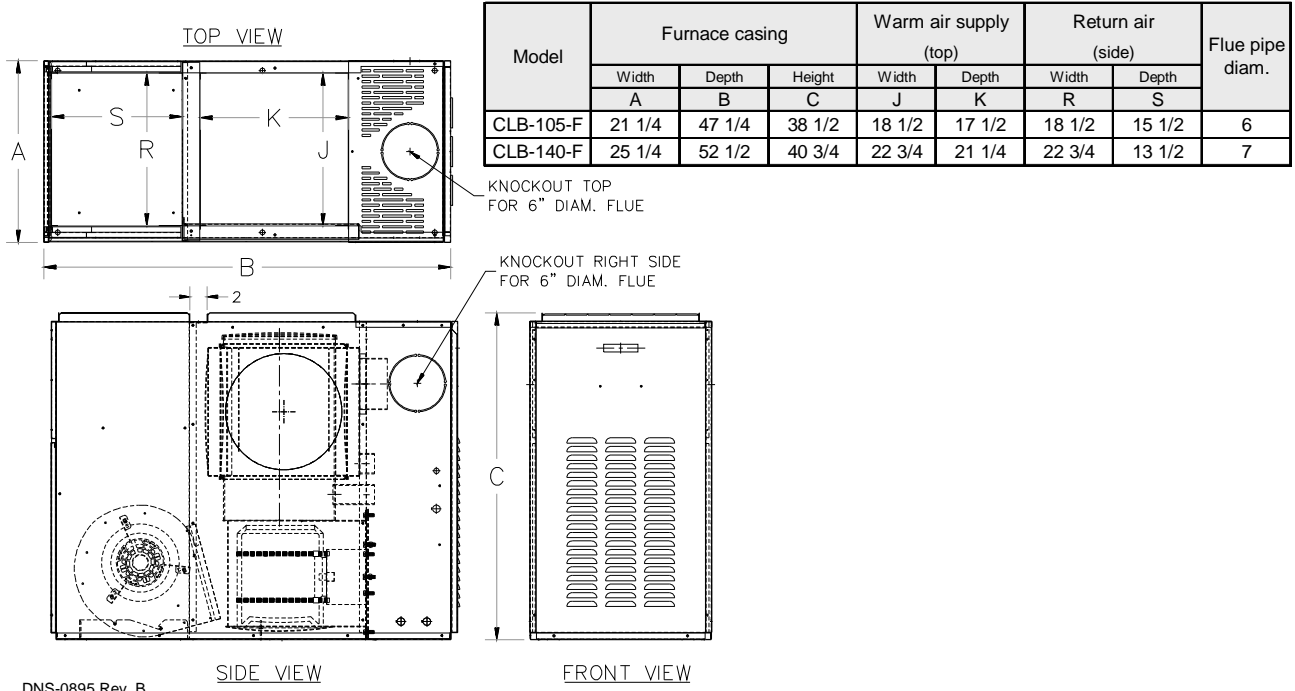


NOTICE

CLB furnaces are CSA design certified for installation on combustible flooring.

12 Dimensions and ratings (continued)

Figure 13 Model CLB-105/140 Front dimensional data – ALL DIMENSIONS IN INCHES



DNS-0895 Rev. B

Model	Input	Output	Firing rate	Installed nozzle	Blower size	Blower motor HP	Blower motor Speed adjustment		Maximum cooling capacity (tons)	Blower CFM	
	(BTU/h)	(BTU/h)	(GPH)				@ 0.25" W.C.	@ 0.50" W.C.		@ 0.25" W.C.	@ 0.50" W.C.
Direct-drive units											
CLB-105F	91,000	80,000	0.65		100-10T	1 / 2	Med. - Low	Med. - Low	3 1/2	1150	1125
	105,000	90,000	0.75	✓	100-10T	1 / 2	Med. - High	Med. - High	3 1/2	1300	1225
	119,000	100,000	0.85		100-10T	1 / 2	High	High	3 1/2	1475	1325
CLB-140F	140,000	120,000	1.00	✓	120-10T	1	Med. - High	Med. - High	5	1600	1575
	168,000	141,000	1.20		120-10T	1	High	High	5	1925	1800

Model	Maximum heating temperature rise (°F)	Filter quantity and size	Volt - Hertz - Phase	Electrical load (amps)	Minimum ampacity for wiring sizing	Maximum fuse size (amps)	Ship weight (pounds)
Direct-drive							
CLB-105F	65 - 80	(1) 10 X 20 / (1) 12 X 20	115 - 60 - 1	15.4	17.7	20	241
CLB-140F	65 - 80	(1) 16 X 24 / (1) 12 X 24	115 - 60 - 1	16.9	19.5	20	330



NOTICE CLB furnaces are CSA design certified for installation on combustible flooring.

12 Dimensions and ratings (continued)

Model CHB & CLB-105 burner data

BECKETT BURNER - Model AFG (3450 RPM) - Tube insertion 5 1/2"

Model	Input BTU/h	Firing rate USGPH	AFUE	Nozzle (Delavan)	Pump pressure (PSIG)	Head	Low firing rate baffle	Static disc	Combustion air adjustment (Band/Shutter)
CHB-105	91,000	0.65	86.0%	0.65-80B	100	F3	Yes	3 3/8 U	0 / 6
	105,000	0.75	85.0%	0.75-80B	100	F4	Yes	3 3/8 U	0 / 7
	119,000	0.85	85.3%	0.85-80B	100	F4	Yes	3 3/8 U	0 / 9
CLB-105 F	91,000	0.65	86.0%	0.65-80B	100	F3	Yes	3 3/8 U	0 / 6
	105,000	0.75	86.0%	0.75-80B	100	F4	Yes	3 3/8 U	0 / 7
	119,000	0.85	85.3%	0.85-80B	100	F4	Yes	3 3/8 U	0 / 9
CLB-105 R	91,000	0.65	86.1%	0.65-80B	100	F3	Yes	3 3/8 U	0 / 6
	105,000	0.75	85.2%	0.75-80B	100	F4	Yes	3 3/8 U	0 / 7
	119,000	0.85	85.2%	0.85-80B	100	F4	Yes	3 3/8 U	0 / 9

BECKETT BURNER - Model NX - Tube insertion 5 1/4"

Model	Input BTU/h	Firing rate USGPH	AFUE	Nozzle (Delavan)	Pump pressure (PSIG)	Head	Low firing rate baffle	ATC	Combustion air adjustment
CHB-105	91,000	0.65	86.0%	0.55 x 60W	140	9 slot	No	NX70LBHS	1.75
	105,000	0.75	86.0%	0.65 x 60W	140	9 slot	No	NX70LBHS	2.50
	119,000	0.85	85.1%	0.75 x 60W	140	9 slot	No	NX70LBHS	3.00
CLB-105 F	91,000	0.65	86.0%	0.55 x 60W	140	9 slot	No	NX70LBHS	1.75
	105,000	0.75	86.0%	0.65 x 60W	140	9 slot	No	NX70LBHS	2.50
	119,000	0.85	85.5%	0.75 x 60W	140	9 slot	No	NX70LBHS	3.00
CLB-105 R	91,000	0.65	85.9%	0.55 x 60W	140	9 slot	No	NX70LBHS	1.75
	105,000	0.75	85.4%	0.65 x 60W	140	9 slot	No	NX70LBHS	2.50
	119,000	0.85	85.5%	0.75 x 60W	140	9 slot	No	NX70LBHS	3.00

RIELLO BURNER - Model 40-F3 - Tube insertion 5 1/2"

Model	Input BTU/h	Firing rate USGPH	AFUE	Nozzle (Delavan)	Pump pressure (PSIG)	Combustion air adjustment (Band/Shutter)
CHB-105	91,000	0.65	86.0%	0.55-60B	140	1 / 1.75
	105,000	0.75	85.5%	0.60-60B	155	2 / 2.75
	119,000	0.85	85.4%	0.75-60B	130	2 / 3.75
CLB-105 F	91,000	0.65	86.0%	0.55-60B	140	1 / 1.75
	105,000	0.75	86.0%	0.60-60B	155	2 / 2.75
	119,000	0.85	85.2%	0.75-60B	130	2 / 3.75
CLB-105 R	91,000	0.65	86.4%	0.55-60B	140	1 / 1.75
	105,000	0.75	86.2%	0.60-60B	155	2 / 2.75
	119,000	0.85	85.6%	0.75-60B	130	2 / 3.75

CARLIN BURNER - EZ-1 - Tube insertion 5 1/2"

Model	Input BTU/h	Firing rate USGPH	AFUE	Nozzle (Hago)	Pump pressure (PSIG)	Combustion air adjustment (Bar / Band)
CHB-105	91,000	0.65	86.0%	0.65-70A	100	0.60-0.65 / 0.65
	105,000	0.75	85.5%	0.75-70A	100	0.75 / 0.75
	119,000	0.85	85.4%	0.85-70A	100	0.85-1.00 / 0.85
CLB-105 F	91,000	0.65	86.0%	0.65-70A	100	0.60-0.65 / 0.65
	105,000	0.75	86.0%	0.75-70A	100	0.75 / 0.75
	119,000	0.85	85.0%	0.85-70A	100	0.85-1.00 / 0.85
CLB-105 R	91,000	0.65	86.4%	0.65-70A	100	0.60-0.65 / 0.65
	105,000	0.75	85.1%	0.75-70A	100	0.75 / 0.75
	119,000	0.85	85.4%	0.85-70A	100	0.85-1.00 / 0.85

12 Dimensions and ratings (continued)

Model CHB & CLB-140 burner data

BECKETT BURNER - Model AFG (3450 RPM) - Tube insertion 8 1/4"

Model	Input BTU/h	Firing rate USGPH	AFUE	Nozzle (Delavan)	Pump pressure (PSIG)	Head	Low firing rate baffle	Static disc	Combustion air adjustment (Band/Shutter)
CHB-140	140,000	1.00	85.0%	1.00 - 70A	100	F3	No	2 3/4 U	0 / 6
CLB-140 F	140,000	1.00	85.7%	1.00 - 70A	100	F3	No	2 3/4 U	0 / 6
	168,000	1.20	85.6%	1.25 - 70A	100	F3	No	2 3/4 U	2 / 4
CLB-140 R	140,000	1.00	85.7%	1.00 - 70A	100	F3	No	2 3/4 U	0 / 6
	168,000	1.20	85.9%	1.25 - 70A	100	F3	No	2 3/4 U	2 / 4

BECKETT BURNER - Model NX - Tube insertion 7 7/8"

Model	Input BTU/h	Firing rate USGPH	AFUE	Nozzle (Delavan)	Pump pressure (PSIG)	Head	Low firing rate baffle	ATC	Combustion air adjustment
CHB-140	140,000	1.00	86.0%	0.85 x 60W	140	9 slot	No	NX90LBHS	3.5
CLB-140 F	140,000	1.00	86.0%	0.85 x 60W	140	9 slot	No	NX90LBHS	3.5
	168,000	1.20	85.4%	1.00 x 60W	150	9 slot	Yes (32229)	NX90LDHS	2.5
CLB-140 R	140,000	1.00	86.0%	0.85 x 60W	140	9 slot	No	NX90LBHS	3.5
	168,000	1.20	85.6%	1.00 x 60W	150	9 slot	Yes (32229)	NX90LDHS	2.5

RIELLO BURNER - Model 140-F5 - Tube insertion 8"

Model	Input BTU/h	Firing rate USGPH	AFUE	Nozzle (Delavan)	Pump pressure (PSIG)	Combustion air adjustment (Band/Shutter)
CHB-140	140,000	1.00	85.2%	0.85 - 60B	140	1 / 2.5
CLB-140 F	140,000	1.00	86.0%	0.85 - 60B	140	1 / 2.5
	168,000	1.20	85.1%	1.10 - 60B	120	2 / 3.25
CLB-140 R	140,000	1.00	86.0%	0.85 - 60B	140	1 / 2.5
	168,000	1.20	86.1%	1.10 - 60B	120	2 / 3.25

CARLIN BURNER - EZ-1 - Tube insertion 8 1/2"

Model	Input BTU/h	Firing rate USGPH	AFUE	Nozzle (Hago)	Pump pressure (PSIG)	Combustion air adjustment (Bar / Band)
CHB-140	140,000	1.00	86.0%	1.00 - 60SS	100	0.85 - 1.00 / 1,00
CLB-140 F	140,000	1.00	86.0%	1.00 - 60SS	100	0.85 - 1.00 / 1,00
CLB-140 R	140,000	1.00	86.0%	1.00 - 60SS	100	0.85 - 1.00 / 1,00
	168,000	1.20	85.2%	1.20 - 60SS	100	1.10 - 1.25 / 1.20

12 Dimensions and ratings (continued)

Airflow data (CFM)

Model	Blower speed	External static pressure						
		0.1"	0.2"	0.3"	0.4"	0.5"	0.6"	0.7"
CHB-105	Med-Low	1065	1055	1045	1035	1025	1015	1005
	Med-High	1220	1190	1160	1130	1100	1070	1040
	High	1475	1450	1400	1350	1300	1250	1200
CLB-105F	Med-Low	1165	1155	1145	1135	1125	1115	1105
	Med-High	1345	1315	1285	1255	1225	1195	1165
	High	1535	1505	1445	1385	1325	1265	1205
CLB-105R	Med-Low	1165	1155	1145	1135	1125	1115	1105
	Med-High	1345	1315	1285	1255	1225	1195	1165
	High	1535	1505	1445	1385	1325	1265	1205
CHB-140	Med-High	1615	1605	1595	1585	1575	1565	1555
	High	1975	1950	1900	1850	1800	1750	1700
CLB-140F	Med-High	1615	1605	1595	1585	1575	1565	1555
	High	1975	1950	1900	1850	1800	1750	1700
CLB-140R	Med-High	1615	1605	1595	1585	1575	1565	1555
	High	1975	1950	1900	1850	1800	1750	1700

Notes :

Airflow values in cubic ft per minute (CFM) rounded to nearest 5 CFM.

Data taken with filters in place.

13 Owner's information

The furnace must be inspected and started ANNUALLY, at the beginning of the heating season, only by a qualified service technician.

The service technician must perform annual service and maintenance on the furnace to ensure reliable operation. Failure to service and maintain the furnace and system could result in equipment failure, causing severe personal injury, death or substantial property damage.

As the owner, you must be aware of the following requirements. You must inspect and clean or replace the furnace filter monthly, as described below, and perform the other inspection procedures as well. Failure to maintain a clean filter will result in cycling of the furnace and could lead to a no-heat condition. Failure to perform this maintenance could result in substantial property damage.

Follow all of the procedures below. Failure to comply could result in severe personal injury, death or substantial property damage.

Operating the furnace

1. The furnace should operate automatically on call for heat from the room thermostat.
2. If the furnace oil burner should shut down on flame failure, the burner primary control will lock out. Ask your service technician to show you the correct procedure to reset the primary control button. NEVER push the button more than once in an attempt to start the burner after lockout. Continued lockout of the control means something is wrong with the burner, controls or oil system. The condition must be corrected by a qualified service technician.

Daily inspection

1. Verify there are no combustible materials in the furnace room or near the furnace.
2. Verify the air openings to the furnace room are not obstructed in any way.
3. Verify the furnace seems to be operating normally. Notify your service technician immediately if you notice any abnormal behavior.

Monthly – inspect and clean/replace filter

1. Ask your service technician to show you the correct way to remove and clean your furnace filter. Replace the filter if you are unable to thoroughly clean it.

To shut down furnace

1. Set the room thermostat to its lowest setting.
2. Turn off the disconnect switch in the 120-VAC power line to the furnace.
3. If the burner will be shut down for an extended time, tightly close all oil valves.
4. Refer to burner manual for any additional instructions.

W-T Manufacturing
8201 W. Calumet Rd. •Milwaukee, WI 53223

CHB & CLB Oil Furnaces – **Furnace Manual**