

TECHNICAL SUPPORT MANUAL

Vertical Evaporator N Coils

END, ENW, ENA

Safety Labeling and Signal Words

DANGER, WARNING, CAUTION, and NOTE

The signal words **DANGER**, **WARNING**, **CAUTION**, and **NOTE** are used to identify levels of hazard seriousness. The signal word **DANGER** is only used on product labels to signify an immediate hazard. The signal words **WARNING**, **CAUTION**, and **NOTE** will be used on product labels and throughout this manual and other manuals that may apply to the product.

DANGER – Immediate hazards which **will** result in severe personal injury or death.

WARNING – Hazards or unsafe practices which **could** result in severe personal injury or death.

CAUTION – Hazards or unsafe practices which **may** result in minor personal injury or product or property damage.

NOTE – Used to highlight suggestions which **will** result in enhanced installation, reliability, or operation.

Signal Words in Manuals

The signal word **WARNING** is used throughout this manual in the following manner:



The signal word **CAUTION** is used throughout this manual in the following manner:



Signal Words on Product Labeling

Signal words are used in combination with colors and/or pictures on product labels.

TABLE OF CONTENTS

Model Number Identification	2
Airflow Tables	3 – 5
Exploded Drawing	6 – 7
END4X Parts List	8 – 9
ENW4X Parts List	10
ENA4X Parts List	11–12

MODELS

END4X18C14A2	END4X37C17A2	ENW4X36C17A2
END4X18T14A2	END4X37T17A2	ENW4X36T17A2
END4X19C17A2	END4X42C17A2	ENW4X42C21A2
END4X19T17A2	END4X42T21A2	ENW4X42T21A2
END4X24C14A2	END4X42C17A2	ENW4X48C21A2
END4X24T17A2	END4X42T21A2	ENW4X48T21A2
END4X30C14A2	END4X43C24A2	ENW4X60C24A2
END4X30C17A2	END4X43T24A2	ENW4X60T24A2
END4X30T14A2	END4X48C21A2	
END4X30T17A2	END4X48C24A2	
END4X31C17A2	END4X48T21A2	
END4X31T17A2	END4X48T24A2	
END4X36C17A2	END4X60C24A2	
END4X36C21A2	END4X60T24A2	
END4X36T17A2	END4X61C24A2	
END4X36T21A2	END4X61T24A2	



ELECTRICAL SHOCK HAZARD

Failure to turn off electric power could result in personal injury or death.

Before installing or servicing system, turn off main power to the system. There may be more than one disconnect switch, including accessory heater(s).

MODELS

ENA4X18C14A2	ENA4X37C17A2
ENA4X18T14A2	ENA4X37T17A2
ENA4X19C17A2	ENA4X42C17A2
ENA4X19T17A2	ENA4X42T21A2
ENA4X24C14A2	ENA4X43C24A2
ENA4X24T17A2	ENA4X43T24A2
ENA4X30C14A2	ENA4X48C21A2
ENA4X30C17A2	ENA4X48C24A2
ENA4X30T14A2	ENA4X48T21A2
ENA4X30T17A2	ENA4X48T24A2
ENA4X31C17A2	ENA4X60C24A2
ENA4X31T17A2	ENA4X60T24A2
ENA4X36C17A2	ENA4X61C24A2
ENA4X36C21A2	ENA4X61T24A2
ENA4X36T17A2	
ENA4X36T21A2	

COIL MODEL NUMBER IDENTIFICATION GUIDE										
Digit Position	1	2	3	4	5	6,7	8	9,10	11	12
	E	N	D	4	X	18	C	14	A	1
E = Evaporator B = Builder D = Standard N = N Coil TYPE										
A = Uncased D = Cased Upflow/Downflow M = Cased Multiposition (Upflow/Downflow/Horizontal) W = Cased Upflow/Downflow for narrower furnaces H = Cased Horizontal INSTALLATION										
4 = Environmentally Sound R-410A REFRIGERANT										
P = Piston X = TXV METERING DEVICE										
18 = 18,000 BTUH = 1½ tons 19 = 18,000 BTUH = 1½ tons 24 = 24,000 BTUH = 2 tons 30 = 30,000 BTUH = 2½ tons 31 = 30,000 BTUH = 2½ tons 36 = 36,000 BTUH = 3 tons 37 = 36,000 BTUH = 3 tons 42 = 42,000 BTUH = 3½ tons 43 = 42,000 BTUH = 3½ tons 48 = 48,000 BTUH = 4 tons 60 = 60,000 BTUH = 5 tons 61 = 60,000 BTUH = 5 tons NOMINAL CAPACITY										
C = Plain Copper T = Tin Coated Copper HAIRPIN MATERIAL										
14 = 14-3/16" 17 = 17-1/2" 21 = 21" 24 = 24-1/2" WIDTH										
Sales Digit (Major Revision)										
Engineering Digit (Minor Revision)										

COOLING CAPACITIES (MBH)																	
UNIT SIZE	INDOOR COIL AIR		SATURATED TEMPERATURE LEAVING EVAPORATOR °F (°C)														
			30 (-1)			35 (2)			40 (4)			45 (7)			50 (10)		
	CFM	EWB	TC	SHC	BF	TC	SHC	BF	TC	SHC	BF	TC	SHC	BF	TC	SHC	BF
18	450	72 (22)	31.00	15.20	0.00	28.60	13.90	0.00	25.80	12.50	0.00	22.80	11.10	0.00	19.30	9.60	0.00
		67 (19)	26.00	15.70	0.00	23.50	14.30	0.01	20.70	12.80	0.01	17.60	11.30	0.01	14.10	9.80	0.01
		62 (17)	21.50	16.00	0.01	18.90	14.50	0.01	16.10	13.00	0.01	13.00	11.50	0.01	10.10	10.10	0.03
	600	72 (22)	38.30	18.70	0.00	35.30	17.10	0.00	32.00	15.50	0.00	28.20	13.80	0.00	23.90	12.00	0.01
		67 (19)	32.30	19.50	0.01	29.20	17.80	0.02	25.70	16.10	0.02	21.80	14.30	0.02	17.50	12.40	0.02
		62 (17)	26.70	20.10	0.02	23.50	18.40	0.02	20.00	16.60	0.02	16.20	14.80	0.02	12.90	12.90	0.06
	750	72 (22)	44.30	21.50	0.00	40.90	19.90	0.00	37.00	18.10	0.00	32.70	16.10	0.02	27.70	14.00	0.02
		67 (19)	37.40	22.80	0.03	33.90	20.90	0.03	29.90	19.00	0.03	25.40	16.90	0.03	20.40	14.70	0.04
		62 (17)	31.10	23.80	0.04	27.40	21.80	0.04	23.40	19.80	0.04	19.10	17.70	0.04	15.60	15.60	0.10
19	450	72 (22)	43.72	21.88	0.00	40.49	20.18	0.00	36.83	18.36	0.00	32.67	16.42	0.00	27.95	14.37	0.00
		67 (19)	36.66	22.46	0.00	33.32	20.65	0.00	29.55	18.73	0.00	25.28	16.69	0.00	20.45	14.55	0.00
		62 (17)	30.28	22.93	0.01	26.83	21.02	0.01	23.00	19.03	0.01	18.79	16.98	0.01	14.88	14.88	0.04
	600	72 (22)	53.61	26.56	0.00	49.70	24.60	0.00	45.23	22.48	0.00	40.13	20.19	0.01	34.31	17.72	0.01
		67 (19)	45.00	27.67	0.01	40.96	25.56	0.01	36.35	23.28	0.01	31.10	20.84	0.01	25.13	18.26	0.01
		62 (17)	37.22	28.61	0.01	33.03	26.36	0.01	28.38	24.00	0.01	23.28	21.54	0.02	19.00	19.00	0.07
	750	72 (22)	61.74	30.45	0.00	57.28	28.32	0.00	52.17	25.97	0.01	46.32	23.41	0.02	39.65	20.66	0.02
		67 (19)	51.91	32.14	0.02	47.30	29.82	0.02	42.02	27.29	0.02	35.98	24.55	0.02	29.10	21.62	0.02
		62 (17)	42.99	33.62	0.02	38.23	31.14	0.02	32.93	28.50	0.02	27.20	25.75	0.03	22.72	22.72	0.10
24	600	72 (22)	39.00	19.00	0.00	36.00	17.50	0.00	32.70	15.90	0.00	28.80	14.10	0.00	24.60	12.30	0.01
		67 (19)	32.80	19.80	0.01	29.80	18.20	0.01	26.30	16.40	0.01	22.40	14.60	0.02	18.10	12.60	0.02
		62 (17)	27.20	20.50	0.02	24.00	18.70	0.02	20.50	16.90	0.02	16.60	15.00	0.02	13.10	13.10	0.05
	800	72 (22)	47.10	22.80	0.00	43.60	21.10	0.00	39.60	19.30	0.00	35.00	17.30	0.02	29.90	15.10	0.02
		67 (19)	39.80	24.20	0.03	36.10	22.30	0.03	32.00	20.30	0.03	27.30	18.10	0.03	22.00	15.90	0.03
		62 (17)	33.10	25.40	0.03	29.30	23.40	0.03	25.10	21.20	0.03	20.50	19.00	0.04	16.70	16.70	0.09
	1000	72 (22)	53.40	25.90	0.00	49.50	24.20	0.00	45.10	22.10	0.02	40.00	19.90	0.03	34.10	17.50	0.04
		67 (19)	45.30	27.90	0.05	41.20	25.90	0.05	36.60	23.70	0.05	31.30	21.30	0.05	25.20	18.70	0.05
		62 (17)	37.80	29.60	0.05	33.60	27.40	0.05	28.80	25.10	0.05	23.80	22.70	0.06	20.00	20.00	0.13
30	750	72 (22)	48.00	23.50	0.00	44.00	21.40	0.00	39.70	19.20	0.00	34.80	17.00	0.00	29.40	14.60	0.01
		67 (19)	40.30	24.20	0.01	36.20	22.00	0.02	31.80	19.70	0.02	26.80	17.40	0.02	21.40	15.00	0.02
		62 (17)	33.20	24.80	0.02	29.10	22.50	0.02	24.60	20.20	0.02	19.90	17.90	0.02	15.60	15.60	0.05
	1000	72 (22)	58.70	28.50	0.00	53.90	26.10	0.00	48.50	23.60	0.00	42.50	20.90	0.02	35.80	18.10	0.03
		67 (19)	49.40	29.90	0.03	44.40	27.30	0.03	38.90	24.60	0.04	32.90	21.70	0.04	26.20	18.80	0.04
		62 (17)	40.80	30.90	0.04	35.80	28.20	0.04	30.30	25.40	0.04	24.60	22.60	0.05	19.90	19.90	0.10
	1250	72 (22)	67.40	32.70	0.00	61.90	30.10	0.00	55.70	27.30	0.02	48.80	24.20	0.04	41.10	21.00	0.05
		67 (19)	56.80	34.70	0.05	51.20	31.80	0.06	44.90	28.70	0.06	37.80	25.50	0.06	30.10	22.20	0.06
		62 (17)	47.10	36.30	0.06	41.30	33.20	0.06	35.00	30.10	0.06	28.60	27.00	0.07	23.70	23.70	0.14
31	750	72 (22)	74.50	37.07	0.00	68.51	33.85	0.00	61.86	30.50	0.00	54.41	27.00	0.00	46.04	23.35	0.00
		67 (19)	62.13	37.73	0.01	56.03	34.37	0.01	49.24	30.87	0.01	41.66	27.24	0.01	32.96	23.39	0.01
		62 (17)	50.98	38.20	0.01	44.75	34.72	0.01	37.95	31.17	0.01	30.17	27.36	0.01	23.70	23.70	0.06
	1000	72 (22)	92.35	45.51	0.00	85.01	41.76	0.00	76.78	37.78	0.00	67.46	33.54	0.01	57.03	29.08	0.01
		67 (19)	77.15	46.96	0.02	69.62	42.94	0.02	61.18	38.71	0.02	51.69	34.27	0.02	41.04	29.62	0.02
		62 (17)	63.39	48.06	0.02	55.66	43.85	0.02	47.21	39.53	0.02	38.21	35.15	0.02	30.59	30.59	0.08
	1250	72 (22)	107.37	52.63	0.00	98.97	48.52	0.00	89.37	44.04	0.01	78.59	39.23	0.02	66.39	34.13	0.02
		67 (19)	89.89	54.97	0.03	81.19	50.47	0.03	71.37	45.67	0.03	60.28	40.57	0.03	47.77	35.20	0.03
		62 (17)	73.97	56.83	0.03	64.99	52.05	0.03	55.22	47.14	0.03	44.93	42.16	0.04	36.94	36.94	0.11
36	900	72 (22)	58.10	28.30	0.00	53.40	25.90	0.00	48.00	23.30	0.00	42.10	20.60	0.01	35.50	17.80	0.02
		67 (19)	48.90	29.50	0.02	44.00	26.90	0.03	38.50	24.20	0.03	32.50	21.30	0.03	25.90	18.40	0.03
		62 (17)	40.40	30.40	0.03	35.40	27.70	0.03	29.90	24.90	0.03	24.20	22.10	0.04	19.40	19.40	0.08
	1200	72 (22)	70.00	33.90	0.00	64.30	31.20	0.00	57.80	28.30	0.02	50.70	25.10	0.04	42.70	21.80	0.05
		67 (19)	58.90	35.90	0.05	53.10	32.90	0.05	46.50	29.70	0.05	39.30	26.40	0.06	31.20	22.90	0.06
		62 (17)	48.80	37.50	0.06	42.80	34.30	0.06	36.30	31.00	0.06	29.60	27.80	0.06	24.40	24.40	0.13
	1500	72 (22)	79.30	38.60	0.00	72.90	35.60	0.02	65.70	32.30	0.05	57.50	28.80	0.06	48.50	25.10	0.07
		67 (19)	67.00	41.30	0.08	60.40	38.00	0.08	53.00	34.40	0.08	44.70	30.70	0.08	35.50	26.80	0.09
		62 (17)	55.70	43.60	0.09	48.80	40.00	0.09	41.60	36.50	0.09	34.20	32.90	0.10	28.80	28.80	0.18
37	900	72 (22)	86.45	42.79	0.00	79.79	39.28	0.00	72.26	35.55	0.00	63.72	31.59	0.00	54.22	27.47	0.00
		67 (19)	72.26	43.90	0.01	65.40	40.18	0.01	57.69	36.26	0.01	49.03	32.14	0.01	39.27	27.83	0.01
		62 (17)	59.44	44.77	0.01	52.40	40.88	0.01	44.62	36.85	0.01	36.17	32.73	0.01	28.45	28.45	0.06
	1200	72 (22)	106.02	52.03	0.00	97.94	48.01	0.00	88.72	43.65	0.00	78.38	39.00	0.01	66.68	34.06	0.01
		67 (19)	88.80	54.21	0.02	80.47	49.85	0.02	71.05	45.21	0.02	60.40	40.28	0.02	48.31	35.05	0.02
		62 (17)	73.18	55.98	0.02	64.58	51.37	0.02	55.14	46.59	0.02	44.93	41.66	0.02	36.59	36.59	0.08
	1500	72 (22)	122.09	59.72	0.00	112.86	55.34	0.00	102.29	50.48	0.02	90.55	45.34	0.02	77.08	39.79	0.03
		67 (19)	102.46	63.03	0.03	92.95	58.22	0.03	82.20	53.07	0.03	69.94	47.52	0.03	55.95	41.57	0.03
		62 (17)	84.62	65.86	0.03	74.82	60.74	0.03	64.08	55.41	0.03	52.61	49.87	0.04	43.79	43.79	0.12

— Continued on next page —

Legend:

CFM – Cubic Ft. per Minute

EWB – Entering Wet Bulb

LWB – Leaving Wet Bulb

TC – Gross Cooling Capacity 1000 Btuh

SHC – Gross Sensible Capacity 1000 Btuh

BF – Bypass Factor

COOLING CAPACITIES (MBH) (cont)

UNIT SIZE	INDOOR COIL AIR		SATURATED TEMPERATURE LEAVING EVAPORATOR °F (°C)														
			30 (-1)			35 (2)			40 (4)			45 (7)			50 (10)		
			TC	SHC	BF	TC	SHC	BF	TC	SHC	BF	TC	SHC	BF	TC	SHC	BF
42	1050	72 (22)	74.40	36.30	0.00	68.10	33.10	0.00	61.20	29.70	0.00	53.50	26.20	0.01	45.00	22.60	0.02
		67 (19)	62.30	37.60	0.02	56.00	34.20	0.03	48.90	30.60	0.03	41.20	27.00	0.03	32.80	23.30	0.03
		62 (17)	51.40	38.60	0.03	44.90	35.00	0.03	37.90	31.40	0.03	30.60	27.80	0.04	24.40	24.40	0.08
	1400	72 (22)	90.20	43.80	0.00	82.60	40.10	0.00	74.10	36.20	0.01	64.70	32.00	0.04	54.40	27.60	0.05
		67 (19)	75.80	46.00	0.05	68.00	42.00	0.05	59.40	37.70	0.06	50.00	33.40	0.06	39.60	28.90	0.06
		62 (17)	62.60	47.70	0.06	54.70	43.50	0.06	46.20	39.20	0.06	37.50	35.00	0.07	30.70	30.70	0.13
	1750	72 (22)	103.00	50.00	0.00	94.30	46.00	0.00	84.60	41.50	0.05	73.90	36.80	0.06	62.00	32.00	0.07
		67 (19)	86.70	53.10	0.08	77.80	48.60	0.08	68.00	43.90	0.08	57.10	39.00	0.08	45.20	33.90	0.09
		62 (17)	71.70	55.70	0.09	62.70	50.90	0.09	53.10	46.20	0.09	43.40	41.50	0.10	36.30	36.30	0.18
43	1050	72 (22)	96.72	47.64	0.00	89.31	43.85	0.00	80.91	39.78	0.00	71.39	35.44	0.00	60.74	30.89	0.01
		67 (19)	80.93	49.26	0.01	73.30	45.20	0.01	64.67	40.88	0.01	54.97	36.34	0.01	43.99	31.53	0.01
		62 (17)	66.64	50.56	0.01	58.77	46.28	0.01	50.10	41.84	0.01	40.70	37.29	0.02	32.63	32.63	0.07
	1400	72 (22)	117.07	57.30	0.00	108.20	53.03	0.00	98.03	48.31	0.01	86.74	43.33	0.02	73.81	37.96	0.02
		67 (19)	98.18	60.23	0.03	89.03	55.55	0.03	78.69	50.55	0.03	66.93	45.19	0.03	53.54	39.46	0.03
		62 (17)	81.03	62.70	0.03	71.60	57.72	0.03	61.25	52.56	0.03	50.15	47.21	0.03	41.46	41.46	0.11
	1750	72 (22)	133.38	65.28	0.00	123.30	60.58	0.02	111.98	55.48	0.03	99.21	50.01	0.04	84.49	44.04	0.04
		67 (19)	112.09	69.50	0.04	101.79	64.41	0.05	90.14	58.95	0.05	76.76	52.99	0.05	61.46	46.55	0.05
		62 (17)	92.72	73.26	0.05	82.16	67.85	0.05	70.58	62.18	0.05	58.38	56.24	0.06	49.33	49.33	0.15
48	1200	72 (22)	79.30	38.70	0.00	72.90	35.40	0.00	65.70	31.90	0.00	57.70	28.20	0.00	48.80	24.40	0.01
		67 (19)	66.60	40.20	0.02	60.00	36.60	0.02	52.70	32.90	0.02	44.60	29.10	0.02	35.70	25.10	0.03
		62 (17)	55.00	41.30	0.03	48.30	37.60	0.03	40.90	33.80	0.03	33.10	30.00	0.03	26.30	26.30	0.07
	1600	72 (22)	96.00	46.60	0.00	88.30	42.90	0.00	79.60	38.90	0.00	69.90	34.50	0.03	59.10	30.00	0.04
		67 (19)	80.90	49.20	0.04	72.90	45.00	0.04	64.10	40.70	0.05	54.20	36.10	0.05	43.30	31.40	0.05
		62 (17)	67.00	51.20	0.05	58.80	46.80	0.05	49.90	42.30	0.05	40.70	37.90	0.05	33.30	33.30	0.11
	2000	72 (22)	109.40	53.10	0.00	100.70	49.10	0.00	90.90	44.60	0.03	79.90	39.80	0.05	67.50	34.70	0.06
		67 (19)	92.40	56.70	0.06	83.40	52.20	0.07	73.30	47.40	0.07	62.00	42.20	0.07	49.50	36.90	0.07
		62 (17)	76.70	59.70	0.07	67.50	54.90	0.08	57.40	49.90	0.08	47.20	44.90	0.08	39.50	39.50	0.16
60	1600	72 (22)	103.20	50.40	0.00	94.40	45.90	0.00	84.80	41.10	0.00	74.10	36.30	0.00	62.40	31.20	0.02
		67 (19)	86.40	52.10	0.02	77.50	47.20	0.02	67.80	42.30	0.02	57.10	37.20	0.03	45.40	32.10	0.03
		62 (17)	71.20	53.30	0.03	62.20	48.30	0.03	52.40	43.30	0.03	42.30	38.30	0.03	33.50	33.50	0.07
	2000	72 (22)	120.70	58.70	0.00	110.40	53.60	0.00	99.00	48.20	0.00	86.40	42.50	0.02	72.60	36.70	0.03
		67 (19)	101.20	61.30	0.03	90.70	55.70	0.04	79.20	50.00	0.04	66.60	44.10	0.04	52.80	38.10	0.05
		62 (17)	83.40	63.20	0.05	72.80	57.40	0.05	61.40	51.60	0.05	49.70	46.00	0.05	40.30	40.30	0.11
	2400	72 (22)	135.60	65.80	0.00	124.10	60.30	0.00	111.20	54.40	0.01	97.00	48.00	0.04	81.30	41.50	0.05
		67 (19)	113.90	69.30	0.05	102.10	63.20	0.06	89.10	56.90	0.06	74.80	50.30	0.06	59.20	43.60	0.06
		62 (17)	94.10	72.10	0.06	82.10	65.70	0.06	69.30	59.30	0.06	56.40	53.00	0.07	46.50	46.50	0.14
61	1600	72 (22)	146.13	71.69	0.00	134.50	65.77	0.00	121.56	59.54	0.00	106.83	52.86	0.00	90.32	45.83	0.01
		67 (19)	122.06	74.12	0.02	110.18	67.82	0.02	96.85	61.17	0.02	81.83	54.15	0.02	64.91	46.78	0.02
		62 (17)	100.28	76.03	0.02	88.07	69.40	0.02	74.72	62.59	0.02	60.46	55.67	0.02	48.56	48.56	0.08
	2000	72 (22)	169.63	82.84	0.00	156.39	76.39	0.00	141.33	69.41	0.01	124.36	61.86	0.02	105.10	53.83	0.02
		67 (19)	142.02	86.75	0.03	128.36	79.72	0.03	112.89	72.20	0.03	95.38	64.18	0.03	75.60	55.70	0.03
		62 (17)	116.90	89.93	0.03	102.76	82.43	0.03	87.41	74.75	0.03	71.17	66.88	0.04	58.57	58.57	0.11
	2400	72 (22)	189.44	92.42	0.00	174.81	85.58	0.00	158.22	77.98	0.02	139.30	69.76	0.03	117.75	60.94	0.04
		67 (19)	158.99	97.85	0.04	143.83	90.25	0.04	126.61	82.05	0.04	107.02	73.24	0.05	84.86	63.87	0.05
		62 (17)	131.10	102.40	0.05	115.46	94.29	0.05	98.49	85.91	0.05	80.79	77.29	0.06	67.60	67.60	0.14

Legend:

CFM – Cubic Ft. per Minute EWB – Entering Wet Bulb LWB – Leaving Wet Bulb TC – Gross Cooling Capacity 1000 Btuh
 SHC – Gross Sensible Capacity 1000 Btuh BF – Bypass Factor MBH – 1000 Btuh

See notes following.

NOTES:

- Contact manufacturer for cooling capacities at conditions other than shown in table.
- Formulas:
 Leaving db = $\frac{\text{entering db} - \text{sensible heat cap.}}{1.09 \times \text{CFM}}$
 Leaving wb = wb corresponding to enthalpy of air leaving coil (h_{LWB})

$$h_{LWB} = h_{EWB} - \frac{\text{total capacity (Btuh)}}{4.5 \times \text{CFM}}$$
 Where h_{EWB} = enthalpy of air entering coil
- SHC is based on 80°F (27°C) db temperature of air entering the evaporator coil.
 Below 80°F (27°C) db, subtract (Correction Factor x CFM) from SHC.
 Above 80°F (27°C) db, add (Correction Factor x CFM) to SHC.
- Direct interpolation is permissible. Do not extrapolate.
- Fan motor heat has not been deducted.
- All data points are based on 10°F (-12°C) superheat leaving coil and use of thermostatic expansion valve (TXV) device.
- The END4X, ENW4X, and ENA4X coils can be used in any properly designed system using R-410A refrigerant.
- Before using maximum cfm shown in table, check coil static pressure drop to ensure system blower can provide necessary static pressure needed for coil and duct systems.
- Bypass Factor = 0 indicates no psychrometric solution. Use bypass factor of next lower EWB for approximation.

BYPASS FACTOR	ENTERING AIR DRY BULB TEMPERATURE °F (°C)					
	79 (26)	78 (26)	77 (25)	76 (24)	75 (24)	Under 75 (24)
	81 (27)	82 (28)	83 (28)	84 (29)	84 (29)	Above 85 (29)
	Correction Factor					
0.10	0.98	1.96	2.94	3.92	4.91	Use formula shown below
0.20	0.87	1.74	2.62	3.49	4.36	
0.30	0.76	1.53	2.29	3.05	3.82	

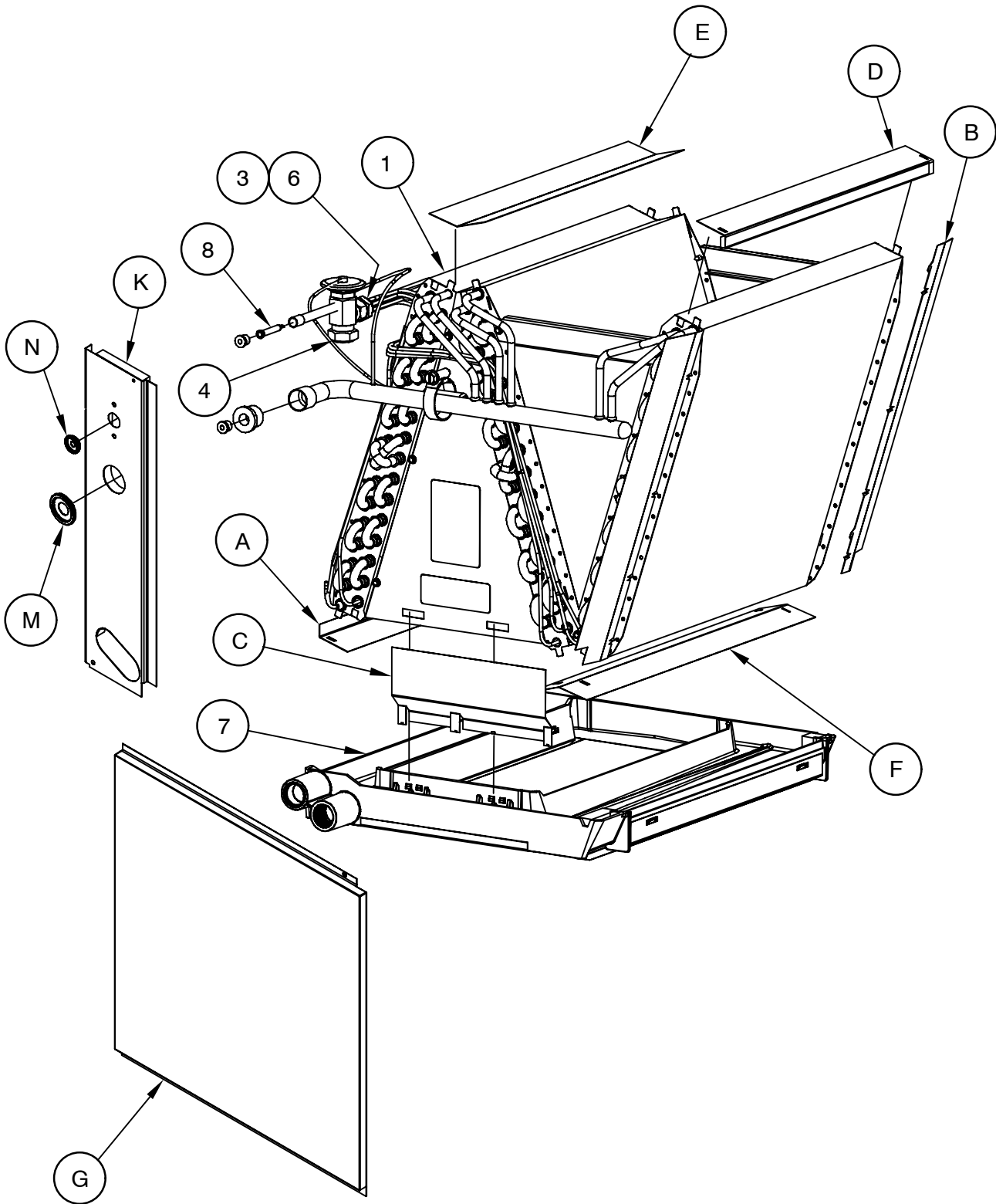
Interpolation is permissible.
 Correction Factor = $1.09 \times (1 - \text{BF}) \times (\text{db} - 80)$

COIL STATIC PRESSURE DROP (in. w.c.)																					
UNIT SIZE	Standard CFM																				
	400	500	600	700	800	900	1000	1100	1200	1300	1400	1500	1600	1700	1800	1900	2000	2100	2200		
18*14	Dry																				
	0.078	0.114	0.156	0.198	0.253																
19*17	Wet																				
	0.096	0.138	0.183	0.213	0.277																
24*14	Dry																				
	0.042	0.060	0.080	0.102	0.128																
24*17	Wet																				
	0.055	0.076	0.104	0.127	0.158																
24*14	Dry																				
	0.070	0.103	0.143	0.182	0.233	0.290	0.354														
24*17	Wet																				
	0.089	0.128	0.171	0.214	0.269	0.336	0.413														
30*14	Dry																				
	0.048	0.068	0.090	0.112	0.140	0.170	0.203														
30*17	Wet																				
	0.064	0.091	0.122	0.150	0.188	0.224	0.263														
30*14	Dry																				
	0.065	0.097	0.135	0.173	0.223	0.278	0.339	0.405	0.478												
30*17	Wet																				
	0.078	0.114	0.160	0.206	0.260	0.321	0.388	0.461	0.540												
30*17	Dry																				
	0.042	0.060	0.080	0.102	0.128	0.157	0.188	0.222	0.259												
31*17	Wet																				
	0.055	0.076	0.104	0.127	0.158	0.190	0.225	0.266	0.309												
31*17	Dry																				
	0.031	0.046	0.063	0.083	0.105	0.130	0.156	0.193	0.230												
36*17	Wet																				
	0.039	0.056	0.075	0.097	0.121	0.149	0.179	0.212	0.249												
36*17	Dry																				
	0.043	0.061	0.082	0.103	0.128	0.157	0.189	0.221	0.259	0.299	0.341										
36*21	Wet																				
	0.056	0.079	0.107	0.133	0.166	0.200	0.236	0.276	0.315	0.361	0.413										
36*21	Dry																				
	0.035	0.048	0.062	0.076	0.093	0.111	0.132	0.153	0.177	0.201	0.228										
37*17	Wet																				
	0.049	0.066	0.085	0.100	0.122	0.144	0.171	0.192	0.217	0.245	0.276										
37*17	Dry																				
	0.025	0.038	0.054	0.072	0.093	0.117	0.143	0.171	0.205	0.233	0.273										
42*17	Wet																				
	0.030	0.044	0.061	0.079	0.103	0.125	0.154	0.182	0.216	0.251	0.288										
42*17	Dry																				
			0.072	0.093	0.118	0.145	0.175	0.206	0.243	0.281	0.322	0.366	0.413								
42*21	Wet																				
			0.079	0.102	0.130	0.159	0.192	0.228	0.26	0.303	0.348	0.396	0.446								
42*21	Dry																				
	0.030	0.041	0.054	0.066	0.082	0.099	0.118	0.137	0.158	0.180	0.205	0.231	0.259								
43*24	Wet																				
	0.043	0.059	0.078	0.101	0.126	0.153	0.181	0.207	0.234	0.260	0.288	0.319	0.354								
43*24	Dry																				
				0.053	0.062	0.073	0.084	0.097	0.111	0.126	0.138	0.154	0.172	0.190	0.210						
48*21	Wet																				
				0.067	0.082	0.096	0.112	0.129	0.145	0.163	0.171	0.191	0.212	0.235	0.258						
48*21	Dry																				
			0.047	0.060	0.075	0.092	0.110	0.130	0.152	0.176	0.204	0.230	0.256	0.284	0.318						
48*24	Wet																				
			0.053	0.067	0.085	0.104	0.125	0.147	0.172	0.200	0.228	0.259	0.292	0.327	0.365						
48*24	Dry																				
			0.015	0.046	0.057	0.069	0.094	0.100	0.119	0.124	0.140	0.158	0.175	0.195	0.214						
60*24	Wet																				
				0.032	0.050	0.066	0.081	0.097	0.114	0.131	0.150	0.169	0.190	0.211	0.233	0.257					
60*24	Dry																				
					0.062	0.073	0.084	0.097	0.111	0.126	0.138	0.154	0.172	0.190	0.210	0.228	0.251	0.273	0.293		
61*24	Wet																				
					0.082	0.096	0.112	0.129	0.145	0.163	0.171	0.191	0.212	0.235	0.258	0.283	0.310	0.336	0.366		
61*24	Dry																				
											0.130	0.140	0.160	0.180	0.200	0.220	0.240	0.270	0.290		
61*24	Wet																				
											0.150	0.170	0.190	0.210	0.230	0.260	0.290	0.310	0.340		

* C= Plain Copper, T= Tin Coated Copper

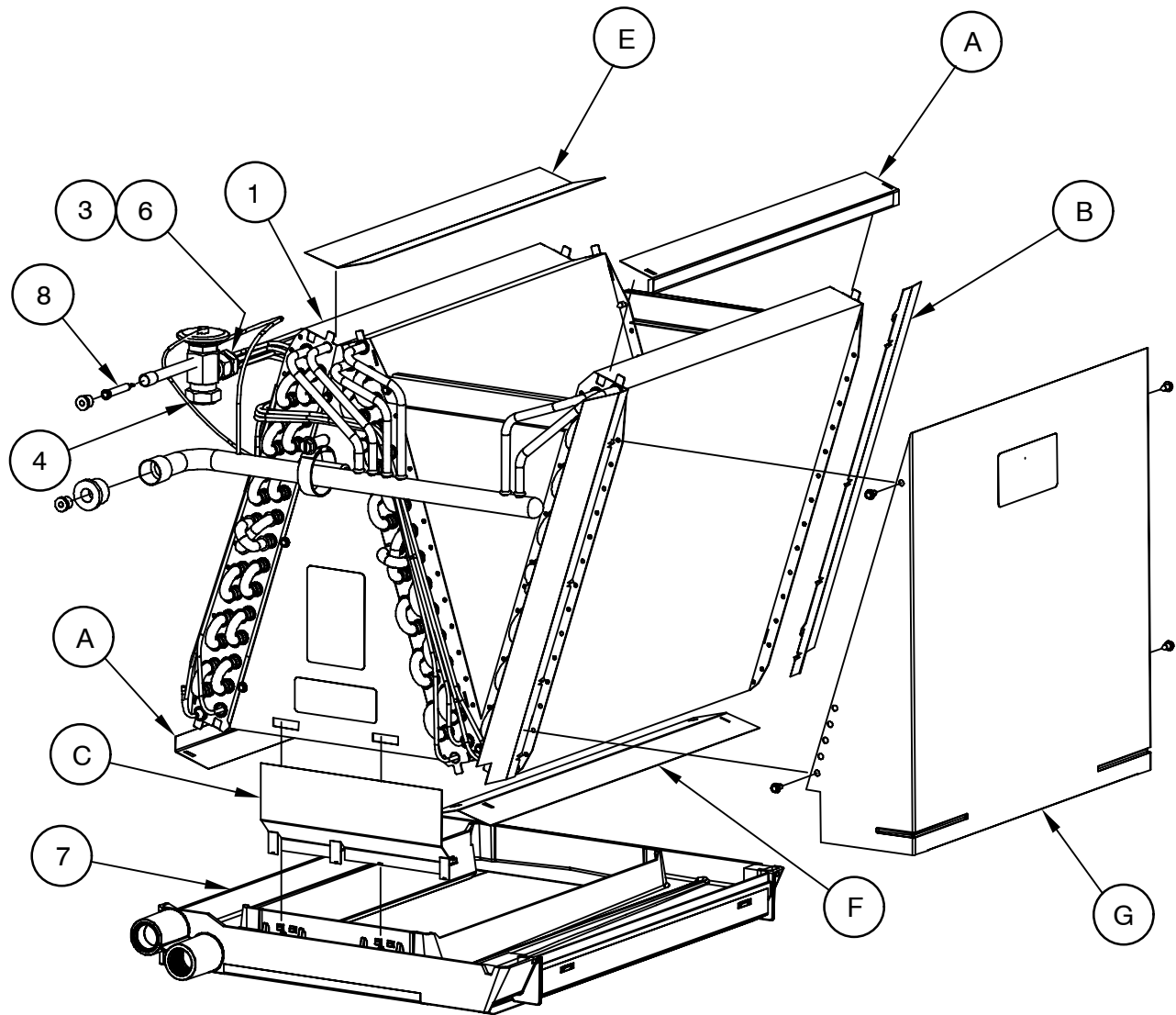
END4X & ENW4X

NOTE: This illustration is for reference only. Your unit may differ in appearance or may not include all components shown.



ENA4X

NOTE: This illustration is for reference only. Your unit may differ in appearance or may not include all components shown.



END4X PARTS LIST

KEY NO.	DESCRIPTION	PART NO.	END4X PARTS LIST																	
			END4X18C14A2	END4X18T14A2	END4X19C17A2	END4X19T17A2	END4X24C14A2	END4X24C17A2	END4X24T14A2	END4X24T17A2	END4X30C14A2	END4X30C17A2	END4X30T14A2	END4X30T17A2	END4X31C17A2	END4X31T17A2	END4X36C17A2	END4X36C21A2	END4X36T17A2	END4X36T21A2
1	COIL ASY EVAP	1183182	1	-	-	-	-	-	-	-	-	-	-	-	-	-	-	-	-	-
1	COIL ASY EVAP	1183183	-	-	-	-	-	1	-	-	-	-	-	-	-	-	-	-	-	-
1	COIL ASY EVAP	1183184	-	-	-	-	-	1	-	-	-	-	-	-	-	-	-	-	-	-
1	COIL ASY EVAP	1183185	-	-	-	-	-	-	-	-	1	-	-	-	-	-	-	-	-	-
1	COIL ASY EVAP	1183186	-	-	-	-	-	-	-	-	-	1	-	-	-	-	-	-	-	-
1	COIL ASY EVAP	1183187	-	-	-	-	-	-	-	-	-	-	1	-	-	-	-	-	-	-
1	COIL ASY EVAP	1183188	-	-	-	-	-	-	-	-	-	-	-	-	-	-	1	-	-	-
1	COIL ASY EVAP TINNED	1183224	-	1	-	-	-	-	-	-	-	-	-	-	-	-	-	-	-	-
1	COIL ASY EVAP TINNED	1183225	-	-	-	-	-	-	1	-	-	-	-	-	-	-	-	-	-	-
1	COIL ASY EVAP TINNED	1183226	-	-	-	-	-	-	-	1	-	-	-	-	-	-	-	-	-	-
1	COIL ASY EVAP TINNED	1183227	-	-	-	-	-	-	-	-	1	-	-	-	-	-	-	-	-	-
1	COIL ASY EVAP TINNED	1183228	-	-	-	-	-	-	-	-	-	-	1	-	-	-	-	-	-	-
1	COIL ASY EVAP TINNED	1183229	-	-	-	-	-	-	-	-	-	-	-	-	-	-	-	1	-	-
1	COIL ASY EVAP TINNED	1183230	-	-	-	-	-	-	-	-	-	-	-	-	-	-	-	-	1	-
1	COIL ASY EVAP TINNED	1183305	-	-	-	1	-	-	-	-	-	-	-	-	-	-	-	-	-	-
1	COIL ASY EVAP TINNED	1183306	-	-	-	-	-	-	-	-	-	-	-	-	1	-	-	-	-	-
3	DISTRIBUTOR	1183249	1	1	1	1	1	1	1	1	-	-	-	-	-	-	-	-	-	-
3	DISTRIBUTOR	1183250	-	-	-	-	-	-	-	1	1	1	1	1	1	1	1	1	1	1
4	TXV 2.0 TON	1176875	-	-	1	1	-	-	-	-	-	-	-	-	-	-	-	-	-	-
4	VALVE TXV 3.0 TON R-410A	1183193	-	-	-	-	-	-	-	1	1	1	1	1	1	-	-	-	-	-
4	VALVE TXV 3.0 TON R-410A	1183194	1	1	-	-	1	1	1	1	-	-	-	-	-	-	-	-	-	-
4	VALVE TXV 4.0 TON R-410A	1183195	-	-	-	-	-	-	-	-	-	-	-	-	-	-	1	1	1	1
6	DISTRIBUTOR ASY	1183201	1	1	1	1	1	1	1	1	-	-	-	-	-	-	-	-	-	-
6	DISTRIBUTOR ASY	1183203	-	-	-	-	-	-	-	1	1	1	1	1	1	1	1	1	1	1
7	CNDS PAN ASSY	1183608	1	1	-	-	1	-	1	-	1	-	1	-	-	-	-	-	-	-
7	CNDS PAN ASSY	1183609	-	-	1	1	-	1	-	1	-	1	-	1	1	1	1	-	1	-
7	CNDS PAN ASSY	1183610	-	-	-	-	-	-	-	-	-	-	-	-	-	-	-	1	-	1
8	STRAINER	1171740	1	1	1	1	1	1	1	1	1	1	1	1	1	1	1	1	1	1
A	SHIELD	1173364	1	1	1	1	1	1	1	1	1	1	1	1	1	1	1	1	1	1
B	EXTENSION COIL	1183216	1	1	-	-	-	-	-	-	-	-	-	-	-	-	-	-	-	-
B	EXTENSION COIL	1183217	-	-	-	-	1	1	1	1	-	-	-	-	-	-	-	-	-	-
B	EXTENSION COIL	1183218	-	-	1	1	-	-	-	1	1	1	1	-	-	1	1	1	1	1
B	EXTENSION COIL	1183220	-	-	-	-	-	-	-	-	-	-	-	-	1	1	-	-	-	-
C	EXT CNDS PAN	1183222	-	-	1	1	-	1	-	1	-	1	-	1	1	1	1	1	1	1
C	EXT CNDS PAN	1183223	1	1	-	-	1	-	1	-	1	-	1	-	-	-	-	-	-	-
D	SHIELD	1176827	1	1	1	1	1	1	1	1	1	1	1	1	1	1	1	1	1	1
E	SHIELD LEFT/CENTER COIL	1173367	1	1	1	1	1	1	1	1	1	1	1	1	1	1	1	1	1	1
F	SHIELD RIGHT COIL	1173368	1	1	1	1	1	1	1	1	1	1	1	1	1	1	1	1	1	1
G	COVER ASY	1183336	1	1	-	-	-	-	-	-	-	-	-	-	-	-	-	-	-	-
G	COVER ASY	1183337	-	-	1	1	-	-	-	-	-	1	-	1	-	-	1	-	1	-
G	COVER ASY	1183338	-	-	-	-	1	-	1	-	-	-	-	-	-	-	-	-	-	-
G	COVER ASY	1183339	-	-	-	-	-	1	-	1	-	-	-	-	-	-	-	-	-	-
G	COVER ASY	1183340	-	-	-	-	-	-	-	-	1	-	1	-	-	-	-	-	-	-
G	COVER ASY	1183341	-	-	-	-	-	-	-	-	-	-	-	-	1	1	-	-	-	-
G	COVER ASY	1183343	-	-	-	-	-	-	-	-	-	-	-	-	-	-	-	1	-	1
K	COVER ASY ACCESS	1183322	1	1	-	-	-	-	-	-	-	-	-	-	-	-	-	-	-	-
K	COVER ASY ACCESS	1183323	-	-	1	1	-	-	-	-	-	1	-	1	-	-	1	-	1	-
K	COVER ASY ACCESS	1183324	-	-	-	-	1	-	1	-	-	-	-	-	-	-	-	-	-	-
K	COVER ASY ACCESS	1183325	-	-	-	-	-	1	-	1	-	-	-	-	-	-	-	-	-	-
K	COVER ASY ACCESS	1183326	-	-	-	-	-	-	-	-	1	-	1	-	-	-	-	-	-	-
K	COVER ASY ACCESS	1183327	-	-	-	-	-	-	-	-	-	-	-	-	1	1	-	-	-	-
K	COVER ASY ACCESS	1183329	-	-	-	-	-	-	-	-	-	-	-	-	-	-	-	1	-	1
M	GROMMET SUCT LINE 3/4"	1173159	-	-	1	1	-	-	-	-	1	1	1	1	1	1	1	1	1	1
M	GROMMET SUCT LINE 5/8"	1173158	1	1	-	-	1	1	1	1	-	-	-	-	-	-	-	-	-	-
N	GROMMET LIQ LINE 3/8"	1173157	1	1	1	1	1	1	1	1	1	1	1	1	1	1	1	1	1	1

END4X PARTS LIST (continued)																		
KEY NO.	DESCRIPTION	PART NO.	END4X37C17A2	END4X37T17A2	END4X42C17A2	END4X42C21A2	END4X42T17A2	END4X42T21A2	END4X43C24A2	END4X43T24A2	END4X48C21A2	END4X48C24A2	END4X48T21A2	END4X48T24A2	END4X60C24A2	END4X60T24A2	END4X61C24A2	END4X61T24A2
1	COIL ASY EVAP	1183189	-	-	-	1	-	-	-	-	-	-	-	-	-	-	-	-
1	COIL ASY EVAP	1183190	-	-	-	-	-	-	-	-	1	-	-	-	-	-	-	-
1	COIL ASY EVAP	1183191	-	-	-	-	-	-	-	-	-	1	-	-	-	-	-	-
1	COIL ASY EVAP	1183192	-	-	-	-	-	-	-	-	-	-	-	-	1	-	-	-
1	COIL ASY EVAP TINNED	1183231	-	-	-	-	-	1	-	-	-	-	-	-	-	-	-	-
1	COIL ASY EVAP TINNED	1183232	-	-	-	-	-	-	-	-	-	-	1	-	-	-	-	-
1	COIL ASY EVAP TINNED	1183233	-	-	-	-	-	-	-	-	-	-	-	1	-	-	-	-
1	COIL ASY EVAP TINNED	1183234	-	-	-	-	-	-	-	-	-	-	-	-	-	1	-	-
1	COIL ASY EVAP TINNED	1183304	-	-	-	-	-	-	-	-	-	-	-	-	-	-	-	1
1	COIL ASY EVAP TINNED	1183307	-	1	-	-	-	-	-	-	-	-	-	-	-	-	-	-
1	COIL ASY EVAP TINNED	1183308	-	-	-	-	-	-	-	1	-	-	-	-	-	-	-	-
1	COIL ASY EVAP TINNED	1183369	-	-	-	-	1	-	-	-	-	-	-	-	-	-	-	-
3	DISTRIBUTOR	1183250	1	1	1	1	1	1	1	1	1	1	1	1	-	-	-	-
3	DISTRIBUTOR	1183251	-	-	-	-	-	-	-	-	-	-	-	-	1	1	1	1
4	VALVE TXV 4.0 TON R-410A	1183195	1	1	1	1	1	1	1	1	-	-	-	-	-	-	-	-
4	VALVE TXV 6 TON R-410A	1183196	-	-	-	-	-	-	-	-	1	1	1	1	1	1	-	-
4	VALVE TXV 6.0 TON R-410A	1183293	-	-	-	-	-	-	-	-	-	-	-	-	-	-	1	1
6	DISTRIBUTOR ASY	1183200	-	-	1	1	1	1	1	1	1	1	1	1	-	-	-	-
6	DISTRIBUTOR ASY	1183202	-	-	-	-	-	-	-	-	-	-	-	-	1	1	-	-
6	DISTRIBUTOR ASY	1183203	1	1	-	-	-	-	-	-	-	-	-	-	-	-	-	-
6	DISTRIBUTOR ASY	1183294	-	-	-	-	-	-	-	-	-	-	-	-	-	-	1	1
7	CNDS PAN ASSY	1183609	1	1	1	-	1	-	-	-	-	-	-	-	-	-	-	-
7	CNDS PAN ASSY	1183610	-	-	-	1	-	1	-	-	1	-	1	-	-	-	-	-
7	CNDS PAN ASSY	1183611	-	-	-	-	-	-	1	1	-	1	-	1	1	1	1	1
8	STRAINER	1171740	1	1	1	1	1	1	1	1	1	1	1	1	1	1	1	1
A	SHIELD	1173364	1	1	1	1	1	1	1	1	1	1	1	1	1	1	1	1
B	EXTENSION COIL	1183219	-	-	-	1	-	1	-	-	-	-	-	-	-	-	-	-
B	EXTENSION COIL	1183220	-	-	-	-	-	-	-	-	1	1	1	1	-	-	-	-
B	EXTENSION COIL	1183221	1	1	-	-	-	-	1	1	-	-	-	-	1	1	-	-
B	EXTENSION COIL	1183295	-	-	-	-	-	-	-	-	-	-	-	-	-	-	1	1
B	EXTENSION REAR	1183350	-	-	1	-	1	-	-	-	-	-	-	-	-	-	-	-
C	EXT CNDS PAN	1183222	1	1	1	1	1	1	1	1	1	1	1	1	1	1	1	1
D	SHIELD	1176827	1	1	1	1	1	1	1	1	1	1	1	1	1	1	1	1
E	SHIELD LEFT/CENTER COIL	1173367	1	1	1	1	1	1	1	1	1	1	1	1	1	1	1	1
F	SHIELD RIGHT COIL	1173368	-	-	1	1	1	1	1	1	1	1	1	1	1	1	1	1
F	SHIELD	1183296	1	1	-	-	-	-	-	-	-	-	-	-	-	-	-	-
G	COVER ASY	1183342	1	1	-	-	-	-	-	-	-	-	-	-	-	-	-	-
G	COVER ASY	1183344	-	-	1	-	1	-	-	-	-	-	-	-	-	-	-	-
G	COVER ASY	1183345	-	-	-	1	-	1	-	-	-	-	-	-	-	-	-	-
G	COVER ASY	1183346	-	-	-	-	-	-	1	1	-	-	-	-	1	1	-	-
G	COVER ASY	1183347	-	-	-	-	-	-	-	-	1	-	1	-	-	-	-	-
G	COVER ASY	1183348	-	-	-	-	-	-	-	-	-	1	-	1	-	-	-	-
G	COVER ASY	1183349	-	-	-	-	-	-	-	-	-	-	-	-	-	-	1	1
K	COVER ASY ACCESS	1183328	1	1	-	-	-	-	-	-	-	-	-	-	-	-	-	-
K	COVER ASY ACCESS	1183330	-	-	1	-	1	-	-	-	-	-	-	-	-	-	-	-
K	COVER ASY ACCESS	1183331	-	-	-	1	-	1	-	-	-	-	-	-	-	-	-	-
K	COVER ASY ACCESS	1183332	-	-	-	-	-	-	1	1	-	-	-	-	1	1	-	-
K	COVER ASY ACCESS	1183333	-	-	-	-	-	-	-	-	1	-	1	-	-	-	-	-
K	COVER ASY ACCESS	1183334	-	-	-	-	-	-	-	-	-	1	-	1	-	-	-	-
K	COVER ASY ACCESS	1183335	-	-	-	-	-	-	-	-	-	-	-	-	-	-	1	1
M	GROMMET SUCT LINE 3/4"	1173159	-	-	1	1	1	1	-	-	-	-	-	-	-	-	-	-
M	GROMMET SUCT LINE 7/8"	1173160	1	1	-	-	-	-	1	1	1	1	1	1	1	1	1	1
N	GROMMET LIQ LINE 3/8"	1173157	1	1	1	1	1	1	1	1	1	1	1	1	1	1	1	1

ENW4X PARTS LIST

KEY NO.	DESCRIPTION	PART NO.	ENW4X36C17A2	ENW4X36T17A2	ENW4X42C21A2	ENW4X42T21A2	ENW4X48C21A2	ENW4X48T21A2	ENW4X60C24A2	ENW4X60T24A2
1	COIL ASY EVAP	1183187	1	-	-	-	-	-	-	-
1	COIL ASY EVAP	1183189	-	-	1	-	-	-	-	-
1	COIL ASY EVAP	1183190	-	-	-	-	1	-	-	-
1	COIL ASY EVAP	1183192	-	-	-	-	-	-	1	-
1	COIL ASY EVAP TINNED	1183229	-	1	-	-	-	-	-	-
1	COIL ASY EVAP TINNED	1183231	-	-	-	1	-	-	-	-
1	COIL ASY EVAP TINNED	1183232	-	-	-	-	-	1	-	-
1	COIL ASY EVAP TINNED	1183234	-	-	-	-	-	-	-	1
3	DISTRIBUTOR	1183250	1	1	1	1	1	1	1	1
3	DISTRIBUTOR ASY	1183200	-	-	1	1	1	1	-	-
3	DISTRIBUTOR ASY	1183202	-	-	-	-	-	-	1	1
3	DISTRIBUTOR ASY	1183203	1	1	-	-	-	-	-	-
4	VALVE TXV 4.0 TON R-410A	1183195	1	1	1	1	-	-	-	-
4	VALVE TXV 6 TON R-410A	1183196	-	-	-	-	1	1	1	1
7	CNDS PAN ASSY	1183609	1	1	-	-	-	-	-	-
7	CNDS PAN ASSY	1183610	-	-	1	1	1	1	-	-
7	CNDS PAN ASSY	1183611	-	-	-	-	-	-	1	1
8	STRAINER	1171740	1	1	1	1	1	1	1	1
B	EXT CNDS PAN	1183222	1	1	1	1	1	1	1	1
B	EXTENSION COIL	1183218	1	1	-	-	-	-	-	-
B	EXTENSION COIL	1183219	-	-	1	1	-	-	-	-
B	EXTENSION COIL	1183220	-	-	-	-	1	1	-	-
B	EXTENSION COIL	1183221	-	-	-	-	-	-	1	1
D	SHIELD	1173364	1	1	1	1	1	1	1	1
D	SHIELD	1176827	1	1	1	1	1	1	1	1
E	SHIELD LEFT/CENTER COIL	1173367	1	1	1	1	1	1	1	1
F	SHIELD RIGHT COIL	1173368	1	1	1	1	1	1	1	1
G	COVER ASY	1183337	1	1	-	-	-	-	-	-
G	COVER ASY	1183345	-	-	1	1	-	-	-	-
G	COVER ASY	1183346	-	-	-	-	-	-	1	1
G	COVER ASY	1183347	-	-	-	-	1	1	-	-
K	COVER ASY ACCESS	1183323	1	1	-	-	-	-	-	-
K	COVER ASY ACCESS	1183331	-	-	1	1	-	-	-	-
K	COVER ASY ACCESS	1183332	-	-	-	-	-	-	1	1
K	COVER ASY ACCESS	1183333	-	-	-	-	1	1	-	-
M	GROMMET SUCT LINE 3/4"	1173159	1	1	1	1	-	-	-	-
M	GROMMET SUCT LINE 7/8"	1173160	-	-	-	-	1	1	1	1
N	GROMMET LIQ LINE 3/8"	1173157	1	1	1	1	1	1	1	1

ENA4X PARTS LIST

KEY NO.	DESCRIPTION	PART NO.	ENA4X18C14A2	ENA4X18T14A2	ENA4X19C17A2	ENA4X19T17A2	ENA4X24C14A2	ENA4X24C17A2	ENA4X24T14A2	ENA4X24T17A2	ENA4X30C14A2	ENA4X30C17A2	ENA4X30T14A2	ENA4X30T17A2	ENA4X31C17A2	ENA4X31T17A2	ENA4X36C17A2	ENA4X36C21A2
1	COIL ASY EVAP	1183182	1	-	-	-	-	-	-	-	-	-	-	-	-	-	-	-
1	COIL ASY EVAP	1183183	-	-	-	-	1	-	-	-	-	-	-	-	-	-	-	-
1	COIL ASY EVAP	1183184	-	-	-	-	-	1	-	-	-	-	-	-	-	-	-	-
1	COIL ASY EVAP	1183185	-	-	-	-	-	-	-	-	1	-	-	-	-	-	-	-
1	COIL ASY EVAP	1183186	-	-	-	-	-	-	-	-	-	1	-	-	-	-	-	-
1	COIL ASY EVAP	1183187	-	-	-	-	-	-	-	-	-	-	-	-	-	-	1	-
1	COIL ASY EVAP	1183188	-	-	-	-	-	-	-	-	-	-	-	-	-	-	-	1
1	COIL ASY EVAP TINNED	1183224	-	1	-	-	-	-	-	-	-	-	-	-	-	-	-	-
1	COIL ASY EVAP TINNED	1183225	-	-	-	-	-	-	1	-	-	-	-	-	-	-	-	-
1	COIL ASY EVAP TINNED	1183226	-	-	-	-	-	-	-	1	-	-	-	-	-	-	-	-
1	COIL ASY EVAP TINNED	1183227	-	-	-	-	-	-	-	-	-	-	1	-	-	-	-	-
1	COIL ASY EVAP TINNED	1183228	-	-	-	-	-	-	-	-	-	-	-	1	-	-	-	-
1	COIL ASY EVAP TINNED	1183305	-	-	-	1	-	-	-	-	-	-	-	-	-	-	-	-
1	COIL ASY EVAP TINNED	1183306	-	-	-	-	-	-	-	-	-	-	-	-	-	1	-	-
4	TXV 2.0 TON	1176875	-	-	1	1	-	-	-	-	-	-	-	-	-	-	-	-
4	VALVE TXV 3.0 TON R-410A	1183193	-	-	-	-	-	-	-	-	1	1	1	1	1	1	-	-
4	VALVE TXV 3.0 TON R-410A	1183194	1	1	-	-	1	1	1	1	-	-	-	-	-	-	-	-
4	VALVE TXV 4.0 TON R-410A	1183195	-	-	-	-	-	-	-	-	-	-	-	-	-	-	1	1
6	DISTRIBUTOR	1183249	1	1	1	1	1	1	1	1	-	-	-	-	-	-	-	-
6	DISTRIBUTOR	1183250	-	-	-	-	-	-	-	-	1	1	1	1	1	1	1	1
6	DISTRIBUTOR ASY	1183201	1	1	1	1	1	1	1	1	-	-	-	-	-	-	-	-
6	DISTRIBUTOR ASY	1183203	-	-	-	-	-	-	-	-	1	1	1	1	1	1	1	1
7	CNDS PAN ASSY	1183608	1	1	-	-	1	-	1	-	1	-	1	-	-	-	-	-
7	CNDS PAN ASSY	1183609	-	-	1	1	-	1	-	1	-	1	-	1	1	1	1	-
7	CNDS PAN ASSY	1183610	-	-	-	-	-	-	-	-	-	-	-	-	-	-	-	1
8	STRAINER	1171740	1	1	1	1	1	1	1	1	1	1	1	1	1	1	1	1
A	SHIELD	1173364	2	2	2	2	2	2	2	2	2	2	2	2	2	2	2	2
B	EXTENSION COIL	1183216	1	1	-	-	-	-	-	-	-	-	-	-	-	-	-	-
B	EXTENSION COIL	1183217	-	-	-	-	1	1	1	1	-	-	-	-	-	-	-	-
B	EXTENSION COIL	1183218	-	-	1	1	-	-	-	-	1	1	1	1	-	-	1	1
B	EXTENSION COIL	1183220	-	-	-	-	-	-	-	-	-	-	-	-	1	1	-	-
C	EXT CNDS PAN	1183222	-	-	1	1	-	1	-	1	-	1	-	1	1	1	1	1
C	EXT CNDS PAN	1183223	1	1	-	-	1	-	1	-	1	-	1	-	-	-	-	-
E	SHIELD LEFT/CENTER COIL	1173367	1	1	1	1	1	1	1	1	1	1	1	1	1	1	1	1
F	SHIELD RIGHT COIL	1173368	1	1	1	1	1	1	1	1	1	1	1	1	1	1	1	1
G	ENCLOSURE COIL	1173381	-	-	-	-	-	-	-	-	-	1	-	1	-	-	1	-
G	ENCLOSURE COIL	1183207	1	1	-	-	-	-	-	-	-	-	-	-	-	-	-	-
G	ENCLOSURE COIL	1183208	-	-	-	-	1	-	1	-	-	-	-	-	-	-	-	-
G	ENCLOSURE COIL	1183210	-	-	-	-	-	-	-	-	1	-	1	-	-	-	-	-
G	ENCLOSURE COIL	1183213	-	-	-	-	-	1	-	1	-	-	-	-	-	-	-	-
G	ENCLOSURE COIL	1183214	-	-	-	-	-	-	-	-	-	-	-	-	-	-	-	1
G	ENCLOSURE COIL	1183297	-	-	1	1	-	-	-	-	-	-	-	-	-	-	-	-
G	ENCLOSURE COIL	1183298	-	-	-	-	-	-	-	-	-	-	-	-	1	1	-	-
PARTS NOT SHOWN																		
)	ADAPTER DRN MALE LA	1085010	1	1	1	1	1	1	1	1	1	1	1	1	1	1	1	1
)	GROMMET LIQ LINE 3/8"	1173157	1	1	1	1	1	1	1	1	1	1	1	1	1	1	1	1
)	GROMMET SUCT LINE 3/4"	1173159	-	-	1	1	-	-	-	-	1	1	1	1	1	1	1	1
)	GROMMET SUCT LINE 5/8"	1173158	1	1	-	-	1	1	1	1	-	-	-	-	-	-	-	-
)	WASHER TEFLON	1174012	1	1	1	1	1	1	1	1	1	1	1	1	1	1	1	1

ENA4X PARTS LIST

KEY NO.	DESCRIPTION	PART NO.	ENA4X36T17A2	ENA4X36T21A2	ENA4X37C17A2	ENA4X37T17A2	ENA4X42C21A2	ENA4X42T21A2	ENA4X43C24A2	ENA4X43T24A2	ENA4X48C21A2	ENA4X48C24A2	ENA4X48T21A2	ENA4X48T24A2	ENA4X60C24A2	ENA4X60T24A2	ENA4X61C24A2	ENA4X61T24A2
1	COIL ASY EVAP	1183189	-	-	-	-	1	-	-	-	-	-	-	-	-	-	-	-
1	COIL ASY EVAP	1183190	-	-	-	-	-	-	-	1	-	-	-	-	-	-	-	-
1	COIL ASY EVAP	1183191	-	-	-	-	-	-	-	-	1	-	-	-	-	-	-	-
1	COIL ASY EVAP	1183192	-	-	-	-	-	-	-	-	-	-	-	-	1	-	-	-
1	COIL ASY EVAP TINNED	1183229	1	-	-	-	-	-	-	-	-	-	-	-	-	-	-	-
1	COIL ASY EVAP TINNED	1183230	-	1	-	-	-	-	-	-	-	-	-	-	-	-	-	-
1	COIL ASY EVAP TINNED	1183231	-	-	-	-	-	1	-	-	-	-	-	-	-	-	-	-
1	COIL ASY EVAP TINNED	1183232	-	-	-	-	-	-	-	-	-	-	1	-	-	-	-	-
1	COIL ASY EVAP TINNED	1183233	-	-	-	-	-	-	-	-	-	-	-	1	-	-	-	-
1	COIL ASY EVAP TINNED	1183234	-	-	-	-	-	-	-	-	-	-	-	-	-	1	-	-
1	COIL ASY EVAP TINNED	1183304	-	-	-	-	-	-	-	-	-	-	-	-	-	-	-	1
1	COIL ASY EVAP TINNED	1183307	-	-	-	1	-	-	-	-	-	-	-	-	-	-	-	-
1	COIL ASY EVAP TINNED	1183308	-	-	-	-	-	-	-	1	-	-	-	-	-	-	-	-
3	DISTRIBUTOR	1183250	1	1	1	1	1	1	1	1	1	1	1	1	-	-	-	-
3	DISTRIBUTOR	1183251	-	-	-	-	-	-	-	-	-	-	-	-	1	1	1	1
3	DISTRIBUTOR ASY	1183200	-	-	1	1	1	1	1	1	1	1	1	1	-	-	-	-
3	DISTRIBUTOR ASY	1183202	-	-	-	-	-	-	-	-	-	-	-	-	1	1	-	-
3	DISTRIBUTOR ASY	1183203	1	1	-	-	-	-	-	-	-	-	-	-	-	-	-	-
3	DISTRIBUTOR ASY	1183294	-	-	-	-	-	-	-	-	-	-	-	-	-	-	1	1
4	VALVE TXV 4.0 TON R-410A	1183195	1	1	1	1	1	1	1	1	-	-	-	-	-	-	-	-
4	VALVE TXV 6 TON R-410A	1183196	-	-	-	-	-	-	-	1	1	1	1	1	1	1	-	-
4	VALVE TXV 6.0 TON R-410A	1183293	-	-	-	-	-	-	-	-	-	-	-	-	-	-	1	1
7	CNDS PAN ASSY	1183609	1	-	1	1	-	-	-	-	-	-	-	-	-	-	-	-
7	CNDS PAN ASSY	1183610	-	1	-	-	1	1	-	-	1	-	1	-	-	-	-	-
7	CNDS PAN ASSY	1183611	-	-	-	-	-	1	1	-	1	-	1	1	1	1	1	1
8	STRAINER	1171740	1	1	1	1	1	1	1	1	1	1	1	1	1	1	1	1
A	SHIELD	1173364	2	2	2	2	2	2	2	2	2	2	2	2	2	2	2	2
A	SHIELD	1183296	-	-	1	1	-	-	-	-	-	-	-	-	-	-	-	-
B	EXTENSION COIL	1183218	1	1	-	-	-	-	-	-	-	-	-	-	-	-	-	-
B	EXTENSION COIL	1183219	-	-	-	-	1	1	-	-	-	-	-	-	-	-	-	-
B	EXTENSION COIL	1183220	-	-	-	-	-	-	-	1	1	1	1	-	-	-	-	-
B	EXTENSION COIL	1183221	-	-	1	1	-	-	1	1	-	-	-	-	1	1	-	-
B	EXTENSION COIL	1183295	-	-	-	-	-	-	-	-	-	-	-	-	-	-	1	1
C	EXT CNDS PAN	1183222	1	1	1	1	1	1	1	1	1	1	1	1	1	1	1	1
E	SHIELD LEFT/CENTER COIL	1173367	1	1	1	1	1	1	1	1	1	1	1	1	1	1	1	1
F	SHIELD RIGHT COIL	1173368	1	1	-	-	1	1	1	1	1	1	1	1	1	1	1	1
G	ENCLOSURE COIL	1173381	1	-	-	-	-	-	-	-	-	-	-	-	-	-	-	-
G	ENCLOSURE COIL	1183209	-	-	-	-	1	1	-	-	-	-	-	-	-	-	-	-
G	ENCLOSURE COIL	1183211	-	-	-	-	-	-	-	-	1	-	1	-	-	-	-	-
G	ENCLOSURE COIL	1183212	-	-	-	-	-	-	-	-	-	-	-	-	1	1	-	-
G	ENCLOSURE COIL	1183214	-	1	-	-	-	-	-	-	-	-	-	-	-	-	-	-
G	ENCLOSURE COIL	1183215	-	-	-	-	-	-	-	-	1	-	1	-	-	-	-	-
G	ENCLOSURE COIL	1183299	-	-	-	-	-	1	1	-	-	-	-	-	-	-	-	-
G	ENCLOSURE COIL	1183300	-	-	1	1	-	-	-	-	-	-	-	-	-	-	-	-
G	ENCLOSURE COIL	1183301	-	-	-	-	-	-	-	-	-	-	-	-	-	-	1	1
PARTS NOT SHOWN																		
)	ADAPTER DRN MALE LA	1085010	1	1	1	1	1	1	1	1	1	1	1	1	1	1	1	1
)	GROMMET LIQ LINE 3/8"	1173157	1	1	1	1	1	1	1	1	1	1	1	1	1	1	1	1
)	GROMMET SUCT LINE 3/4"	1173159	1	1	1	1	1	1	-	-	-	-	-	-	-	-	-	-
)	GROMMET SUCT LINE 7/8"	1173160	-	-	-	-	-	-	1	1	1	1	1	1	1	1	1	1
)	WASHER TEFLON	1174012	1	1	1	1	1	1	1	1	1	1	1	1	1	1	1	1