



# RRPL-B

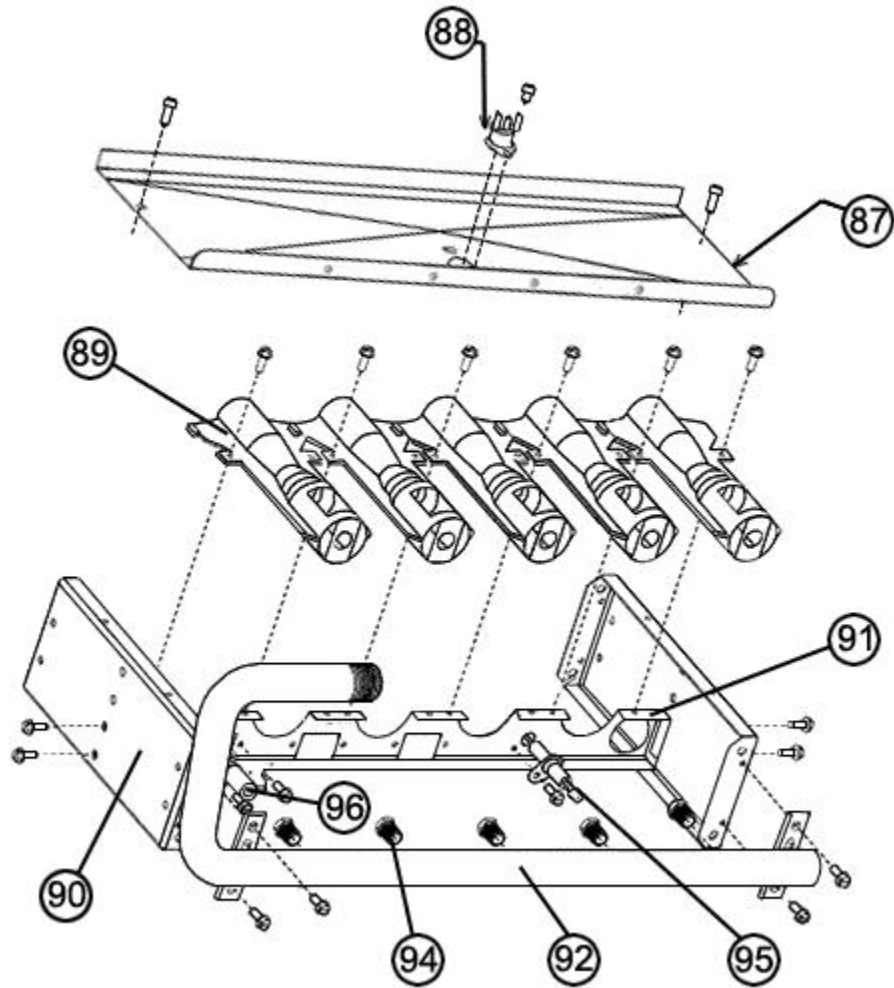
Parts List  
16-November-2016



*This parts list is current as of the above revision date.  
See <http://www.rheempartslists.net/92-42800-RRPL-B.pdf> for the current revision.*

**Package Gas-Electric**

No.	Notes	MODEL TECHNICAL VARIATION HEATING CAPACITY	RRPL	RRPL	RRPL	RRPL
			B 04	B 06	B 08	B 10
<b>HEAT EXCHANGER, BURNER / MANIFOLD</b>						
81	Stk	Heat Exchanger (Includes Center Panel and Turbulators)	AS-58632-01	AS-58632-02	AS-58632-03	AS-58632-04
82		Turbulators	AE-58591-02 (2)	AE-58591-02 (3)	AE-58591-02 (4)	AE-58591-02 (5)
83		Collector Box	AE-58588-01	AE-58588-01	AE-58588-01	AE-58588-01
		Collector Box Gasket	68-23644-01	68-23644-01	68-23644-01	68-23644-01
84	Stk	Limit Control - Blower Shelf	47-23610-11 (All)	47-23610-05 (024)	47-23610-03 (All)	47-23610-03 (060)
84	Stk	Limit Control - Blower Shelf		47-23610-03 (030-048)		47-23610-01 (030-048)
85		NOX Insert Assembly	75-23684-01 (2)	75-23684-01 (3)	75-23684-01 (4)	75-23684-01 (5)
86		Lower Burner Shield (NOX)	AE-59148-01	AE-59148-01	AE-59148-01	AE-59148-01
87		Radiation Shield	AE-58595-01	AE-58595-01	AE-58595-01	AE-58595-01
88	Stk,3	Limit - Manual Reset (Burner Compartment) - Before approximate Date Code F3708 (See Note 3)	47-100241-01	47-100241-01	47-100241-01	47-100241-01
88	Stk,3	Limit - Manual Reset (Burner Compartment) - After approximate Date Code F3708 (See Note 3)	47-22861-02	47-22861-02	47-22861-02	47-22861-02
89	Stk,3	Burner Tube w/Shield (Inshot) - Before approximate Date Code F3708 (See Note 3)	75-22840-02 (2)	75-22840-02 (3)	75-22840-02 (4)	75-22840-02 (5)
89	Stk,3	Burner Assembly (One-piece) - After approximate Date Code F3708 (See Note 3)	AS-60993-02	AS-60993-03	AS-60993-04	AS-60993-05
90	3	Burner Support Bracket (2) - Before approximate Date Code F3708 (See Note 3)	AE-61588-01	AE-61588-01	AE-61588-01	AE-61588-01
90	3	Burner Support Bracket (2) - After approximate Date Code F3708 (See Note 3)	AE-61588-02	AE-61588-02	AE-61588-02	AE-61588-02
91	3	Burner Support - (Holds Burners between Burner Support Brackets) - Before approximate Date Code F3708 (See Note 3)	AE-58592-02	AE-58592-02	AE-58592-02	AE-58592-02
91	3	Burner Support - (Holds Burners between Burner Support Brackets) - After approximate Date Code F3708 (See Note 3)	AE-102438-01	AE-102438-01	AE-102438-01	AE-102438-01
97	3	Bushing - After approximate Date Code F3708 (See Note 3)	45-42519-01	45-42519-01	45-42519-01	45-42519-01
	Stk,2,3	One-piece Burner Retrofit Kit - See Note 2	AS-60993-82	AS-60993-83	AS-60993-84	AS-60993-85
92		Manifold Assembly	81-101154-01	81-101154-01	81-101154-01	81-101154-01
94		Square Head Plug (Used on Manifold to plug extra holes)	81-23593-01 (3)	81-23593-01 (2)	81-23593-01 (1)	N/A
93		Burner Orifice - Natural Gas	See Orifice Selection Chart			
93		Burner Orifice - LP	See Orifice Selection Chart			
93		Number of Orifices	(2)	(3)	(4)	(5)
95	Stk	Flame Sensor	62-23543-02	62-23543-02	62-23543-02	62-23543-02
96	Stk	Ignition Electrode/Cable Assembly	62-23556-01	62-23556-01	62-23556-01	62-23556-01



Burner Assembly (Inshot - Before Approx F3708)