



# RQNJ

Parts List  
01-December-2016



*This parts list is current as of the above revision date.  
See <http://www.rheempartslists.net/92-42800-RQNJ.pdf> for the current revision.*

Package Heat Pumps

# Table of Contents

Model Explanation .....	Page 3
<b>Parts Numbers</b>	
Panels - Miscellaneous 024-042 .....	Page 4
Panels - Miscellaneous 042-060 .....	Page 5
Electrical Group .....	Page 6
Fan Group .....	Page 7
Blower Group .....	Page 7
Coil Parts .....	Page 8
Compressor Group .....	Page 8
Heater Kits .....	Page 9
Accessories .....	Page 9
<b>Drawings/Photographs</b>	
Exploded View .....	Page 10
Control Panel .....	Page 11
Blower Assembly .....	Page 12
Coil Assembly .....	Page 13
Compressor and Refrigeration Group .....	Page 14
Notes/Disclaimer .....	Page 15

**MODEL NUMBER EXPLANATION**

<b>R</b>	<b>Q</b>	<b>N</b>	<b>J</b>	<b>-</b>	<b>A</b>	<b>024</b>	<b>J</b>	<b>K</b>	<b>010</b>
<b>1</b>	<b>2</b>	<b>3</b>	<b>4</b>		<b>5</b>	<b>6</b>	<b>7</b>	<b>8</b>	<b>9</b>

- |   |   |
|---|---|
| <p><b>1 TRADEBRAND</b></p> <p><b>2 PRODUCT CLASSIFICATION</b></p> <p><b>3 EFFICIENCY DESIGNATION</b><br/>N = 13 SEER</p> <p><b>4 DESIGN SERIES</b><br/>J = Horizontal Discharge</p> <p><b>5 TECHNICAL VARIATION</b></p> <p><b>6 COOLING CAPACITY (BTU/HR)</b><br/>024 = 24,000<br/>030 = 30,000<br/>036 = 36,000<br/>042 = 42,000<br/>048 = 48,000<br/>060 = 60,000</p> | <p><b>7 ELECTRICAL DESIGNATION</b><br/>J = 208-230/1/60<br/>C = 208-230/3/60</p> <p><b>8 DRIVE PACKAGE</b><br/>K = Direct Drive</p> <p><b>9 HEATING CAPACITY (ELECTRIC HEAT)</b><br/>000 = No Resistance Heat<br/>005 = 5 KW<br/>007 = 7 KW<br/>010 = 10 KW<br/>015 = 15 KW<br/>020 = 20 KW</p> |
|---|---|

**SERIAL NUMBER EXPLANATION**

<b>7</b>	<b>1</b>	<b>5</b>	<b>4</b>	<b>F</b>	<b>2</b>	<b>7</b>	<b>0</b>	<b>4</b>	<b>9</b>	<b>9</b>	<b>9</b>	<b>9</b>	<b>9</b>
	<b>1</b>			<b>2</b>		<b>3</b>		<b>4</b>				<b>5</b>	

- 1 COMPRESSOR IDENTIFICATION NUMBER**
- 2 PRODUCTION LOCATION**  
F = FORT SMITH, AR
- 3 WEEK OF PRODUCTION**
- 4 YEAR OF PRODUCTION**
- 5 PRODUCTION NUMBER**

No.	Notes	MODEL TECHNICAL VARIATION COOLING CAPACITY ELECTRICAL DESIGNATION HEATING CAPACITY	RQNJ	RQNJ	RQNJ	RQNJ	RQNJ
			A 024 J 000-010	A 030 J 000-015	A 036 C 000-015	A 036 J 000-015	A 042 C 000-020
<b>PANELS, MISCELLANEOUS PARTS</b>							
1	Louver Panel		AE-100830-02	AE-100830-02	AE-100830-02	AE-100830-02	AE-100830-04
2	Corner Post		AE-100822-01	AE-100822-01	AE-100822-01	AE-100822-01	AE-100822-02
3	Front Post		AE-100821-01	AE-100821-01	AE-100821-01	AE-100821-01	AE-100821-02
4	Louver Panel		AE-100830-01	AE-100830-01	AE-100830-01	AE-100830-01	AE-100830-03
5	Insulation Retainer		AE-100831-02	AE-100831-02	AE-100831-02	AE-100831-02	AE-100831-03
6	Front Access Panel		AE-100823-01	AE-100823-01	AE-100823-01	AE-100823-01	AE-100823-02
7	Drainpan		See Coil Group				
8	Air Stop - Drainpan		AE-100825-01	AE-100825-01	AE-100825-01	AE-100825-01	AE-100825-01
9	Air Stop - Drainpan		AE-100825-02	AE-100825-02	AE-100825-02	AE-100825-02	AE-100825-02
10	Drainpan Tray		AE-100809-01	AE-100809-01	AE-100809-01	AE-100809-01	AE-100809-01
11	Control Access Panel		AE-100824-01	AE-100824-01	AE-100824-01	AE-100824-01	AE-100824-02
12	Control Panel Assembly		AS-100807-01	AS-100807-01	AS-100807-01	AS-100807-01	AS-100807-02
13	Base Rail (2)		AE-100803-01	AE-100803-01	AE-100803-01	AE-100803-01	AE-100803-01
14	Base Rail (2)		AE-100803-02	AE-100803-02	AE-100803-02	AE-100803-02	AE-100803-02
15	Base Pan		AE-100804-01	AE-100804-01	AE-100804-01	AE-100804-01	AE-100804-01
16	Right Panel Assembly		AS-100820-01	AS-100820-01	AS-100820-01	AS-100820-01	AS-100820-02
17	Blower Support		AE-100818-02	AE-100818-02	AE-100818-02	AE-100818-02	AE-100818-02
	Insulation Retainer (2)		AE-100831-01	AE-100831-01	AE-100831-01	AE-100831-01	AE-100831-01
	Duct Ring - 14 in.		58-100850-01	58-100850-01	58-100850-01	58-100850-01	58-100850-01
18	Transition Bottom		AE-100815-01	AE-100815-01	AE-100815-01	AE-100815-01	AE-100815-01
19	Transition Top		AE-100815-02	AE-100815-02	AE-100815-02	AE-100815-02	AE-100815-02
20	Block Off Plate		AE-100816-01	AE-100816-01	AE-100816-01	AE-100816-01	AE-100816-01
21	Rear Panel Assembly		AS-100814-01	AS-100814-01	AS-100814-01	AS-100814-01	AS-100814-02
22	Rear Air Stop		AE-100810-01	AE-100810-01	AE-100810-01	AE-100810-01	AE-100810-02
23	Top Panel Assembly (Indoor)		AS-100828-01	AS-100828-01	AS-100828-01	AS-100828-01	AS-100828-01
24	Top Panel (Outdoor)		AE-100829-01	AE-100829-01	AE-100829-01	AE-100829-01	AE-100829-01
25	Grille		95-100833-01	95-100833-01	95-100833-01	95-100833-01	95-100833-01
28	Blower Support		AE-100818-01	AE-100818-01	AE-100818-01	AE-100818-01	AE-100818-01
29	Bulkhead Cap Assembly		AS-100826-01	AS-100826-01	AS-100826-01	AS-100826-01	AS-100826-01
30	Bulkhead Assembly		AS-100812-01	AS-100812-01	AS-100812-01	AS-100812-01	AS-100812-02
38	Low Voltage Mount		AE-100839-01	AE-100839-01	AE-100839-01	AE-100839-01	AE-100839-01
39	Low Voltage Cover		AE-100839-02	AE-100839-02	AE-100839-02	AE-100839-02	AE-100839-02
44	Heater Kit Delete Plate (Mounted in Control Box)		AE-100842-01	AE-100842-01	AE-100842-01	AE-100842-01	AE-100842-01
51	Gaugeport Enclosure		AE-101352-01	AE-101352-01	AE-101352-01	AE-101352-01	AE-101352-01

No.	Notes	MODEL TECHNICAL VARIATION COOLING CAPACITY ELECTRICAL DESIGNATION HEATING CAPACITY	RQNJ	RQNJ	RQNJ	RQNJ	RQNJ	
			A 042 J 000-020	A 048 C 000-020	A 048 J 000-020	A 060 C 000-020	A/B 060 J 000-020	
<b>PANELS, MISCELLANEOUS PARTS</b>								
1		Louver Panel	AE-100830-04	AE-100830-04	AE-100830-04	AE-100830-04	AE-100830-04	
2		Corner Post	AE-100822-02	AE-100822-02	AE-100822-02	AE-100822-02	AE-100822-02	
3		Front Post	AE-100821-02	AE-100821-02	AE-100821-02	AE-100821-02	AE-100821-02	
4		Louver Panel	AE-100830-03	AE-100830-03	AE-100830-03	AE-100830-03	AE-100830-03	
5		Insulation Retainer	AE-100831-03	AE-100831-03	AE-100831-03	AE-100831-03	AE-100831-03	
6		Front Access Panel	AE-100823-02	AE-100823-02	AE-100823-02	AE-100823-02	AE-100823-02	
7		Drainpan	See Coil Group					
8		Air Stop - Drainpan	AE-100825-01	AE-100825-01	AE-100825-01	AE-100825-01	AE-100825-01	
9		Air Stop - Drainpan	AE-100825-02	AE-100825-02	AE-100825-02	AE-100825-02	AE-100825-02	
10		Drain Pan Tray	AE-100809-01	AE-100809-01	AE-100809-01	AE-100809-01	AE-100809-01	
11		Control Access Panel	AE-100824-02	AE-100824-02	AE-100824-02	AE-100824-02	AE-100824-02	
12		Control Panel Assembly - Before F3206	AS-100807-02	AS-100807-02	AS-100807-02	AS-100807-03	AS-100807-03	
12		Control Panel Assembly - After F3206	AS-100807-02	AS-100807-02	AS-100807-02	AS-100807-02	AS-100807-02	
13		Base Rail (2)	AE-100803-01	AE-100803-01	AE-100803-01	AE-100803-01	AE-100803-01	
14		Base Rail (2)	AE-100803-02	AE-100803-02	AE-100803-02	AE-100803-02	AE-100803-02	
15		Base Pan	AE-100804-01	AE-100804-01	AE-100804-01	AE-100804-01	AE-100804-01	
16		Right Panel Assembly	AS-100820-02	AS-100820-02	AS-100820-02	AS-100820-02	AS-100820-02	
17		Blower Support	AE-100818-02	AE-100818-02	AE-100818-02	AE-100818-02	AE-100818-02	
		Insulation Retainer (2)	AE-100831-01	AE-100831-01	AE-100831-01	AE-100831-01	AE-100831-01	
		Duct Ring - 14 in.	58-100850-01	58-100850-01	58-100850-01	58-100850-01	58-100850-01	
18		Transition Bottom	AE-100815-01	AE-100815-01	AE-100815-01	AE-100815-01	AE-100815-01	
19		Transition Top	AE-100815-02	AE-100815-02	AE-100815-02	AE-100815-02	AE-100815-02	
20		Block Off Plate	AE-100816-01	AE-100816-01	AE-100816-01	AE-100816-01	AE-100816-01	
21		Rear Panel Assembly	AS-100814-02	AS-100814-02	AS-100814-02	AS-100814-02	AS-100814-02	
22		Rear Air Stop	AE-100810-02	AE-100810-02	AE-100810-02	AE-100810-02	AE-100810-02	
23		Top Panel Assembly (Indoor)	AS-100828-01	AS-100828-01	AS-100828-01	AS-100828-01	AS-100828-01	
24		Top Panel (Outdoor)	AE-100829-01	AE-100829-01	AE-100829-01	AE-100829-01	AE-100829-01	
25		Grille	95-100833-01	95-100833-01	95-100833-01	95-100833-01	95-100833-01	
28		Blower Support	AE-100818-01	AE-100818-01	AE-100818-01	AE-100818-01	AE-100818-01	
29		Bulkhead Cap Assembly	AS-100826-01	AS-100826-01	AS-100826-01	AS-100826-01	AS-100826-01	
30		Bulkhead Assembly	AS-100812-02	AS-100812-02	AS-100812-02	AS-100812-02	AS-100812-02	
38		Low Voltage Mount	AE-100839-01	AE-100839-01	AE-100839-01	AE-100839-01	AE-100839-01	
39		Low Voltage Cover	AE-100839-02	AE-100839-02	AE-100839-02	AE-100839-02	AE-100839-02	
44		Heater Kit Delete Plate (Mounted in Control Box)	AE-100842-01	AE-100842-01	AE-100842-01	AE-100842-01	AE-100842-01	
51		Gaugeport Enclosure	AE-101352-01	AE-101352-01	AE-101352-01	AE-101352-01	AE-101352-01	

No.	Notes	MODEL TECHNICAL VARIATION COOLING CAPACITY ELECTRICAL DESIGNATION HEATING CAPACITY	RQNJ	RQNJ	RQNJ	RQNJ	RQNJ	RQNJ
			A 024 J 000-010	A 030 J 000-010	A 036 C 000-015	A 036 J 000-015	A 042 C 000-020	A 042 J 000-020
<b>ELECTRICAL GROUP</b>								
CONTROL BOX COMPONENTS:								
40		Terminal Strip	45-23591-01	45-23591-01	45-23591-01	45-23591-01	45-23591-01	45-23591-01
41	Stk	Transformer	46-100836-01	46-100836-01	46-100836-01	46-100836-01	46-100836-01	46-100836-01
42	Stk	Blower Time Delay	47-23433-05	47-23433-05	47-23433-05	47-23433-05	47-23433-05	47-23433-05
43	Stk	Relay	42-101208-01	42-101208-01	42-101208-01	42-101208-01	42-101208-01	42-101208-01
45	Stk	Capacitor - Blower Motor	See Blower Group					
46		Capacitor Strap - Blower Motor Capacitor	AE-50892-01	AE-50892-01	AE-50892-01	AE-50892-01	AE-50892-01	AE-50892-01
47	Stk	Contactora	42-42728-03	42-42728-03	42-22464-01	42-42728-03	42-22464-01	42-42728-03
48	Stk	Capacitor - Compressor/Fan	See Compressor Group					
49		Capacitor Strap (Compressor/Fan)	AE-50892-56	AE-50892-56	AE-50892-01	AE-50892-56	AE-50892-01	AE-50892-56
50	Stk	Defrost Control Board	47-21517-18	47-21517-18	47-21517-18	47-21517-18	47-21517-18	47-21517-18

No.	Notes	MODEL TECHNICAL VARIATION COOLING CAPACITY ELECTRICAL DESIGNATION HEATING CAPACITY	RQNJ	RQNJ	RQNJ	RQNJ	RQNJ	RQNJ
			A 048 C 000-020	A 048 J 000-020	A 060 C 000-020	B 060 C 000-020	A 060 J 000-020	B 060 J 000-020
<b>ELECTRICAL GROUP</b>								
CONTROL BOX COMPONENTS:								
40		Terminal Strip	45-23591-01	45-23591-01	45-23591-01	45-23591-01	45-23591-01	45-23591-01
41	Stk	Transformer	46-100836-01	46-100836-01	46-100836-01	46-100836-01	46-100836-01	46-100836-01
42	Stk	Blower Time Delay	47-23433-05	47-23433-05	N/A	N/A	N/A	N/A
43	Stk	Relay	42-101208-01	42-101208-01	N/A	42-21571-08	N/A	42-21571-08
45	Stk	Capacitor - Blower Motor	See Blower Group					
46		Capacitor Strap - Blower Motor Capacitor	AE-50892-01	AE-50892-01	N/A	N/A	N/A	N/A
47	Stk	Contactora	42-22464-01	42-42728-03	42-22464-01	42-22464-01	42-42728-03	42-42478-02
48	Stk	Capacitor - Compressor/Fan	See Compressor Group					
49		Capacitor Strap (Compressor/Fan)	AE-50892-01	AE-50892-56	AE-50892-01	AE-50892-01	AE-50892-56	AE-50892-56
50	Stk	Defrost Control Board	47-21517-18	47-21517-18	47-21517-18	47-21517-18	47-21517-18	47-21517-18
		ECM Wiring Harness - 16 pin to 4 terminals	N/A	N/A	45-24258-11	N/A	45-24258-11	N/A
		ECM Wiring Harness - 5 pin to 2 quick connect and 1 ring terminal.	N/A	N/A	45-24258-12	N/A	45-24258-12	N/A

No.	Notes	MODEL	RQNJ	RQNJ	RQNJ	RQNJ	RQNJ	RQNJ
		TECHNICAL VARIATION	A	A	A	A	A	A
		COOLING CAPACITY	024	030	036	036	042	042
		ELECTRICAL DESIGNATION	J	J	C	J	C	J
		HEATING CAPACITY	000-010	000-010	000-015	000-015	000-020	000-020

**FAN GROUP**

Note: The fan and motor part numbers below may be different than originally supplied on the equipment. This fan and motor combination was changed to enhance the sound characteristics of the unit. Fan blade should be positioned on the shaft such that the highest point on the blade is two inches below the uppermost point on the motor housing while allowing a minimum of 1/8 inch clearance between the motor and fan. CAUTION: When replacing either the fan or the motor, both components must be matched in the combination shown below. In order to ensure correct performance, do not change one component only without verifying that the combination is correct.

26	Stk	Fan Motor	51-100998-24	51-100998-24	51-100998-24	51-100998-24	51-100998-25	51-100998-25
48		Capacitor - Fan Motor	See Compressor Group					
27	Stk	Fan Blade	70-100580-08	70-100580-08	70-100580-08	70-100580-08	70-102345-01	70-102345-01

Note: The fan blade listed below is of a new design to further enhance sound characteristics and may be substituted for the above fan where applicable.

27	Stk	Fan Blade - New Design	N/A	N/A	N/A	N/A	70-100580-09	70-100580-09
----	-----	------------------------	-----	-----	-----	-----	--------------	--------------

No.	Notes	MODEL	RQNJ	RQNJ	RQNJ	RQNJ		
		TECHNICAL VARIATION	A	A	A/B	A/B		
		COOLING CAPACITY	048	048	060	060		
		ELECTRICAL DESIGNATION	C	J	C	J		
		HEATING CAPACITY	000-020	000-020	000-020	000-020		

**FAN GROUP**

Note: The fan and motor part numbers below may be different than originally supplied on the equipment. This fan and motor combination was changed to enhance the sound characteristics of the unit. Fan blade should be positioned on the shaft such that the highest point on the blade is two inches below the uppermost point on the motor housing while allowing a minimum of 1/8 inch clearance between the motor and fan. CAUTION: When replacing either the fan or the motor, both components must be matched in the combination shown below. In order to ensure correct performance, do not change one component only without verifying that the combination is correct.

26	Stk	Fan Motor	51-100998-25	51-100998-25	51-100998-25	51-100998-25		
48		Capacitor - Fan Motor	See Compressor Group					
27	Stk	Fan Blade	70-102345-01	70-102345-01	70-102345-01	70-102345-01		

Note: The fan blade listed below is of a new design to further enhance sound characteristics and may be substituted for the above fan where applicable.

27	Stk	Fan Blade	70-100580-09	70-100580-09	70-100580-09	70-100580-09		
----	-----	-----------	--------------	--------------	--------------	--------------	--	--

No.	Notes	MODEL	RQNJ	RQNJ	RQNJ	RQNJ	RQNJ	RQNJ
		TECHNICAL VARIATION	A	A	A	A	A	A
		COOLING CAPACITY	024	030	036	036	042	042
		ELECTRICAL DESIGNATION	J	J	C	J	C	J
		HEATING CAPACITY	000-010	000-010	000-015	000-015	000-020	000-020

**BLOWER GROUP**

	Stk	Blower Assembly	AS-100841-01	AS-100841-02	AS-100841-03	AS-100841-03	AS-100841-04	AS-100841-04
53		Blower Housing w/Wheel	70-100840-01	70-100840-01	70-100840-01	70-100840-01	70-100840-02	70-100840-02
	Stk	Blower Wheel	703017	703017	703017	703017	703016	703016
54		Motor Band	70-19927-03	70-19927-03	70-19927-03	70-19927-03	70-19927-03	70-19927-03
55		Blower Arm Assembly	70-19929-09	70-19929-09	70-19929-09	70-19929-09	70-19929-09	70-19929-09
56	Stk	Blower Motor	51-100837-01	51-100837-02	51-100837-03	51-100837-03	51-100837-04	51-100837-04
45	Stk	Capacitor - Blower Motor	43-100496-09	43-100496-39	43-100496-46	43-100496-46	43-100496-42	43-100496-42

No.	Notes	MODEL	RQNJ	RQNJ	RQNJ	RQNJ	RQNJ	RQNJ
		TECHNICAL VARIATION	A	A	A	B	A	B
		COOLING CAPACITY	048	048	060	060	060	060
		ELECTRICAL DESIGNATION	C	J	C	C	J	J
		HEATING CAPACITY	000-020	000-020	000-020	000-020	000-020	000-020

**BLOWER GROUP**

	Stk	Blower Assembly	AS-100841-05	AS-100841-05	AS-100841-07	AS-100841-08	AS-100841-07	AS-100841-08
53		Blower Housing w/Wheel	70-100840-02	70-100840-02	70-100840-02	70-100840-02	70-100840-02	70-100840-02
	Stk	Blower Wheel	703016	703016	703016	703016	703016	703016
54		Motor Band	70-19927-03	70-19927-03	70-19927-03	70-19927-03	70-19927-03	70-19927-03
55		Arm Assembly	70-19929-09	70-19929-09	70-19929-09	70-19929-09	70-19929-09	70-19929-09
56	Stk	Blower Motor	51-100837-05	51-100837-05	51-24376-16	51-101984-04	51-24376-16	51-101984-04
45	Stk	Capacitor - Blower Motor	43-100496-42	43-100496-42	N/A	N/A	N/A	N/A

No.	Notes	MODEL TECHNICAL VARIATION COOLING CAPACITY	RQNJ A 024	RQNJ A 030	RQNJ A 036	RQNJ A 042	RQNJ A 048	RQNJ A/B 060
<b>COIL GROUP</b>								
<b>CONDENSER COIL:</b>								
32	Stk	Condenser Coil (Outdoor Coil) - On or After F0709	AS-100793-12	AS-100793-13	AS-100793-10	AS-100793-20	AS-100793-20	AS-100793-04
		Distributor Assembly - On or After F0709	83-100844-01	83-100844-01	83-100844-02	83-102272-04	83-102272-04	83-102272-05
32	Stk	Condenser Coil (Outdoor Coil) - Before F0709	AS-100793-12	AS-100793-13	AS-100793-10	AS-100793-11	AS-100793-11	AS-100793-04
		Distributor Assembly (Before F0709)	83-100844-01	83-100844-01	83-100844-02	83-102272-05	83-102272-05	83-102272-05
<b>EVAPORATOR COIL:</b>								
33	Stk	Evaporator Coil (Indoor Coil) - On or After F2407	AS-100792-14	AS-100792-14	AS-100792-15	AS-100792-16	AS-100792-16	AS-100792-05
34		Distributor Assembly - On or After F2407	83-102278-01	83-102278-01	83-102278-02	83-102278-03	83-102278-03	83-100844-03
33	Stk	Evaporator Coil (Indoor Coil) - Before F2407	AS-100792-01	AS-100792-01	AS-100792-02	AS-100792-04	AS-100792-04	AS-100792-05
34		Distributor Assembly - Before F2407	83-100844-01	83-100844-01	83-100844-02	83-100844-03	83-100844-03	83-100844-03
35		Draintrap Assembly	68-100846-02	68-100846-02	68-100846-02	68-100846-02	68-100846-02	68-100846-02
7	Stk	Drain Pan - Evaporator Coil	68-100808-02	68-100808-02	68-100808-02	68-100808-02	68-100808-02	68-100808-02
37	Stk	TXV	61-21922-103	61-21922-104	61-21922-105	61-21922-105	61-21922-106	61-21922-101
		TXV Bulb Strap Kit	64-101357-01	64-101357-01	64-101357-01	64-101357-01	64-101357-01	64-101357-01
<b>REFRIGERATION GROUP:</b>								
36	Stk	Reversing Valve w/Coil	61-101684-02	61-101684-02	61-101684-02	61-101684-02	61-101684-03	61-101684-03
	Stk	Solenoid Coil for Reversing Valve	61-101713-01	61-101713-01	61-101713-01	61-101713-01	61-101713-01	61-101713-01
	Stk	Wiring Harness for Reversing Valve	61-26149-01	61-26149-01	61-26149-01	61-26149-01	61-26149-01	61-26149-01
52		Gaugeport Manifold - Valve Body (2)	61-22369-04	61-22369-04	61-22369-04	61-22369-04	61-22369-04	61-22369-04
52		Gaugeport Manifold - Valve Core (2)	61-18551-01	61-18551-01	61-18551-01	61-18551-01	61-18551-01	61-18551-01

No.	Notes	MODEL TECHNICAL VARIATION COOLING CAPACITY ELECTRICAL DESIGNATION	RQNJ A 024 J	RQNJ A 030 J	RQNJ A 036 C	RQNJ A 036 J	RQNJ A 042 C	RQNJ A 042 J
<b>COMPRESSOR GROUP</b>								
		<b>Compressor ID:</b>	<b>7239</b>	<b>7240</b>	<b>7245</b>	<b>7241</b>	<b>7246</b>	<b>7242</b>
31	Stk	Compressor	55-100835-13S	55-100835-16S	55-100835-24S	55-100835-23S	55-100835-21S	55-100835-15S
48	Stk	Run Capacitor - Fan/Compressor	43-26261-44	43-26261-09	43-100496-04	43-26261-41	43-100496-12	43-101665-37
57	Stk	Compressor Wiring Harness (Molded Plug)	45-100834-80	45-100834-80	45-100834-80	45-100834-80	45-100834-80	45-100834-80

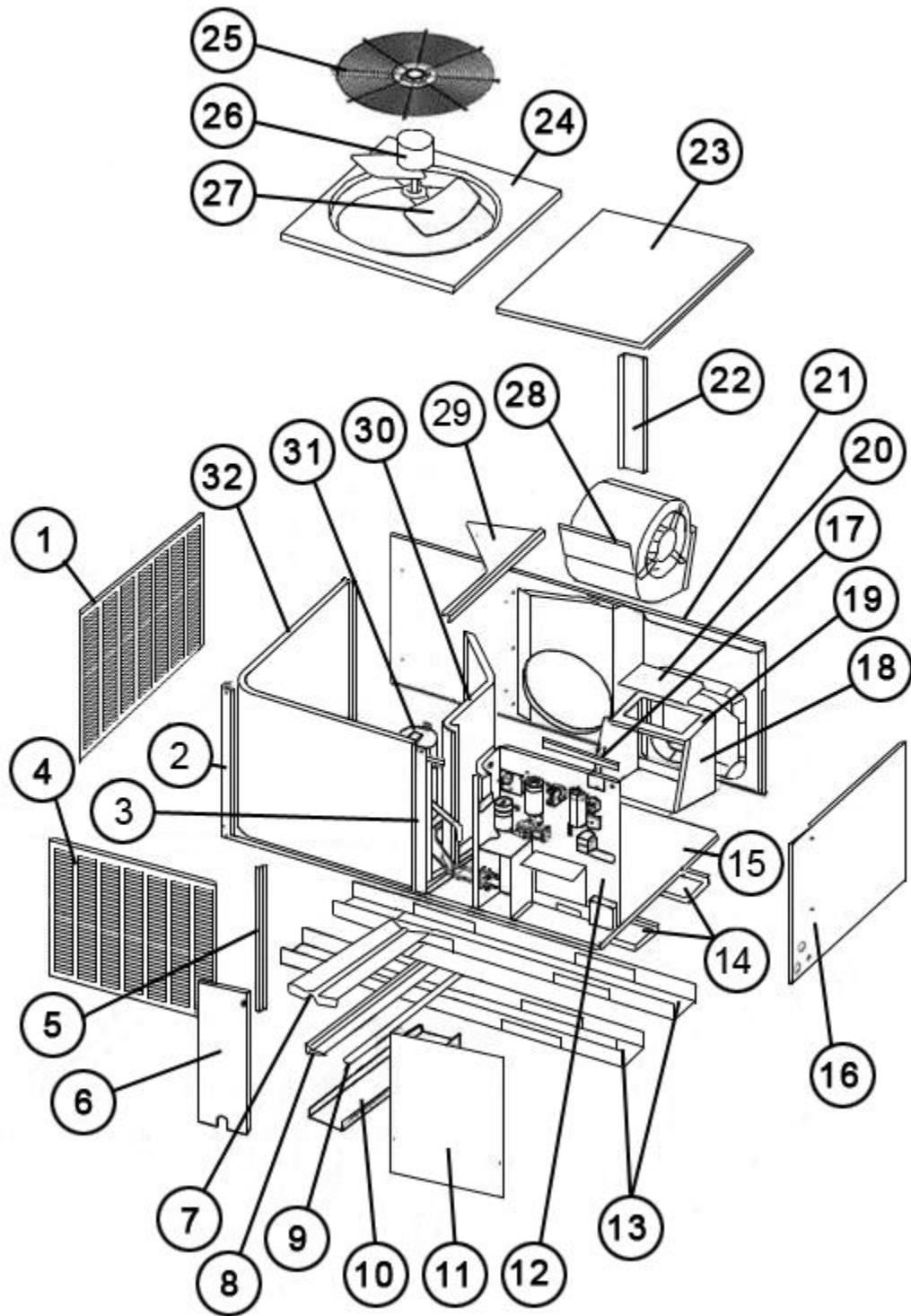
No.	Stk	MODEL TECHNICAL VARIATION COOLING CAPACITY ELECTRICAL DESIGNATION	RQNJ A 048 C	RQNJ A 048 J	RQNJ A 060 C	RQNJ B 060 C	RQNJ A 060 J	RQNJ B 060 J
<b>COMPRESSOR GROUP</b>								
		<b>Compressor ID:</b>	<b>7247</b>	<b>7243</b>	<b>7248</b>	<b>7473</b>	<b>7244</b>	<b>7472</b>
31	Stk	Compressor	55-100835-28S	55-100835-27S	55-100835-19S	55-100835-19S	55-100835-06S	55-100835-06S
48	Stk	Run Capacitor - Fan/Compressor	43-100496-12	43-26261-39	43-100496-12	43-100496-12	43-101665-30	43-101665-30
57	Stk	Compressor Wiring Harness (Molded Plug)	45-100834-80	45-100834-80	45-100834-80	45-100834-80	45-100834-80	45-100834-80



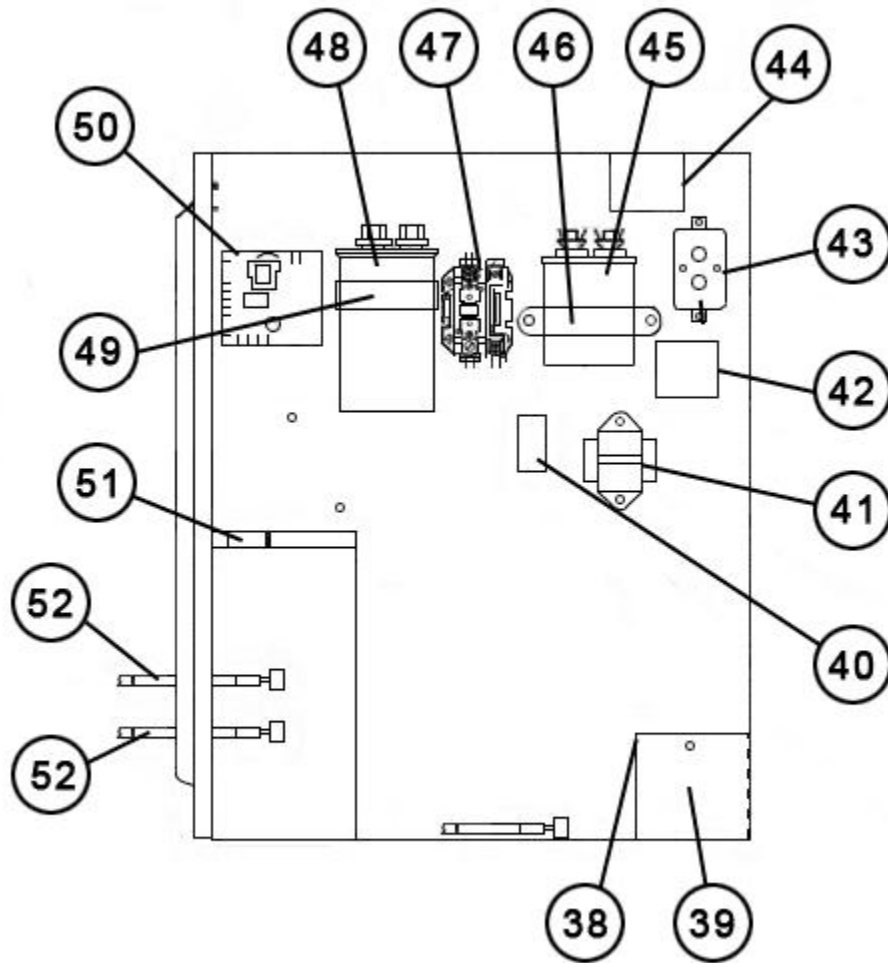
No.	Notes	MODEL TECHNICAL VARIATION COOLING CAPACITY ELECTRICAL DESIGNATION	RQNJ A 024 J	RQNJ A 030 J	RQNJ A 036 C	RQNJ A 036 J	RQNJ A 042 C
<b>HEATER KITS</b>							
		Heater Kit (5 kW)	RXQJ-C05J	RXQJ-C05J	RXQJ-C10C	RXQJ-C05J	RXQJ-C10C
		Heater Kit (7 kW)	RXQJ-C07J	RXQJ-C07J	RXQJ-C15C	RXQJ-C07J	RXQJ-C15C
		Heater Kit (10 kW)	RXQJ-C10J	RXQJ-C10J	N/A	RXQJ-C10J	RXQJ-C20C
		Heater Kit (15 kW)	N/A	RXQJ-C15J	N/A	RXQJ-C15J	N/A
		Heater Kit (20 kW)	N/A	N/A	N/A	RXQJ-C20J	N/A

No.	Notes	MODEL TECHNICAL VARIATION COOLING CAPACITY ELECTRICAL DESIGNATION	RQNJ A 042 J	RQNJ A 048 C	RQNJ A 048 J	RQNJ A/B 060 C	RQNJ A/B 060 J
<b>HEATER KITS</b>							
		Heater Kit (5 kW)	RXQJ-C05J	RXQJ-C10C	RXQJ-C05J	RXQJ-C10C	RXQJ-C05J
		Heater Kit (7 kW)	RXQJ-C07J	RXQJ-C15C	RXQJ-C07J	RXQJ-C15C	RXQJ-C07J
		Heater Kit (10 kW)	RXQJ-C10J	RXQJ-C20C	RXQJ-C10J	RXQJ-C20C	RXQJ-C10J
		Heater Kit (15 kW)	RXQJ-C15J	N/A	RXQJ-C15J	N/A	RXQJ-C15J
		Heater Kit (20 kW)	RXQJ-C20J	N/A	RXQJ-C20J	N/A	RXQJ-C20J

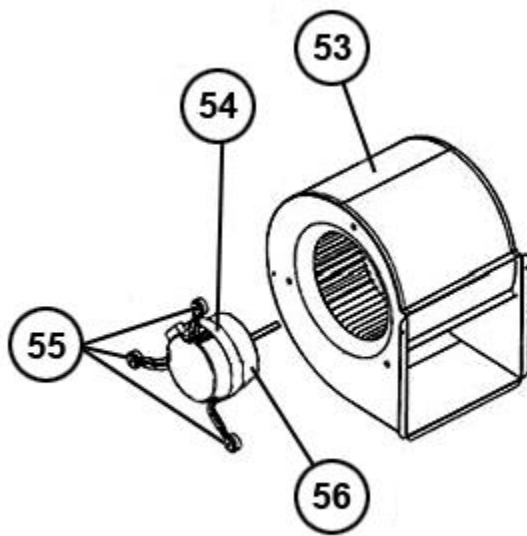
No.	Notes	MODEL TECHNICAL VARIATION COOLING CAPACITY	RQNJ A/B ALL				
<b>ACCESSORIES</b>							
		Outdoor Thermostat	RXPT-A01				



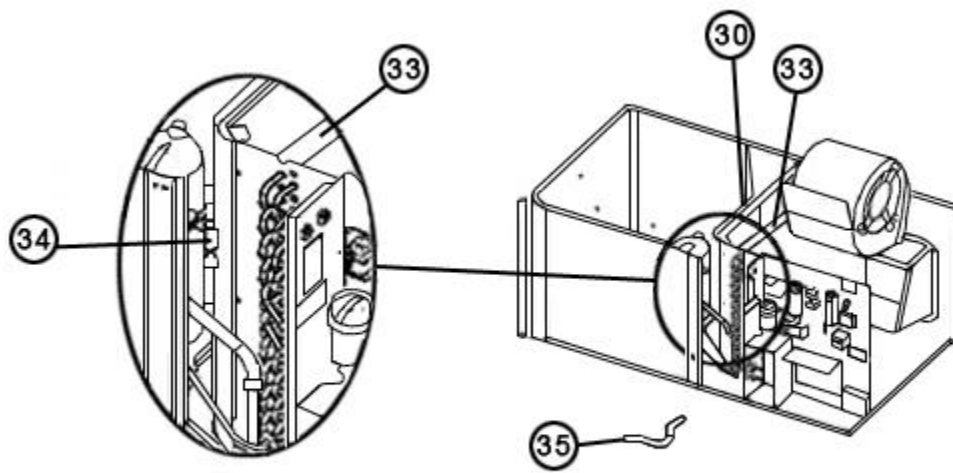
Exploded View



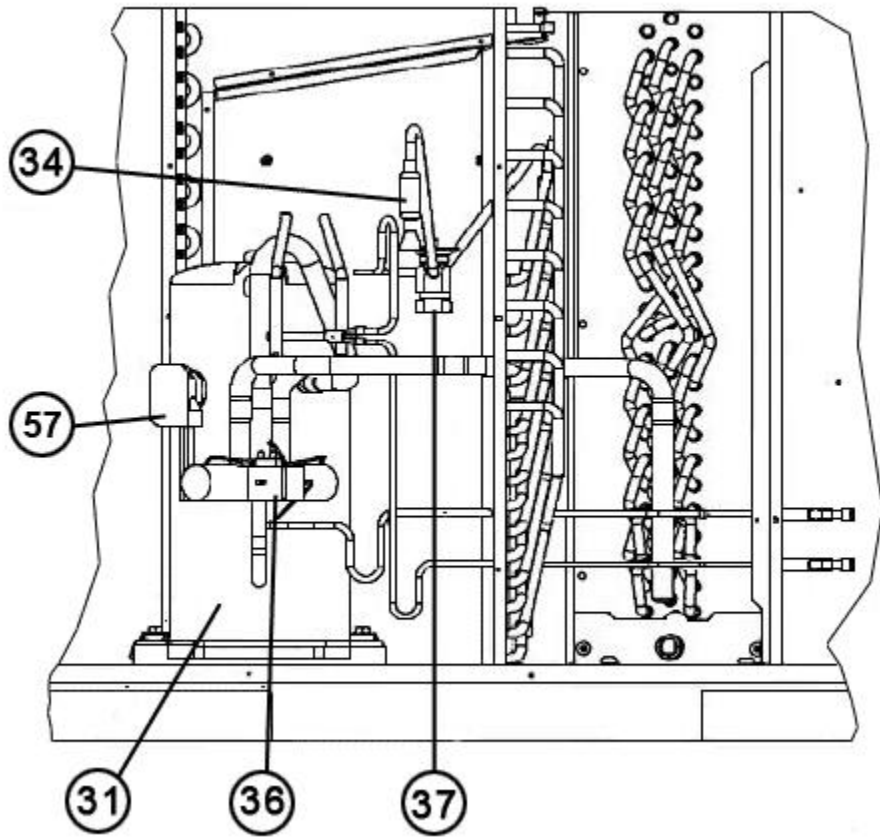
Control Panel



Blower Assembly



Coil Assembly



Compressor and Refrigeration Group

# NOTES

Stk It is recommended that stock be maintained for this part.  
N/A Not Applicable

**DISCLAIMER:** This document is intended to provide general replacement parts information to aid qualified service personnel in the repair of these models. The complete Model and Serial Number of the unit under repair should be specified when selecting and ordering replacement parts. Specifications and illustrations are subject to change without notice. Document 92-42800-RQNJ supersedes all previous parts lists for these models. See <http://www.rheempartslists.net/92-42800-RQNJ> for the latest revision of this document. The manufacturer assumes no obligation for errors or omissions. Service personnel must verify the proper and safe operation of equipment after the replacement of any original components.