



Ruud Achiever® Series Downflow Gas Furnace



R801P Downflow Series

80% A.F.U.E.†

Input Rates 50-150 kBTU



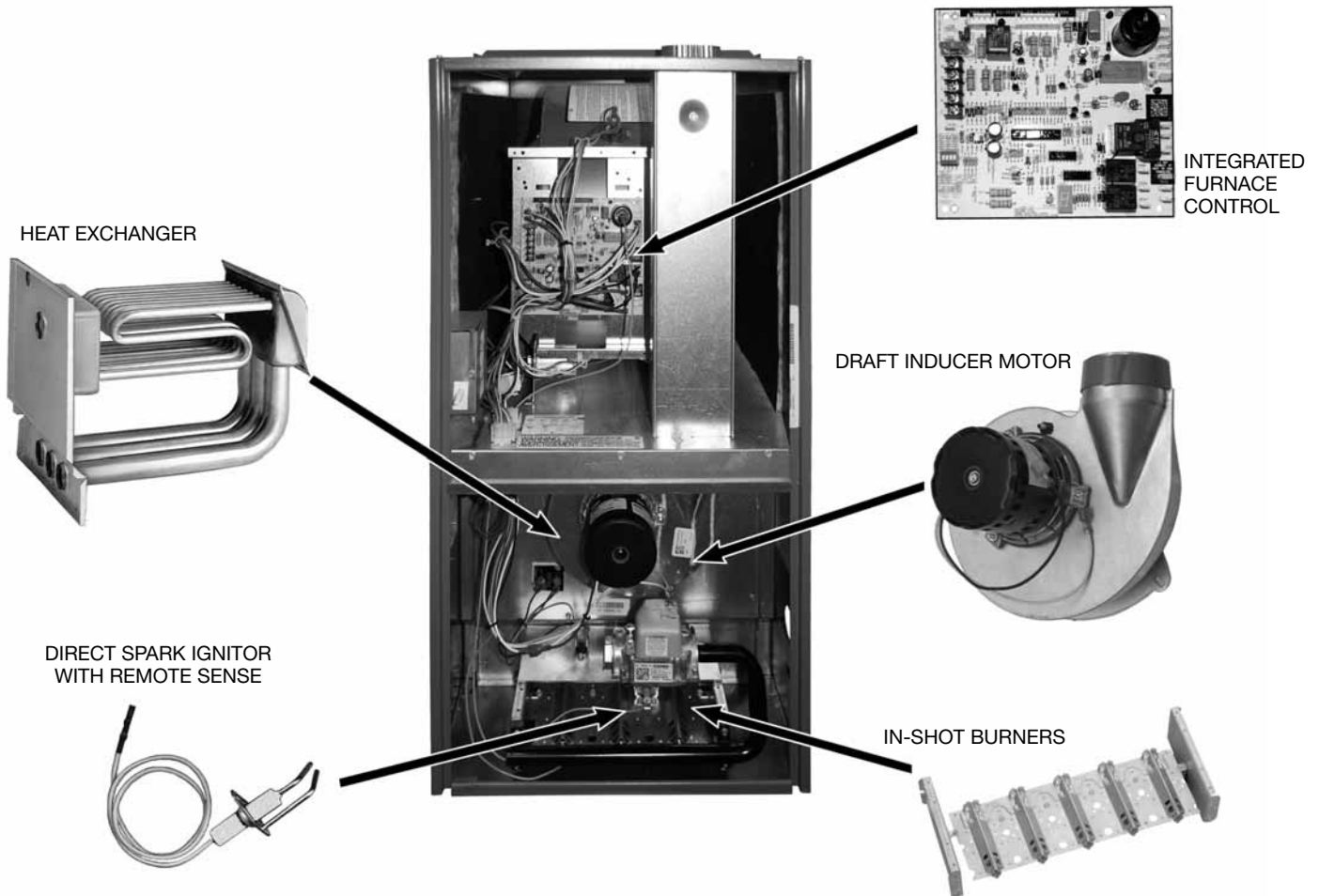
†A.F.U.E. (Annual Fuel Utilization Efficiency) calculated in accordance with Department of Energy test procedures.

- 80% residential Gas Furnace CSA certified
- PlusOne™ Diagnostics — 7 Segment LED all units
- PlusOne™ Ignition System – DSI for reliability and longevity
- Heat exchanger is removable for improved serviceability. Aluminized steel construction provides maximum corrosion resistance and thermal fatigue reliability.

- Low profile 34" cabinet ideal for space constrained installations
- Integrated Control board features dip switches for easy system set up
- Insulated blower compartment
- QR code for quick access to product information from your smart phone or tablet

TABLE OF CONTENTS

Standard & Optional Equipment	3
Model Features/Physical Data & Specifications	4
Model Number Identification	5
Dimensional Data.....	6
Blower Performance Data.....	7
Accessories.....	8
Limited Warranty	9



STANDARD EQUIPMENT

Completely assembled and wired; induced draft; pressure switch; redundant main gas control; blower compartment door safety switch; solid state time on/time off blower control; limit control; manual shut-off valve, pressure regulator for natural and L.P. (propane) gas; transformer; direct drive multi-speed blower motor. Furnaces are equipped with cooling/heating relay and transformer (40VA) ready for air conditioning applications. (Please note: a thermostat is not included as standard equipment.) Flame sensor diagnostics; on-board twinning; fused-protection (secondary), **3rd speed option for continuous fan; common heat/cool terminal.**

OPTIONAL EQUIPMENT

NOTE: Furnace is not listed for use with fuels other than natural or L.P. (propane) gas.

The complete terms of limited and other warranties are available at our sales office, or through local installer.

All models can be converted by a qualified Ruud distributor or local service dealer to use L.P. (propane) gas without changing burners. Factory approved kits must be used to convert from natural to L.P. (propane) gas and may be ordered as optional accessories from a Ruud parts distributor.

For L.P. (propane) operation, refer to Conversion Kit Index Form.

NOTE: For natural and L.P. (propane) gas models, direct spark ignition is 100% lockout type.

WARNING

THIS FURNACE IS NOT APPROVED
OR RECOMMENDED
FOR USE IN MOBILE HOMES

Model Features

- 80% residential Gas Furnace CSA certified
- PlusOne™ Diagnostics — 7 Segment LED all units
- PlusOne™ Ignition System – DSI for reliability and longevity
- Heat exchanger is removable for improved serviceability. Aluminumized steel construction provides maximum corrosion resistance and thermal fatigue reliability.
- Low profile 34" cabinet ideal for space constrained installations
- Integrated Controls board features dip switches for easy system set up
- Insulated blower compartment
- QR code for quick access to product information from your smart phone or tablet

Physical Data and Specifications U.S. and Canadian Models

MODEL NUMBERS R801P (DOWNFLOW) SERIES	R801PA 050314ZSB	R801PA 075317ZSB	R801PA 075417ZSB	R801PA 100317ZSB	R801PA 100521ZSB	R801PA 125524ZSB	R801PA 150524ZSB
Input–BTU/Hr [kW] ②	50,000 [15]	75,000 [22]	75,000 [22]	100,000 [29.3]	100,000 [29.3]	125,000 [36.6]	150,000 [44]
Heating Capacity BTU/Hr [kW] ①	40,000 [12]	60,000 [18]	60,000 [18]	80,000 [23]	80,000 [23]	100,000 [29]	120,000 [35]
High Altitude Input [kW]	45,000 [13]	67,500 [19.8]	67,500 [19.8]	90,000 [26.4]	90,000 [26.4]	112,500 [33]	135,000 [39.6]
High Altitude Output Capacity [kW]	36,500 [10.7]	53,500 [15.7]	54,000 [15.8]	72,000 [21.1]	72,500 [21.2]	89,000 [26.1]	107,500 [31.5]
Heat Ext. Static Pressure [kPa]	.10 [.025]	.12 [.029]	.12 [.029]	.15 [.037]	.15 [.037]	.20 [.05]	.20 [.05]
Blower (D x W) [mm]	11 x 6 [279 x 152]	11 x 7 [279 x 178]	11 x 7 [279 x 178]	11 x 7 = 10Z*AM [279 x 178]	11 x 10 [279 x 254]	11 x 10 [279 x 254]	11 x 10 [279 x 254]
Motor H.P. [W]–Speeds [W]–PSC Type	1/2-4-PSC [373]	1/2-4-PSC [373]	3/4-4-PSC [559]	1/2-4-PSC [373]	3/4-4-PSC [559]	3/4-4-PSC [559]	3/4-4-PSC [559]
Min. Circuit Ampacity	9	10	13	10	13	13	13
Min. Overload Protection Device	15	15	20	15	20	20	20
Max. Overload Protection Device	15	15	20	15	20	20	20
Heating Speed	MED-LOW	MED-HIGH	MED-LOW	MED-HIGH	MED-HIGH	MED-HIGH	MED-HIGH
Cooling Speed	HIGH	HIGH	MED-HIGH	HIGH	HIGH	HIGH	HIGH
Cooling CFM @ .5" [kPa] E.S.P. (Nominal) [L/s]	1200 [566]	1200 [566]	1600 [755]	1200 [566]	2000 [944]	2000 [944]	2000 [944]
Rated E.S.P. (In. W.C.) [kPa]	0.5 [.12]	0.5 [.12]	0.5 [.12]	0.5 [.12]	0.5 [.12]	0.5 [.12]	0.5 [.12]
Temperature Rise Range °F [°C]	25-55 [13.9-30.6]	35-65 [19.5-36.2]	25-55 [13.9-30.6]	45-75 = 10Z*AM [25-41.7]	40-70 [22.2-38.9]	40-70 [22.2-38.9]	50-80 [27.8-44.4]
Max. Outlet Air Temp. °F [°C]	155 [68.3]	165 [73.9]	155 [68.3]	190 [87.8]	170 [76.7]	180 [82.2]	170 [76.7]
Approx. Shipping Weight (Lbs.) [kg]	85 [38.6]	105 [47.6]	105 [47.6]	115 [52.2]	120 [54.4]	140 [63.5]	150 [68.0]
AFUE–Electric Ignition Models ①	80%	80%	80%	80%	80%	80%	80%

NOTES: All models are 115V, 60HZ, 1Ø. Gas connection size for all models is 1/2" N.P.T.

① In accordance with D.O.E. test procedures.

② See Conversion Kit Index Form for high altitude derate in U.S. applications.

This furnace does not meet air district requirements of 14 ng/J NOx emissions limit, and thus is subject to a mitigation fee of up to \$450. This furnace is not eligible for the Clean Air Furnace Rebate Program: www.CleanAirFurnaceRebate.com.

This furnace is to be installed for propane firing only in air districts requiring 14 ng/J NOx emission limits. Operating in natural gas mode is in violation of these Rules.

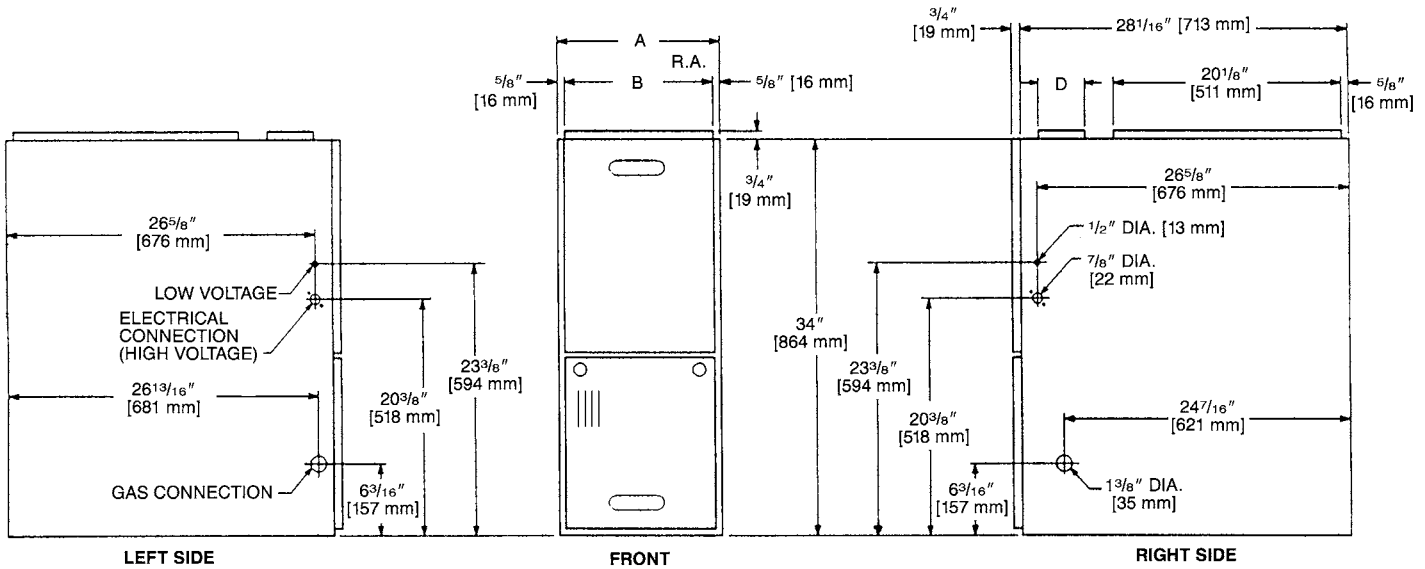
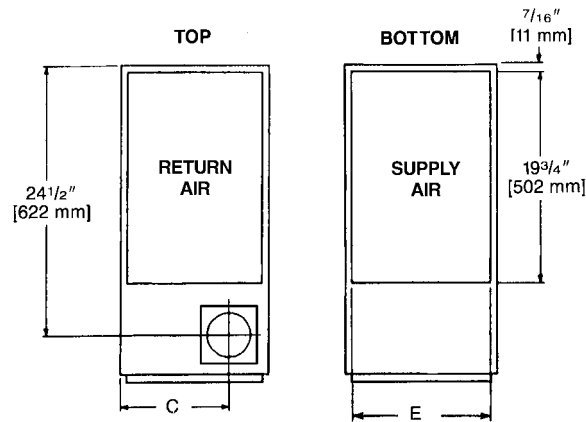
[] Designates Metric Conversions

Model Number Identification—Downflow Models

<u>R</u>	<u>80</u>	<u>1</u>	<u>P</u>	<u>A</u>	<u>075</u>	<u>4</u>	<u>17</u>	<u>Z</u>	<u>S</u>	<u>A</u>
Ruud	80 = 80% AFUE	1 = Single Stage	P = Premium PSC	Design Series A = 1st Design	Input BTU/HR [kW]	3 = Up to 3 Ton	Cabinet Width	Z = Down and Zero Clearance Downflow	X = Low NO _x S = Standard	Revision- Marketing (A – First Time Release)
					050 = 50,000 [15]	4 = 2½ to 4 Ton	14 = 14"			
					075 = 75,000 [22]	5 = 3½ to 5 Ton	17 = 17.5"			
					100 = 100,000 [29]		21 = 21"			
					125 = 125,000 [37]		24 = 24.5"			
					150 = 150,000 [44]					

[] Designates Metric Conversions

Downflow Dimensions



Dimensions and Clearance to Combustible Material (inches) [mm]

MODEL R801P (DOWNFLOW) SERIES	A	B	C	D	E	REDUCED CLEARANCES (IN.) [mm]						
						LEFT SIDE	RIGHT SIDE	BACK	TOP	FRONT	VENT	SHIP. WGTS. (LBS.) [kg]
050	14 [356]	12 27/32 [326]	10 3/8 [264]	Ⓛ	13 1/8 [333]	0	4 ②	0	1 [25]	3 [76]	6 [152] ③	85 [38.6]
075	17 1/2 [445]	16 11/32 [415]	12 1/8 [308]	Ⓛ	16 5/8 [422]	0	3 ②	0	1 [25]	3 [76]	6 [152] ③	105 [47.6]
100317	17 1/2 [445]	16 11/32 [415]	12 1/8 [308]	Ⓛ	16 5/8 [422]	0	3 ②	0	1 [25]	3 [76]	6 [152] ③	115 [52.2]
100521	21 [533]	19 27/32 [504]	13 7/8 [352]	Ⓛ	20 1/8 [511]	0	0	0	1 [25]	3 [76]	6 [152] ③	120 [54.4]
125	24 1/2 [622]	23 11/32 [593]	15 5/8 [397]	Ⓛ	23 3/8 [600]	0	0	0	1 [25]	3 [76]	6 [152] ③	140 [63.5]
150	24 1/2 [622]	23 11/32 [593]	15 5/8 [397]	Ⓛ	23 3/8 [600]	0	0	0	1 [25]	3 [76]	6 [152] ③	150 [68]

NOTES: ① May require a 3" [76 mm] to 4" [102 mm] or 3" [76 mm] to 5" [127 mm] adapter.

② May be 0" [0 mm] with type B vent.

③ May be 1" [25 mm] with type B vent.

Furnaces must be vented in accordance with the National Fuel Gas Code, ANSI Z223.1 and in accordance with local codes.

[] Designates Metric Conversions

Blower Performance Data—Downflow Models

MODEL R801P (DOWNFLOW) SERIES	BLOWER SIZE [mm]	MOTOR H.P. [W]	BLOWER SPEED	CFM [L/s] AIR DELIVERY EXTERNAL STATIC PRESSURE INCHES [kPa] WATER COLUMN							
				.1 [.02]	.2 [.05]	.3 [.07]	.4 [.10]	.5 [.12]	.6 [.15]	.7 [.17]	
				050314Z*A	11 x 6 [279 x 152]	1/2 [373]	LOW MED-LO MED-HI HIGH	735 [347] 1025 [484] 1185 [559] 1345 [635]	715 [337] 1015 [479] 1165 [550] 1330 [628]	690 [326] 995 [470] 1150 [543] 1310 [618]	660 [311] 975 [460] 1130 [533] 1295 [611]
075317Z*A	11 x 7 [279 x 178]	1/2 [373]	LOW MED-LO MED-HI HIGH	921 [435] 1094 [516] 1239 [585] 1424 [672]	896 [423] 1066 [503] 1211 [571] 1398 [660]	870 [411] 1037 [489] 1182 [558] 1372 [647]	845 [399] 1014 [478] 1164 [549] 1339 [632]	819 [387] 990 [467] 1146 [541] 1306 [616]	783 [369] 949 [448] 1117 [527] 1267 [598]	746 [352] 907 [428] 1087 [513] 1228 [580]	
075417Z*A	11 x 7 [279 x 178]	3/4 [559]	LOW MED-LO MED-HI HIGH	1210 [571] 1580 [746] 1915 [904] —	1205 [569] 1560 [736] 1880 [887] 2050 [967]	1195 [564] 1550 [732] 1825 [861] 1995 [942]	1180 [557] 1530 [722] 1790 [845] 1940 [916]	1165 [550] 1495 [706] 1740 [821] 1885 [890]	1155 [545] 1465 [691] 1675 [791] 1835 [866]	1130 [533] 1430 [675] 1600 [755] 1770 [835]	
100317Z*A	11 x 7 [279 x 178]	1/2 [373]	LOW MED-LO MED-HI HIGH	918 [433] 1080 [510] 1228 [580] 1436 [678]	896 [423] 1063 [502] 1202 [567] 1400 [661]	873 [412] 1045 [493] 1176 [555] 1363 [643]	843 [398] 1014 [479] 1147 [541] 1336 [630]	813 [384] 983 [464] 1118 [528] 1308 [617]	787 [371] 946 [446] 1085 [512] 1260 [595]	760 [359] 909 [429] 1051 [496] 1212 [572]	
100521Z*A	11 x 10 [279 x 254]	3/4 [559]	LOW MED-LO MED-HI HIGH	1379 [651] 1737 [820] 2182 [1030] 2435 [1149]	1360 [642] 1715 [809] 2140 [1010] 2370 [1118]	1340 [632] 1693 [799] 2097 [990] 2304 [1087]	1319 [622] 1662 [784] 2042 [964] 2246 [1060]	1298 [613] 1631 [770] 1987 [938] 2188 [1033]	1266 [597] 1594 [752] 1935 [913] 2115 [998]	1234 [582] 1557 [735] 1883 [889] 2041 [963]	
125524Z*A	11 x 10 [279 x 254]	3/4 [559]	LOW MED-LO MED-HI HIGH	1330 [628] — — —	1295 [611] 1690 [798] 2090 [986] 2395 [1130]	1280 [604] 1660 [783] 2035 [960] 2335 [1102]	1240 [585] 1635 [772] 1985 [937] 2260 [1067]	1215 [573] 1580 [746] 1930 [911] 2185 [1031]	1210 [571] 1535 [724] 1850 [873] 2080 [982]	1175 [555] 1480 [698] 1785 [842] 1965 [927]	
150524Z*A	11 x 10 [279 x 254]	3/4 [559]	LOW MED-LO MED-HI HIGH	1300 [614] 1675 [791] 2105 [993] —	1280 [604] 1650 [779] 2075 [979] 2340 [1104]	1230 [580] 1620 [765] 2035 [960] 2290 [1081]	1205 [569] 1570 [741] 1990 [939] 2215 [1045]	1170 [552] 1545 [729] 1955 [923] 2145 [1012]	1115 [526] 1485 [701] 1900 [897] 2080 [982]	1030 [486] 1425 [673] 1815 [857] 1995 [942]	

NOTES: Data compiled with factory filters installed.
Recommended blower speeds are in bold.

[] Designates Metric Conversions

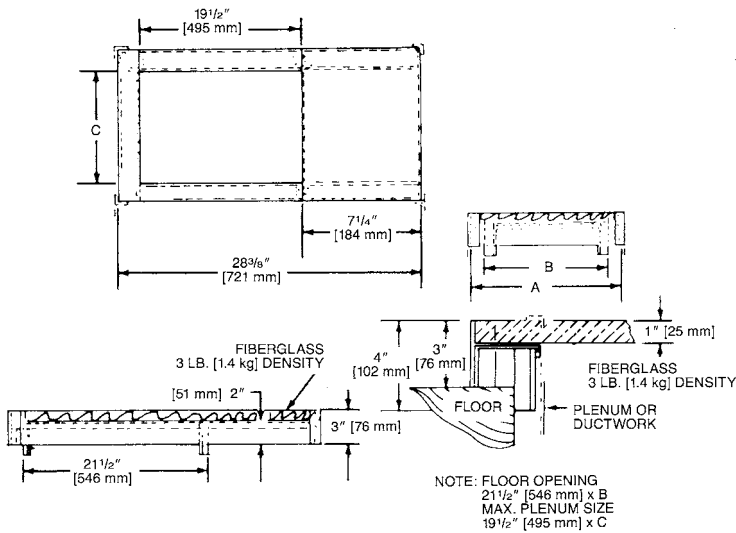
DOWNFLOW ACCESSORIES

DOWNFLOW WARNING: Unit design is certified for installation on non-combustible floor. A special factory supplied combustible floor sub-base is required when installing on a combustible floor. Failure to install the sub-base may result in fire, property damage and personal injury.

COMBUSTIBLE FLOOR BASE DIMENSIONS

COMBUSTIBLE FLOOR BASE	USE WITH FURNACE SIZES	A IN. [mm]	B IN. [mm]	C IN. [mm]
RXGC-B14	R801P050	14 ¹ / ₂ [368]	13 ¹ / ₄ [337]	11 ¹ / ₄ [286]
RXGC-B17	R801P075, R801P100317	18 [457]	16 ³ / ₄ [425]	14 ³ / ₄ [451]
RXGC-B21	R801P100521	21 ¹ / ₂ [546]	20 ¹ / ₄ [514]	18 ¹ / ₄ [464]
RXGC-B24	R801P125, R801P150	25 [635]	23 ³ / ₄ [603]	21 ³ / ₄ [552]

[] Designates Metric Conversions



RXGF-CC*

FILTER RACK—Downflow top return mount. Requires (2) 14 x 20 Filters.

NOTE: Filter racks are shipped without filters.

*Filters available through PROSTOCK ®.

FOR HIGH ALTITUDES:

HIGH ALTITUDE OPTION CODE: U.S. –

None required for high altitudes.

HIGH ALTITUDE CONVERSION KITS: U.S. –

None required for high altitudes.

80+ HIGH ALTITUDE INSTRUCTIONS

Caution: Always follow National Fuel Gas Code (NFGC) guidelines when converting for high altitudes.

High altitude option codes are not required for these models. However, the burner orifice size needs to be recalculated and verified at elevations above 2000 ft. See Installation Instructions for more information.

GENERAL TERMS OF LIMITED WARRANTY*

Ruud will furnish a replacement for any part of this product which fails in normal use and service within the applicable period stated, in accordance with the terms of the limited warranty.

***For complete details of the Limited and Conditional Warranties, including applicable terms and conditions, contact your local contractor or the Manufacturer for a copy of the product warranty certificate.**

Heat Exchanger.....Twenty (20 Years)
Conditional Parts (Registration Required)Ten (10) Years



In keeping with its policy of continuous progress and product improvement, Ruud reserves the right to make changes without notice.

Ruud Heating, Cooling & Water Heating • P.O. Box 17010
Fort Smith, Arkansas 72917 • www.ruud.com

Ruud Canada • 125 Edgeware Road, Unit 1
Brampton, Ontario • L6Y 0P5

RELY ON RUUD.™