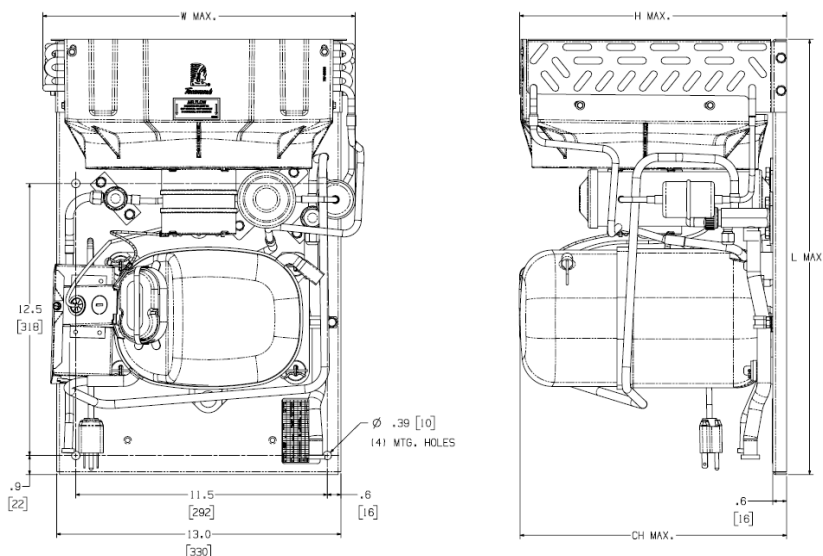




Celseon® Air Cooled Condensing Unit

Model: AJB2439ZAAD*
BoM: 2G701-** R-404a 1 HP



Model	Dimensions, inches				Line Connection*		Pumpdown	Air	Oil Ch	Gr. Wt.
	L	W	H	CH	Suction	Liquid	90 °F 90%	SCFM	Oz.	Lbs.
AJB2439ZAADA	20.0	14.3	12.1	12.2	3/8" S	1/4" S	N/A	230	30	63
AJB2439ZAADG					5/8" S	3/8" S	2.7 lbs			64
AJB2439ZAADH					5/8" S	3/8" S	N/A			63
AJB2439ZAADK					3/8" S	1/4" S	N/A			63
AJB2439ZAADC					5/8" S	3/8" S	2.7 lbs			64
AJB2439ZAADS					5/8" S	3/8" S	N/A			63
AJB2439ZAADJ					5/8" S	3/8" S	2.7 lbs			64
AJB2439ZAADP					5/8" S	3/8" S	2.7 lbs			64

* F = Flare, S = Solder, RF or RS = Rotolock with Flare or Solder Connections, C = Compression Fitting
Factory charge: 20 PSIG Nitrogen – **MUST BE EVACUATED**

Evaporator T,		Ambient Temperatures											
		80°F			90°F			100°F			110°F		
°F	PSIG	BTUH	Watts	Cond T	BTUH	Watts	Cond T	BTUH	Watts	Cond T	BTUH	Watts	Cond T
-40	4.8	2018	616	93	1749	600	102	1495	584	111	1257	568	120
-35	7.5	2372	684	95	2067	672	104	1780	660	113	1509	648	122
-30	10.2	2749	757	98	2408	749	107	2084	740	115	1779	732	124
-25	13.5	3145	833	100	2766	829	109	2405	825	118	2062	821	126
-20	16.7	3556	914	103	3137	914	112	2737	914	120	2355	914	129
-15	20.5	3977	999	106	3516	1004	114	3075	1008	123	2652	1012	131
-10	24.3	4402	1089	109	3898	1098	117	3414	1106	126	2947	1114	134
-5	28.9	4825	1183	112	4276	1196	120	3746	1208	129	3233	1220	137
0	33.4	5239	1281	115	4644	1298	123	4066	1314	132	3503	1331	140
5	38.7	5637	1384	119	4992	1405	127	4364	1425	135	---	---	---
10	43.9	6010	1491	122	5314	1516	130	4632	1540	138	---	---	---

60 Hz Performance

Return gas temp. 40°F, 5°F sub cooling

Electrical Diagram Page 3

