



# Celseon® Air Cooled Condensing Unit

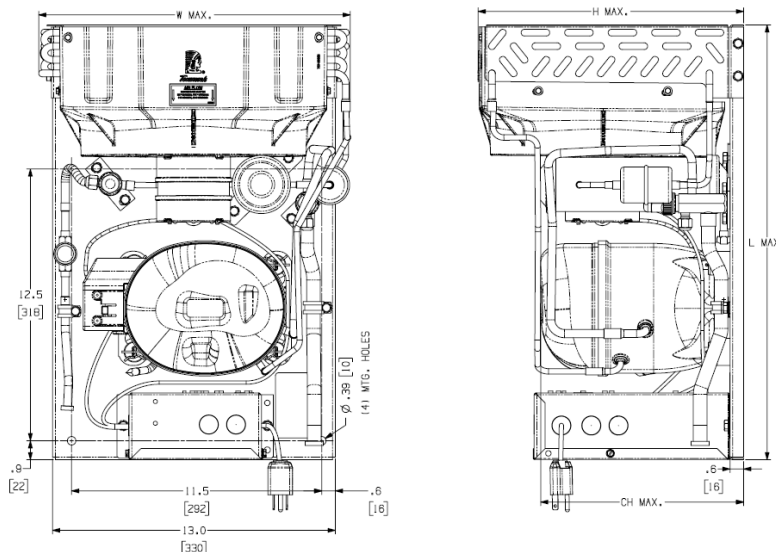


Model: AE2425Z-AA3CD\*

BoM: 2G740-\*\*

R-404A

3/4 HP



Model	Dimensions, inches				Line Connection*		Pumpdown	Air	Oil Ch	Gr. Wt.
	L	W	H	CH	Suction	Liquid	90 °F 90%	SCFM	Oz.	Lbs.
AE2425Z-AA3CDA	20.0	14.3	12.1	9.3	5/16" S	1/4" S	N/A	270	9.5	45
AE2425Z-AA3CDG					5/8" S	3/8" S	2.7 lbs			47
AE2425Z-AA3CDH					5/8" S	3/8" S	N/A			45
AE2425Z-AA3CDK					5/16" S	1/4" S	N/A			45
AE2425Z-AA3CDC					5/8" S	3/8" S	2.7 lbs			47
AE2425Z-AA3CDS					5/8" S	3/8" S	N/A			45
AE2425Z-AA3CDJ					5/8" S	3/8" S	2.7 lbs			47
AE2425Z-AA3CDP					5/8" S	3/8" S	2.7 lbs			47

\* F = Flare, S = Solder, RF or RS = Rotolock with Flare or Solder Connections, C = Compression Fitting

Factory charge: 20 PSIG Nitrogen – **MUST BE EVACUATED**

### Ambient Temperatures

Evaporator T,		Ambient Temperatures											
		80°F			90°F			100°F			110°F		
°F	PSIG	BTUH	Watts	Cond T	BTUH	Watts	Cond T	BTUH	Watts	Cond T	BTUH	Watts	Cond T
-40	4.8	1138	336	87	992	331	96	854	326	106	725	321	115
-35	7.5	1341	366	88	1179	364	98	1026	361	107	880	359	116
-30	10.2	1566	398	90	1386	398	99	1215	398	108	1052	398	118
-25	13.5	1809	432	92	1610	434	101	1420	436	110	1238	438	119
-20	16.7	2070	467	93	1850	471	103	1639	476	112	1436	480	121
-15	20.5	2345	503	95	2103	510	104	1870	517	113	1644	524	123
-10	24.3	2633	541	97	2440	550	106	2111	559	115	1861	569	124
-5	28.2	2931	580	99	2641	592	108	2359	603	117	2084	615	126
0	33.4	3237	621	102	2921	635	110	2613	649	119	2310	663	128
5	38.7	3548	663	104	3206	679	112	2869	696	121	2538	712	130
10	43.9	3863	707	106	3492	725	115	3126	744	123	2765	763	132

### 60 Hz Performance

Return gas temp. 40°F, 5°F sub cooling



## Electrical Diagram Page 3

