

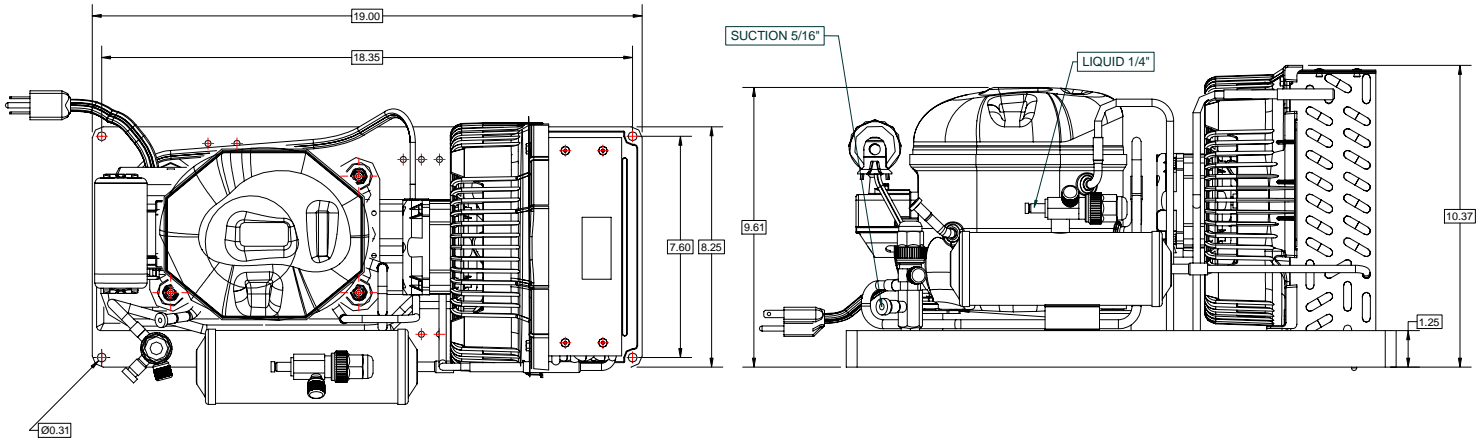
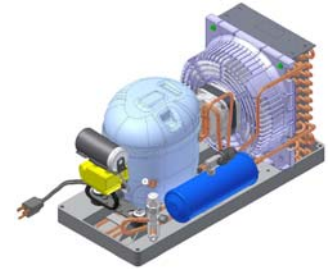


# TECUMSEH HERMETIC CONDENSING UNIT



**Model** AE4430Y-AA1AGL, GK, GB, GC  
**BOM** 33Y430-2, -3, -4, -5

**Air Cooled** 1/4 HP  
**Application** High Temp  
**Refrigerant** R 134a  
**Volts-Hz-Ph** 115-60-1



Model	Dimensions, inches (mm)			Line connections		Pumpdown	Air flow	Oil Ch.	Gross wt.
	L	W	H	Suction	Liquid	90% @90°F	CFM	Oz.	Lbs (kg)
AE4430Y-AA1AGL	19 (483)	8.7 (221)	10.3 (262)	5/16 Sweat	1/4 Sweat	n/a	242	16	39.6 (18)
AE4430Y-AA1AGK		9.7 (246)				1.78			40.2 (18.2)
AE4430Y-AA1AGB				5/16 Valve Sweat	1/4 Valve Sweat	2.16			40.8 (18.5)
AE4430Y-AA1AGC									

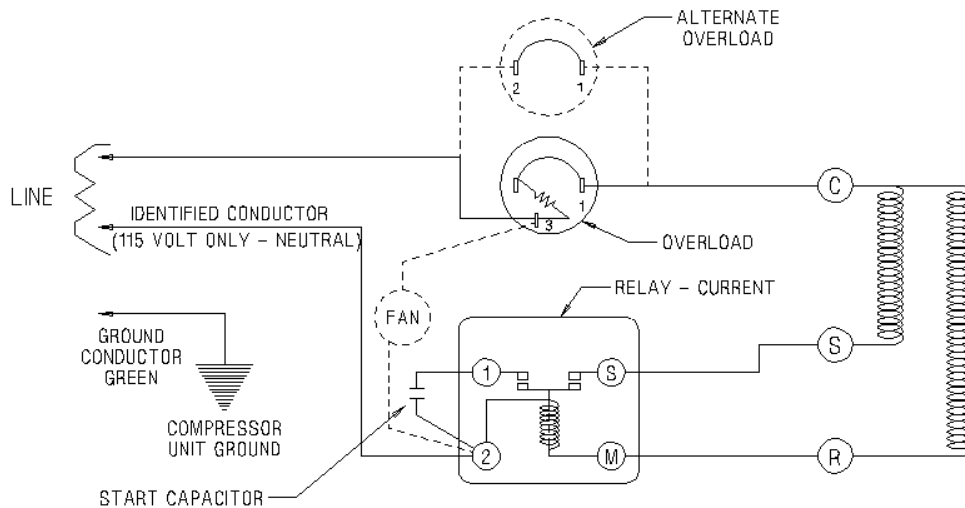
Factory charge 20 psig dry air, **MUST BE EVACUATED**

Evaporator		Ambient Temperatures											
		80°F			90°F			100°F			110°F		
°F	Psig	BTUH	Watts	Cond T	BTUH	Watts	Cond T	BTUH	Watts	Cond T	BTUH	Watts	Cond T
20	18.4	2020	340	105	1870	350	114	1730	360	123	1580	370	131
25	22.1	2270	360	108	2090	380	117	1940	380	126	1750	390	134
30	26.0	2510	380	111	2310	400	120	2150	410	129	1940	420	137
35	30.3	2750	410	114	2540	420	123	2360	430	132	2140	450	140
40	35.0	2990	430	118	2760	450	127	2580	460	135	2350	480	143
<b>45</b>	<b>40.0</b>	<b>3220</b>	<b>460</b>	<b>122</b>	<b>2990</b>	<b>470</b>	<b>130</b>	<b>2800</b>	<b>490</b>	<b>138</b>	<b>2570</b>	<b>510</b>	<b>146</b>
50	45.3	3450	490	126	3220	500	134	3030	520	141	2800	540	150

Performance @ 60 Hz, Return gas 65°F, SubCooling 5°F

### Parts/Specifications

<b>Unit BOM</b>	<b>33Y430-2</b>	Condenser	50733-G04
<b>Unit MODEL</b>	<b>AE4430Y-AA1AGL</b>	Shroud	
		Fan Guard	116-003P
Refrigeration RANGE	20°F to 55°F		
Design Pressure Low	150	Replacement Fan Motor	6W115
Design Pressure High	300	F. M., blade, guard assy	YFBG-106
Volts - HZ - Ph	115-60-1	F. M., blade, guard, shroud assy	
Voltage Range	126.5 to 103.5		
Min. Circuit Ampacity	6.53	Electrical Diagram	DEAE-10
Max. Fuse Size	15	Unit Drawing	DGBU-062
Compressor MODEL	AE4430Y-AA1A	<b>Unit BOM</b>	<b>33Y430-3</b>
Compressor BOM	AE-1023-E	<b>Unit MODEL</b>	<b>AE4430Y-AA1AGK</b>
Compressor LRA	27.5	Power Cord	85106-10
Compressor RLA	4.91	Unit Drawing	DGBU-062
OverLoad	830-10043	<b>Unit BOM</b>	<b>33Y430-4</b>
Relay	820-10030	<b>Unit MODEL</b>	<b>AE4430Y-AA1AGB</b>
Run Capacitor		Receiver	51085-1H
Run Capacitor Rating		Unit Drawing	DGBU-062R
Start Capacitor	85PS110C76		
Start Capacitor Rating	243-292 MFD 110V	<b>Unit BOM</b>	<b>33Y430-5</b>
		<b>Unit MODEL</b>	<b>AE4430Y-AA1AGC</b>
Fan Motor	NUT6B06ZUN301	Receiver w/Liquid Valve	51085-1HV
Fan Motor RLA	0.41	Suction Valve	56580-1
Fan Blade	4VEA009	Unit Drawing	DGBU-062V



115 OR 230 VOLT - SCHEMATIC WIRING DIAGRAM - CSIR  
REF. DWG. MD472-1

WARNING - WIRING DIAGRAM MUST BE FOLLOWED AS SHOWN. ANY MISWIRING CAN CAUSE SERIOUS ELECTRICAL HAZARD AND POTENTIAL DAMAGE OR RUPTURE OF COMPONENT ELECTRICAL PARTS.

DEAE-10