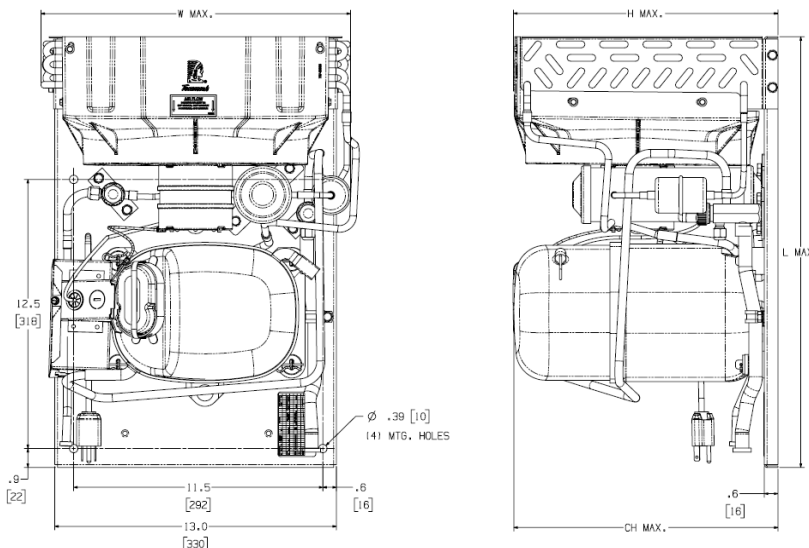




Celseon® Air Cooled Condensing Unit

Model: AJB2447ZNAD*
BoM: 2G1001-** R-404a 1-1/4 HP



Model	Dimensions, inches				Line Connection*		Pumpdown	Air	Oil Ch	Gr. Wt.
	L	W	H	CH	Suction	Liquid	90 °F 90%	SCFM	Oz.	Lbs.
AJB2447ZNADA	20.0	14.3	12.1	12.2	3/8" S	1/4" S	N/A	230	30	63
AJB2447ZNADG					5/8" S	3/8" S	2.7 lbs			64
AJB2447ZNADH					5/8" S	3/8" S	N/A			63
AJB2447ZNADK					3/8" S	1/4" S				63
AJB2447ZNADC					5/8" S	3/8" S	2.7 lbs			64
AJB2447ZNADS					5/8" S	3/8" S	N/A			63
AJB2447ZNADJ					5/8" S	3/8" S	2.7 lbs			64
AJB2447ZNADP					5/8" S	3/8" S	2.7 lbs			64

* F = Flare, S = Solder, RF or RS = Rotolock with Flare or Solder Connections, C = Compression Fitting
Factory charge: 20 PSIG Nitrogen – **MUST BE EVACUATED**

Ambient Temperatures

Evaporator T,		80°F				90°F			100°F			110°F		
°F	PSIG	BTUH	Watts	Cond T	BTUH	Watts	Cond T	BTUH	Watts	Cond T	BTUH	Watts	Cond T	
-40	4.3	2431	842	95	2089	825	104	1769	808	113	1470	792	122	
-35	6.7	2833	921	98	2457	908	107	2102	895	115	1770	882	124	
-30	9.6	3270	1007	101	2857	997	110	2466	987	118	2097	978	127	
-25	12.7	3735	1097	104	3283	1091	113	2853	1085	121	2444	1079	129	
-20	16.0	4222	1193	107	3729	1191	116	3257	1188	124	2806	1186	132	
-15	19.7	4723	1294	111	4187	1295	119	3672	1297	127	3175	1298	135	
-10	23.7	5231	1401	114	4649	1406	122	4087	1411	130	3542	1415	138	
-5	27.9	5736	1513	118	5107	1522	125	4496	1530	133	3898	1538	141	
0	32.6	6229	1631	121	5550	1643	129	4886	1655	136	---	---	---	
5	37.6	6699	1754	125	5967	1770	132	5247	1785	139	---	---	---	
10	43.1	7133	1883	129	6346	1902	136	---	---	---	---	---	---	

60 Hz Performance

Return gas temp. 40°F, 5°F sub cooling

Specifications/ Parts:

Unit Model	AJB2447ZNADA
Unit Bill of Material	2G1001-09
Refrigeration Range	-40° F to +10° F
Design Pressure Low	181
Design Pressure High	450
Nominal Volts-Hz-Ph	208-230/60/1
Voltage Range	187 to 254
Min. Circuit Ampacity	11.1
Max. Fuse Size (amps)	15
Compressor Model	AJB2444ZXD
Comp. Bill of Material	AJ605EF-442-J7
Compressor RLA/LRA	8.5/55
Overload	8300GA3S29
Relay	8200RVAM08
Run Capacitor	85PR370E35
Start Capacitor	85PS330D15
Fan Motor	810-10096
Fan Motor RLA	.45
Fan Blade	515-10003
Fan Shroud/Guard Combo	707-00005
Condenser	506-10008
Unit Drawing	DGU1971-05
Wiring Diagram	91266-02
Replacement Kit: Relay	K71-30
Replacement Kit: O/L	K90-48
Replacement Kit: St. Cap	K146-42

Unit Model	AJB2447ZNADG
Unit Bill of Material	2G1001-19
Receiver Tank	510-10000
Liquid Valve	56659
Suction Valve	56660
Unit Model	AJB2447ZNADH
Unit Bill of Material	2G1001-29
Liquid Valve	56659
Suction Valve	56660
Unit Model	AJB2447ZNADK
Unit Bill of Material	2G1001-39
Power Cord	85259-7
Unit Model	AJB2447ZNADC
Unit Bill of Material	2G1001-59
Receiver Tank	510-10000
Liquid Valve	56659
Suction Valve	56660
Power Cord	85259-7
Unit Model	AJB2447ZNADS
Unit Bill of Material	2G1001-69
Liquid Valve	56659
Suction Valve	56660
Power Cord	85259-7
Unit Model	AJB2447ZNADJ
Unit Bill of Material	2G1001-79
Receiver Tank	510-10000
Liquid Valve	56659
Suction Valve	56660
Filter Drier	71116
Sight Glass	70084
Unit Model	AJB2447ZNADP
Unit Bill of Material	2G1001-89
Receiver Tank	510-10000
Liquid Valve	56659
Suction Valve	56660
Power Cord	85259-7
Filter Drier	71116
Sight Glass	70084

Electrical Diagram Page 3

