

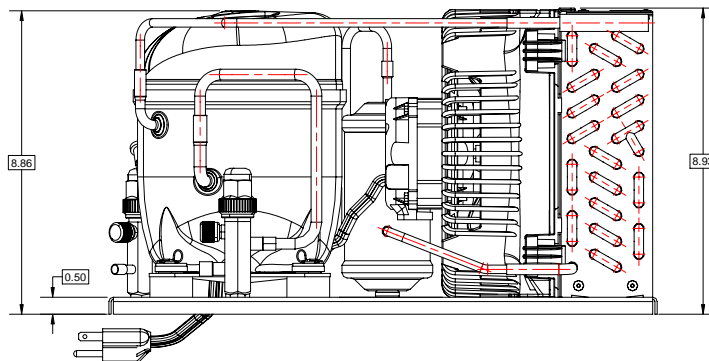
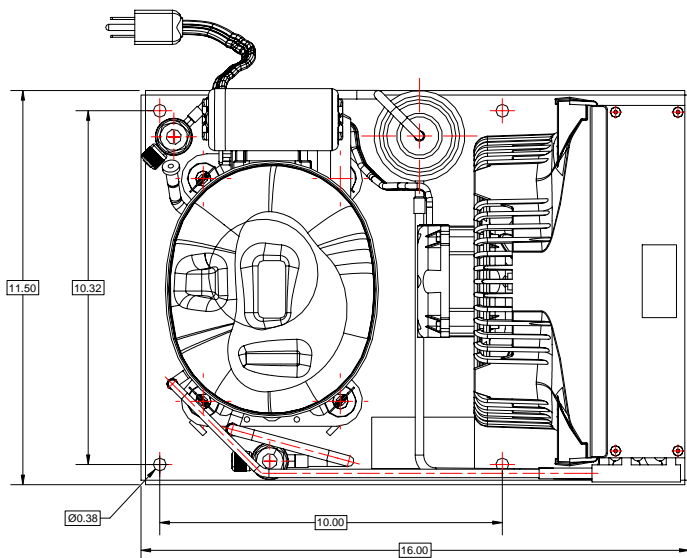
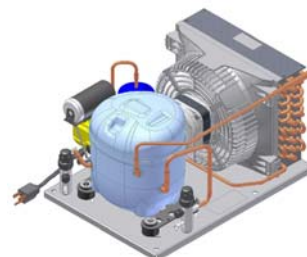


CELSEON[®] LOW PROFILE CONDENSING UNIT



Model AE4440Y-AA1ASK, -SB, -SC, -SS
BOM 32F360-39S, -49S, -59S, -69S

Air Cooled 1/3 HP
Application High Temp
Refrigerant R134a
Volts-Hz-Ph 115-60-1



Model	Dimensions, inches (mm)			Line Connections		Pumpdown	AirFlow	Oil Ch.	Gross weight
	L	W	H	Suction	Liquid	90% @90°F	CFM	Oz	Lbs (kg)
AE4440Y-AA1ASK	16. (406)	11.5 (292)	8.9 (226)	5/16" Sweat	1/4" Sweat	n/a	190	9.5	38.1 (17.3)
AE4440Y-AA1ASB						1.83			38.7 (13.0)
AE4440Y-AA1ASC				3/8" Valve Sweat	1/4" Valve Sweat	n/a			39.5 (17.9)
AE4440Y-AA1ASS						n/a			38.9 (17.6)

Factory charge 20 PSIG dry air, **MUST BE EVACUATED**

Evaporator		Ambient Temperatures															
		80°F				90°F				100°F				110°F			
T, °F	PSIG	BTUH	Watts	Head	Cond T	BTUH	Watts	Head	Cond T	BTUH	Watts	Head	Cond T	BTUH	Watts	Head	Cond T
10	12.1	2020	370	122	99	1880	380	143	108	1700	400	166	118	1570	400	188	126
15	15.2	2260	390	127	101	2100	410	148	111	1930	420	171	120	1760	430	195	128
20	18.6	2510	410	132	104	2340	430	154	113	2150	440	177	122	1970	460	202	131
25	22.3	2780	440	138	106	2580	460	161	116	2390	470	184	125	2180	490	210	133
30	26.3	3050	460	144	109	2830	490	168	119	2620	500	191	127	2390	520	218	136
35	30.6	3340	490	152	112	3100	520	176	122	2860	540	200	130	2620	560	227	139
40	35.2	3650	520	159	115	3370	550	184	125	3110	570	209	133	2850	600	236	142
45	40.3	3970	560	168	119	3650	590	193	128	3360	610	218	136	3080	640	246	145
50	45.6	4300	590	177	122	3950	620	203	131	3610	650	229	139	3330	680	257	148
55	51.4	4640	630	187	126	4250	660	214	135	3870	700	240	143	3580	730	268	152

Performance @ 60 Hz, Return gas 65°F, SubCooling 5°F

Parts/Specifications

Unit BOM	32F360-39S	Condenser	506-G434
Unit MODEL	AE4440Y-AA1ASK	Fan Guard	116-002P
		Condenser, Fan Guard Kit	K135-02
Refrigerant	R134a	Power Cord	85106-10
Refrigeration RANGE	20°F to 55°F		
Design Pressure Low	150	Fan Motor	NUT6B09PUN301
Design Pressure High	300	Fan Motor RLA	0.58
Volts - HZ - Ph	115V ~ 60HZ	Fan Blade	4VEA010
Voltage Range	103.5 - 126.5	Replacement Fan Motor	9W115
Min. Circuit Ampacity	7.86	Fan Motor, Blade, Guard assy	GFBG-109
Max. Fuse Size	15		
Compressor MODEL	AE4440Y-AA1A		
Compressor BOM	AE-1022-E		
Compressor LRA	32	Unit BOM	32F360-49S
Compressor RLA	5.82	Unit MODEL	AE4440Y-AA1ASB
		Liquid Receiver	51085-1
OverLoad	830-10024		
Replacement Kit - O/L	K90-56	Unit BOM	32F360-59S
Relay	820-10031	Unit MODEL	AE4440Y-AA1ASC
Replacement Kit - Relay	K71-36	Liquid Receiver	51085-1
Run Capacitor		Liquid Valve	56605
Run Capacitor Rating		Suction Valve	56604
Start Capacitor	85PS165D64		
Start Capacitor Rating	324-389 MFD 165V	Unit BOM	32F360-69S
		Unit MODEL	AE4440Y-AA1ASS
Unit drawing DGU	DGU1896-G103	Liquid Valve	56605
Electrical Diagram	DEAE-10	Suction Valve	56604

