



Tecumseh

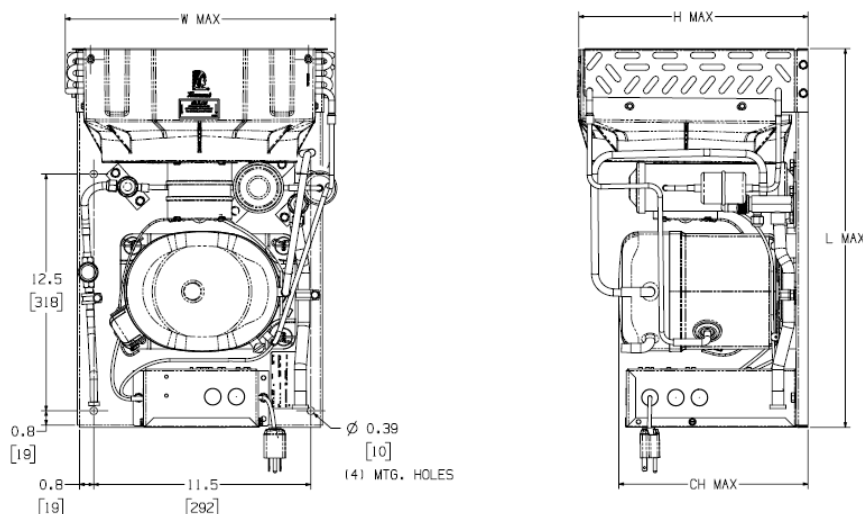
Celseon® Air Cooled Condensing Unit

Model: AKA2430ZAAD*

BoM: 2G739-**

R-404a

3/4 HP



Model	Dimensions, inches				Line Connection*		Pumpdown	Air	Oil Ch	Gr. Wt.
	L	W	H	CH	Suction	Liquid	90 °F 90%	SCFM	Oz.	Lbs.
AKA2430ZAADA	20.0	14.3	12.1	10.1	3/8" S	1/4" S	N/A	230	17	63
AKA2430ZAADG					5/8" S	3/8" S	2.7 lbs			64
AKA2430ZAADH					5/8" S	3/8" S	N/A			63
AKA2430ZAADK					3/8" S	1/4" S	63			
AKA2430ZAADC					5/8" S	3/8" S	2.7 lbs			64
AKA2430ZAADS					5/8" S	3/8" S	N/A			63
AKA2430ZAADJ					5/8" S	3/8" S	2.7 lbs			64
AKA2430ZAADP					5/8" S	3/8" S	2.7 lbs			64

* F = Flare, S = Solder, RF or RS = Rotolock with Flare or Solder Connections, C = Compression Fitting

Factory charge: 20 PSIG Nitrogen – **MUST BE EVACUATED**

Evaporator T,		Ambient Temperatures											
		80°F			90°F			100°F			110°F		
°F	PSIG	BTUH	Watts	Cond T	BTUH	Watts	Cond T	BTUH	Watts	Cond T	BTUH	Watts	Cond T
-40	4.3	1122	384	86	818	345	94	540	306	103	288	268	111
-35	6.7	1474	437	88	1148	403	96	847	369	105	574	335	113
-30	9.6	1842	490	91	1494	460	99	1171	431	107	874	402	115
-25	12.7	2226	542	93	1853	517	101	1506	493	109	1186	468	117
-20	16.0	2620	594	96	2223	574	104	1851	554	112	1505	534	120
-15	19.7	3023	646	98	2600	630	106	2202	615	114	1829	599	122
-10	23.7	3432	697	101	3003	686	109	2555	675	117	2154	664	125
-5	27.9	3845	748	104	3364	742	111	2908	735	119	2477	729	127
0	32.6	4259	798	106	3747	797	114	3260	795	122	2796	793	130
5	37.6	4674	848	109	4129	851	117	3608	854	124	3110	857	132
10	43.1	5088	898	111	4508	905	119	3951	913	127	3415	921	134

60 Hz Performance

Return gas temp. 40°F, 5°F sub cooling

Specifications/ Parts:

Unit Model	AKA2430ZAADA
Unit Bill of Material	2G739-09
Refrigeration Range	-40° F to +10° F
Design Pressure Low	181
Design Pressure High	450
Nominal Volts-Hz-Ph	115/60/1
Voltage Range	103 to 127
Min. Circuit Ampacity	9.1
Max. Fuse Size (amps)	15
Compressor Model	AKA2425ZXA
Comp. Bill of Material	AK176AT-037-J7
Compressor RLA/LRA	6.3/40
Overload	8300MRTT42
Relay	8200RVAL96
Run Capacitor	85PR370F17
Start Capacitor	85PS330D15
Fan Motor	810-10097
Fan Motor RLA	.85
Fan Blade	515-10003
Fan Shroud/Guard Combo	707-00005
Condenser	506-10008
Unit Drawing	DGU1970-04
Wiring Diagram	91266-02
Replacement Kit: Relay	K71-43
Replacement Kit: O/L	K90-63
Replacement Kit: St. Cap	K146-42

Unit Model	AKA2430ZAADG
Unit Bill of Material	2G739-19
Receiver Tank	510-10000
Liquid Valve	56659
Suction Valve	56660
Unit Model	AKA2430ZAADH
Unit Bill of Material	2G739-29
Liquid Valve	56659
Suction Valve	56660
Unit Model	AKA2430ZAADK
Unit Bill of Material	2G739-39
Power Cord	85106-22
Unit Model	AKA2430ZAADC
Unit Bill of Material	2G739-59
Receiver Tank	510-10000
Liquid Valve	56659
Suction Valve	56660
Power Cord	85106-22
Unit Model	AKA2430ZAADS
Unit Bill of Material	2G739-69
Liquid Valve	56659
Suction Valve	56660
Power Cord	85106-22
Unit Model	AKA2430ZAADJ
Unit Bill of Material	2G739-79
Receiver Tank	510-10000
Liquid Valve	56659
Suction Valve	56660
Filter Drier	71116
Sight Glass	70084
Unit Model	AKA2430ZAADP
Unit Bill of Material	2G739-89
Receiver Tank	510-10000
Liquid Valve	56659
Suction Valve	56660
Power Cord	85106-22
Filter Drier	71116
Sight Glass	70084

Electrical Diagram Page 3

