



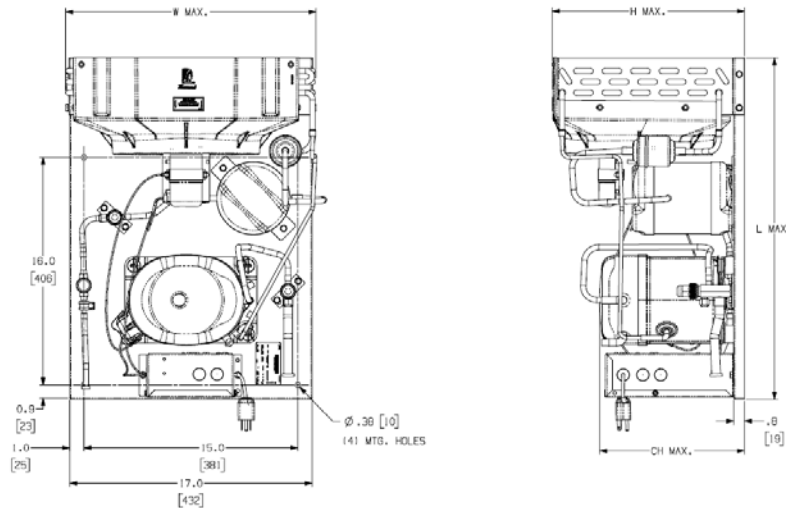
# Celseon® Air Cooled Condensing Unit

Model: AKA9457ZNAD\*

BoM: 2G715-\*\*

R-404a

3/4 HP



Model	Dimensions, inches				Line Connection*		Pumpdown	Air	Oil Ch	Gr. Wt.
	L	W	H	CH	Suction	Liquid	90 °F 90%	SCFM	Oz.	Lbs.
AKA9457ZNADA	24.0	17.5	13.4	10.2	3/8" S	3/8" S	N/A	270	17	66
AKA9457ZNADG					5/8" S	3/8" S	6.1 lbs			67
AKA9457ZNADH					5/8" S	3/8" S	N/A			66
AKA9457ZNADK					3/8" S	3/8" S	N/A			66
AKA9457ZNADC					5/8" S	3/8" S	6.1 lbs			67
AKA9457ZNADS					5/8" S	3/8" S	N/A			66
AKA9457ZNADJ					5/8" S	3/8" S	6.1 lbs			68
AKA9457ZNADP					5/8" S	3/8" S	6.1 lbs			68

\* F = Flare, S = Solder, RF or RS = Rotolock with Flare or Solder Connections, C = Compression Fitting  
Factory charge: 20 PSIG Nitrogen – **MUST BE EVACUATED**

Evaporator T,		Ambient Temperatures											
		80°F			90°F			100°F			110°F		
°F	PSIG	BTUH	Watts	Cond T	BTUH	Watts	Cond T	BTUH	Watts	Cond T	BTUH	Watts	Cond T
-10	23.7	3665	902	98	3280	909	107	2734	883	115	1923	842	123
-5	28.0	4073	960	101	3607	966	110	3071	950	118	2410	922	126
0	33.4	4513	1021	104	3971	1027	112	3434	1020	120	2866	1002	128
5	39.0	4986	1084	107	4374	1091	115	3821	1092	123	3291	1084	131
10	43.9	5491	1149	109	4815	1159	117	4233	1166	125	3686	1165	133
15	49.8	6029	1217	112	5294	1229	120	4670	1242	128	4049	1248	136
20	56.1	6599	1287	115	5812	1303	123	5133	1320	131	4382	1331	138
25	62.9	7201	1359	118	6367	1380	126	5620	1401	133	4684	1415	141
30	70.2	7836	1434	121	6961	1460	129	6132	1483	136	---	---	---
35	77.9	8504	1511	125	7592	1543	132	6670	1568	139	---	---	---
40	87.0	9203	1591	128	8262	1630	135	---	---	---	---	---	---
45	95.1	9936	1673	131	8970	1720	138	---	---	---	---	---	---

## 60 Hz Performance

Return gas temp 40°F below 20°F evaporator,  
and 65°F above 20° evap, 5°F sub cooling



## Electrical Diagram Page 3

