



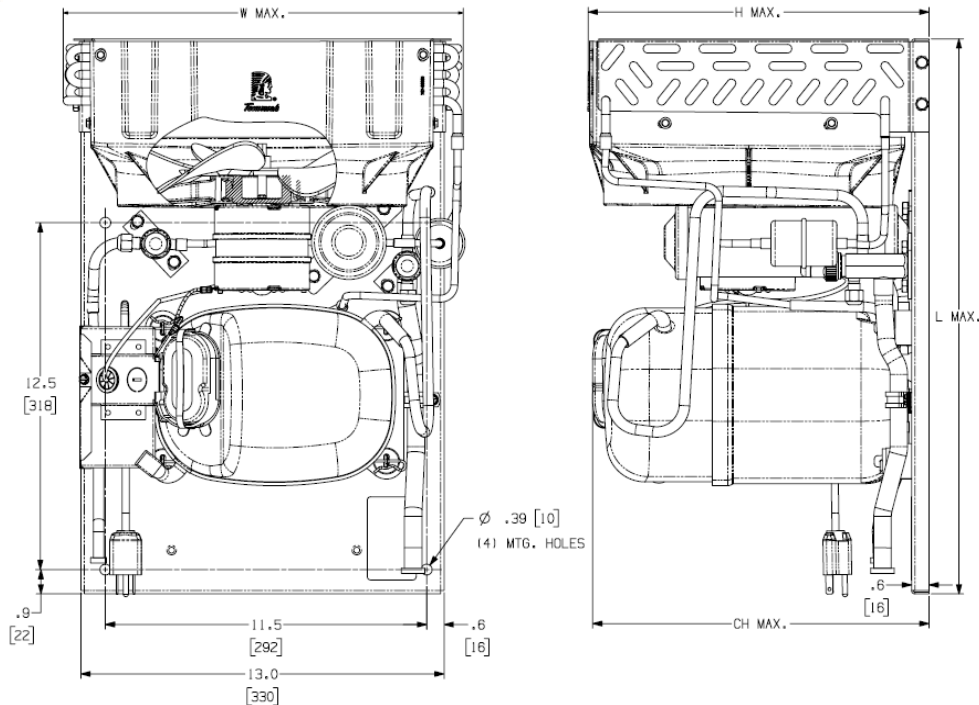
# Celseon® Air Cooled Condensing Unit

Model: AJA4480YAAD\*

BoM: 2G733-\*\*

R-134a

3/4 HP



Model	Dimensions, inches				Line Connection*		Pumpdown 90 °F 90%	Air SCFM	Oil Ch Oz.	Gr. Wt. Lbs.
	L	W	H	CH	Suction	Liquid				
AJA4480YAADA	20.0	14.3	12.1	11.6	3/8" S	1/4" S	N/A	230	26	63
AJA4480YAADG					5/8" S	3/8" S	3.2 lbs			64
AJA4480YAADH					5/8" S	3/8" S	N/A			63
AJA4480YAADK					3/8" S	1/4" S	N/A			63
AJA4480YAADC					5/8" S	3/8" S	3.2 lbs			64
AJA4480YAADS					5/8" S	3/8" S	N/A			63
AJA4480YAADJ					5/8" S	3/8" S	3.2 lbs			64
AJA4480YAADP					5/8" S	3/8" S	3.2 lbs			64

\* F = Flare, S = Solder, RF or RS = Rotolock with Flare or Solder Connections, C = Compression Fitting

Factory charge: 20 PSIG Nitrogen – **MUST BE EVACUATED**

Evaporator T,		Ambient Temperatures											
		80°F			90°F			100°F			110°F		
°F	PSIG	BTUH	Watts	Cond T	BTUH	Watts	Cond T	BTUH	Watts	Cond T	BTUH	Watts	Cond T
20	18.4	5305	875	112	4791	878	120	4300	881	128	3829	884	135
25	22.1	5883	946	116	5328	954	123	4796	962	131	4287	970	139
30	26.1	6467	1022	120	5871	1035	127	5298	1047	135	4749	1060	142
35	30.4	7051	1101	124	6413	1119	131	5800	1136	138	---	---	---
40	35.1	7631	1184	127	6950	1207	135	6294	1229	142	---	---	---
45	40.1	8201	1271	131	7550	1298	139	---	---	---	---	---	---
50	45.5	8756	1362	135	7988	1394	142	---	---	---	---	---	---

## 60 Hz Performance

Return gas temp. 65°F, 5°F sub cooling

**Specifications/ Parts:**

<b>Unit Model</b>	<b>AJA4480YAADA</b>
<b>Unit Bill of Material</b>	<b>2G733-09</b>
Refrigeration Range	20° F to 55° F
Design Pressure Low	150
Design Pressure High	450
Nominal Volts-Hz-Ph	115/60/1
Voltage Range	103 to 127
Min. Circuit Ampacity	17.1
Max. Fuse Size (amps)	30
Compressor Model	AJA4492YXA
Comp. Bill of Material	AJ150AT-434-J7
Compressor RLA/LRA	13/69
Overload	8300CRAH22
Relay	8200RVAM19
Run Capacitor	N/A
Start Capacitor	85PS165C77
Fan Motor	810-10097
Fan Motor RLA	.85
Fan Blade	515-10003
Fan Shroud/Guard Combo	707-00005
Condenser	506-10008
Unit Drawing	DGU1971-02
Wiring Diagram	91266-02
Replacement Kit: Relay	K71-14
Replacement Kit: O/L	K90-51
Replacement Kit: St. Cap	K146-18

<b>Unit Model</b>	<b>AJA4480YAADG</b>
<b>Unit Bill of Material</b>	<b>2G733-19</b>
Receiver Tank	510-10000
Liquid Valve	56659
Suction Valve	56660
<b>Unit Model</b>	<b>AJA4480YAADH</b>
<b>Unit Bill of Material</b>	<b>2G733-29</b>
Liquid Valve	56659
Suction Valve	56660
<b>Unit Model</b>	<b>AJA4480YAADK</b>
<b>Unit Bill of Material</b>	<b>2G733-39</b>
Power Cord	85106-22
<b>Unit Model</b>	<b>AJA4480YAADC</b>
<b>Unit Bill of Material</b>	<b>2G733-59</b>
Receiver Tank	510-10000
Liquid Valve	56659
Suction Valve	56660
Power Cord	85106-22
<b>Unit Model</b>	<b>AJA4480YAADS</b>
<b>Unit Bill of Material</b>	<b>2G733-69</b>
Liquid Valve	56659
Suction Valve	56660
Power Cord	85106-22
<b>Unit Model</b>	<b>AJA4480YAADJ</b>
<b>Unit Bill of Material</b>	<b>2G733-79</b>
Receiver Tank	510-10000
Liquid Valve	56659
Suction Valve	56660
Filter Drier	71116
Sight Glass	70084
<b>Unit Model</b>	<b>AJA4480YAADP</b>
<b>Unit Bill of Material</b>	<b>2G733-89</b>
Receiver Tank	510-10000
Liquid Valve	56659
Suction Valve	56660
Power Cord	85106-22
Filter Drier	71116
Sight Glass	70084

## Electrical Diagram Page 3

