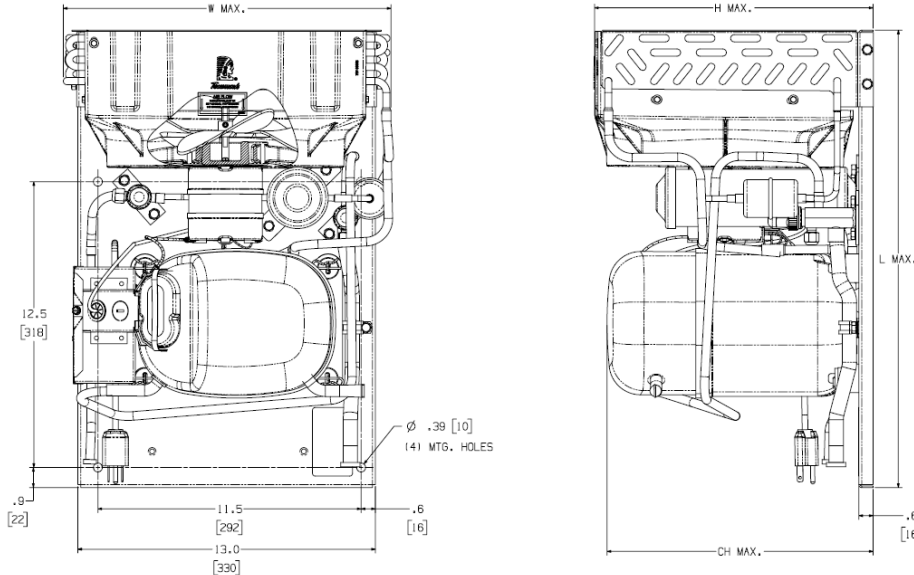




Celseon® Air Cooled Condensing Unit

Model: AJA7455YAAD*
BoM: 2G710-** R-134a 3/4 HP



Model	Dimensions, inches				Line Connection*		Pumpdown	Air	Oil Ch	Gr. Wt.
	L	W	H	CH	Suction	Liquid	90 °F 90%	SCFM	Oz.	Lbs.
AJA7455YAADA	20.0	14.3	12.1	11.6	3/8" S	1/4" S	N/A	230	26	63
AJA7455YAADG					5/8" S	3/8" S	3.2 lbs			64
AJA7455YAADH					5/8" S	3/8" S	N/A			63
AJA7455YAADK					3/8" S	1/4" S	N/A			63
AJA7455YAADC					5/8" S	3/8" S	3.2 lbs			64
AJA7455YAADS					5/8" S	3/8" S	N/A			63
AJA7455YAADJ					5/8" S	3/8" S	3.2 lbs			64
AJA7455YAADP					5/8" S	3/8" S	3.2 lbs			64

* F = Flare, S = Solder, RF or RS = Rotolock with Flare or Solder Connections, C = Compression Fitting
Factory charge: 20 PSIG Nitrogen – **MUST BE EVACUATED**

Evaporator T,		Ambient Temperatures											
		80°F			90°F			100°F			110°F		
°F	PSIG	BTUH	Watts	Cond T	BTUH	Watts	Cond T	BTUH	Watts	Cond T	BTUH	Watts	Cond T
-10	1.9	2755	640	96	2438	634	105	2035	609	113	1651	574	121
-5	4.2	3286	709	99	2913	697	108	2470	677	116	2063	654	124
0	6.5	3831	781	102	3405	769	111	2926	754	119	2492	738	127
5	9.1	4388	858	106	3914	850	115	3401	837	122	2938	825	130
10	11.9	4958	939	110	4439	938	118	3896	929	125	3401	916	133
15	15.0	5542	1024	113	4981	1035	122	4412	1028	129	3882	1010	137
20	18.4	6138	1114	117	5540	1140	125	4947	1135	133	4380	1108	141
25	22.1	6747	1208	121	6116	1253	129	5502	1250	137	---	---	---
30	26.1	7370	1305	125	6709	1375	133	6077	1372	141	---	---	---

60 Hz Performance

Return gas temp 40°F below 20°F evaporator,
and 65°F above 20° evap, 5°F sub cooling

Specifications/ Parts:

Unit Model	AJA7455YAADA
Unit Bill of Material	2G710-09
Refrigeration Range	-10° F to +30° F
Design Pressure Low	150
Design Pressure High	450
Nominal Volts-Hz-Ph	115/60/1
Voltage Range	103 to 127
Min. Circuit Ampacity	13.5
Max. Fuse Size (amps)	20
Compressor Model	AJA7461YXA
Comp. Bill of Material	AJ250AT-435-J7
Compressor RLA/LRA	10.1/68
Overload	8300CSTH33
Relay	8200RVAM18
Run Capacitor	85PR370E36
Start Capacitor	85PS110A15
Fan Motor	810-10097
Fan Motor RLA	.85
Fan Blade	515-10003
Fan Shroud/Guard Combo	707-00005
Condenser	506-10008
Unit Drawing	DGU1971-04
Wiring Diagram	91266-02
Replacement Kit: Relay	K71-13
Replacement Kit: O/L	K90-38
Replacement Kit: St. Cap	K146-04

Unit Model	AJA7455YAADG
Unit Bill of Material	2G710-19
Receiver Tank	510-10000
Liquid Valve	56659
Suction Valve	56660
Unit Model	AJA7455YAADH
Unit Bill of Material	2G710-29
Liquid Valve	56659
Suction Valve	56660
Unit Model	AJA7455YAADK
Unit Bill of Material	2G710-39
Power Cord	85106-22
Unit Model	AJA7455YAADC
Unit Bill of Material	2G710-59
Receiver Tank	510-10000
Liquid Valve	56659
Suction Valve	56660
Power Cord	85106-22
Unit Model	AJA7455YAADS
Unit Bill of Material	2G710-69
Liquid Valve	56659
Suction Valve	56660
Power Cord	85106-22
Unit Model	AJA7455YAADJ
Unit Bill of Material	2G710-79
Receiver Tank	510-10000
Liquid Valve	56659
Suction Valve	56660
Filter Drier	71116
Sight Glass	70084
Unit Model	AJA7455YAADP
Unit Bill of Material	2G710-89
Receiver Tank	510-10000
Liquid Valve	56659
Suction Valve	56660
Power Cord	85106-22
Filter Drier	71116
Sight Glass	70084

Electrical Diagram Page 3

