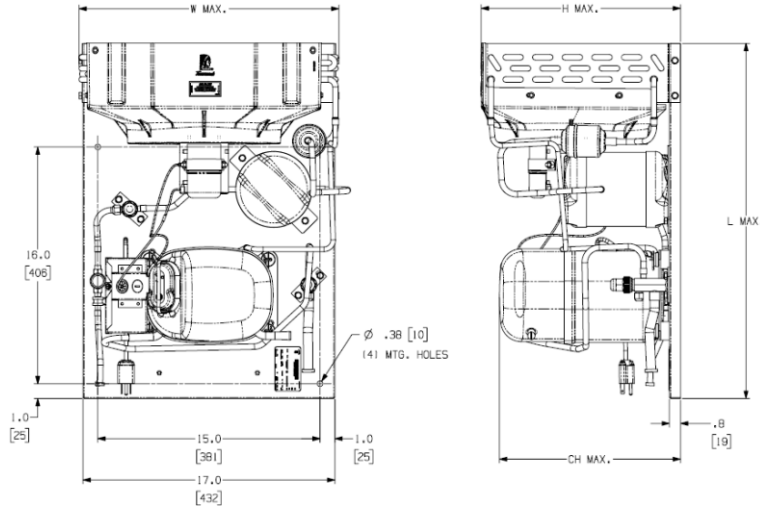




Celseon® Air Cooled Condensing Unit

Model: AJA9486ENAD*
BoM: 2G1002-** R-22 1 HP



Model	Dimensions, inches				Line Connection*		Pumpdown	Air	Oil Ch	Gr. Wt.
	L	W	H	CH	Suction	Liquid	90 °F 90%	SCFM	Oz.	Lbs.
AJA9486ENADA	24.0	17.5	13.4	12.2	3/8" S	3/8" S	N/A	270	22	76
AJA9486ENADG					5/8" S	3/8" S	7.1 lbs			77
AJA9486ENADH					5/8" S	3/8" S	N/A			76
AJA9486ENADK					3/8" S	3/8" S				76
AJA9486ENADC					5/8" S	3/8" S	7.1 lbs			77
AJA9486ENADS					5/8" S	3/8" S	N/A			76
AJA9486ENADJ					5/8" S	3/8" S	7.1 lbs			78
AJA9486ENADP					5/8" S	3/8" S	7.1 lbs			78

* F = Flare, S = Solder, RF or RS = Rotolock with Flare or Solder Connections, C = Compression Fitting
Factory charge: 20 PSIG Nitrogen – **MUST BE EVACUATED**

Evaporator T,		Ambient Temperatures								
		90°F			100°F			110°F		
°F	PSIG	BTUH	Watts	Cond T	BTUH	Watts	Cond T	BTUH	Watts	Cond T
-10	16.5	3600	1010	105	---	---	---	---	---	---
-5	20.0	4300	1090	106	3700	1100	111	---	---	---
0	24.0	5100	1170	108	4500	1190	113	---	---	---
5	28.2	5900	1250	110	5200	1270	116	4700	1300	121
10	32.8	6800	1330	112	6100	1360	118	5500	1390	124
15	37.7	7700	1420	116	6900	1450	120	6300	1480	126
20	43.0	8600	1500	117	7800	1530	123	7100	1570	131
25	48.8	9500	1580	120	8600	1620	125	7900	1670	133
30	54.8	10400	1670	123	9500	1710	129	8800	1760	137
35	61.5	11400	1760	125	10500	1810	133	9700	1860	140
40	68.5	12400	1850	129	11400	1910	136	---	---	---
45	76.0	13400	1950	132	12300	2101	139	---	---	---

60 Hz Performance

Return gas temp 40°F below 20°F evaporator,
and 65°F above 20° evap, 5°F sub cooling

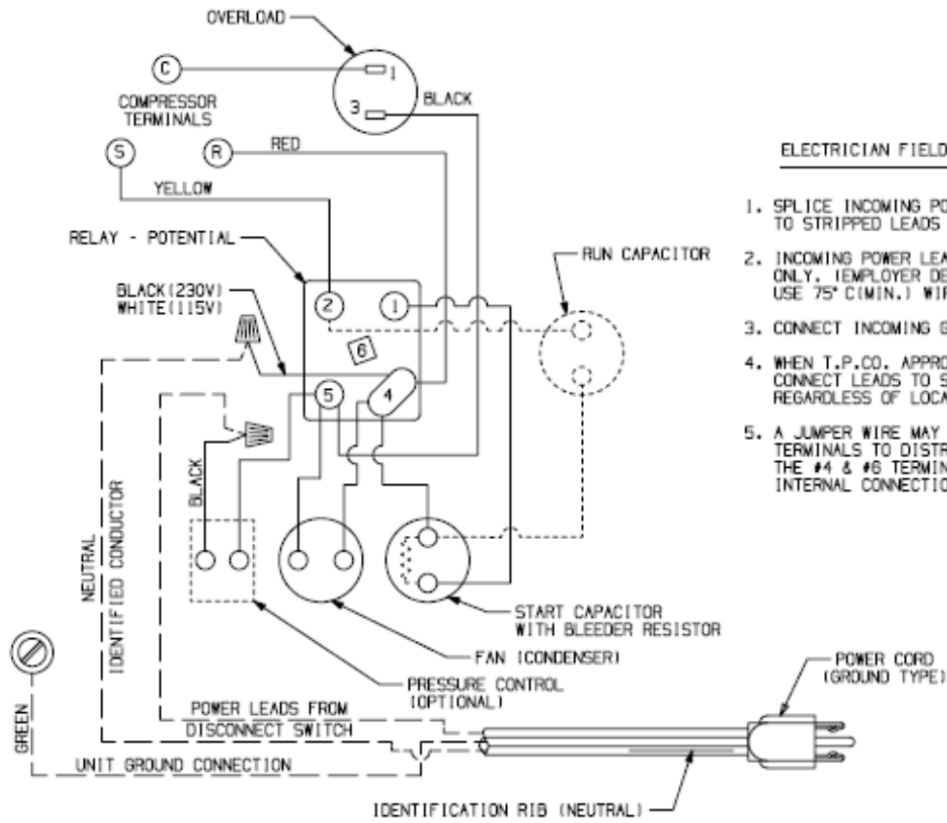
Specifications/ Parts:

Unit Model	AJA9486ENADA
Unit Bill of Material	2G1002-09
Refrigeration Range	-10° F to 45° F
Design Pressure Low	150
Design Pressure High	450
Nominal Volts-Hz-Ph	208-230/60/1
Voltage Range	187 to 254
Min. Circuit Ampacity	10.7
Max. Fuse Size (amps)	15
Compressor Model	AJA9484EXD
Comp. Bill of Material	AJ801ET-446-J7
Compressor RLA/LRA	6.9/54
Overload	8300CTRL49
Relay	8200RVAM25
Run Capacitor	85PR370F20
Start Capacitor	85PS250B87
Fan Motor	810-10041
Fan Motor RLA	.47
Fan Blade	515-10001
Fan Shroud/Guard Combo	707-00002
Condenser	506-00002
Unit Drawing	DGU1971-08
Wiring Diagram	91266-02
Replacement Kit: Relay	K71-16
Replacement Kit: O/L	K90-89
Replacement Kit: St. Cap	K146-09

Unit Model	AJA9486ENADG
Unit Bill of Material	2G1002-19
Receiver Tank	510-10002
Liquid Valve	56659
Suction Valve	56660
Unit Model	AJA9486ENADH
Unit Bill of Material	2G1002-29
Liquid Valve	56659
Suction Valve	56660
Unit Model	AJA9486ENADK
Unit Bill of Material	2G1002-39
Power Cord	85259-7
Unit Model	AJA9486ENADC
Unit Bill of Material	2G1002-59
Receiver Tank	510-10002
Liquid Valve	56659
Suction Valve	56660
Power Cord	85259-7
Unit Model	AJA9486ENADS
Unit Bill of Material	2G1002-69
Liquid Valve	56659
Suction Valve	56660
Power Cord	85259-7
Unit Model	AJA9486ENADJ
Unit Bill of Material	2G1002-79
Receiver Tank	510-10002
Liquid Valve	56659
Suction Valve	56660
Filter Drier	70081
Sight Glass	70084
Unit Model	AJA9486ENADP
Unit Bill of Material	2G1002-89
Receiver Tank	510-10002
Liquid Valve	56659
Suction Valve	56660
Power Cord	85259-7
Filter Drier	70081
Sight Glass	70084

Electrical Diagram Page 3

CHG. B	PART NO. 91266-02
-----------	----------------------



ELECTRICIAN FIELD WIRING AND INSTRUCTIONS

1. SPLICE INCOMING POWER LEADS, FROM DISCONNECT SWITCH, TO STRIPPED LEADS IN THIS ENCLOSURE.
2. INCOMING POWER LEADS MUST BE COPPER CONDUCTORS ONLY. (EMPLOYER DES CONDUCTEURS DE CUIVRE SEULEMENT.) USE 75° C (MIN.) WIRING.
3. CONNECT INCOMING GROUND LEAD TO GREEN SCREW.
4. WHEN T.P.CO. APPROVED ALTERNATE RELAY IS USED, CONNECT LEADS TO SAME NUMBERED TERMINALS, REGARDLESS OF LOCATION.
5. A JUMPER WIRE MAY BE CONNECTED BETWEEN #4 & #6 TERMINALS TO DISTRIBUTE WIRES FOR EASE OF WIRING. THE #4 & #6 TERMINALS ARE WIRING TERMINALS WITH NO INTERNAL CONNECTIONS TO RELAY.