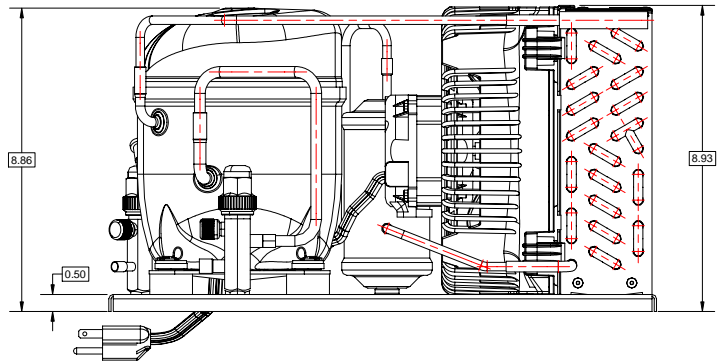
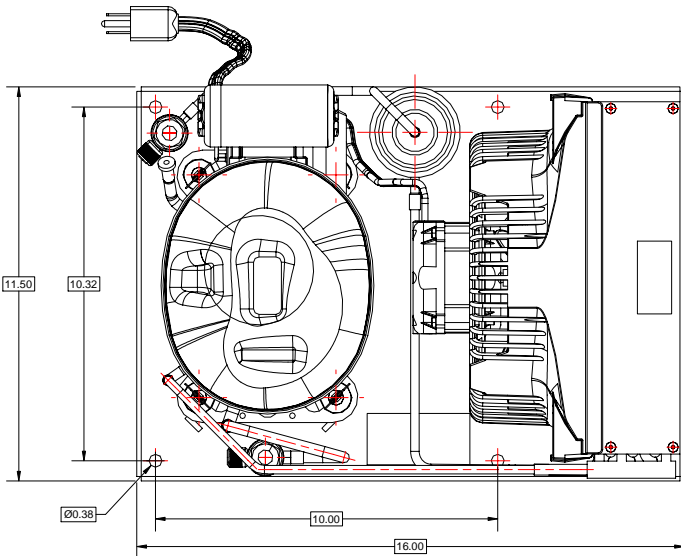
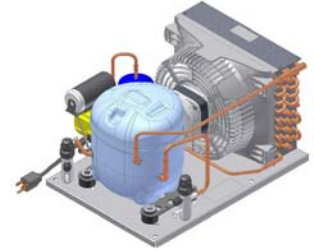




CELSEON[®] LOW PROFILE CONDENSING UNIT



Model	AE2415Z-AA1ASK, -SB, -SC, -SS
BOM	32F328-39S, -49S, -59S, -69S
Air Cooled	1/3 HP
Application	Low Temp
Refrigerant	R404A
Volts-Hz-Ph	115-60-1



Model	Dimensions, inches (mm)			Line Connections		Pumpdown	AirFlow	Oil Ch.	Gross weight
	L	W	H	Suction	Liquid	90% @90°F	CFM	Oz.	Lbs. (kg)
AE2415Z-AA1ASK	16.0 (406)	11.5 (292)	8.9 (226)	5/16" Sweat	1/4" Sweat	n/a	190	9.5	38.1 (17.3)
AE2415Z-AA1ASB						1.57			38.7 (17.3)
AE2415Z-AA1ASC				3/8" Valve Sweat	1/4" Valve Sweat	n/a			39.5 (17.9)
AE2415Z-AA1ASS									38.9 (17.6)

Factory charge 20 PSIG dry air, **MUST BE EVACUATED**

Evaporator		Ambient Temperatures															
		80°F				90°F				100°F				110°F			
T, °F	PSIG	BTUH	Watts	Head	Cond T	BTUH	Watts	Head	Cond T	BTUH	Watts	Head	Cond T	BTUH	Watts	Head	Cond T
-40	4.5	630	270	195	87	550	260	224	97	480	260	256	106	410	250	292	116
-35	7.0	740	280	199	89	650	280	228	98	570	280	261	107	490	280	297	117
-30	9.8	880	300	204	90	770	300	234	100	680	300	266	109	590	300	302	118
-25	12.9	1020	320	210	92	910	320	240	101	800	320	273	111	700	320	309	120
-20	16.2	1190	340	216	94	1060	350	247	103	930	350	280	112	810	350	316	121
-15	19.9	1360	370	223	97	1220	370	254	105	1080	370	288	114	940	380	324	123
-10	23.8	1540	390	231	99	1380	390	262	108	1230	400	296	117	1080	400	333	125
-5	28.1	1730	410	239	101	1550	420	271	110	1380	430	305	119	1220	430	343	128
0	32.8	1930	440	248	104	1730	450	280	113	1540	460	315	121	1360	460	353	130
5	37.9	2120	470	258	107	1910	480	290	115	1710	490	325	124	1500	490	363	132
10	43.3	2330	490	268	109	2090	510	301	118	1870	520	336	126	1650	530	374	134

Performance @ 60 Hz, Return gas 40°F, SubCooling 5°F

Parts/Specifications			
Unit BOM	32F328-39S	Condenser	506-G434
Unit MODEL	AE2415Z-AA1ASK	Fan Guard	116-002P
		Condenser, Fan Guard Kit	K135-02
Refrigerant	R404A	Power Cord	85106-10
Refrigeration RANGE	-40°F to 10°F		
Design Pressure Low	181	Fan Motor	NUT6B09PUN301
Design Pressure High	450	Fan Blade	4VEA010
Volts - HZ - Ph	115V ~ 60HZ	Replacement Fan Motor	9W115
Voltage Range	103.5 - 126.5	Fan Motor, Blade, Guard assy	GFBG-109
Min. Circuit Ampacity	6.8175	Fan Motor RLA	0.58
Max. Fuse Size	15		
Compressor MODEL	AE2415Z-AA1A	Unit BOM	32F328-49S
Compressor BOM	AE-1157-E	Unit MODEL	AE2415Z-AA1ASB
Compressor LRA	32	Liquid Receiver	51085-1
Compressor RLA	4.99		
		Unit BOM	32F328-59S
OverLoad	T90731-24-ZP	Unit MODEL	AE2415Z-AA1ASC
Replacement Kit - O/L	K90-59	Liquid Receiver	51085-1
Relay	820-10087	Liquid Valve	56605
Replacement Kit - Relay	K71-39	Suction Valve	56604
Run Capacitor			
Run Capacitor Rating		Unit BOM	32F328-69S
Start Capacitor	85PS165D89	Unit MODEL	AE2415Z-AA1ASS
Start Capacitor Rating	270-324 MFD 165V	Liquid Valve	56605
		Suction Valve	56604
Unit drawing DGU	DGU1896-G103		
Electrical Diagram	DEAE-10		

