



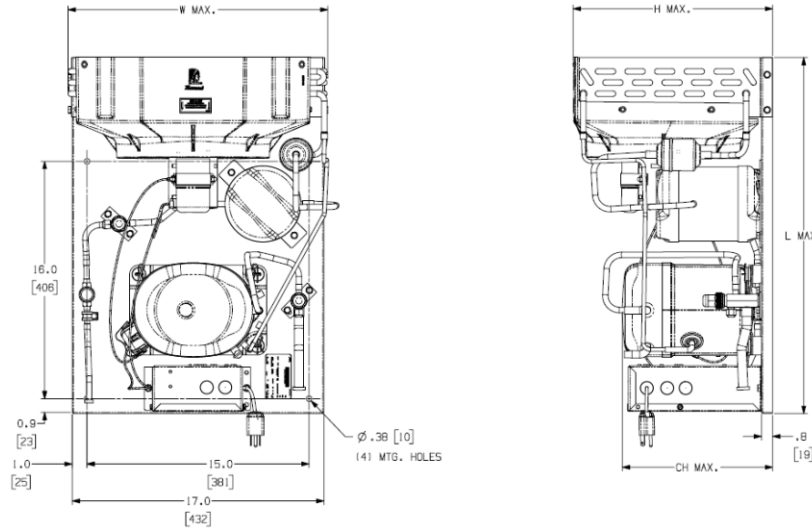
Celseon® Air Cooled Condensing Unit

Model: AKA9463ZAAD*

BoM: 2G717-**

R-404a

3/4 HP



Model	Dimensions, inches				Line Connection*		Pumpdown	Air	Oil Ch	Gr. Wt.
	L	W	H	CH	Suction	Liquid	90 °F 90%	SCFM	Oz.	Lbs.
AKA9463ZAADA	24.0	17.5	13.4	10.2	3/8" S	3/8" S	N/A	270	17	66
AKA9463ZAADG					5/8" S	3/8" S	6.1 lbs			67
AKA9463ZAADH					5/8" S	3/8" S	N/A			66
AKA9463ZAADK					3/8" S	3/8" S				66
AKA9463ZAADC					5/8" S	3/8" S	6.1 lbs			67
AKA9463ZAADS					5/8" S	3/8" S	N/A			66
AKA9463ZAADJ					5/8" S	3/8" S	6.1 lbs			68
AKA9463ZAADP					5/8" S	3/8" S	6.1 lbs			68

* F = Flare, S = Solder, RF or RS = Rotolock with Flare or Solder Connections, C = Compression Fitting
Factory charge: 20 PSIG Nitrogen – **MUST BE EVACUATED**

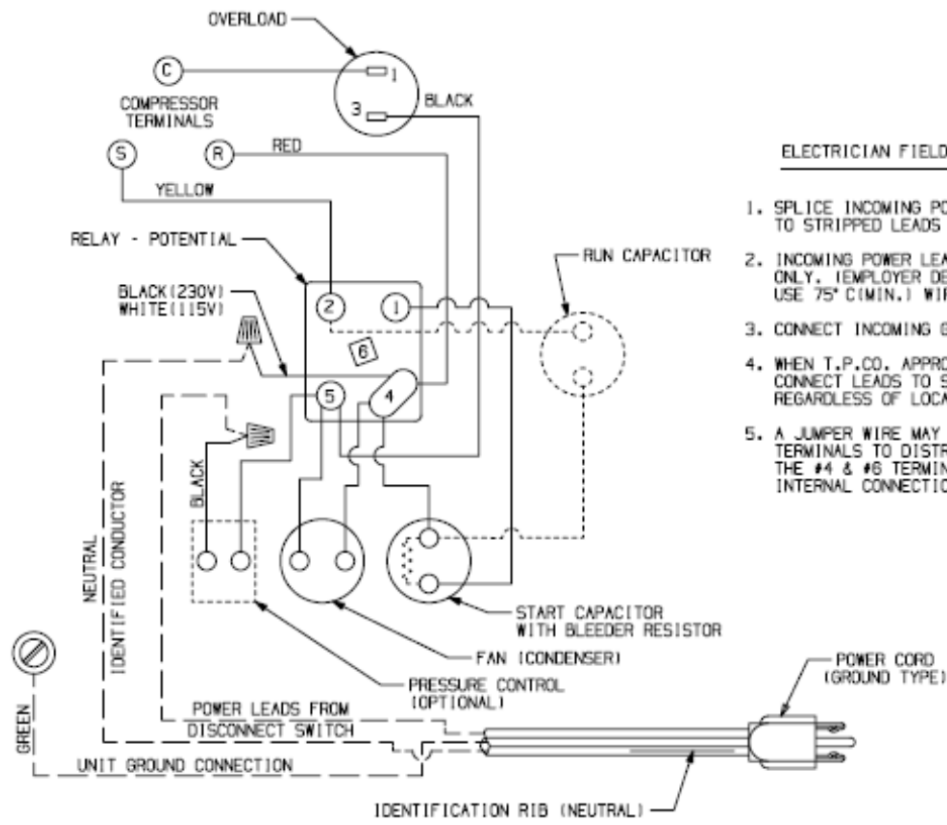
Evaporator T,		Ambient Temperatures											
		80°F			90°F			100°F			110°F		
°F	PSIG	BTUH	Watts	Cond T	BTUH	Watts	Cond T	BTUH	Watts	Cond T	BTUH	Watts	Cond T
0	33.4	4866	1100	104	4285	1104	112	3687	1096	120	3135	1078	128
5	39.0	5376	1168	107	4750	1176	115	4113	1178	123	3553	1170	131
10	43.9	5923	1239	109	5251	1252	118	4568	1262	125	3959	1261	133
15	49.8	6508	1315	112	5788	1332	120	5052	1347	128	4354	1351	136
20	56.1	7130	1394	115	6360	1416	123	5565	1435	131	4737	1441	138
25	62.9	7789	1477	119	6969	1505	126	6107	1524	133	5108	1529	141
30	70.2	8485	1563	122	7613	1597	129	6679	1615	136	5467	1617	143
35	77.9	9218	1654	125	8293	1694	132	7279	1708	139	---	---	---
40	87.0	9988	1748	129	9008	1795	135	7908	1803	143	---	---	---
45	95.1	10795	1846	132	9759	1900	139	---	---	---	---	---	---

60 Hz Performance

Return gas temp 40°F below 20°F evaporator,
and 65°F above 20° evap, 5°F sub cooling

Electrical Diagram Page 3

CHG. B	PART NO. 91268-02
-----------	----------------------



ELECTRICIAN FIELD WIRING AND INSTRUCTIONS

1. SPLICE INCOMING POWER LEADS, FROM DISCONNECT SWITCH, TO STRIPPED LEADS IN THIS ENCLOSURE.
2. INCOMING POWER LEADS MUST BE COPPER CONDUCTORS ONLY. (EMPLOYER DES CONDUCTEURS DE CUIVRE SEULEMENT.) USE 75° C (MIN.) WIRING.
3. CONNECT INCOMING GROUND LEAD TO GREEN SCREW.
4. WHEN T.P.CO. APPROVED ALTERNATE RELAY IS USED, CONNECT LEADS TO SAME NUMBERED TERMINALS, REGARDLESS OF LOCATION.
5. A JUMPER WIRE MAY BE CONNECTED BETWEEN #4 & #6 TERMINALS TO DISTRIBUTE WIRES FOR EASE OF WIRING. THE #4 & #6 TERMINALS ARE WIRING TERMINALS WITH NO INTERNAL CONNECTIONS TO RELAY.