



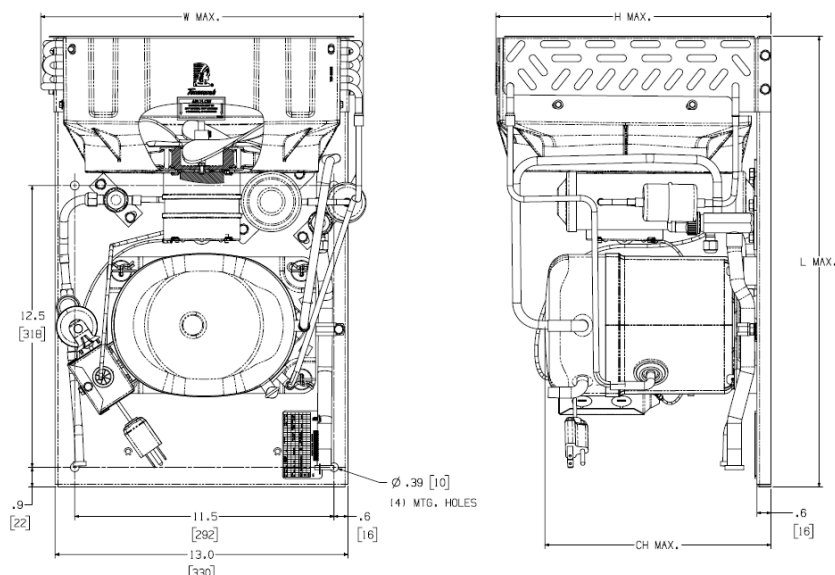
Celseon® Air Cooled Condensing Unit

Model: AKA4472YNAD*

BoM: 2G732-**

R-134a

1/2 HP



Model	Dimensions, inches				Line Connection*		Pumpdown	Air	Oil Ch	Gr. Wt.
	L	W	H	CH	Suction	Liquid	90 °F 90%	SCFM	Oz.	Lbs.
AKA4472YNADA	20.0	14.3	12.1	10.1	3/8" S	1/4" S	N/A	230	17	53
AKA4472YNADG					5/8" S	3/8" S	3.2 lbs			54
AKA4472YNADH					5/8" S	3/8" S	N/A			53
AKA4472YNADK					3/8" S	1/4" S				53
AKA4472YNADC					5/8" S	3/8" S	3.2 lbs			54
AKA4472YNADS					5/8" S	3/8" S	N/A			53
AKA4472YNADJ					5/8" S	3/8" S	3.2 lbs			54
AKA4472YNADP					5/8" S	3/8" S	3.2 lbs			54

* F = Flare, S = Solder, RF or RS = Rotolock with Flare or Solder Connections, C = Compression Fitting

Factory charge: 20 PSIG Nitrogen – **MUST BE EVACUATED**

Evaporator T,		Ambient Temperatures											
		80°F			90°F			100°F			110°F		
°F	PSIG	BTUH	Watts	Cond T	BTUH	Watts	Cond T	BTUH	Watts	Cond T	BTUH	Watts	Cond T
20	18.4	4913	790	105	4426	788	114	3931	795	122	3469	792	131
25	22.1	5477	846	108	4959	857	117	4423	863	123	3935	862	133
30	26.1	6057	905	112	5501	928	120	4926	935	125	4396	938	136
35	30.4	6655	968	115	6054	1000	124	5439	1011	128	4850	1020	140
40	35.1	7269	1035	118	6616	1073	127	5963	1091	133	5299	1107	143
45	40.1	7899	1105	122	7187	1148	130	6497	1175	140	---	---	---
50	45.5	8546	1179	125	7769	1224	133	---	---	---	---	---	---
55	51.3	9210	1257	129	8361	1301	137	---	---	---	---	---	---

60 Hz Performance

Return gas temp. 65°F, 5°F sub cooling

Specifications/ Parts:

Unit Model	AKA4472YNADA
Unit Bill of Material	2G732-09
Refrigeration Range	20° F to 55° F
Design Pressure Low	150
Design Pressure High	450
Nominal Volts-Hz-Ph	208-230/60/1
Voltage Range	187 to 254
Min. Circuit Ampacity	7.5
Max. Fuse Size (amps)	15
Compressor Model	AKA4476YXD
Comp. Bill of Material	AK169ET-037-J7
Compressor RLA/LRA	5.7/27.4
Overload	8300MRAG56
Relay	8200EMBJ90
Run Capacitor	N/A
Start Capacitor	85PS250D10
Fan Motor	810-10096
Fan Motor RLA	.4
Fan Blade	515-10003
Fan Shroud/Guard Combo	707-00005
Condenser	506-10008
Unit Drawing	DGU1970-01
Wiring Diagram	91266-01
Replacement Kit: Relay	K71-22
Replacement Kit: O/L	K90-86
Replacement Kit: St. Cap	K146-37

Unit Model	AKA4472YNADG
Unit Bill of Material	2G732-19
Receiver Tank	510-10000
Liquid Valve	56659
Suction Valve	56660
Unit Model	AKA4472YNADH
Unit Bill of Material	2G732-29
Liquid Valve	56659
Suction Valve	56660
Unit Model	AKA4472YNADK
Unit Bill of Material	2G732-39
Power Cord	85259-5
Unit Model	AKA4472YNADC
Unit Bill of Material	2G732-59
Receiver Tank	510-10000
Liquid Valve	56659
Suction Valve	56660
Power Cord	85259-5
Unit Model	AKA4472YNADS
Unit Bill of Material	2G732-69
Liquid Valve	56659
Suction Valve	56660
Power Cord	85259-5
Unit Model	AKA4472YNADJ
Unit Bill of Material	2G732-79
Receiver Tank	510-10000
Liquid Valve	56659
Suction Valve	56660
Filter Drier	71116
Sight Glass	70084
Unit Model	AKA4472YNADP
Unit Bill of Material	2G732-89
Receiver Tank	510-10000
Liquid Valve	56659
Suction Valve	56660
Power Cord	85259-5
Filter Drier	71116
Sight Glass	70084

Electrical Diagram Page 3

