

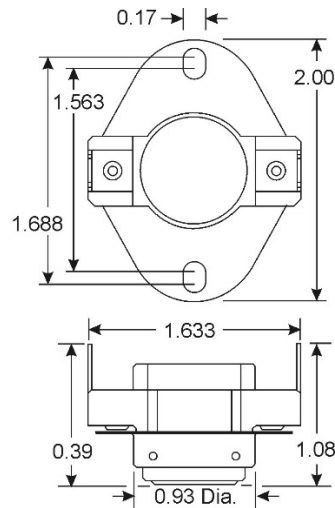
# L-Series Snap-Action Temperature Controls

The L-Series style temperature controls have a bi-metal disc that senses the temperature and quickly separates the contacts. This results in long life characteristics at loads up to 25 amps at 240 VAC. L-Series switches are single pole single throw 60T11 style (3/4") with auto-reset. These switches are designed to open on temperature rise and are enclosed and provides greater protection than the exposed construction.

Part No.	°Diff.	Open °F	Close °F
L120	10	120	110
L125	10	125	115
L130	15	130	115
L135	15	135	120
L140	20	140	120
L145	20	145	125
L150	20	150	130
L155	20	155	135
L160	20	160	140
L165	20	165	145
L170	20	170	150
L175	20	175	155
L180-20	20	180	160
L180-40	40	180	140
L190	40	190	150
L200	40	200	160
L205	40	205	165
L225	40	225	185
L240	40	240	200
L250	40	250	210
L260	40	260	220
L270	40	270	230
L290	40	290	250
L300	40	300	260
L320	40	310	270
L340	40	340	300



Air Stream Mounting



Contact Arrangement	FLA	LRA	Pilot Duty VA	Resistive Amps	Voltage AC
1 & 3 SPST	10	60	125	25	120
1 & 3 SPST	5	30	125	25	240