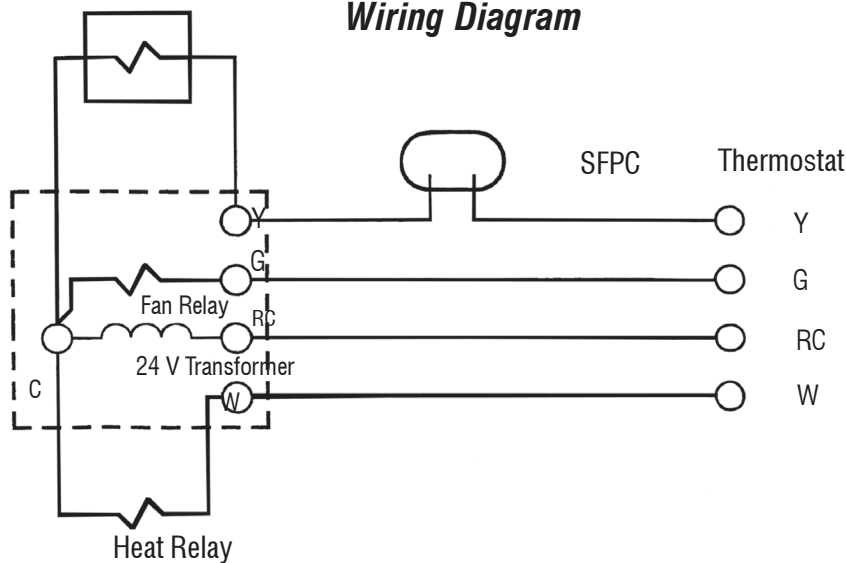


SFPC Freeze Protection Control

PRODUCT DATA

The SUPCO Freeze Protection Control, Model SFPC, is a low cost control designed to protect the air conditioning coil from freezing. The SFPC is installed by simply snapping it onto the suction line just outside the evaporator coil. When the SFPC senses temperature at 38 °F it breaks the circuit to the compressor relay, preventing a freeze up. The SFPC then remakes the compressor circuit at 48 °F allowing ample time for the compressor to be off. This differential prevents any short cycling. During the period that the compressor is off the fan is still running, using the cold coil to provide air conditioning.

Wiring Diagram



SEALED UNIT PARTS CO., INC.

P.O. Box 21, 2230 Landmark Place, Allenwood, N.J. 08720
 (732)223-6644 • Fax (732)223-1617
 www.supco.com • info@supco.com

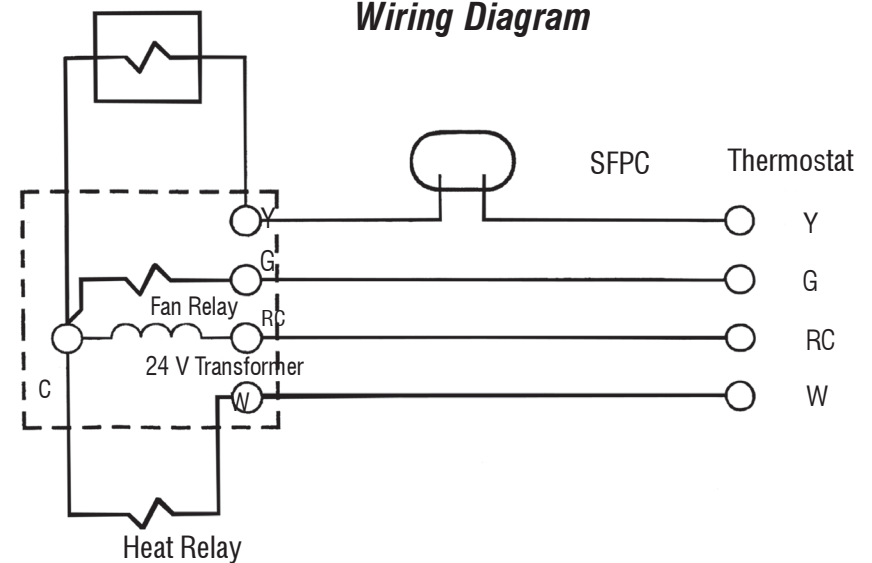
P/N 18774

SFPC Freeze Protection Control

PRODUCT DATA

The SUPCO Freeze Protection Control, Model SFPC, is a low cost control designed to protect the air conditioning coil from freezing. The SFPC is installed by simply snapping it onto the suction line just outside the evaporator coil. When the SFPC senses temperature at 38 °F it breaks the circuit to the compressor relay, preventing a freeze up. The SFPC then remakes the compressor circuit at 48 °F allowing ample time for the compressor to be off. This differential prevents any short cycling. During the period that the compressor is off the fan is still running, using the cold coil to provide air conditioning.

Wiring Diagram



SEALED UNIT PARTS CO., INC.

P.O. Box 21, 2230 Landmark Place, Allenwood, N.J. 08720
 (732)223-6644 • Fax (732)223-1617
 www.supco.com • info@supco.com

P/N 18774