

# LD-Series Snap-Action Temperature Controls

The LD-Series style temperature controls have a bi-metal disc that senses the temperature and quickly separates the contacts. This results in long life characteristics at loads up to 25 amps at 240 VAC. LD-Series switches are single pole double throw 60T11 style (3/4") with auto-reset. These switches are designed to open on temperature rise and are enclosed and provides greater protection than the exposed construction.

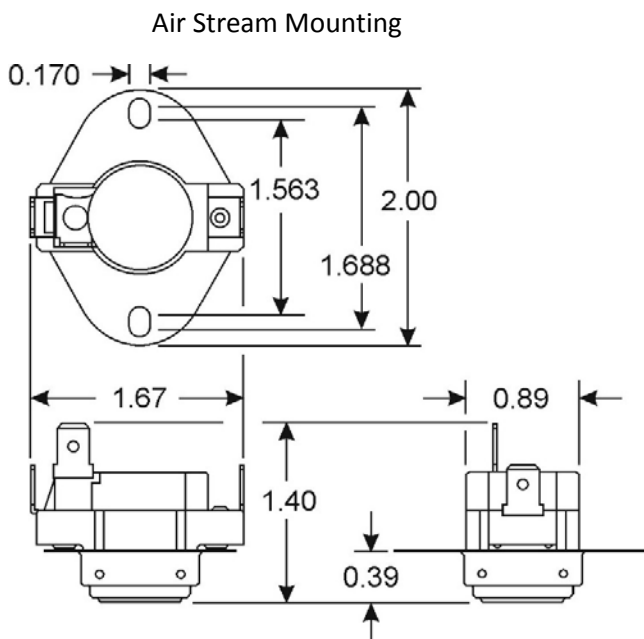
Caution – For SPDT circuits, a load must be applied to terminal 2 and/or 3 to avoid a possible short circuit.

Part No.	°Diff.	Open °F	Close °F
LD120	15	120	105
LD135	15	135	120
LD140	20	140	120
LD145	20	145	125
LD155	20	155	135
LD170	20	170	150
LD200	40	200	160
LD225	40	225	185
LD270	40	270	230



Contact Arrangement	FLA	LRA	Pilot Duty VA	Resistive Amps	Voltage AC
1 & 3 SPDT	10	60	125	25	120
1 & 3 SPDT	5	30	125	25	240
1 & 2 SPDT	5.8	34.8	-	10	120*
1 & 2 SPDT	2.9	17.4	-	10	240*

\*6000 Cycles



800-333-9125  
SUPCO.COM

