

# REPAIR PARTS

## ASX/GSX/VSX13 (Supplement) Remote Condensing Unit

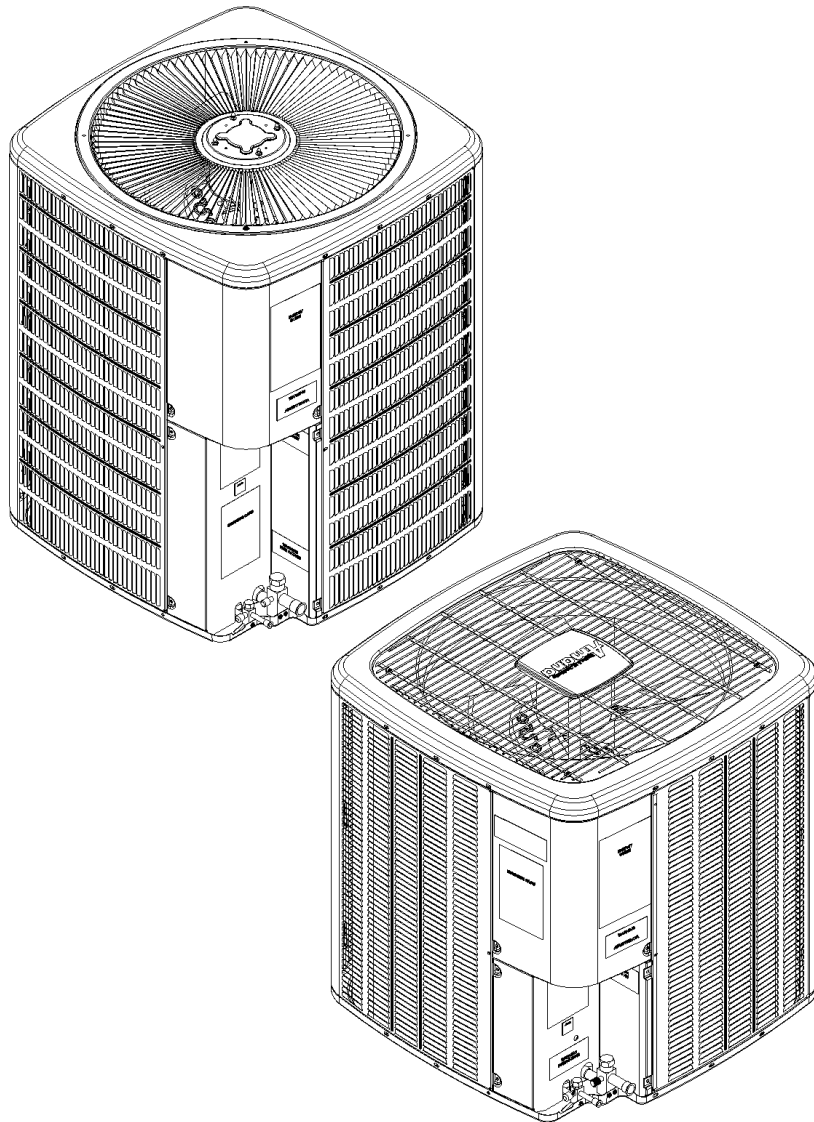
ASX130611AA

GSX130611AA

GSX130613AA

GSX130614AA

VSX130611AA



This manual is to be used by qualified technicians only.

This manual replaces RP-741.

© 2012-2013 Goodman Manufacturing Company, L.P. ♦ 5151 San Felipe, Suite 500 ♦ Houston, TX 77056

# Important Information

---

## Index

Functional Parts List .....	3
Illustration and Parts .....	4 - 9

*Views shown are for parts illustrations only, not servicing procedures.*

Supplement to the current A/GSX13060 models.

Rev A: Addition of VSX130611AA model using base model GSX130611 with Bahama Biege colored parts.

### Text Codes:

AR - As Required

NA - Not Available

NS - Not Shown

00000000 - See Note

QTY - Quantity Example (QTY 3) (If Quantity not shown, Quantity = 1)

M - Model Example (M1) (If M Code not shown, then part is used on all Models)

### Expanded Model Nomenclature:

Example M1 - Model#1 M2 - Model#2 M3 - Model#3
---

Goodman Manufacturing Company, L.P. is not responsible for personal injury or property damage resulting from improper service. Review all service information before beginning repairs.

Warranty service must be performed by an authorized technician, using authorized factory parts. If service is required after the warranty expires, Goodman Manufacturing Company, L.P. also recommends contacting an authorized technician and using authorized factory parts.

Goodman Manufacturing Company, L.P. reserves the right to discontinue, or change at any time, specifications or designs without notice or without incurring obligations.

For assistance within the U.S.A. contact:  
Consumer Affairs Department  
Goodman Manufacturing Company, L.P.  
7401 Security Way  
Houston, Texas 77040  
877-254-4729-Telephone  
713-863-2382-Facsimile

For assistance outside the U.S.A. contact:  
International Division  
Goodman Manufacturing Company, L.P.  
7401 Security Way  
Houston, Texas 77040  
713-861-2500-Telephone  
713-863-2382-Facsimile

# Functional Parts

## Part

## No: Description:

---

B12825171	3/8" SERVICE VALVE
CAP050700440RT	CAP, 5/70 MFD/440V/DUAL RD (M1, M2, M5)
CAP050000370VA	CAPACITOR 5/370V (M3, M4)
ZP51K5ETF5130	COMP,51000,208/230/60/3 (M3)
ZP51K5EPFV130	COMPRESSOR 51000, 208/230/60/1 (M1, M2, M5)
ZP51K5ETFD130	COMPRESSOR 51000, 460/60/3 (M4)
0131M00022	COND MOTOR 1/4 HP, 8 PL, 460V (M4)
0131M00061	COND MOTOR, 1/4HP, 1SP, 8PL (M1, M2, M3, M5)
CONT3P025024V	CONTACTOR 25 AMP, 3P, 24V (M3, M4)
CONT1P030024V	CONTACTOR 30 AMP, 1P, 24V (M1, M2, M5)
571006600	CoreSense Module (M1)
10625738	FAN BLADE 26" ALUM CCW
0151R00033	VALVE, BASE 7/8" OPEN LEFT

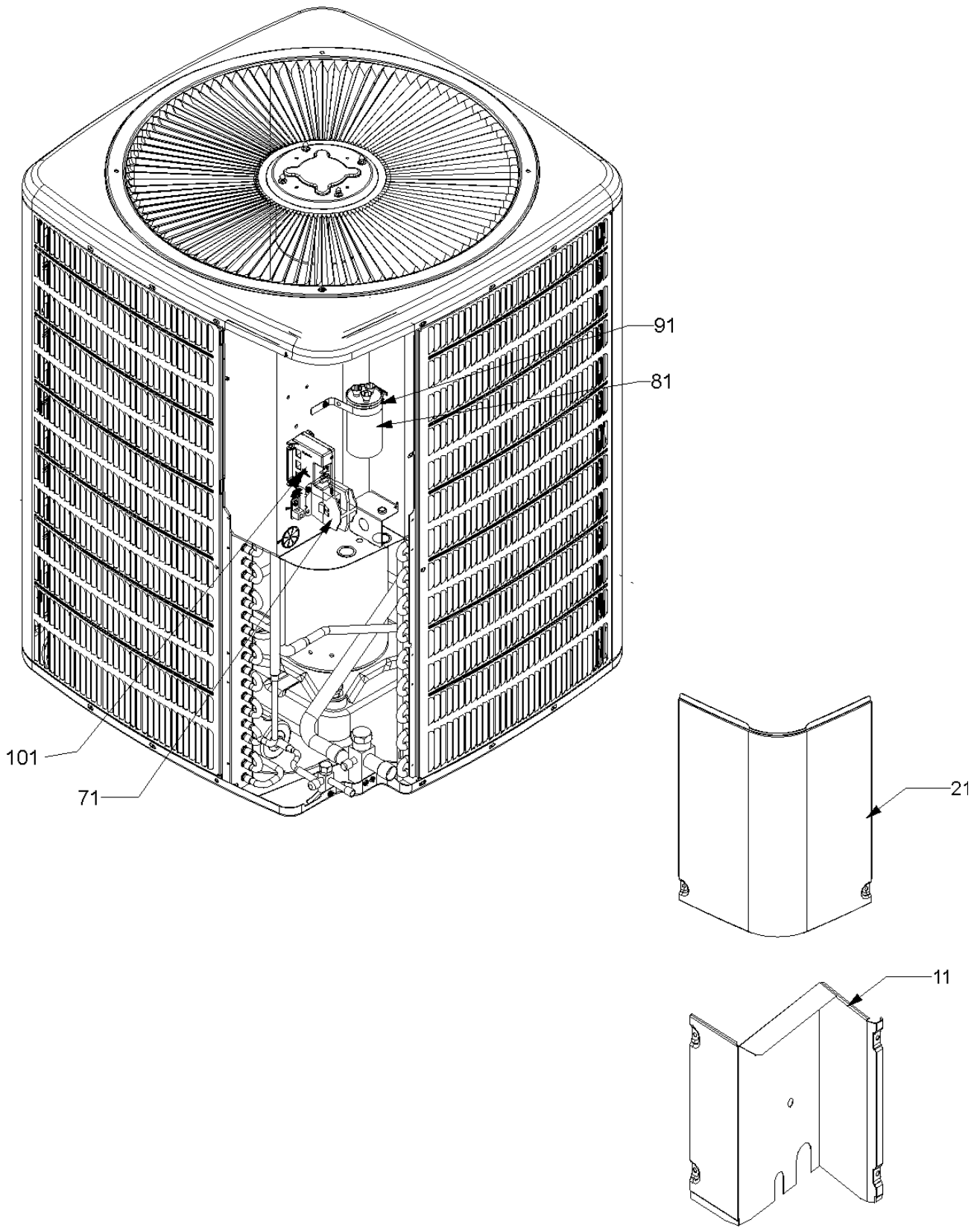
### SPECIAL PARTS

0161R00008P	AMANA LOGO CAP (M1)
0161R00010P	AMANA NAMEPLATE (M1)
B1789886	FLOW CHECK PISTON KIT
IO-258Q	INSTRUC, INSTALL
0161R00009P	NAMEPLATE (M2, M3, M4)
PWCACHPPG	WARRANTY-PRODUCT (M2, M3, M4, M5)
PWAACHPPC	WARRANTY-PRODUCT (M1)

### Expanded Model Nomenclature

M1 - ASX130611AA
M2 - GSX130611AA
M3 - GSX130613AA
M4 - GSX130614AA
M5 - VSX130611AA

# Control Cover / Control Box



# Control Cover / Control Box

Ref. Part No: No:	Description:	Ref. Part No: No:	Description:
-------------------	--------------	-------------------	--------------

---

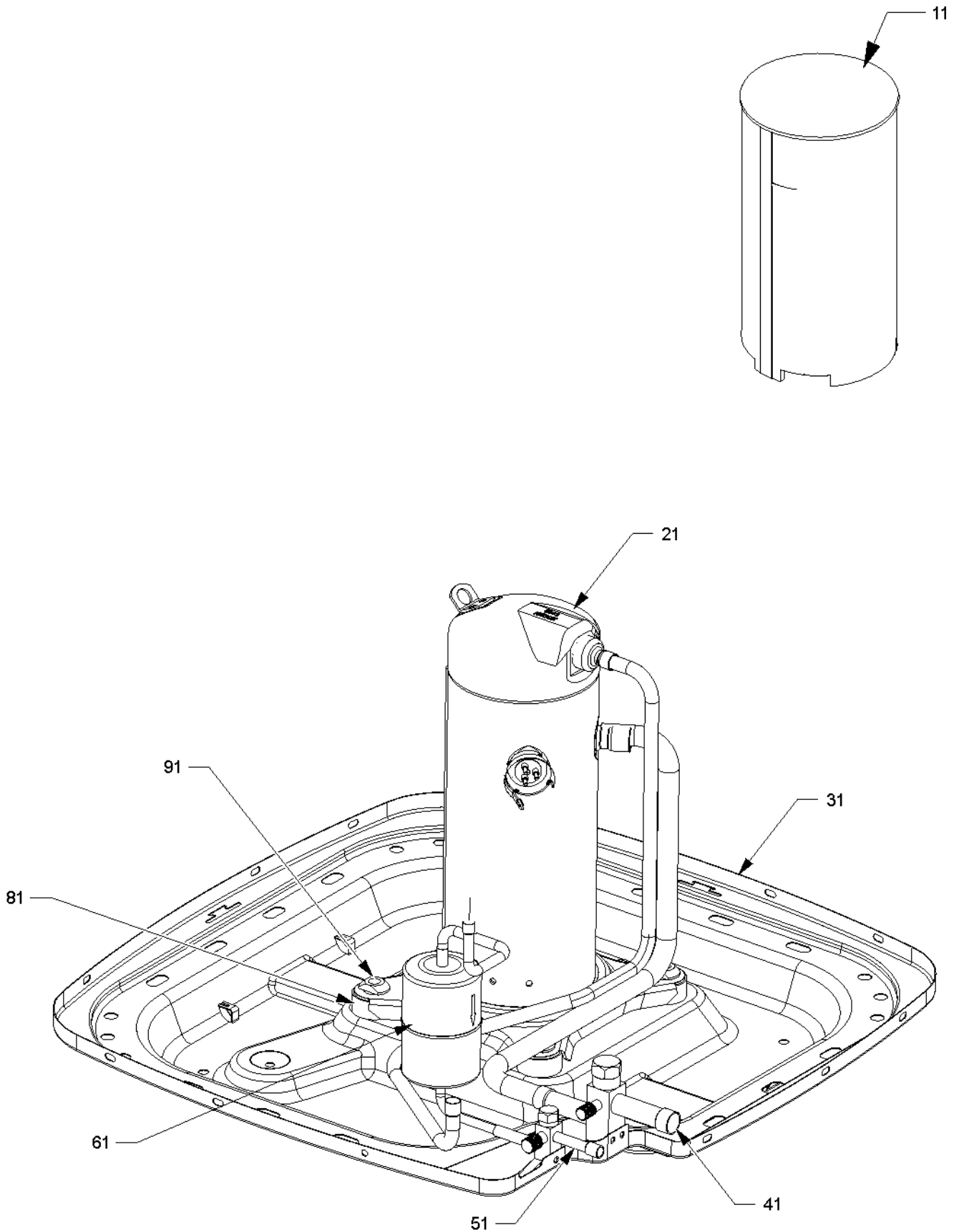
*Image 1:*

11	0121R00319PBB	PANEL, LOWER ACCESS PNT (M5)
11	0121R00319PDG	PANEL, LOWER ACCESS PNT (M1, M2, M3, M4)
21	0121R00053PBB	CONTROL COVER (M5)
21	0121R00053PDG	CONTROL COVER (M1, M2, M3, M4)
71	CONT3P025024V	CONTACTOR 25 AMP, 3P, 24V (M3, M4)
71	CONT1P030024V	CONTACTOR 30 AMP, 1P, 24V (M1, M2, M5)
81	CAP050700440RT	CAP, 5/70 MFD/440V/DUAL RD (M1, M2, M5)
81	CAP050000370VA	CAPACITOR 5/370V (M3, M4)
91	4400065	CAPACITOR STRAP
101	571006600	CoreSense Module (M1)

Expanded Model Nomenclature

M1 - ASX130611AA
M2 - GSX130611AA
M3 - GSX130613AA
M4 - GSX130614AA
M5 - VSX130611AA

# Compressor / Tubing Assy



# Compressor / Tubing Assy

Ref. Part No: No:	Description:	Ref. Part No: No:	Description:
-------------------	--------------	-------------------	--------------

---

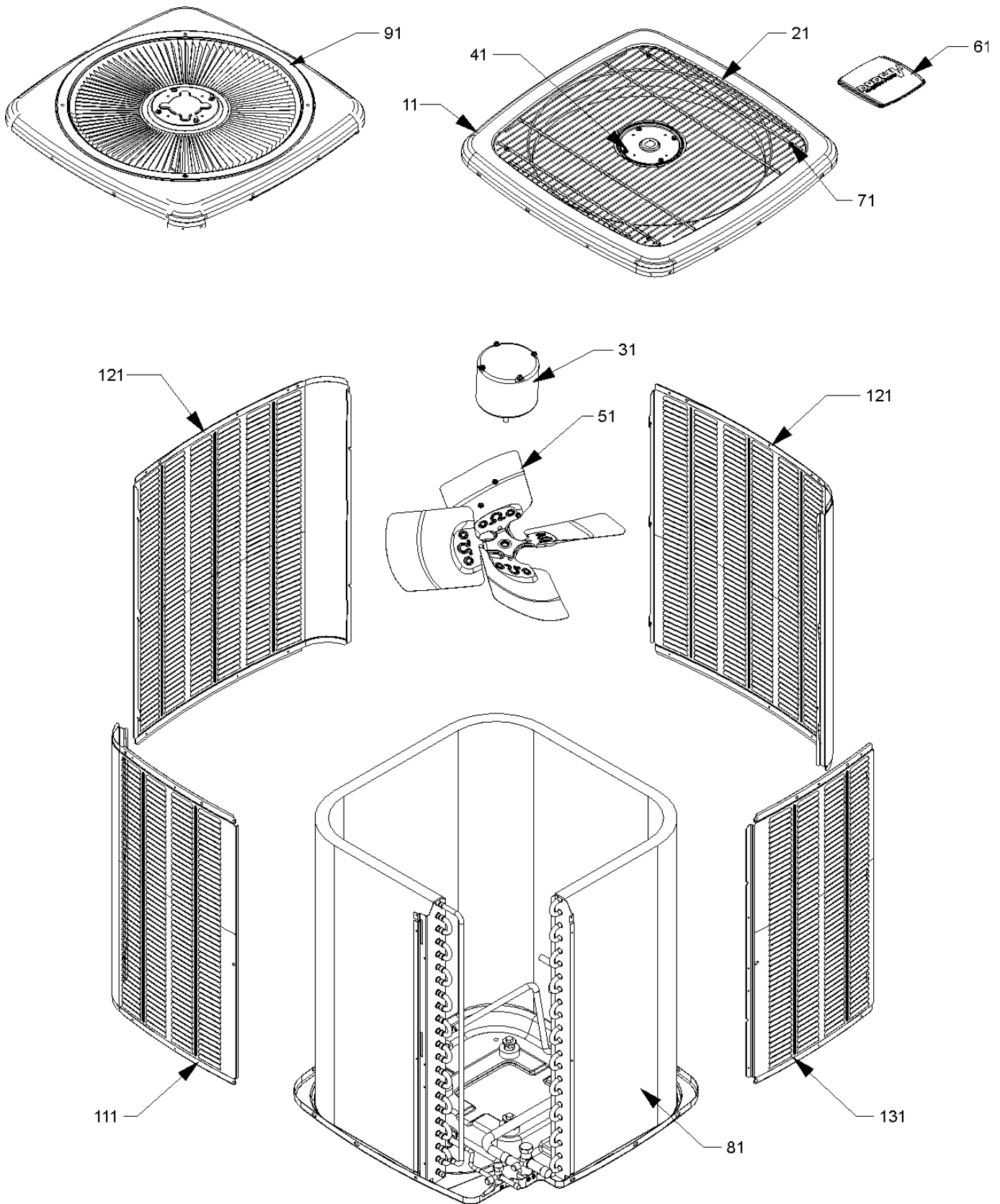
*Image 1:*

11	B1488806	COMPRESSOR SOUND BLANKET (M1)
31	0151R00033	VALVE, BASE 7/8" OPEN LEFT
41	B12825171	3/8" SERVICE VALVE
51	ZP51K5ETF5130	COMP,51000,208/230/60/3 (M3)
51	ZP51K5EPFV130	COMPRESSOR 51000, 208/230/60/1 (M1, M2, M5)
51	ZP51K5ETFD130	COMPRESSOR 51000, 460/60/3 (M4)
71	M0221641	TF SHOULDER SCREW (QTY 4)
81	B1339533	COMPRESSOR GROMMET (QTY 4)
131	0162R00009	FILTER DRIER
141	0121R00007PDG	BASE PAN 35"
NS	0159R00002P	COMPRESSOR SCROLL HARNESS (M1, M2, M5)
NS	0159R00009	COMPRESSOR SCROLL HARNESS (M3, M4)
NS	B1789886	FLOW CHECK PISTON KIT

Expanded Model Nomenclature

M1 - ASX130611AA
M2 - GSX130611AA
M3 - GSX130613AA
M4 - GSX130614AA
M5 - VSX130611AA

# Cabinet Top / Side Panels





# Cabinet Top / Side Panels

Ref. Part No:	Ref. Part No:	Description:	Description:
---------------	---------------	--------------	--------------

Image 1:

11	0121R00269PBB	PANEL, TOP 35" PNT (M5)
11	0121R00269PDG	PANEL, TOP 35" PNT (M2, M3, M4)
11	0121R00013PDG	VENTURI TOP PANEL 35" (M1)
21	0152R00012	GRILLE, WIRE 35" TOP (M1)
31	0131M00022	COND MOTOR 1/4 HP, 8 PL, 460V (M4)
31	0131M00061	COND MOTOR, 1/4HP, 1SP, 8PL (M1, M2, M3, M5)
41	0163M00006P	ACORN NUT 5/16 HEX BLACK (M2, M3, M4, M5)
41	M0280801	HEX NUT (M1)
51	10625738	FAN BLADE 26" ALUM CCW
61	0161R00008P	AMANA LOGO CAP (M1)
71	0163M00003P	SCREW #10 X 1/2, A, SLOT, SR, BLACK (QTY 4)
81	0201R00311	COND COIL TUBING ASSY
91	0161R00007P	VENTURI RING 35" (M2, M3, M4, M5)
111	0121R00228PBBB	PANEL 1, BENT LOUVER 35, 5MM [LT OF CNTL PNL] (M5)
111	0121R00228PDGB	PANEL 1, LOUVER 35, 5MM, PNT [LT OF CNTL PNL] (M2, M3, M4)
111	0121R00239PLGB	PANEL 1, LOUVER 35, 5MM, PNT [LT OF CNTL PNL] (M1)
121	0121R00231PBBB	PANEL 2, BENT LOUVER 35, 5MM (M5)
121	0121R00231PDGB	PANEL 2, LOUVER 35, 5MM, PNT (M2, M3, M4)
121	0121R00243PLGB	PANEL 2, LOUVER 35, 5MM, PNT (M1)
131	0121R00234PBB	PANEL 3, LOUVER 35, 5MM, PNT [RT OF CNTL PNL] (M5)
131	0121R00234PDG	PANEL 3, LOUVER 35, 5MM, PNT [RT OF CNTL PNL] (M2, M3, M4)
131	0121R00247PLG	PANEL 3, LOUVER 35, 5MM, PNT [RT OF CNTL PNL] (M1)
NS	0161R00010P	AMANA NAMEPLATE (M1)
NS	0161R00004P	CONDUIT
NS	0161R00009P	NAMEPLATE (M2, M3, M4)

Expanded Model Nomenclature

M1 - ASX130611AA
M2 - GSX130611AA
M3 - GSX130613AA
M4 - GSX130614AA
M5 - VSX130611AA