

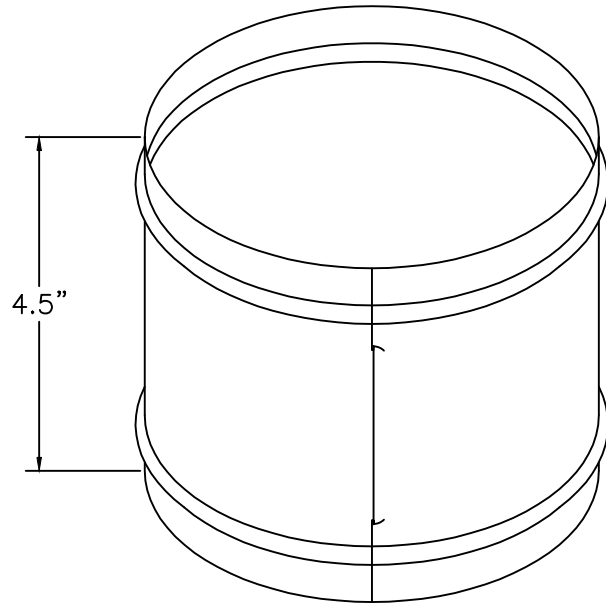


STANDARD CONSTRUCTION

MATERIAL:
26 GAUGE ASTM A-653 HOT-DIPPED GALVANIZED STEEL

STANDARD SIZES:

MODEL	DIAMETER	BOX QTY
DC4	4"	25
DC5	5"	25
DC6	6"	25
DC7	7"	25
DC8	8"	25
DC10	10"	25
DC12	12"	25
DC14	14"	25
DC16	16"	25
DC18	18"	25



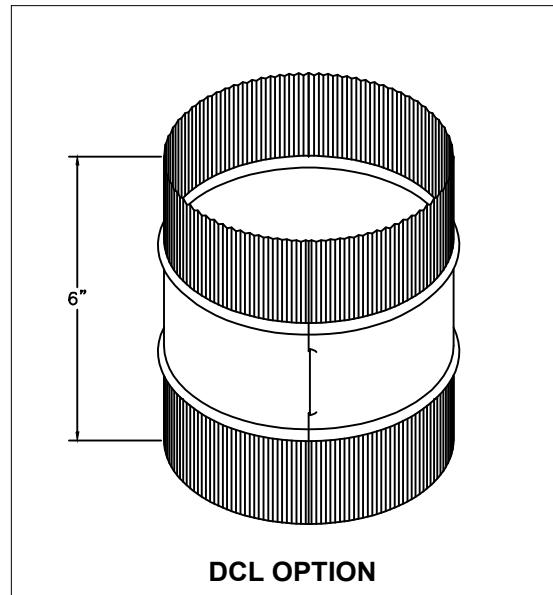
FEATURES

26 GAUGE GALVANIZED STEEL PROVIDES EXCELLENT CORROSION RESISTANCE AND LONGEVITY.

SOLD IN BOX QUANTITIES OF 25 PIECES.

OPTIONS

DC: SOLD NESTED
DCL: SOLD SNAPPED TOGETHER
AVAILABLE WITH 6" BODY (MODEL DCL)
CUSTOM SIZES AVAILABLE.



DCL OPTION

JOB NAME:
LOCATION:
ARCHITECT:
ENGINEER:
CONTRACTOR:
CONTACT MIAMI TECH INC. FOR ADDITIONAL INFORMATION OR WITH SPECIAL REQUIREMENTS. 3611 NW 74TH ST MIAMI, FL 33147 PHONE: 305-693-7054 FAX: 305-693-6152 WEB: WWW.MIAMITECH.COM EMAIL: SALES@MIAMITECH.COM

DC/DCL

FLEX DUCT CONNECTOR
PRODUCT SPECIFICATIONS

NOTE: ALL DRAWINGS SUBJECT TO CHANGE WITHOUT PRIOR NOTICE.



DRAWN BY: AV	DATE: 7/13/09	SCALE: NOT TO SCALE	DRAWING NO. DCXX
CHECKED BY: IV	DATE: 5/18/16	REVISION: 4	