



100 Royal Way
Temple, GA 30179
Phone (800) 520-6593

SPECIFICATION DATA SHEET

Date: 11/19/2013

MODEL No. 244/244R/244L
Center, Right, or Left End
Register Boot

DIMENSIONAL DATA

A	B	C	D
Register	Collar	Length	Total Height
2x10	4	14 1/4"	6 1/2
2x10	5	14 1/4"	7 1/7
2x10	6	14 1/4"	8 1/2
2x12	6	16 3/4"	8 1/2
2x12	7	16 3/4"	9 1/2
4 x 8	5	12 1/4"	7 1/2
4x10	4	14 1/4"	6 1/2
4x10	5	14 1/4"	7 1/2
4x10	6	14 1/4"	8 1/2
4x10	7	14 1/4"	9 1/2
4x12	6	16 1/4"	8 1/2
4x12	8	16 1/4"	10 1/2
4x14	6	19 1/2"	8 1/2
4x14	7	19 1/2"	9 1/2
6x10	4	14 1/4"	6 1/2
6x10	5	14 1/4"	7 1/2
6x10	6	14 1/4"	8 1/2
6x10	7	14 1/4"	9 1/2
6x10	8	14 1/4"	10 1/2
6x12	6	17 1/4"	8 1/2
6x12	7	17 1/4"	9 1/2
6x12	8	17 1/4"	10 1/2
6x14	6	18 3/4"	8 1/2
6x14	7	18 3/4"	9 1/2
6x14	8	18 3/4"	10 1/2

FABRICATION DATA

Material:

ASTM-A653 CS Type B Galvanized Steel, 30GA
G-30 Coating LFG Chemical Treatment

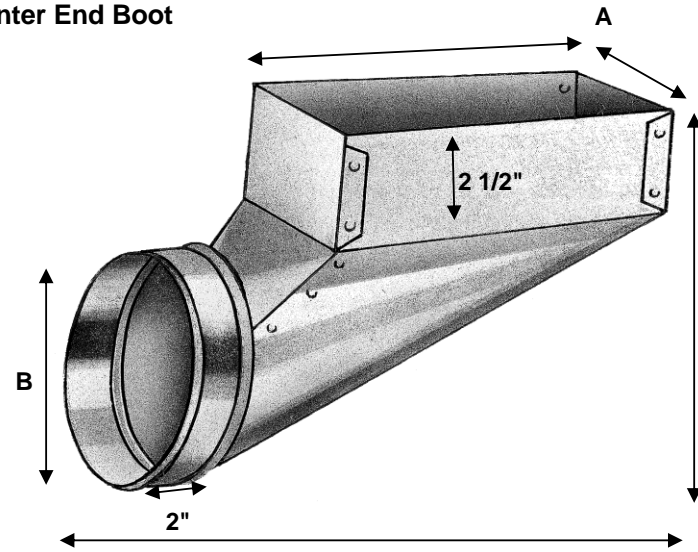
Assembly:

Assembled with C-115 2/16 zinc coated steel rivets

244: An 1/8" hem on both collar and register openings. A Royal plaster frame may be used to hang the boot in a ceiling mount.

244F: A 1" Outboard flange around the perimeter of the register opening with a 5/8" drywall edge. Royal boot rails may be used to hang the boot in a ceiling mount.

Model 244 Center End Boot



Accessories:

Plaster Frame

Available in 24" and 26" length



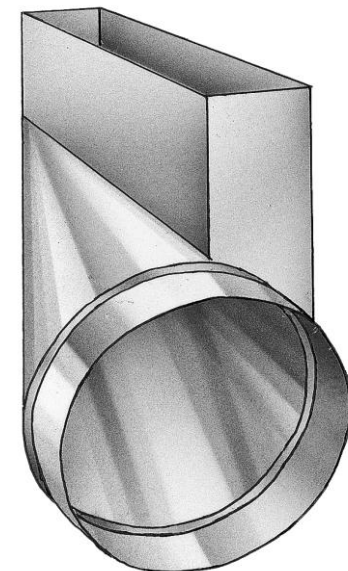
Accessories:

Boot Rails

Available in 24" and 26" length
Item# 100324 (24")
Item# 100326 (26")



Model 244R/L (244R Shown)
Left or Right End Register Boot



Superior Quality, Superior Service, Superior Value.. that's the Royal Advantage



Superior Quality, Superior Service, Superior Value.. that's the Royal Advantage