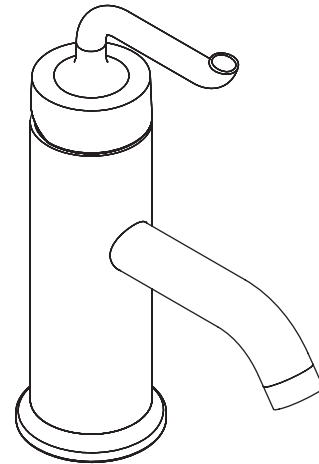


### SINGLE-CONTROL LAVATORY FAUCET K-14402

#### Features

- Brass construction
- One-piece, self-contained ceramic disc valve allows both volume and temperature control
- Temperature memory allows faucet to be turned on and off at any temperature setting
- High-temperature limit setting for added safety
- Single-hole mounting
- Pop-up drain with tailpiece
- Low spout design
- 5-1/2" (14 cm) spout reach
- Stationary spout
- 1.5 gallons (5.7 liters) per minute maximum flow rate



#### Codes/Standards Applicable

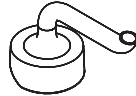
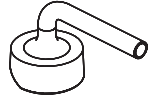
Specified model meets or exceeds the following at date of manufacture:

- ADA
- ASME A112.18.1/CSA B125.1
- ICC/ANSI A117.1
- NSF 61
- All applicable US Federal and State material regulations
- EPA WaterSense®

#### Colors/Finishes

- CP: Polished Chrome
- PB: Vibrant® Polished Brass
- Other: Refer to Price Book for additional colors/finishes

#### Specified Model

Model	Description	Sculpted Handle			Straight Handle					
			<input type="checkbox"/> CP	<input type="checkbox"/> PB	<input type="checkbox"/> Other ____		<input type="checkbox"/> CP	<input type="checkbox"/> PB	<input type="checkbox"/> Other ____	
K-14402-4	Single-control lavatory faucet – Smile design, sculpted handle (shown)	<input type="checkbox"/>	<input type="checkbox"/>	<input type="checkbox"/>						
K-14402-4A	Single-control lavatory faucet – straight handle				<input type="checkbox"/>	<input type="checkbox"/>	<input type="checkbox"/>			

#### Product Specification

The single-control lavatory faucet shall be made of brass construction. Product shall have a maximum flow rate of 1.5 gallons (5.7 L) per minute. Product shall feature a one-piece, self-contained ceramic disc valve, allowing volume and temperature control. Product shall feature temperature memory, allowing the faucet to be turned on and off at any temperature setting, and a high-temperature limit setting for added safety. Product shall be for single-hole mounting. Product shall feature a 5-1/2" (14 cm) spout reach, low spout design, a stationary spout, and a pop-up drain with tailpiece. Faucet shall be Kohler Model K-14402-\_\_\_\_-\_\_\_\_.

# PURIST®

## Optional Accessories

Additional flow options are available (refer to the Kohler Price Book)

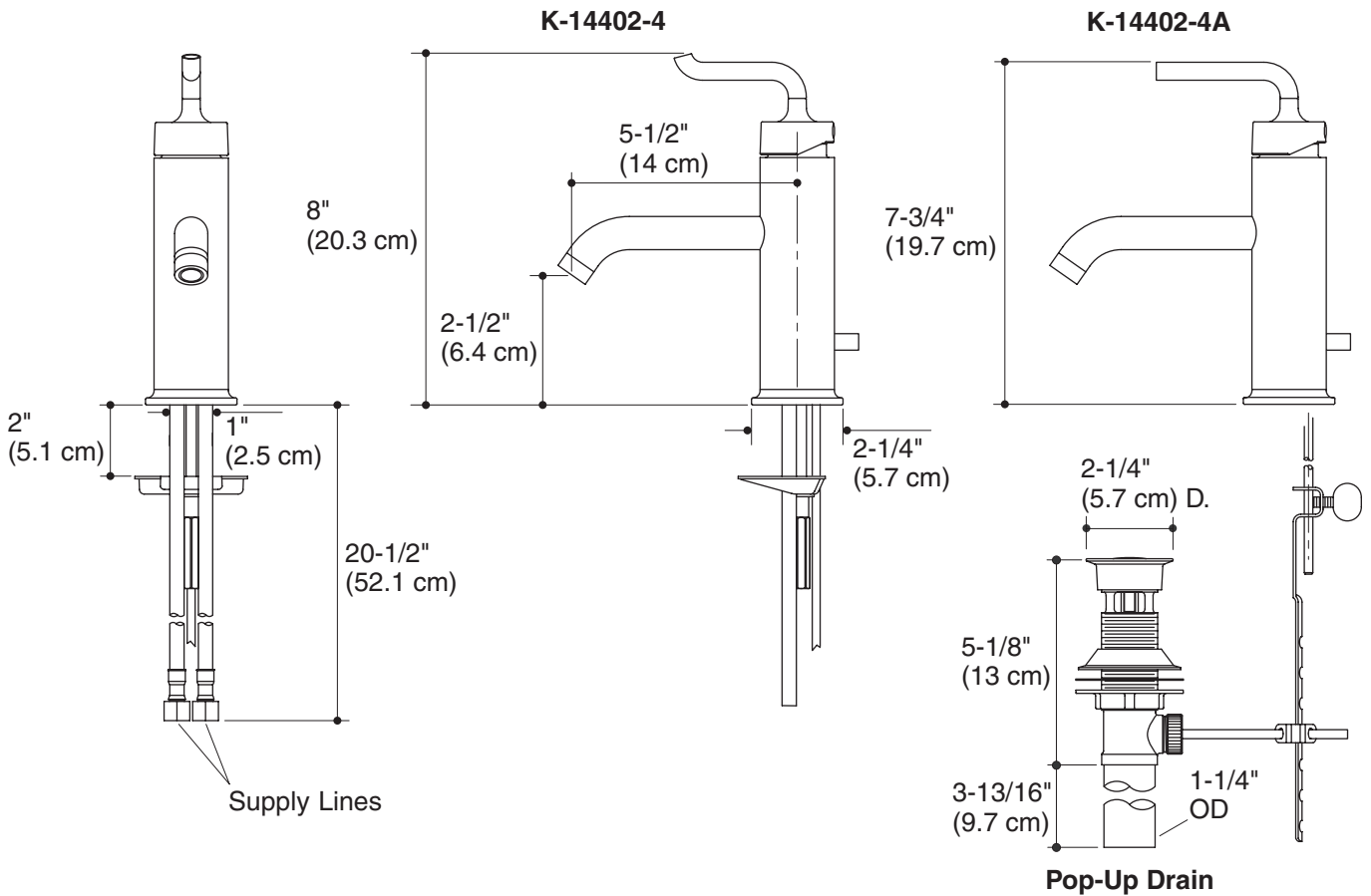
## Technical Information

Included components:

Pop-up drain with tailpiece	1035350
-----------------------------	---------

## Installation Notes

Install this product according to the installation guide.



## Product Diagram