

Sage Technical Specification

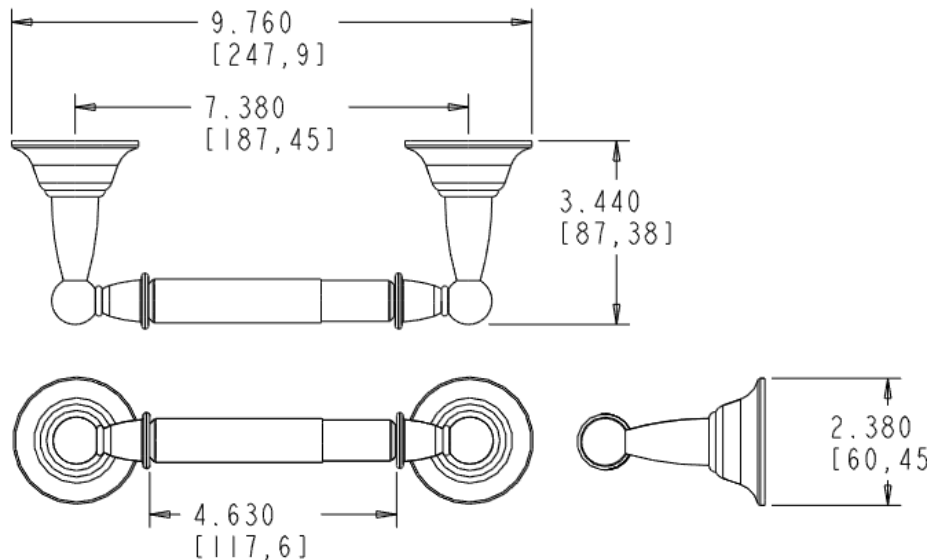
Paper Holder

DN6808

Stock Numbers:

- q **DN6808CH – Paper Holder**
Chrome Finish
- q **DN6808BN – Paper Holder**
Brushed Nickel Finish

Dimensions:



Materials:

Paper Holder posts are constructed of zinc. **CH** roller is aluminum. **BN** roller is brass.

Installation Instructions:

1. Position the mounting template on the wall in the desired location. Using a level, align the template and tape it to the wall.
2. Remove each mounting post from the body by loosening the setscrew.
3. Place each mounting post on the template with notch facing down.
4. One at a time, place each anchor screw through the mounting post, centered in the large hole. Using a Phillips screwdriver, turn the anchor screw while applying pressure. Screw will self drill and tap into drywall.
5. Only insert screw $\frac{1}{2}$ to $\frac{3}{4}$ of the way.
6. After all screws are installed, tear the template away from the wall.
7. Tighten all 4 the screws. Do not over tighten.
8. Place each end post over the mounting post (setscrew down). Tighten both setscrews.
9. Compress the paper holder bar and place into posts.

Cleaning Instructions:

To preserve the fine finish of this product, clean only with a soft damp cloth. Dry well. Do not use commercial or abrasive cleaners.

Stock Number: _____ **Paper Holder**
By Creative Specialties



25300 AL MOEN DRIVE • NORTH OLMSTED, OH 44070
CORPORATE HEADQUARTERS: (800) 321-8809 • FAX: (800) 848-6636
INTERNATIONAL: (440) 962-2000 • FAX: (440) 962-2726
CUSTOMER SERVICE (USA): 800-882-0116 • FAX: (888) 379-2720

©Copyright Creative Specialties International 2003

Literature #BA1145

Sage Technical Specification

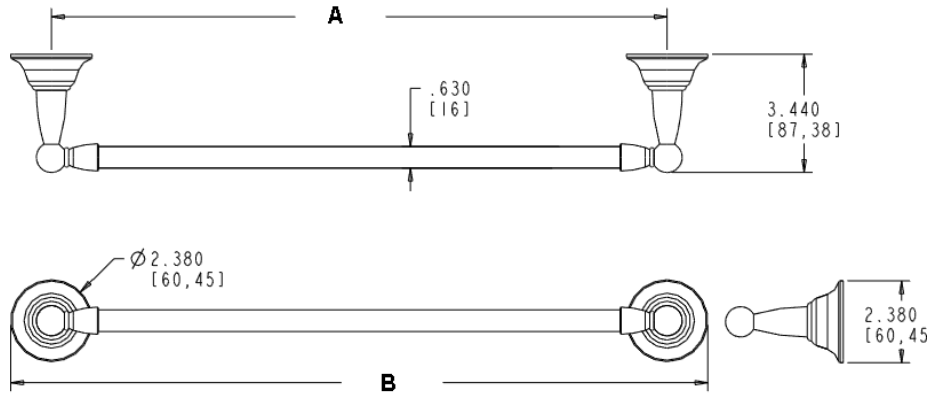
18" & 24" Towel Bar

DN6818 & DN6824

Stock Numbers:

- q **DN6818CH – 18" Towel Bar**
Chrome Finish
- q **DN6824CH – 24" Towel Bar**
Chrome Finish
- q **DN6818BN – 18" Towel Bar**
Brushed Nickel Finish
- q **DN6824BN – 24" Towel Bar**
Brushed Nickel Finish

Dimensions:



Length	18"	24"
Dim. A	18.00	24.00
Dim. B	20.38	26.38

Materials:

Towel bar posts are constructed of zinc. **CH** bar is aluminum. **BN** bar is brass.

Installation Instructions:

1. Position the mounting template on the wall in the desired location. Using a level, align the template and tape it to the wall.
2. Remove each mounting post from the body by loosening the setscrew.
3. Place each mounting post on the template with notch facing down.
4. One at a time, place each anchor screw through the mounting post, centered in the large hole. Using a Phillips screwdriver, turn the anchor screw while applying pressure. Screw will self drill and tap into drywall.
5. Only insert screw $\frac{1}{2}$ to $\frac{3}{4}$ of the way.
6. After all screws are installed, tear the template away from the wall.
7. Tighten all 4 the screws. Do not over tighten.
8. Assemble the Towel bar and posts.
9. While assembled, Position each end post with the setscrew down and place over mounting posts. Tighten the setscrew at the bottom of each base.

Cleaning Instructions:

To preserve the fine finish of this product, clean only with a soft damp cloth. Dry well. Do not use commercial or abrasive cleaners.

Stock Number: _____ **Towel Bar**
By Creative Specialties



25300 AL MOEN DRIVE • NORTH OLMSTED, OH 44070
CORPORATE HEADQUARTERS: (800) 321-8809 • FAX: (800) 848-6636
INTERNATIONAL: (440) 962-2000 • FAX: (440) 962-2726
CUSTOMER SERVICE (USA): 800-882-0116 • FAX: (888) 379-2720

©Copyright Creative Specialties International 2003

Literature #BA1146

Sage Technical Specification

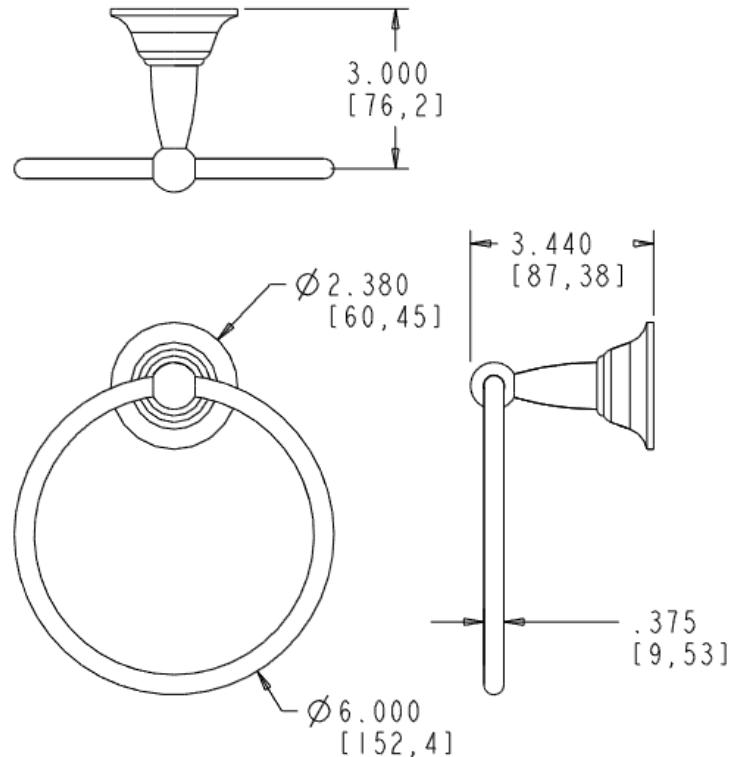
Towel Ring

DN6886

Stock Numbers:

- q **DN6886CH – Towel Ring**
Chrome Finish
- q **DN6886BN – Towel Ring**
Brushed Nickel Finish

Dimensions:



Materials:

Towel Ring post is constructed of zinc. **CH** ring is aluminum. **BN** ring is brass.

Installation Instructions:

1. Remove the mounting post from the body by loosening the setscrew.
2. Position the mounting post on the wall at desired location with notch facing down.
3. One at a time, place each anchor screw through the mounting post, centered in the large hole. Using a Phillips screwdriver, turn the anchor screw while applying pressure. Screw will self drill and tap into drywall. Do not over tighten.
4. Place assembly over the mounting post, setscrew facing down.
5. Tighten setscrew.

Cleaning Instructions:

To preserve the fine finish of this product, clean only with a soft damp cloth. Dry well. Do not use commercial or abrasive cleaners.

Stock Number: _____ **Towel Ring**
By Creative Specialties



25300 AL MOEN DRIVE • NORTH OLMS TED, OH 44070
CORPORATE HEADQUARTERS: (800) 321-8809 • FAX: (800) 848-6636
INTERNATIONAL: (440) 962-2000 • FAX: (440) 962-2726
CUSTOMER SERVICE (USA): 800-882-0116 • FAX: (888) 379-2720

©Copyright Creative Specialties International 2003

Literature #BA1147