

MUELLER® 2360 SERIES™ RESILIENT WEDGE GATE VALVE

Mueller Co.

10.1

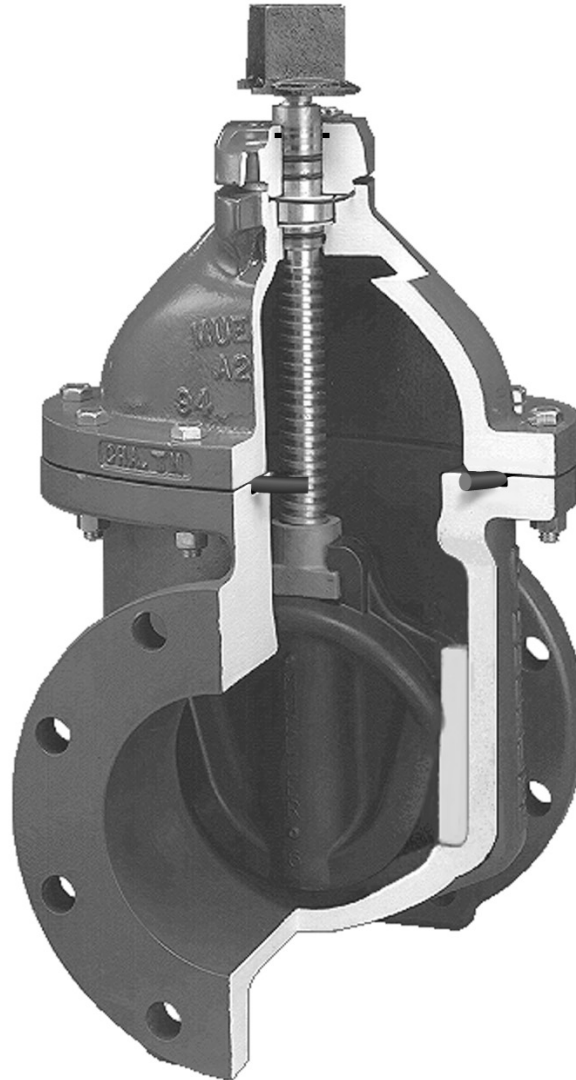
Rev. 2-06

MUELLER® 2300 Series Resilient Wedge Gate Valves

Mueller® Resilient Wedge Gate Valves have features to make them easier to operate and to preserve the sealing capability and interior coating integrity for many years of reliable service. In addition to popular end connection options, Mueller brand RW valves can be ordered with Mueller's exclusive Aqua-Grip™ System that incorporates an O-ring sealed compression connection and integral pipe restraint in one "ready to use" easy and quick to install package.

Mueller 2" – 12" 2360 Series Resilient Wedge Gate Valve Features

- ❑ TRIPLE O-RING SEALS PLUS DIRT SEAL – two above thrust collar and one below, retain lubricant in this critical area. Top two are replaceable with valve fully open and under pressure. Fourth seal at top serves as dirt seal†.
- ❑ TWO ANTI-FRICTION WASHERS WITH LUBRICATION – made of polymer, one above and one below the thrust collar, reduce operating torque to open or close valve.
- ❑ STEM – forged manganese bronze bar stock is upset, then machined to form a thrust collar for superior strength in this critical area.
- ❑ WEDGE – cast iron, fully encapsulated in molded rubber - no exposed iron.
- ❑ EXTENDED WEDGE GUIDES – molded as part of wedge, ride inside body channels to maintain wedge alignment throughout its travel.
- ❑ GUIDE CAP BEARINGS – made of polymer and snapped over rubber covered wedge guides, provide bearing surfaces that protect both wedge and interior body coating from wear and aid in easy operation – even the largest valves installed horizontally. Rollers, tracks or scrapers are not needed.



- ❑ SMOOTH, OVERSIZED FLOW WAY – full, round, unobstructed flow way accommodates full size cutters, provides superior flow characteristics and reduces pumping costs.**
- ❑ MUELLER® PRO-GARD™ FUSION EPOXY COATING – 10 mils* thick protects all inside and outside iron surfaces, and complies with AWWA C550 and certified to ANSI/NSF 61.
- ❑ 250 PSIG MAXIMUM WORKING PRESSURE – Hydrostatically tested at 500 psig. Surpasses ANSI/AWWA Standard C509 by 25%. UL/FM: 200 psig MWP.***
- ❑ AMERICAN MADE QUALITY – factory in Chattanooga, TN with ISO 9001:2000 certification, and UL 262, FM 1120/1130. Certified to ANSI/NSF 61. Manufactured and tested in compliance with ANSI/AWWA Standard C509. UL Listed and FM Approved.
- ❑ BI-DIRECTIONAL FLOW
- ❑ FLAT BOTTOM SURFACES – stands upright for easier handling and storage.
- ❑ 10-YEAR LIMITED WARRANTY – assured reliability (see separate Mueller Warranty document for terms).

Mueller 14" – 48" 2361 Series Resilient Wedge Gate Valve Features

In addition to all the features of the smaller 2360 series valves, large size Mueller 2361 series RW valves offer these features:

- ❑ STEM – Manganese bronze casting with integral thrust collar.
- ❑ WEDGE – Ductile iron, fully encapsulated in molded rubber.
- ❑ BODY AND BONNET – Ductile iron.



- ❑ COMPLIANCE – In addition to those above: ANSI/AWWA Standard C515.
- ❑ MAXIMUM WORKING PRESSURE – 14"-48" AWWA valves rated at 250 psig – tested at 500 psig. UL/FM valves 200 psig MWP (14"-16" 250 psig MWP).***

*Nominal

**16" valve requires 1/2" undersized cutter.

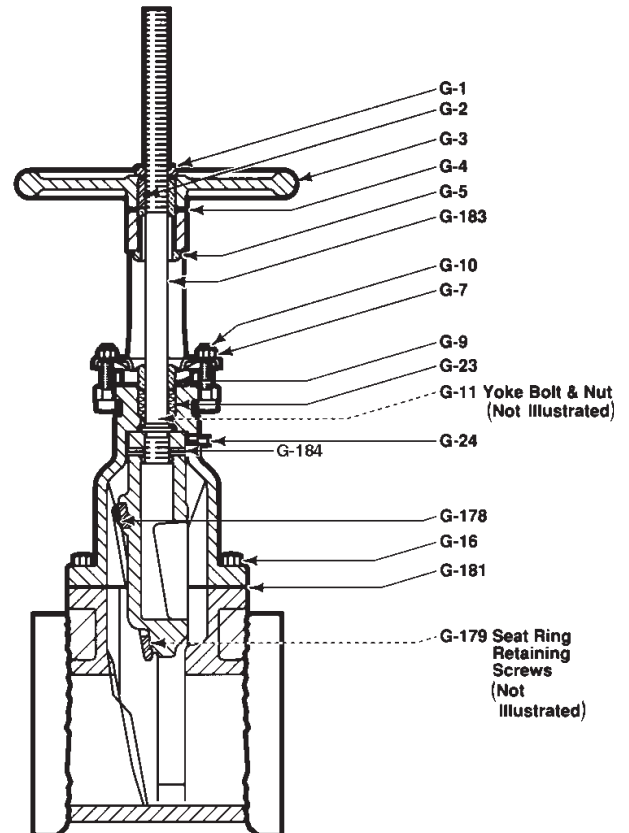
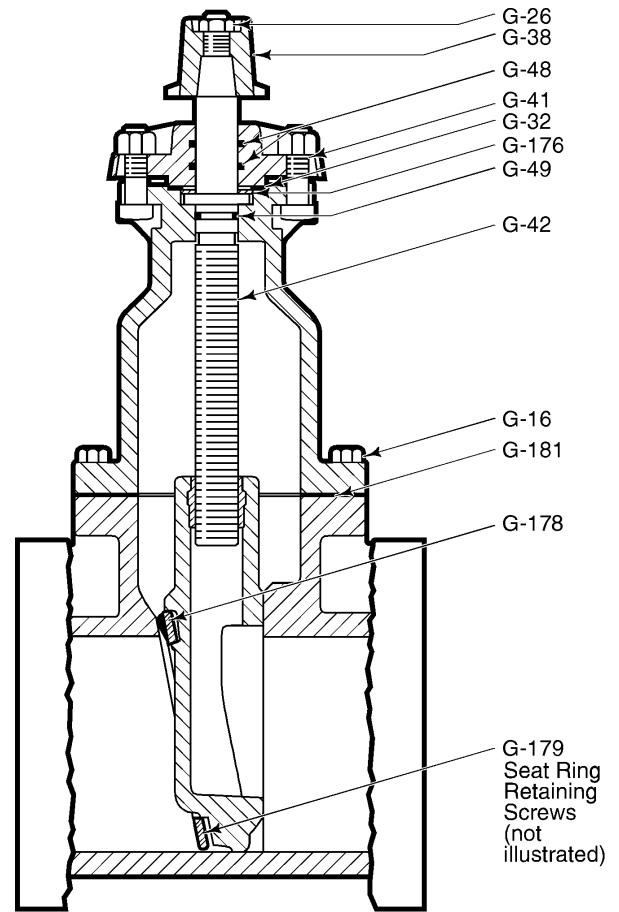
***250 psi UL/FM rating available as an option.

†Dirt seal on 4"-12" valves.

Double-Disc Style gate valves follow the RW valve pages.

Resilient Seal Valve Parts

Catalog Part No.	Description	Material	Material standard
G-1	Cap nut	Bronze	ASTM B62
G-2	Key	Steel	
G-3	Handwheel	Cast iron	ASTM A126 CL. B
G-4	Washer	Brass	
G-5	Bush nut	Bronze	ASTM B62
G-7	Gland nut	Bronze	ASTM B21 Alloy 464
G-9	Gland	Bronze	ASTM B62
G-10	Gland bolt	Steel	ANSI B18.2.1
G-11	Yoke bolt and nut	Steel	ANSI B18.2.1
G-16	Bonnet bolts & nuts	Steel	ANSI B18.2 plated
G-23	Stem packing	Lubricated flax	
G-24	Test plug	Iron	
G-26	Nut for wrench nut	Steel	ANSI B18.2 plated
G-32	Stuffing box gasket	Fiber	
G-38	Wrench nut	Cast iron	ASTM A126 CL.B
G-41	Stuffing box bolt & nut	Steel	ANSI B18.2 plated
G-42	Stem	Bronze	ASTM B138
G-45	Hand wheel	Cast iron	ASTM A126 CL.B
G-48	Stuffing box O-ring	Rubber	ASTM D2000
G-49	Stem O -ring	Rubber	ASTM D2000
G-176	Anti-friction washer	Celcon	
G-178	Seat ring	Rubber	ASTM D2000
G-179	Retaining screw	Stainless steel	
G-181	Bonnet gasket	Composition	ASTM D1170
G-183	Stem	Bronze	CDA Alloy 676
G-184	Pin	Bronze	



GATE VALVE ORDERING INSTRUCTIONS

To order Gate Valves specify:

Quantity

If more than one size, specify quantity of each

Size

Nominal size of valve

Catalog number

Special catalog number suffix

See chart at bottom of page 10.40 if gearing, grease cases, bypass valves or position indicators are required. The appropriate suffix number is added to the base catalog number.

Direction of opening

Specify open left (counter-clockwise) or open right (clockwise). Wrench nuts on valves that open to the right are painted red for identification purposes.

Method of operation

N.R.S. valves are available with either a 2" square wrench nut or a handwheel. Handwheels are standard on flanged x flanged and thread x thread valves; all other NRS* valves have a 2" square wrench nut as standard. Outside screw and yoke type valves are available with handwheel only. When ordering NRS valves, specify wrench nut or handwheel.

* 30"-48" resilient wedge and double-disc gate valves must be ordered with actuator.

Special Requirements

Contact MUELLER Customer Service Center with special requirements such as special paints or coatings, low zinc bronze stems, stainless steel fasteners etc.

Gate Valve Repair Parts

To order repair parts specify size of valve, direction of opening, year date on body, part number, catalog number of valve if known, and type of ends if ordering body.

Rev. 2-06

Accessory Kits

Type	Part Number	Sizes *	Included
Flange end	A-199206	4"-12"	Flat gasket, bolts/nuts
MJ end - D.I.	A-199000	2", 3"-12"	Ring gasket, DI gland, bolts/nuts
MJ end - C.I.	A-199100	2", 3"-24"	Ring gasket, CI gland, bolts/nuts

NOTE: Basic kits listed here. Contact MUELLER Customer Service Center regarding the many options available.

Slip - on Gaskets

Size valve *	Part Number
4"	195204
6"	195205
8"	195206
10"	195207
12"	195208
14"	348510
16"	199946

Gland Packs

Mechanical Joint Accesories

Size valve *	Standard Mechanical Joint Gland Part No.	Gland with Bonding Set Screws Part No.	Plain Rubber Gasket Part No.
2"	155163	181299	194629
3"	155024	181301	194531
4"	155014	181302	194532
6"	155016	181303	194533
8"	155018	181304	194534
10"	155020	181305	194535
12"	155022	181306	194536
14"	155273	181307	194684
16"	155170	181308	194632
18"	155352	181314	194729
20"	155264	181309	194670
24"	155263	181310	194671
30"	155481	-	194779
36"	155079	-	195169

Radial Compression Gaskets

Size valve *	Part Number
2"	195290
2-1/2"	195291
3"	195292
4"	195293
6"	195294
8"	195375

"T" Head Bolts and Nuts (size supplied will be appropriate for size of valve) - specify quantity

Size valve *	Part Number
2"	280035
3"	280036
4"	280037
4"*	280042 **
6"	280037
6"*	280042 **
8"	280038
8"*	280043 **
10"	280038
10"*	280043 **
12"	280038
12"*	280043 **
14"	280038
16"	280039
18"	280039
20"	280039
24"	280040
30"	280041
36"	280041

Gland Packs

D-150 Mechanical Joint Accessories

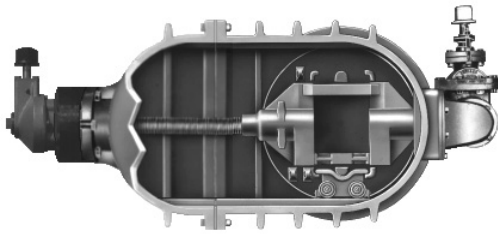
Size valve*	D-150 Mechanical Joint Gland Part No.	D-150 Mechanical Joint Gland with Bonding Screws Part No.	D-150 Plain Gasket Part No.	D-150 Duck - Tipped Gasket Part No.
4"	160519	186610	194738	194732
6"	160520	186611	194739	194733
8"	160521	186612	194740	194734
10"	160522	186613	194741	194735
12"	160523	186614	194742	194736

* Nominal

** Anti-rotation bolts

DOUBLE-DISC GATE VALVE OPTIONS

Double-Disc Gate Valve Options



Rollers, Tracks and Scrapers (Double-disc gate valves only)

Double-disc gate valves in sizes 16" through 36" for vertical installations are furnished with a shoe on each side of the disc assembly for guiding the disc assembly throughout its entire travel. Gate valves in sizes 16" through 36" for horizontal installations are furnished with rollers which travel on a bronze track in the body and bonnet. These rollers support the weight of the disc assembly throughout its entire travel. The roller carriage has scrapers for cleaning the track ahead of the rollers. Rollers and tracks are required on 16" and larger double-disc gate valves when the main valve stem is horizontal. They are not required on bevel geared valves specified for vertical installation.



Double disc gate valve o-ring conversion kit

MUELLER CO. offers kits to convert non-rising stem conventionally packed gate valves to O-ring sealed type. The conversion replaces the conventional packing with two O-ring seals above the thrust collar and a gasket seal between the bonnet and new stuffing box.

O-ring conversion kit contains the following

- (1) G-70 Stuffing box
- (2) G-48 O-rings
- (1) G-32 Stuffing box gasket
- G-41 bolts and nuts
 - (2) for 2" valve
 - (4) for 3"-14" valves
 - (6) for 16"-24" valves

Valve size	Conversion kit part number
2"	181338
3"	181393*
4"	181340
6"	181341
8"	181342
10"	181343
12"	181344
14"	181388
16"	181389
18"	181390
20"	181391
24"	181392

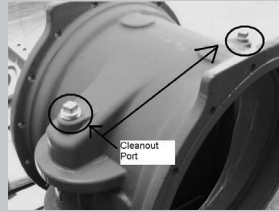
*1956 Design. For valves made prior to 1956 use kit number 181339

RESILIENT WEDGE AND DOUBLE-DISC GATE VALVE OPTIONS

Resilient Wedge Options

Clean out Port Option on 24"-48" RWGV

Cleanout port option is available for 24" - 48" resilient wedge gate valves. 24" valves would utilize a 1-1/2" port while 30-48" valves utilize a 2" port. Please refer to option 202 (i.e. 240A236106LN202) when ordering.



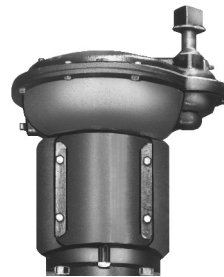
Resilient Wedge and Double-Disc Gate Valve Options

Needle and Slot (Universal) Position Indicator

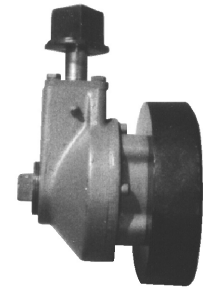
Can be furnished on 4" and larger non-rising stem valves with or without gearing. Mechanism is fully enclosed and uses a moving pointer on a scale to show relative position of valve gate.

Stainless Steel External Fasteners

Stainless steel (type 304 or 316) external fasteners are available. Note: Resilient Wedge Gate Valves through 12" have stainless steel type 304 fasteners as standard.



Spur Gearing with Grease case



Bevel Gearing with Grease case

Gearing

Non-rising stem gate valves 4" and larger can be furnished with bevel gearing, or 14" and larger with spur gearing (for double-disc valves, does not apply to 14"). Gearing is recommended for all resilient wedge gate valves 30" and larger, and for all double-disc gate valves 24" and larger. Gearing provides an additional bearing to support the extreme end of the valve stem. Bevel and spur gearing includes a grease case. All gears have machine cut teeth. Bevel geared valves are for horizontal installation and spur geared valves for vertical. Styles shown are typical – actual appearance may vary.

2" Square Wrench Nut or Handwheel

The 2" square wrench nut is standard on all N.R.S. resilient wedge and double-disc gate valves except flange x flange and thread x thread valves, which have a handwheel as standard. The wrench nut and handwheel are optional alternatives to these standard features.



N.R.S. Bypass

N.R.S. Bypass

Bypass valves are AWWA non-rising stem type. On resilient wedge valves, the bypass valve is also the RW type. On double-disc valves, it is the DD type. Bevel geared or horizontally installed valves have the bypass mounted on the bottom end of the valve. Spur geared or vertically installed valves have the bypass mounted on the disc of the valve body.

Available on 18"-48" Gate Valves Only.

Valve size/type	Bypass valve size
18"-20" RW	2"
24" RW	2-1/2"
30", 36" RW	3"
42", 48" RW	4"
14"* DD	2"
16" - 20" DD	3"
24", 30" DD	4"
36" DD	6"

How to order

Accessories are ordered by adding a suffix number to the basic gate valve catalog number. See chart below for accessory suffix numbers.

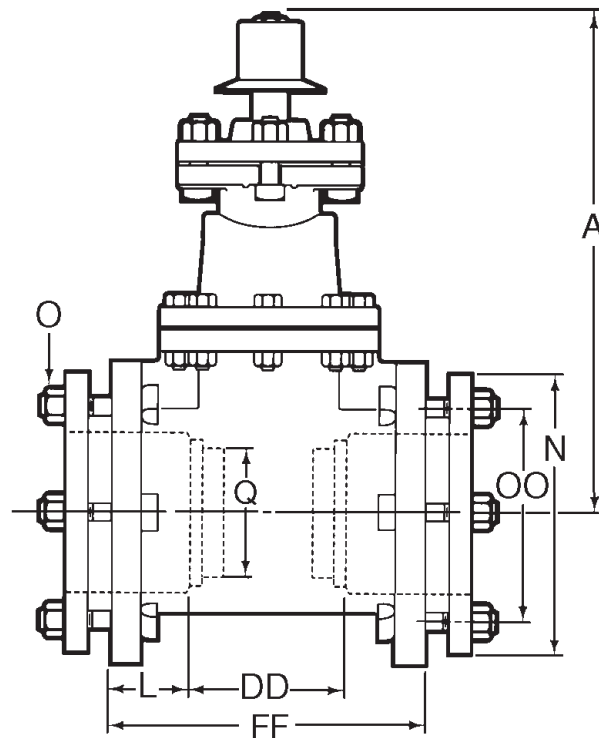
Catalog number for options*

Catalog number suffix		Description	Valve size
Without indicator	With indicator		
02	102	Bevel gearing**	4" and larger
03	103	Spur gearing**	4" and larger
06	106	Bevel gearing and bypass	18"-48"
07	107	Spur gearing and bypass	18"-48"
09	-	Bypass only	18"-24"
-	108	Position indicator only	4"-48"

*Fasteners, coatings, operators and other options not included in this chart are ordered by including them in the valve specification notations.

**Includes grease case. Not available for 14" double-disc gate valves.

14" - 36" DOUBLE-DISC GATE VALVES - M.J. x M.J.



Dimension*	Nominal Size						
	14"	16"	18"	20"	24"	30"	36"
A	34.12	39.00	43.00	47.50	55.75	66.50	**
FF	15.00	19.75	21.00	21.50	23.50	28.00	31.00
L	3.50	3.50	3.50	3.50	3.50	4.00	4.00
N	20.31	22.56	24.83	27.08	31.58	39.12	46.00
O (number and size of holes)	10--7/8	12--7/8	12--7/8	14--7/8	16--7/8	20--1-1/8	24--1-1/8
DD	8.00	12.75	14.00	14.50	16.50	20.00	23.00
Q (bore)	14.00	16.00	18.00	20.00	24.00	30.00	36.00
OO (bolt circle diameter)	18.75	21.00	23.25	25.50	30.00	36.88	43.75
Turns to open	46	53	59	65	77	65	78
Weight*	805	1108	1488	1810	2605	5100	8300

*All dimensions are in inches. All weights are in pounds and are approximate.

**36" valves sold only with gear operators, dimension depends on style of operator selected. Contact Customer Service for Dimension.

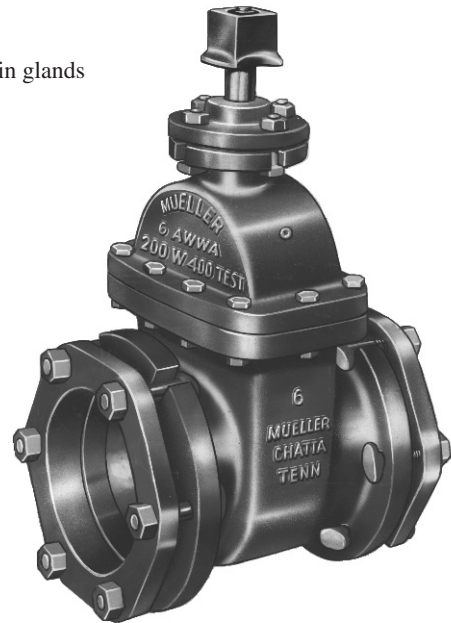
Options

See pages 10.40 and 10.41 for more information on Gate Valve options.

- Bevel gearing with grease case
- Spur gearing with grease case
- Stainless steel fasteners
- ASTM B98-C66100/H02 stem and disc pins
ASTM B763-C99500 Stem 18" - 36"
- Position indicators
- NRS by-pass valve
- Bronze internal parts
- Tracks, rollers, scrapers
- MUELLER HP® Epoxy Coating
- Handwheel

Rev. 2-06

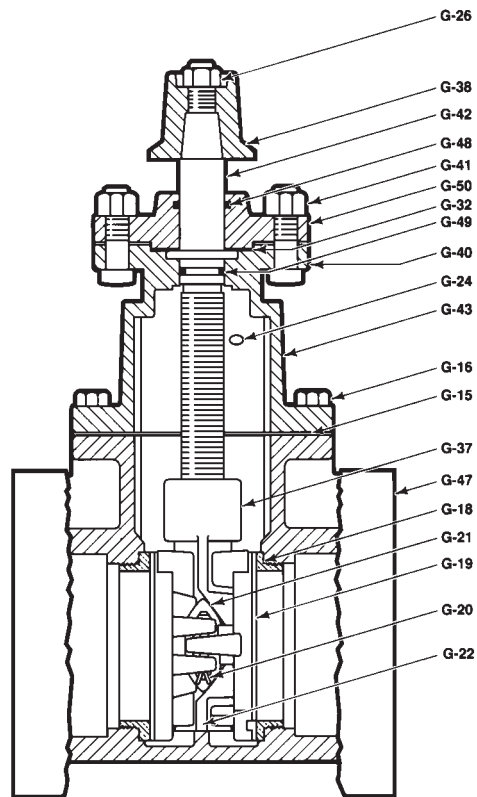
- ❑ Catalog number–
 - A-2380-20** standard mechanical joint ends (with accessories unassembled)
 - A-2380-22** standard mechanical joint ends (with accessories and bonding set screws in glands unassembled)
 - A-2380-23** standard mechanical joint ends (less accessories)
- ❑ Sizes - 14", 16", 18", 20", 24", 30", 36"
- ❑ Meets or exceeds all applicable requirements of ANSI/AWWA C500 Standard
- ❑ Mechanical joint ends comply with ANSI/AWWA C111 Standard
- ❑ Iron body - bronze mounted
- ❑ Double disc parallel seat with four point wedging mechanism
- ❑ Non-rising stem (NRS)
- ❑ O-ring sealed stuffing box
- ❑ 2" square wrench nut (handwheel optional)
- ❑ 30" & 36" sizes – 150 psig (1034 kPa) maximum working pressure, 300 psig (2068 kPa) test pressure



A-2380-20

Double-disc gate valve parts

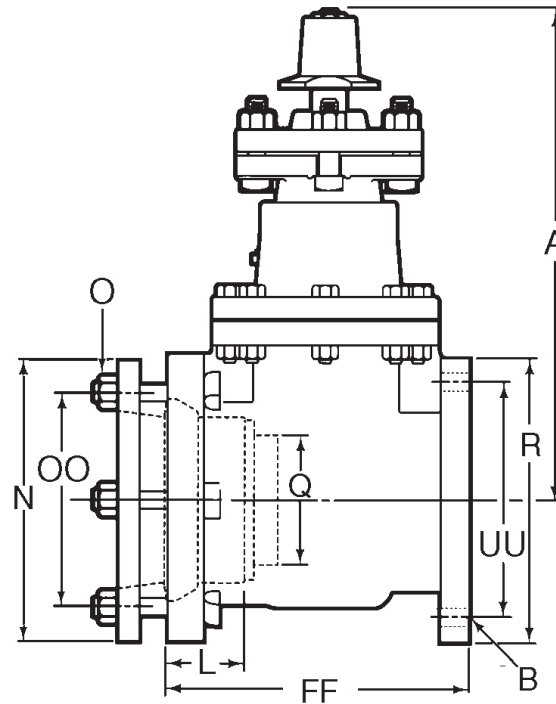
Catalog Part No.	Description	Material	Material standard
G-15	Bonnet gasket	Composition	ASTM D1170
G-16	Bonnet bolts & nuts	Steel	ANSI B18.2 plated
G-18	Seat ring	Bronze	ASTM B62
G-19	Disc and disc ring	Cast iron *	ASTM A126 CL.B
G-20	Disc pin	Bronze	ASTM B21
G-21	Side spreader	Bronze	ASTM B62
G-22	Bottom wedge	Cast iron	ASTM A126 CL.B
G-24	Test plug	Iron	
G-26	Nut for wrench nut	Steel	ANSI B18.2 plated
G-32	Stuffing box gasket	Fiber	
G-37	Top wedge nut	Cast iron *	ASTM A126 CL.B
G-38	Wrench nut	Cast iron	ASTM A126 CL.B
G-41	Stuffing box bolt & nut	Steel	ANSI B18.2 plated
G-42	Stem	Bronze	ASTM B584**
G-43	Bonnet	Cast iron	ASTM A126 CL.B
G-45	Hand wheel	Cast iron	ASTM A126 CL.B
G-47	Body	Cast iron	ASTM A126 CL.B
G-48	Stuffing box O-ring	Rubber	
G-49	Stem O-ring	Rubber	
G-50	Stuffing box	Cast iron	ASTM A126 CL.B



** Cast iron discs with rolled-in bronze facings; cast iron top wedge nut with integrally cast bronze bushing.

***18" - 36" ASTM B583

30" & 36" DOUBLE-DISC GATE VALVES - FL. x M.J.



Dimension*	Nominal Size	
	30"	36"
A	66.50	**
L	4.00	4.00
N	39.12	46.00
OO (bolt circle diameter)	36.88	43.75
Q (bore)	30.00	36.00
R	38.75	46.00
UU	36.00	42.75
XX	24.38	27.50
FF	28.38	31.50
B (number and size of holes for FL)	28--1-3/8	32--1-5/8
O (number and size of holes for MJ)	20--1-1/8	24--1-1/8
Turns to open	65	78
Weight*	5100	8300

*All dimensions are in inches. All weights are in pounds and are approximate.

**36" valves sold only with gear operators, dimension depends on style of operator selected. Contact Customer Service for Dimension.

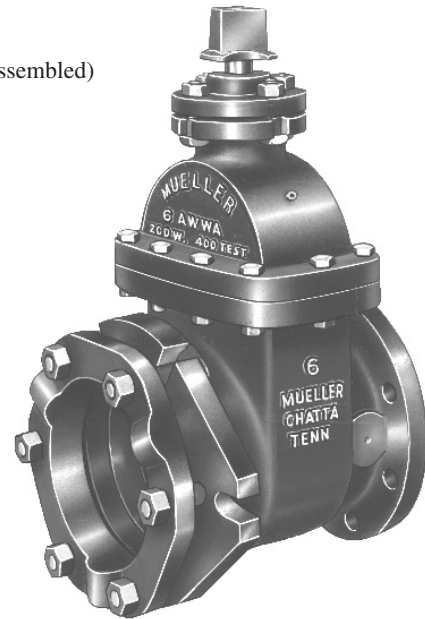
Options

See pages 10.40 and 10.41 for more information on Gate Valve options.

- Bevel gearing with grease case
- Spur gearing with grease case
- Stainless steel fasteners
- ASTM B98-C66100/H02 disc pins
ASTM B763-C99500 stem
- Position indicators
- NRS by-pass valve
- Bronze internal parts
- Tracks, rollers, scrapers
- MUELLER HP® Epoxy Coating
- Handwheel

Rev. 2-06

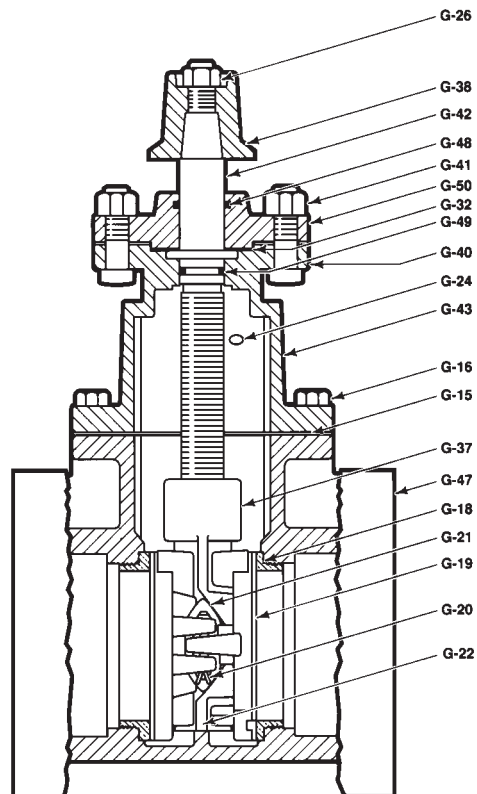
- ❑ Catalog number–
A-2380-16 flanged x mechanical joint (with accessories unassembled)
A-2380-18 flanged x mechanical joint (accessories and bonding set screws in gland unassembled)
A-2380-19 flanged x mechanical joint (less accessories)
- ❑ Sizes - 30" & 36"
- ❑ Meets or exceeds all applicable requirements of ANSI/AWWA C500 Standard
- ❑ Flange ends comply with ANSI B16.1, Class 125
- ❑ Mechanical joint ends comply with ANSI/AWWA C111 Standard
- ❑ Iron body - bronze mounted
- ❑ Double disc parallel seat with four point wedging mechanism
- ❑ Non-rising stem (NRS)
- ❑ O-ring sealed stuffing box
- ❑ 2" square wrench nut (handwheel optional)
- ❑ 150 psig (1034 kPa) maximum working pressure,
300 psig (2068 kPa) test pressure



A-2380-16

Double-disc gate valve parts

Catalog Part No.	Description	Material	Material standard
G-15	Bonnet gasket	Composition	ASTM D1170
G-16	Bonnet bolts & nuts	Steel	ANSI B18.2 plated
G-18	Seat ring	Bronze	ASTM B62
G-19	Disc and disc ring	Cast iron *	ASTM A126 CL.B
G-20	Disc pin	Bronze	ASTM B21
G-21	Side spreader	Bronze	ASTM B62
G-22	Bottom wedge	Cast iron	ASTM A126 CL.B
G-24	Test plug	Iron	
G-26	Nut for wrench nut	Steel	ANSI B18.2 plated
G-32	Stuffing box gasket	Fiber	
G-37	Top wedge nut	Cast iron *	ASTM A126 CL.B
G-38	Wrench nut	Cast iron	ASTM A126 CL.B
G-41	Stuffing box bolt & nut	Steel	ANSI B18.2 plated
G-42	Stem	Bronze	ASTM B584**
G-43	Bonnet	Cast iron	ASTM A126 CL.B
G-45	Hand wheel	Cast iron	ASTM A126 CL.B
G-47	Body	Cast iron	ASTM A126 CL.B
G-48	Stuffing box O-ring	Rubber	
G-49	Stem O-ring	Rubber	
G-50	Stuffing box	Cast iron	ASTM A126 CL.B

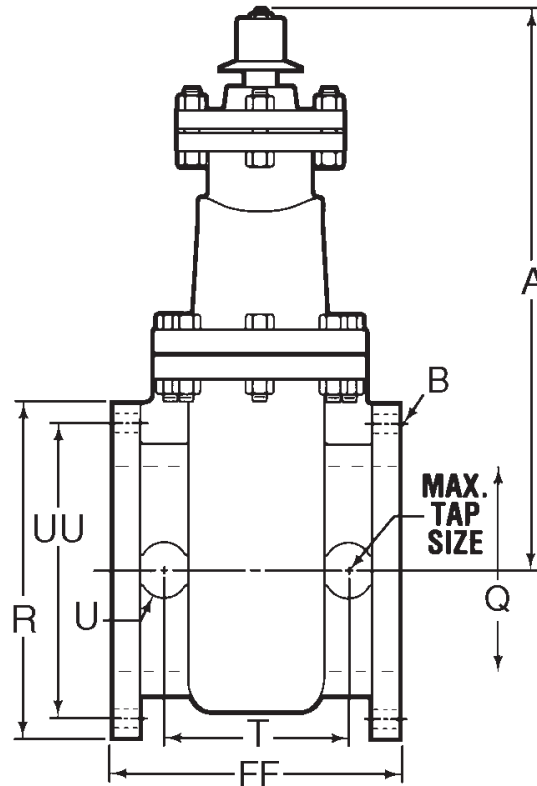


** Cast iron discs with rolled-in bronze facings; cast iron top wedge nut with integrally cast bronze bushing.

***18" - 36" ASTM B583

SEE PAGE 10.43 FOR ORDERING INSTRUCTIONS

14"-36" DOUBLE-DISC NRS GATE VALVE - FL. x FL.



Dimension*	Nominal Size						
	14"	16"	18"	20"	24"	30"	36"
A	34.12	39.00	43.00	47.50	55.75	66.50	**
Q (bore)	14.00	16.00	18.00	20.00	24.00	30.00	36.00
FF	15.00	20.25	22.00	22.25	25.50	28.75	32.00
R	21.00	23.50	25.00	27.50	32.00	38.75	46.00
T	9.00	N/A	N/A	N/A	N/A	N/A	N/A
U	3.00	N/A	N/A	N/A	N/A	N/A	N/A
UU (bolt circle diameter)	18.75	21.25	22.75	25.00	29.50	36.00	42.75
B (number and size of holes)	12--1-1/8	16--1-1/8	16--1-1/4	20--1-1/4	20--1-3/8	28--1-3/8	32--1-5/8
Max. tap size	2	N/A	N/A	N/A	N/A	N/A	N/A
Turns to open	46	53	59	65	77	65	78

*All dimensions are in inches. All weights are in pounds and are approximate.

**36" valves sold only with gear operators, dimension depends on style of operator selected. Contact Customer Service for Dimension.

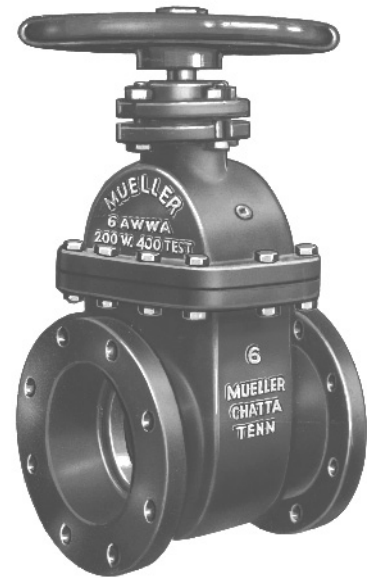
Options

See pages 10.40 and 10.41 for more information on Gate Valve options.

- Bevel gearing with grease case
- Spur gearing with grease case
- Tracks, rollers, scrapers
- Position indicators
- ASTM B98-C66100/H02 stem and disc pins
ASTM B763-C99500 Stem 18" - 36"
- NRS by-pass valve
- 2" Square wrench nut
- MUELLER HP® Epoxy Coating
- Stainless steel fasteners

Rev. 2-06

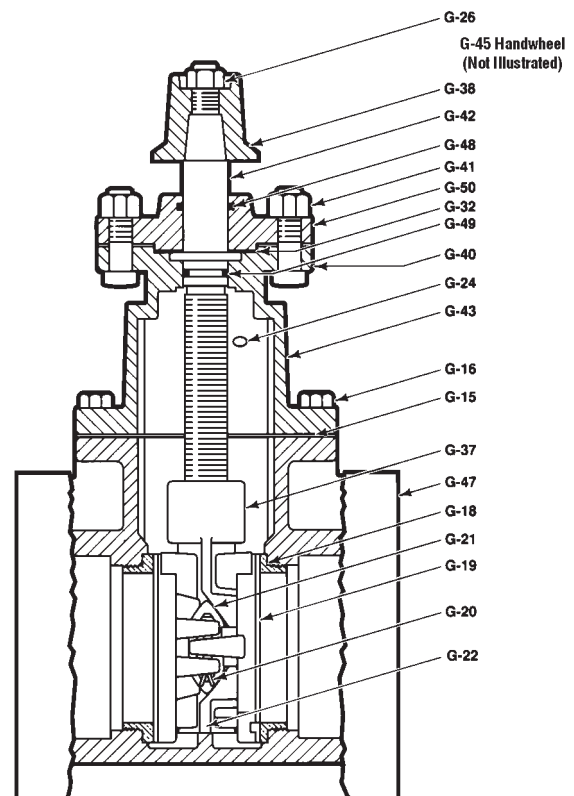
- ❑ Catalog number—
A-2380-6 flanged ends
- ❑ Sizes - 14", 16", 18", 20", 24", 30", 36"
- ❑ Meets or exceeds all applicable requirements of ANSI/AWWA C500 Standard
- ❑ Flange ends comply with ANSI B16.1, Class 125
- ❑ Iron body - bronze mounted
- ❑ Double disc parallel seat with four point wedging mechanism
- ❑ Non-rising stem (NRS)
- ❑ O-ring sealed stuffing box
- ❑ With handwheel (2" square wrench nut optional)
- ❑ 150 psig (1034 kPa) maximum working pressure,
300 psig (2068 kPa) test pressure



A-2380-6

Double-disc gate valve parts

Catalog Part No.	Description	Material	Material standard
G-15	Bonnet gasket	Composition	ASTM D1170
G-16	Bonnet bolts & nuts	Steel	ANSI B18.2 plated
G-18	Seat ring	Bronze	ASTM B62
G-19	Disc and disc ring	Cast iron *	ASTM A126 CL.B
G-20	Disc pin	Bronze	ASTM B21
G-21	Side spreader	Bronze	ASTM B62
G-22	Bottom wedge	Cast iron	ASTM A126 CL.B
G-24	Test plug	Iron	
G-26	Nut for wrench nut	Steel	ANSI B18.2 plated
G-32	Stuffing box gasket	Fiber	
G-37	Top wedge nut	Cast iron *	ASTM A126 CL.B
G-38	Wrench nut	Cast iron	ASTM A126 CL.B
G-41	Stuffing box bolt & nut	Steel	ANSI B18.2 plated
G-42	Stem	Bronze	ASTM B138**
G-43	Bonnet	Cast iron	ASTM A126 CL.B
G-45	Hand wheel	Cast iron	ASTM A126 CL.B
G-47	Body	Cast iron	ASTM A126 CL.B
G-48	Stuffing box O-ring	Rubber	
G-49	Stem O-ring	Rubber	
G-50	Stuffing Box	Cast Iron	ASTM A126 CL.B



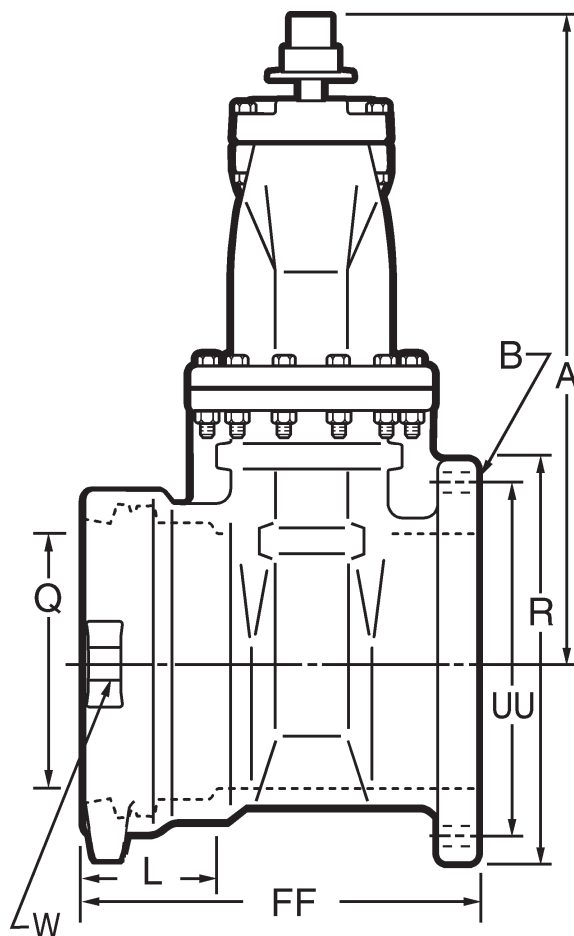
* Cast iron discs with rolled-in bronze facings; cast iron top wedge nut with integrally cast bronze bushing.

**18" - 36" ASTM B584

14", 16" A-2361 D.I. RESILIENT WEDGE GATE VALVE - SL. x FL.

Mueller Co. 10.33

Rev. 2-06 Shaded area indicates change.



Dimensions

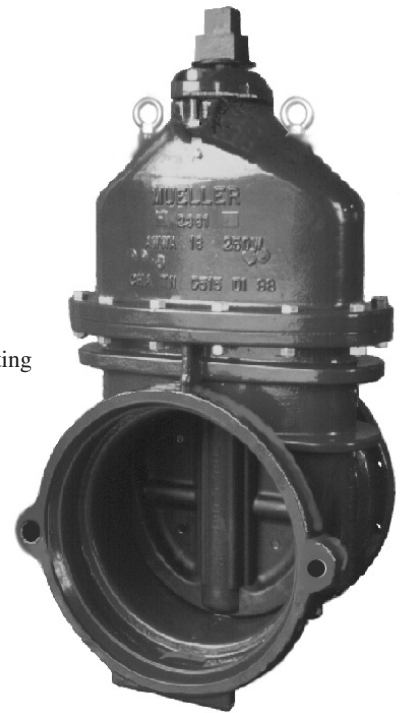
Dimension*	Nominal size	
	14"	16"
A	32.75	37.88
Q (bore)	14.38	16.00
W (distance between strapping lug holes across face of valve ends)	22.50	23.12
L	6.00	6.00
R	21.00	23.50
UU	18.75	21.25
B (number and size of holes)	12--1.12	16--1.12
FF	19.74	20.69
A - Spur Gear	38.50	46.78
A - Bevel Gear**	34.00	37.38
Turns to open (without gearing)	43.5	49
Turns to open (Spur gearing)	178	201
Turns to open (Bevel gearing)	198	221
Weight*	682	860

*All dimensions are in inches. All weights are in pounds and are approximate.

**Center line of operating nut to center line of valve.

Rev. 2-06. Shaded area indicates change.

- Catalog number–
A-2361-41 Slip-on† end (with gasket) x flange end
A-2361-43 Slip-on† end (less gasket) x flange end
- Sizes – 14", 16"
- Meets or exceeds all applicable requirements of ANSI/AWWA C515 Standard, UL Listed, FM Approved, and certified to ANSI/NSF 61.
- Slip-on ends fit plain end of classes 50 and 100 cast iron; ductile iron and AWWA C905 cast iron O.D. PVC
- Flanged end dimensions and drilling comply with ANSI B16.1, class 125
- Ductile iron body and bonnet with nominal 10 mils MUELLER® Pro-Gard™ Fusion Epoxy Coating interior and exterior surfaces
- Epoxy coating meets or exceeds all applicable requirements of ANSI/AWWA C550 Standard and is certified to ANSI/NSF 61
- Ductile iron wedge, symmetrical & fully encapsulated with molded rubber; no exposed iron
- Non-rising stem (NRS)
- Triple O-ring seal stuffing box (2 upper & 1 lower O-ring)
- 2" square wrench nut (optional bevel or spur gearing) – open left or open right
- 250 psig (1723 kPa) maximum working pressure, 500 psig (3447 kPa) static test pressure
- UL Listed, FM Approved – 250 psig (1723 kPa)



A-2361-43

†Design and dimensions of the joint are manufactured under license of U.S. Pipe and Foundry Company.

Options

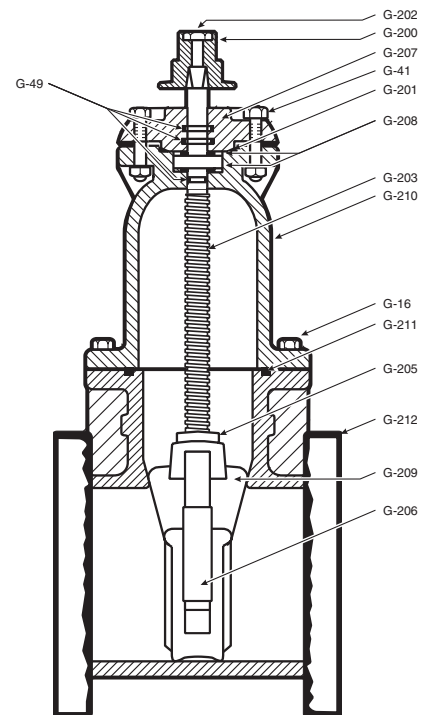
See page 10.40 for more information on Resilient Wedge Gate Valve options

- Position indicators
- Stainless steel fasteners: Type 304, Type 316
- Spur or bevel geared actuator
- ASTM B98-C66100/H02 stem
- Handwheel

Resilient wedge gate valve parts

Catalog Part No.	Description	Material	Material standard
G-16	Bonnet Bolts & Nuts	Carbon Steel	ASTM A307 Grade B, Zinc Plated
G-41	Stuffing Box Bolts & Nuts	Carbon Steel	ASTM A307 Grade B, Zinc Plated
G-49	Stem O-rings (3)	Rubber	
G-200	Wrench Nut Cap Screw	Carbon Steel	ASTM A307 Grade B, Zinc Plated
G-201	Stuffing Box Seal	Rubber	
G-202	Wrench Nut	Cast Iron	ASTM A126 CL.B
G-203	Stem	Bronze	ASTM B138
G-204	Hand Wheel (not shown)	Cast Iron	ASTM A126 CL.B
G-205	Stem Nut	Bronze	ASTM B62
G-206	Guide Cap Bearings	Celcon	
G-207	Stuffing Box	Ductile Iron	ASTM A536
G-208	Anti-friction Washers (2)	Brass	
G-209	Wedge, Rubber Encapsulation	Ductile Iron* SBR	ASTM A536 --
G-210	Bonnet	Ductile Iron	ASTM A536
G-211	Bonnet O-ring	Rubber	
G-212	Body	Ductile Iron	ASTM A536

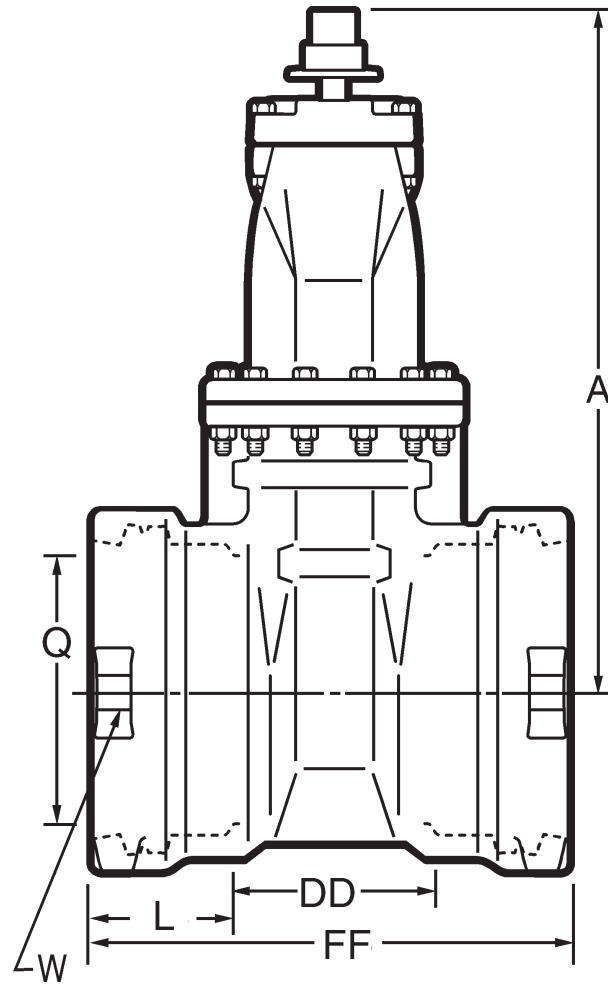
* Fully encapsulated in molded rubber with no iron exposed



14", 16" A-2361 D.I. RESILIENT WEDGE GATE VALVE - SL. x SL.

Mueller Co. 10.31

Rev. 2-06 Shaded area indicates change.



Dimensions

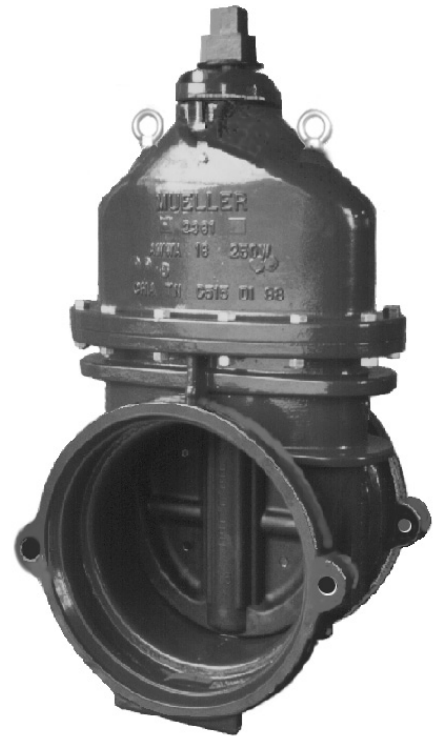
Dimension*	Nominal size	
	14"	16"
A	32.75	37.88
Q (bore)	14.38	16.00
W (distance between strapping lug holes across face of valve ends)	22.50	23.12
FF	24.43	25.39
L	6.00	6.00
DD	12.43	13.39
A - Spur Gear	38.50	46.78
A - Bevel Gear**	34.00	37.38
Turns to open (without gearing)	43.5	49
Turns to open (Spur gearing)	178	201
Turns to open (Bevel gearing)	198	221
Weight*	682	860

*All dimensions are in inches. All weights are in pounds and are approximate.

**Center line of operating nut to center line of valve.

Rev. 2-06. Shaded area indicates change.

- Catalog number--
A-2361-38 Slip-on† ends with gasket
A-2361-40 Slip-on† ends less gasket
- Sizes – 14", 16"
- Meets or exceeds all applicable requirements of ANSI/AWWA C515 Standard, UL Listed, FM Approved, and certified to ANSI/NSF 61.
- Slip-on ends fit plain end of classes 50 and 100 cast iron; ductile iron and AWWA C905 cast iron O.D. PVC
- Ductile iron body with nominal 10 mils MUELLER® Pro-Gard™ Fusion Epoxy Coating interior and exterior surfaces
- Epoxy coating meets or exceeds all applicable requirements of ANSI/AWWA C550 Standard and is certified to ANSI/NSF 61
- Ductile iron wedge, symmetrical & fully encapsulated with molded rubber; no exposed iron
- Non-rising stem (NRS)
- Triple O-ring seal stuffing box (2 upper & 1 lower O-ring)
- 2" square wrench nut (optional bevel or spur gearing) – open left or open right
- 250 psig (1723 kPa) maximum working pressure, 500 psig (3447 kPa) static test pressure
- UL Listed, FM Approved – 250 psig (1723 kPa)



A-2361-40

†Design and dimensions of the joint are manufactured under license of U.S. Pipe and Foundry Company.

Options

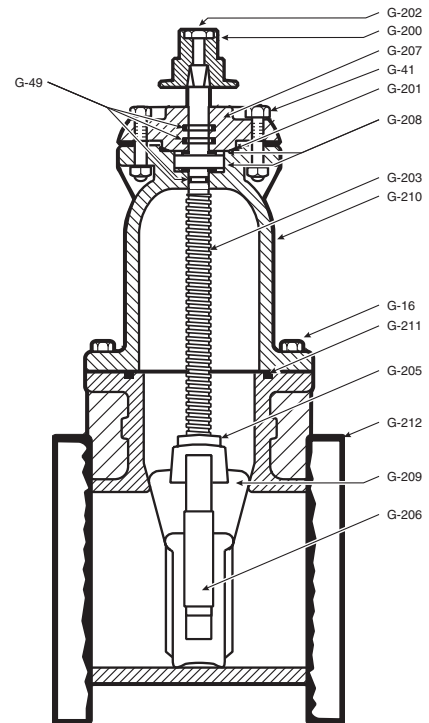
See page 10.40 for more information on Resilient Wedge Gate Valve options

- Position indicators
- Stainless steel fasteners: Type 304, Type 316
- Spur or bevel geared actuator
- ASTM B98-C66100/H02 stem
- Handwheel

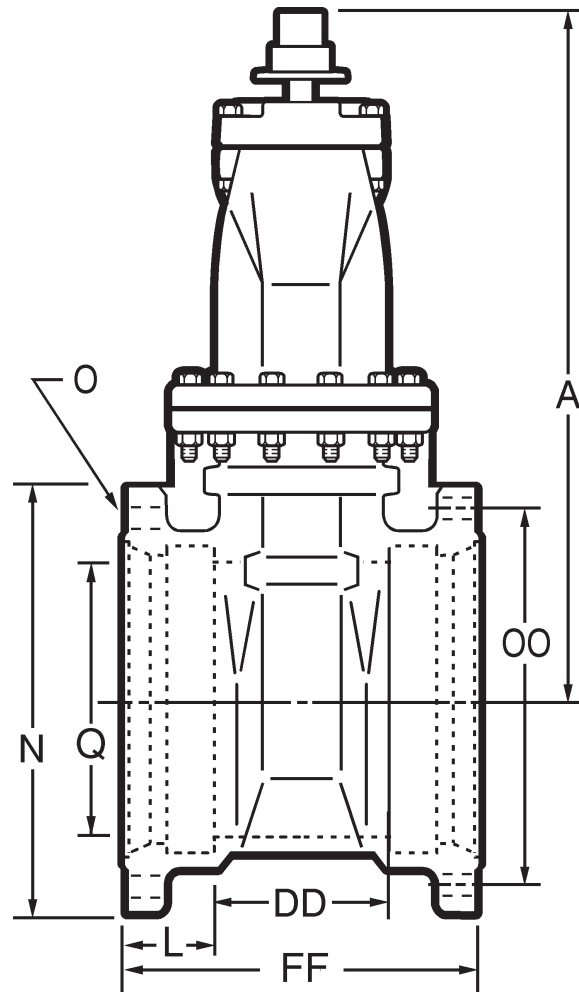
Resilient wedge gate valve parts

Catalog Part No.	Description	Material	Material standard
G-16	Bonnet Bolts & Nuts	Carbon Steel	ASTM A307 Grade B, Zinc Plated
G-41	Stuffing Box Bolts & Nuts	Carbon Steel	ASTM A307 Grade B, Zinc Plated
G-49	Stem O-rings (3)	Rubber	
G-200	Wrench Nut Cap Screw	Carbon Steel	ASTM A307 Grade B, Zinc Plated
G-201	Stuffing Box Seal	Rubber	
G-202	Wrench Nut	Cast Iron	ASTM A126 CL.B
G-203	Stem	Bronze	ASTM B138
G-204	Hand Wheel (not shown)	Cast Iron	ASTM A126 CL.B
G-205	Stem Nut	Bronze	ASTM B62
G-206	Guide Cap Bearings	Celcon	
G-207	Stuffing Box	Ductile Iron	ASTM A536
G-208	Anti-friction Washers (2)	Brass	
G-209	Wedge, Rubber Encapsulation	Ductile Iron* SBR	ASTM A536 --
G-210	Bonnet	Ductile Iron	ASTM A536
G-211	Bonnet O-ring	Rubber	
G-212	Body	Ductile Iron	ASTM A536

* Fully encapsulated in molded rubber with no iron exposed



14"-48" A-2361 D.I. RESILIENT WEDGE GATE VALVE - M.J. x M.J.



Dimensions

Dimension*	Nominal Size								
	14"	16"	18"	20"	24"	30" †	36" †	42" †	48" †
A	32.75	37.88	44.19	48.25	53.88	See A for Spur or Bevel Gear			
FF	19.75	19.75	21.00	21.50	23.50	33.50	37.50	42.75	45.00
L	3.50	3.50	3.50	3.50	3.50	4.00	4.00	4.00	4.00
N	20.25	22.56	24.76	27.01	31.51	39.53	46.41	53.53	60.41
O (number and size of holes for MJ)	10--.88	12--.88	12--.88	14--.88	16--.88	20--1.125	24--1.125	28--1.38	32--1.38
Q (bore)	14.38	16.00	18.38	20.38	24.38	30.38	36.38	42.38	48.38
OO (bolt circle diameter for MJ)	18.75	21.00	23.25	25.50	30.00	36.88	43.75	50.62	57.50
A - Spur Gear	38.50	43.58	49.41	53.01	59.51	70.81	83.08	97.84	109.70
A - Bevel Gear**	34.00	37.38	44.50	47.69	54.06	64.93	77.19	90.75	102.61
Turns to open (without gearing)	43.5	49	57	63	75	-	-	-	-
Turns to open (Spur gearing)	178	201	234	258	308	381	455	524	596
Turns to open (Bevel gearing)	87 † †	98 † †	228 † †	252 † †	300 † †	372 † †	444 † †	524 † †	596 † †
Weight*	650	931	1222	1494	2352	5100	8400	13300	19700

*All dimensions are in inches. All weights are in pounds and are approximate. Weights for 30"-48" valves are with gearing; for all others without gearing.

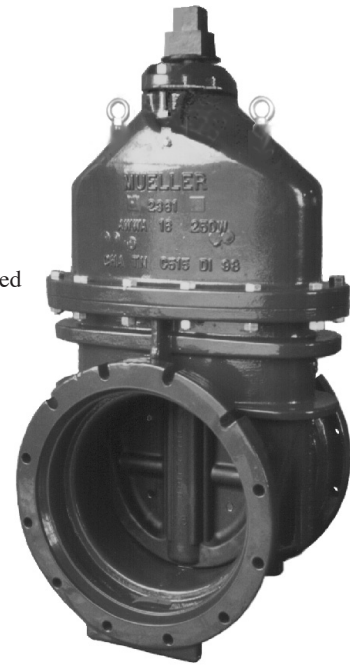
**Center line of operating nut to center line of valve.

†Spur or Bevel Gear must be used with 30", 36", 42", 48" valves.

††Turns shown for Bevel gearing. Valves with Bevel gearing: 14" and 16" - 2:1 ratio, 18"-48" - 4:1 ratio.

Rev. 11-10 Shaded area indicates change.

- Catalog number–
A-2361-20 Mechanical joint ends (with accessories unassembled)
A-2361-23 Mechanical joint ends (less accessories)
- Sizes – 14", 16", 18", 20", 24", 30", 36", 42", 48"
- Meets or exceeds all applicable requirements of ANSI/AWWA C515 Standard, UL Listed, FM Approved, and certified to ANSI/NSF 61.
- Mechanical joint end complies with ANSI/AWWA C111 Standard.
- Ductile Iron body and bonnet with nominal 10 mils MUELLER® Pro-Gard™ Fusion Epoxy coated interior and exterior surfaces; 42" and 48" valves coated with Mueller HP Epoxy coating.
- Epoxy coating meets or exceeds all applicable requirements of ANSI/AWWA C550 Standard and is certified to ANSI/NSF 61.
- Ductile Iron wedge, symmetrical & fully encapsulated with molded rubber; no exposed iron.
- Non-rising stem (NRS)
- Triple O-ring seal stuffing box (2 upper & 1 lower O-ring).
- 2" square wrench nut (optional bevel or spur gearing) – open left or open right. 30", 36", 42", 48" require a Spur Gear or Bevel Gear
- 250 psig (1723 kPa) maximum working pressure, 500 psig (3447 kPa) static test pressure
- 14" and 16" sizes – UL Listed, FM Approved: 250 psig (1723 kPa)
- 18", 20" and 24" sizes – UL Listed: 175 psig (1207 kPa)



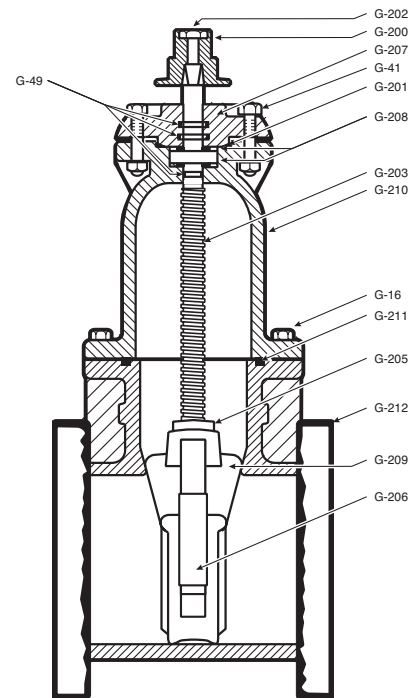
Options

See page 10.40 for more information on Resilient Wedge Gate Valve options

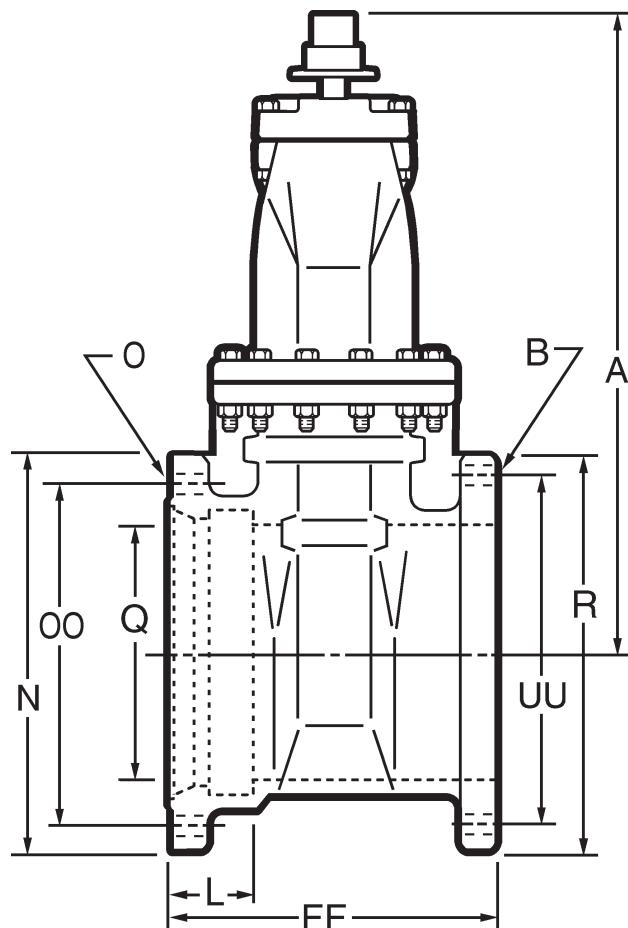
- Position indicators
- ASTM B98-C66100/H02 stem: 14"-16" ASTM B763-C99500: 18"-48"
- Stainless steel fasteners: Type 304, Type 316
- Bypass 18"-48" (2" on 18"-20"; 2.5" on 24" 3" on 30"-36", 4" on 42"-48")
- Handwheel
- Spur or bevel geared actuator

Resilient wedge gate valve parts

Catalog Part No.	Description	Material	Material standard
G-16	Bonnet Bolts & Nuts	Carbon Steel	ASTM A307 Grade B, Zinc Plated
G-41	Stuffing Box Bolts & Nuts	Carbon Steel	ASTM A307 Grade B, Zinc Plated
G-49	Stem O-rings (3)	Rubber	
G-200	Wrench Nut Cap Screw	Carbon Steel	ASTM A307 Grade B, Zinc Plated
G-201	Stuffing Box Seal	Rubber	
G-202	Wrench Nut	Cast Iron	ASTM A126 CL.B
G-203	Stem	Bronze	ASTM B138**
G-204	Hand Wheel (not shown)	Cast Iron	ASTM A126 CL.B
G-205	Stem Nut	Bronze	ASTM B62
G-206	Guide Cap Bearings	Celcon	
G-207	Stuffing Box	Ductile Iron	ASTM A536
G-208	Anti-friction Washers (2)	Brass	
G-209	Wedge, Rubber Encapsulation	Ductile Iron* SBR†	ASTM A536 --
G-210	Bonnet	Ductile Iron	ASTM A536
G-211	Bonnet O-ring	Rubber	
G-212	Body	Ductile Iron	ASTM A536



14"-48" A-2361 D.I. RESILIENT WEDGE GATE VALVE - M.J. x F.L.



Dimensions

Dimension*	Nominal Size									
	14"	16"	18"	20"	24"	30" †	36" †	42" †	48" †	
A	32.75	37.88	44.19	48.25	53.88	See A for Spur or Bevel Gear				
L	3.50	3.50	3.50	3.50	3.50	4.00	4.00	4.00	4.00	
N	20.25	22.56	24.76	27.25	31.51	39.53	46.41	53.53	60.41	
O (number and size of holes for MJ)	10--.88	12--.88	12--.88	14--.88	16--.88	20--1.125	24--1.125	28--1.38	32--1.38	
Q (bore)	14.38	16.00	18.38	20.38	24.38	30.38	36.38	42.38	48.38	
OO (bolt circle diameter for MJ)	18.75	21.00	23.25	25.50	30.00	36.88	43.75	50.62	57.50	
R	21.00	23.50	25.00	27.50	32.00	38.75	46.00	53.00	59.50	
UU (bolt circle diameter)	18.75	21.25	22.75	25.00	29.50	36.00	42.75	49.50	56.00	
FF	17.41	17.91	19.25	19.75	21.75	29.75	33.75	40.38	43.79	
B (number and size of holes for FL)	12--1.12	16--1.12	16--1.25	20--1.25	20--1.38	28--1.38	32--1.63	36--1.63	44-1.63	
A - Spur Gear	38.50	43.58	49.41	53.01	59.51	70.81	83.08	97.84	109.70	
A - Bevel Gear**	34.00	37.38	44.50	47.69	54.06	64.93	77.19	90.75	102.61	
Turns to open (without gearing)	43.5	49	57	63	75	-	-	-	-	
Turns to open (Spur gearing)	178	201	234	258	308	381	455	524	596	
Turns to open (Bevel gearing)	87 † †	98 † †	228 † †	252 † †	300 † †	372 † †	444 † †	524 † †	596 † †	
Weight*	655	875	1226	1500	2375	5100	8400	13300	19700	

*All dimensions are in inches. All weights are in pounds and are approximate. Weights for 30"-48" valves are with gearing; for all others without gearing.

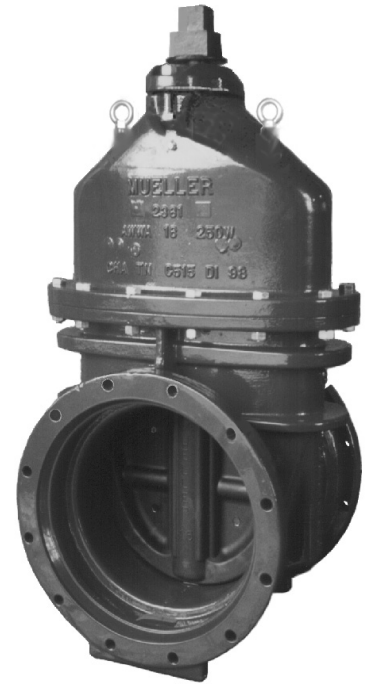
**Center line of operating nut to center line of valve.

†Spur or Bevel Gear must be used with 30", 36", 42", 48" valves.

††Turns shown for Bevel gearing. Valves with Bevel gearing: 14" and 16" - 2:1 ratio, 18"-48" - 4:1 ratio.

Rev. 11-10 Shaded area indicates change.

- Catalog number–
A-2361-16 mechanical joint x flanged ends (with accessories unassembled)
A-2361-19 mechanical joint x flanged ends (less accessories)
- Sizes – 14", 16", 18", 20", 24", 30", 36", 42", 48"
- Meets or exceeds all applicable requirements of ANSI/AWWA C515 Standard, UL Listed, FM Approved, and certified to ANSI/NSF 61.
- Flanged end dimensions and drilling comply with ANSI B16.1, class 125
- Mechanical joint end complies with ANSI/AWWA C111 Standard
- Ductile iron body and bonnet with nominal 10 mils MUELLER® Pro-Gard™ Fusion Epoxy coated interior and exterior surfaces; 42" and 48" valves coated with Mueller HP Epoxy coating.
- Epoxy coating meets or exceeds all applicable requirements of ANSI/AWWA C550 Standard and is certified to ANSI/NSF 61.
- Ductile iron wedge, symmetrical & fully encapsulated with molded rubber; no exposed iron.
- Non-rising stem (NRS)
- Triple O-ring seal stuffing box (2 upper & 1 lower O-ring)
- 2" square wrench nut (optional bevel or spur gearing) – open left or open right
 30" - 48" require a Spur Gear or Bevel Gear
- 250 psig (1723 kPa) maximum working pressure, 500 psig (3447 kPa) static test pressure
- 14" and 16" sizes – UL Listed, FM Approved: 250 psig (1723 kPa)
- 18", 20" and 24" sizes – UL Listed: 175 psig (1207 kPa)



A-2361-19

Options

See page 10.40 for more information on Resilient Wedge Gate Valve options

- Position indicators
- ASTM B98-C66100/H02 stem: 14"-16"
- ASTM B763-C99500: 18"- 48"
- Stainless steel fasteners: Type 304, Type 316
- Bypass 18" - 48" (2" on 18"-20"; 2.5" on 24"; 3" on 30"- 36", 4" on 42"-48")
- Handwheel
- Spur or bevel geared actuator

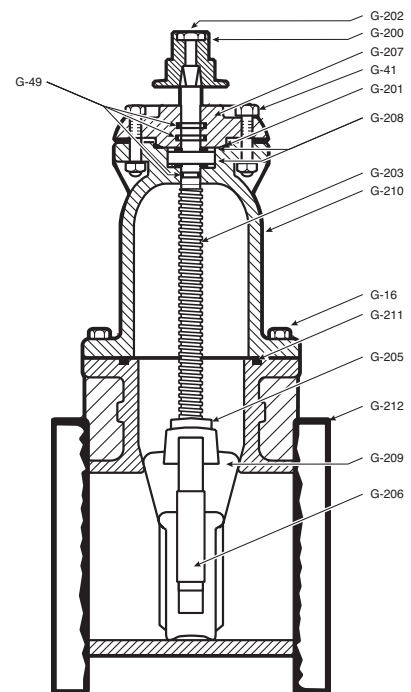
Resilient wedge gate valve parts

Catalog Part No.	Description	Material	Material standard
G-16	Bonnet Bolts & Nuts	Carbon Steel	ASTM A307 Grade B, Zinc Plated
G-41	Stuffing Box Bolts & Nuts	Carbon Steel	ASTM A307 Grade B, Zinc Plated
G-49	Stem O-rings (3)	Rubber	
G-200	Wrench Nut Cap Screw	Carbon Steel	ASTM A307 Grade B, Zinc Plated
G-201	Stuffing Box O-Ring Seal	Rubber	
G-202	Wrench Nut	Cast Iron	ASTM A126 CL.B
G-203	Stem	Bronze	ASTM B138**
G-204	Hand Wheel (not shown)	Cast Iron	ASTM A126 CL.B
G-205	Stem Nut	Bronze	ASTM B62
G-206	Guide Cap Bearings	Celcon	
G-207	Stuffing Box	Ductile Iron	ASTM A536
G-208	Anti-friction Washers (2)	Brass	
G-209	Wedge, Rubber Encapsulated	Ductile Iron* SBR†	ASTM A536 --
G-210	Bonnet	Ductile Iron	ASTM A536
G-211	Bonnet O-ring	Rubber	
G-212	Body	Ductile Iron	ASTM A536

* Fully encapsulated in molded rubber with no iron exposed

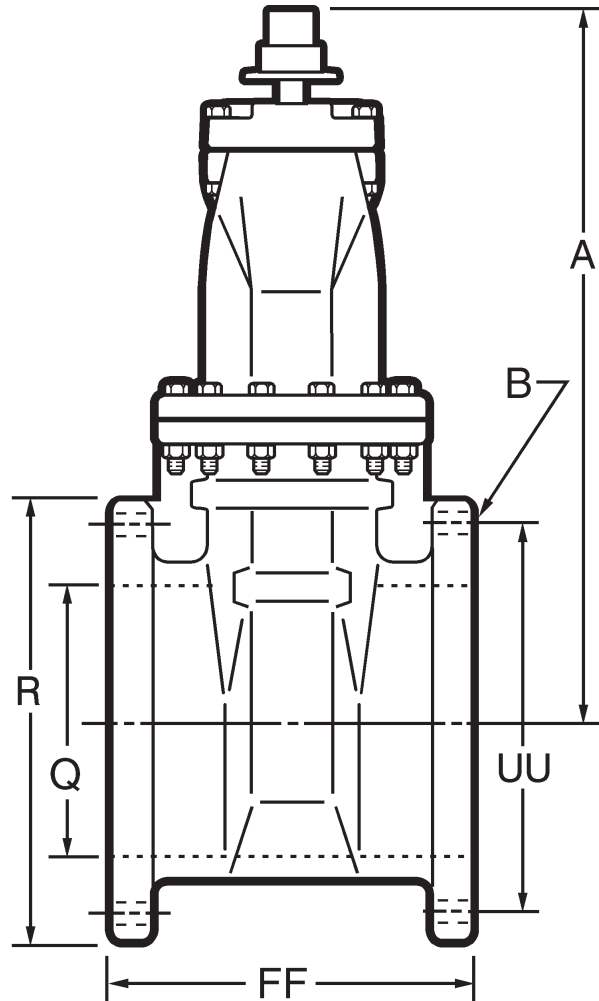
**18" - 48" ASTM B584

†18" - 48" EPDM standard



SEE PAGE 10.43 FOR ORDERING INSTRUCTIONS

14"-48" A-2361 D.I. RESILIENT WEDGE GATE VALVE - FL. x FL.



Dimensions

Dimension*	Nominal Size								
	14"	16"	18"	20"	24"	30" †	36" †	42" †	48" †
A	32.75	37.88	44.19	48.25	53.88	See A for Spur or Bevel Gear			
R	21.00	23.50	25.00	27.50	32.00	38.75	46.00	53.00	59.50
FF	15.06	16.06	17.00	18.00	20.00	26.00	30.00	38.00	43.00
Q (bore)	14.38	16.00	18.38	20.38	24.38	30.38	36.38	42.38	48.38
UU (bolt circle diameter)	18.75	21.25	22.75	25.00	29.50	36.00	42.75	49.50	56.00
B (number and size of holes)	12--1.12	16--1.12	16--1.25	20--1.25	20--1.38	28--1.38	32--1.63	36--1.63	44-1.63
A - Spur Gear	38.50	43.58	49.41	53.01	59.51	70.81	83.08	97.84	109.70
A - Bevel Gear**	34.00	37.38	44.50	47.69	54.06	64.93	77.19	90.75	102.61
Turns to open (without gearing)	43.5	49	57	63	75	-	-	-	-
Turns to open (Spur gearing)	178	201	234	258	308	381	455	524	596
Turns to open (Bevel gearing)	87 † †	98 † †	228 † †	252 † †	300 † †	372 † †	444 † †	524 † †	596 † †
Weight*	659	841	1230	1507	2398	5100	8400	13300	19700

*All dimensions are in inches. All weights are in pounds and are approximate. Weights for 30"-48" valves are with gearing; for all others without gearing.

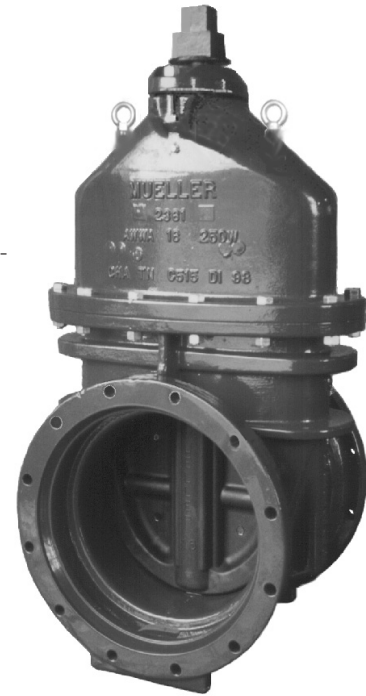
**Center line of operating nut to center line of valve.

†Spur or Bevel Gear must be used with 30", 36", 42", 48" valves.

††Turns shown for Bevel gearing. Valves with Bevel gearing: 14" and 16" - 2:1 ratio, 18"-48" - 4:1 ratio.

Rev. 11-10 Shaded area indicates change.

- Catalog number—
A-2361-6 flanged ends
- Sizes – 14", 16", 18", 20", 24", 30", 36", 42", 48"
- Meets or exceeds all applicable requirements of ANSI/AWWA C515 Standard, UL Listed, FM Approved, and certified to ANSI/NSF 61.
- Flanged end dimensions and drilling comply with ANSI B16.1, class 125
- Ductile iron body and bonnet with nominal 10 mils MUELLER® Pro-Gard™ Fusion Epoxy coating interior and exterior surfaces; 42" and 48" valves coated with Mueller HP Epoxy coating.
- Epoxy coating meets or exceeds all applicable requirements of ANSI/AWWA C550 Standard and is certified to ANSI/NSF 61.
- Ductile iron wedge, symmetrical & fully encapsulated with molded rubber; no exposed iron.
- Non-rising stem (NRS)
- Triple O-ring seal stuffing box (2 upper & 1 lower O-ring)
- 2" square wrench nut (optional bevel or spur gearing) – open left or open right
30" - 48" require a Spur Gear or Bevel Gear
- 250 psig (1723 kPa) maximum working pressure, 500 psig (3447 kPa) static test pressure
- 14" and 16" sizes – UL Listed, FM Approved: 250 psig (1723 kPa)
- 18", 20" and 24" sizes – UL Listed: 175 psig (1207 kPa)



A-2361-6

Options

See page 10.40 for more information on Resilient Wedge Gate Valve options

- Position indicators
- ASTM B98-C66100/H02 stem: 14"-16"
- ASTM B763-C99500: 18"- 48"
- Stainless steel fasteners: Type 304, Type 316
- Bypass 18"- 48" (2" on 18"-20"; 2.5" on 24"; 3" on 30"- 36", 4" on 42"-48")
- Handwheel
- Spur or bevel geared actuator

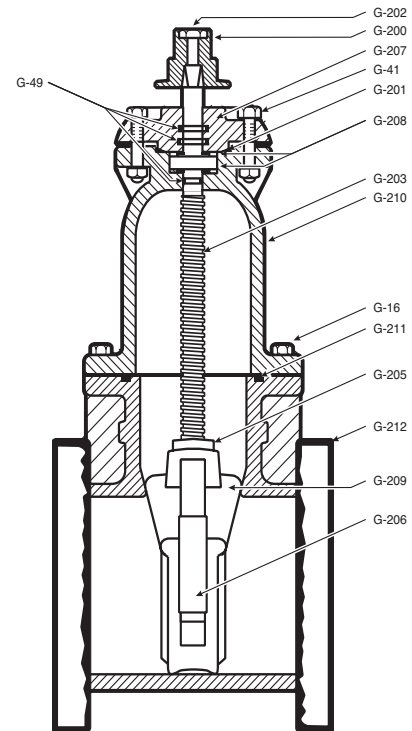
Resilient wedge gate valve parts

Catalog Part No.	Description	Material	Material standard
G-16	Bonnet Bolts & Nuts	Carbon Steel	ASTM A307 Grade B, Zinc Plated
G-41	Stuffing Box Bolts & Nuts	Carbon Steel	ASTM A307 Grade B, Zinc Plated
G-49	Stem O-rings (3)	Rubber	
G-200	Wrench Nut Cap Screw	Carbon Steel	ASTM A307 Grade B, Zinc Plated
G-201	Stuffing Box O-Ring Seal	Rubber	
G-202	Wrench Nut	Cast Iron	ASTM A126 CL.B
G-203	Stem	Bronze	ASTM B138**
G-204	Hand Wheel (not shown)	Cast Iron	ASTM A126 CL.B
G-205	Stem Nut	Bronze	ASTM B62
G-206	Guide Cap Bearings	Celcon	
G-207	Stuffing Box	Ductile Iron	ASTM A536
G-208	Anti-friction Washers (2)	Brass	
G-209	Wedge, Rubber Encapsulation	Ductile Iron* SBR†	ASTM A536 --
G-210	Bonnet	Ductile Iron	ASTM A536
G-211	Bonnet O-ring	Rubber	
G-212	Body	Ductile Iron	ASTM A536

* Fully encapsulated in molded rubber with no iron exposed

**18" - 48" ASTM B584

†18" - 48" EPDM standard

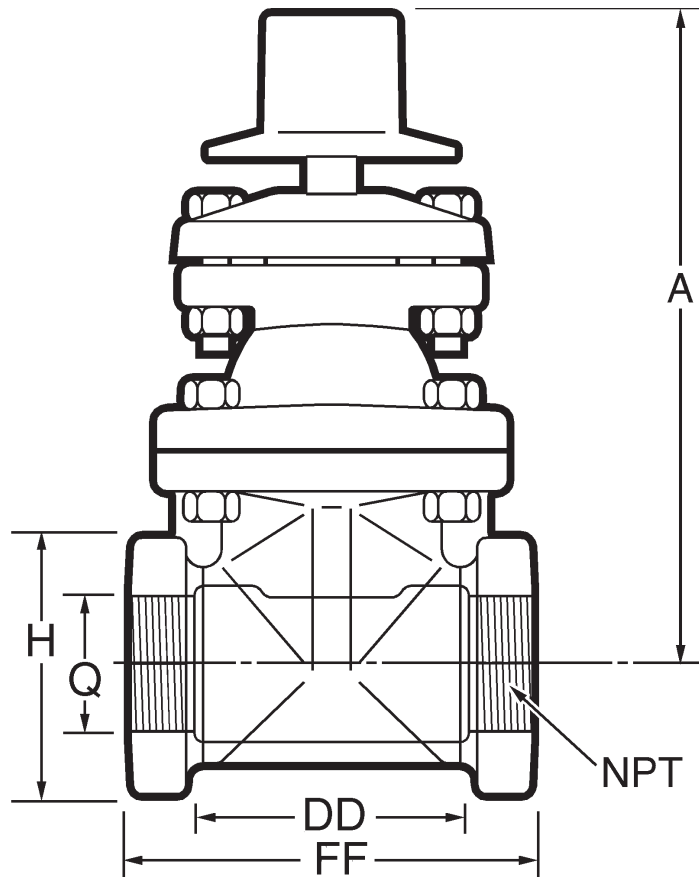


SEE PAGE 10.43 FOR ORDERING INSTRUCTIONS

2", 2-1/2" & 3" A-2360 RESILIENT WEDGE GATE VALVE - THD. x THD.

Mueller Co. 10.23

Rev. 2-06



Dimensions

Dimension*	Nominal size		
	2"	2-1/2"	3"
A	9.88	12.38	12.38
FF	5.88	5.88	6.88
Q (bore)	2.30	2.80	3.30
H (hex — across flats)	3.88	4.25	5.00
DD	4.12	4.12	5.12
Turns to open	8	11	11
Weight*	31	60	62

*All dimensions are in inches. All weights are in pounds and are approximate.

Rev. 2-06. Shaded area indicates change.

- Catalog number–
A-2360-8 threaded ends
- Sizes – 2", 2-1/2", 3"
- Meets or exceeds all applicable requirements of ANSI/AWWA C509 Standard, UL Listed, FM Approved, and certified to ANSI/NSF 61.
- Threaded end dimensions comply with ANSI B2.1
- Iron body with nominal 10 mils MUELLER® Pro-Gard™ Epoxy Fusion Coated interior and exterior surfaces
- Epoxy coating meets or exceeds all applicable requirements of ANSI/AWWA C550 Standard and is certified to ANSI/NSF 61
- Iron wedge, symmetrical & fully encapsulated with molded rubber; no exposed iron
- Non-rising stem (NRS)
- Triple O-ring seal stuffing box (2 upper & 1 lower O-rings)
- 2" square wrench nut (optional handwheel available) – open left or open right
- 250 psig (1723 kPa) maximum working pressure, 500 psig (3447 kPa) static test pressure
- 3" size – UL Listed, FM Approved: 200 psig (1379 kPa)



A-2360-8

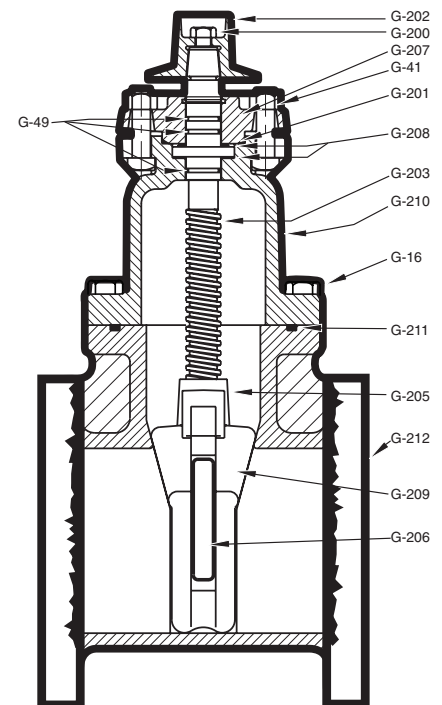
Options

See page 10.40 for more information on Resilient Wedge Gate Valve options

- Position indicators
- Stainless steel fasteners: Type 316
- ASTM B98-C66100/H02 stem
- Handwheel

Resilient wedge gate valve parts

Catalog Part No.	Description	Material	Material standard
G-16	Bonnet Bolts & Nuts	Stainless Steel	Type 304
G-41	Stuffing Box Bolts & Nuts	Stainless Steel	Type 304
G-49	Stem O-rings (3)	Rubber	
G-200	Wrench Nut Cap Screw	Stainless Steel	Type 304
G-201	Stuffing Box Seal	Rubber	
G-202	Wrench Nut	Cast Iron	ASTM A126 CL.B
G-203	Stem	Bronze	ASTM B138
G-204	Hand Wheel (not shown)	Cast Iron	ASTM A126 CL.B
G-205	Stem Nut	Bronze	ASTM B62
G-206	Guide Cap Bearings	Celcon	
G-207	Stuffing Box	Cast iron	ASTM A126 CL.B
G-208	Anti-friction Washers (2)	Celcon	
G-209	Wedge, Rubber Encapsulation	Cast Iron* SBR	ASTM A126 CL.B --
G-210	Bonnet	Cast Iron	ASTM A126 CL.B
G-211	Bonnet Gasket	Neoprene	
G-212	Body	Cast Iron	ASTM A126 CL.B

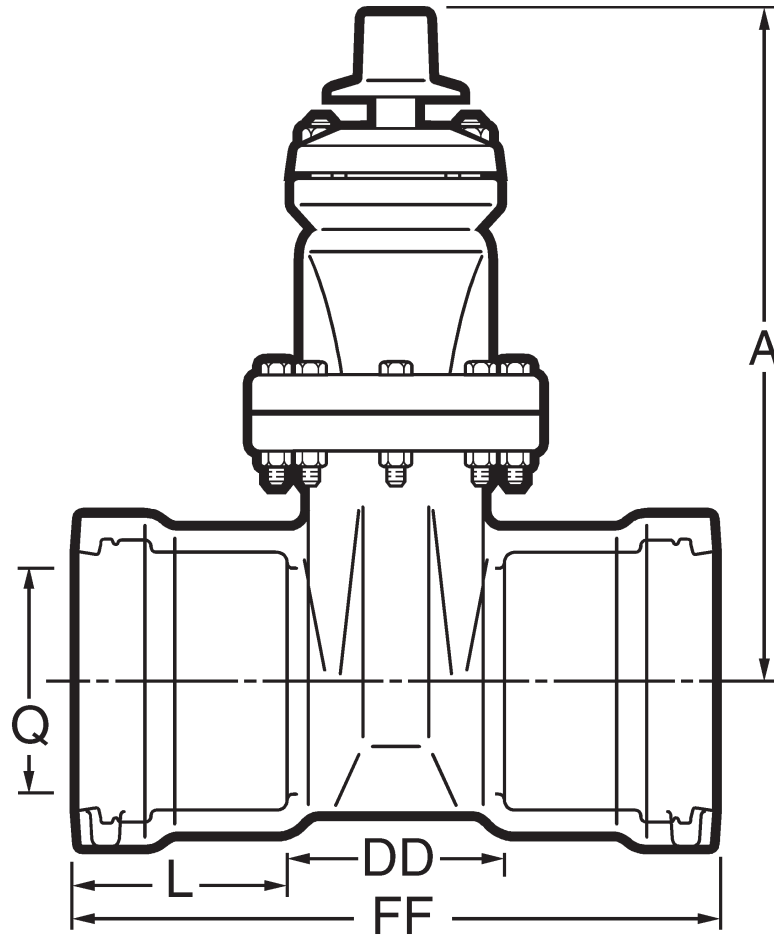


* Fully encapsulated in molded rubber with no iron exposed

2"-8" A-2360 RESILIENT WEDGE GATE VALVE - RAD. x RAD.

Mueller Co. 10.21

Rev. 2-06



Dimensions

Dimension*	Nominal size					
	2"	2-1/2"	3"	4"	6"	8"
A	9.88	12.38	12.38	14.19	18.00	21.50
FF	10.25	10.75	11.75	13.43	15.91	18.40
L	3.50	3.69	4.12	4.46	5.46	6.20
Q (bore)	2.30	2.80	3.30	4.30	6.30	8.30
DD	3.25	3.37	3.51	4.51	4.99	6.00
Turns to open	8	11	11	14	20.5	26.5
Weight*	35	65	67	96	155	260

*All dimensions are in inches. All weights are in pounds and are approximate.

Rev. 2-06. Shaded area indicates change.

- Catalog number—
A-2360-37 radial compression ends
- Sizes – 2", 2-1/2", 3", 4", 6", 8"
- Meets or exceeds all applicable requirements of ANSI/AWWA C509 Standard, UL Listed, FM Approved, and certified to ANSI/NSF 61.
- Radial compression ends fit IPS PVC plastic pipe
- Iron body with nominal 10 mils MUELLER® Pro-Gard™ Epoxy Fusion Coated interior and exterior surfaces
- Epoxy coating meets or exceeds all applicable requirements of ANSI/AWWA C550 Standard and is certified to ANSI/NSF 61
- Iron wedge, symmetrical & fully encapsulated with molded rubber; no exposed iron
- Non-rising stem (NRS)
- Triple O-ring seal stuffing box (2 upper & 1 lower O-rings), with fourth O-ring serving as dirt seal††
- 2" square wrench nut (optional handwheel available) – open left or open right
- 250 psig (1723 kPa) maximum working pressure, 500 psig (3447 kPa) static test pressure
- 2 1/2" - 8" sizes – UL Listed, FM Approved: 200 psig (1379 kPa)

††Dirt seal on 4"-8" valves



A-2360-37

Options

See page 10.40 for more information on Resilient Wedge Gate Valve options

- Position indicators
- Stainless steel fasteners: Type 316
- ASTM B98-C66100/H02 stem
- Handwheel

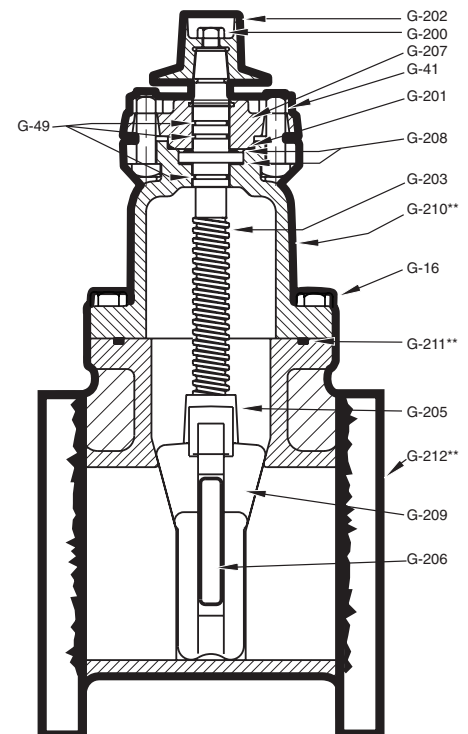
Resilient wedge gate valve parts

Catalog Part No.	Description	Material	Material standard
G-16	Bonnet Bolts & Nuts	Stainless Steel	Type 304
G-41	Stuffing Box Bolts & Nuts	Stainless Steel	Type 304
G-49	Stem O-rings (3)	Rubber	
G-200	Wrench Nut Cap Screw	Stainless Steel	Type 304
G-201	Stuffing Box Seal	Rubber	
G-202	Wrench Nut	Cast Iron	ASTM A126 CL.B
G-203	Stem	Bronze	ASTM B138
G-204	Hand Wheel (not shown)	Cast Iron	ASTM A126 CL.B
G-205	Stem Nut	Bronze	ASTM B62
G-206	Guide Cap Bearings	Celcon	
G-207	Stuffing Box dirt seal††	Cast iron Rubber	ASTM A126 CL.B --
G-208	Anti-friction Washers (2)	Celcon	
G-209	Wedge, Rubber Encapsulation	Cast Iron* SBR	ASTM A126 CL.B --
G-210**	Bonnet	Cast Iron	ASTM A126 CL.B
G-211**	Bonnet O-ring	Nitrile	
G-212**	Body	Cast Iron	ASTM A126 CL.B

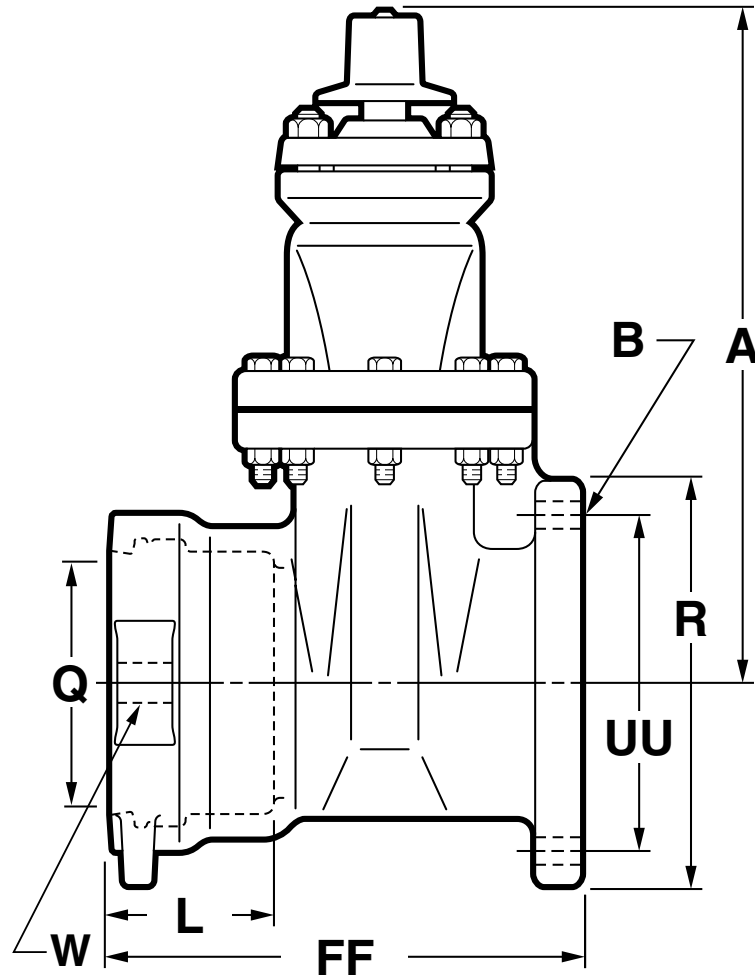
* Fully encapsulated in molded rubber with no iron exposed

** Previous to 1999 these parts on 4"-12" valves were designed with a gasket instead of an O-ring and with additional bolts (2"-3" sizes retain neoprene gasket design affecting these parts). Confirm the type of seal when ordering a replacement gasket or O-ring.

††Dirt seal on 4"-8" valves



4"-12" A-2360 RESILIENT WEDGE GATE VALVE - SL. x FL.



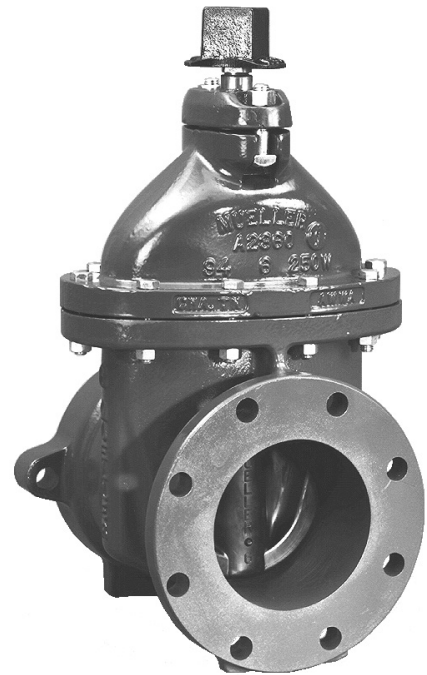
Dimensions

Dimension*	Nominal size				
	4"	6"	8"	10"	12"
A	14.19	18.00	21.50	25.50	28.62
Q (bore)	4.30	6.30	8.30	10.30	12.30
L	4.12	4.38	5.62	5.62	5.62
R	9.00	11.00	13.50	16.00	19.00
UU (bolt circle diameter for FL)	7.50	9.50	11.75	14.25	17.00
B (number and size of holes for FL)	8--.75	8--.88	8--.88	12--1.00	12--1.00
W (distance between strapping lug holes across face of valve ends)	8.62	10.62	13.12	16.38	18.12
FF	10.91	12.66	14.69	15.72	16.31
Turns to open	14	20.5	26.5	33	38.5
Weight*	90	165	260	400	565

*All dimensions are in inches. All weights are in pounds and are approximate.

Rev. 9-09 Shaded area indicates change.

- Catalog number–
 - A-2360-41 Slip-on† end (with gasket) x flange end
 - A-2360-43 Slip-on† end (less gasket) x flange end
- Sizes – 4", 6", 8", 10", 12"
- Meets or exceeds all applicable requirements of ANSI/AWWA C509 Standard, UL Listed, FM Approved, and certified to ANSI/NSF 61.
- Slip-on ends fit plain end of classes 150, 200 and 250 cast iron, ductile iron and classes 150 and 200 cast iron O.D. PVC
- Flange end dimensions and drilling comply with ANSI B16.1, class 125
- Iron body with nominal 10 mils MUELLER® Pro-Gard™ Epoxy Fusion Coated interior and exterior surfaces
- Epoxy coating meets or exceeds all applicable requirements of ANSI/AWWA C550 Standard and is certified to ANSI/NSF 61
- Iron wedge, symmetrical & fully encapsulated with molded rubber; no exposed iron
- Non-rising stem (NRS)
- Triple O-ring seal stuffing box (2 upper & 1 lower O-rings), with fourth O-ring serving as dirt seal
- 2" square wrench nut (optional handwheel available) – open left or open right
- 250 psig (1723 kPa) maximum working pressure, 500 psig (3447 kPa) static test pressure
- UL Listed, FM Approved: 200 psig (1379 kPa)



A-2360-41

†Design and dimensions of the joint are manufactured under license of U.S. Pipe and Foundry Company.

Options

See page 10.40 for more information on Resilient Wedge Gate Valve options

- Position indicators
- ASTM B98-C66100/H02 stem
- Stainless steel fasteners: Type 316
- Handwheel

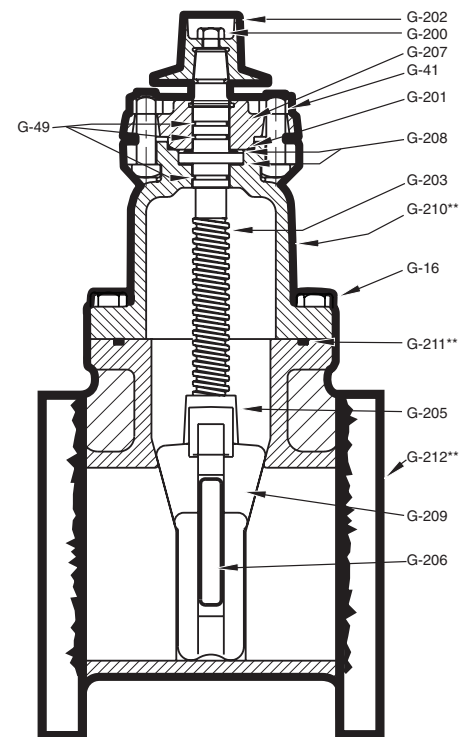
Resilient wedge gate valve parts

Catalog Part No.	Description	Material	Material Standard
G-16	Bonnet Bolts & Nuts	Stainless Steel	Type 304
G-41	Stuffing Box Bolts & Nuts	Stainless Steel	Type 304
G-49	Stem O-rings (3)	Rubber	
G-200	Wrench Nut Cap Screw	Stainless Steel	Type 304
G-201	Stuffing Box Seal	Rubber	
G-202	Wrench Nut	Cast Iron	ASTM A126 CL.B
G-203	Stem	Bronze	ASTM B138
G-204	Hand Wheel (not shown)	Cast Iron	ASTM A126 CL.B
G-205	Stem Nut	Bronze	ASTM B62
G-206	Guide Cap Bearings	Celcon	
G-207	Stuffing Box with dirt seal	Cast Iron, Rubber	ASTM A126 CL.B
G-208	Anti-fiction Washer (2)	Celcon	
G-209	Wedge, Rubber Encapsulation	Cast Iron* Rubber	ASTM A126 CL.B
G-210**	Bonnet	Cast Iron ♦	ASTM A126 CL.B
G-211**	Bonnet O-ring	Nitrite	
G-212**	Body	Cast Iron ♦	ASTM A126 CL.B

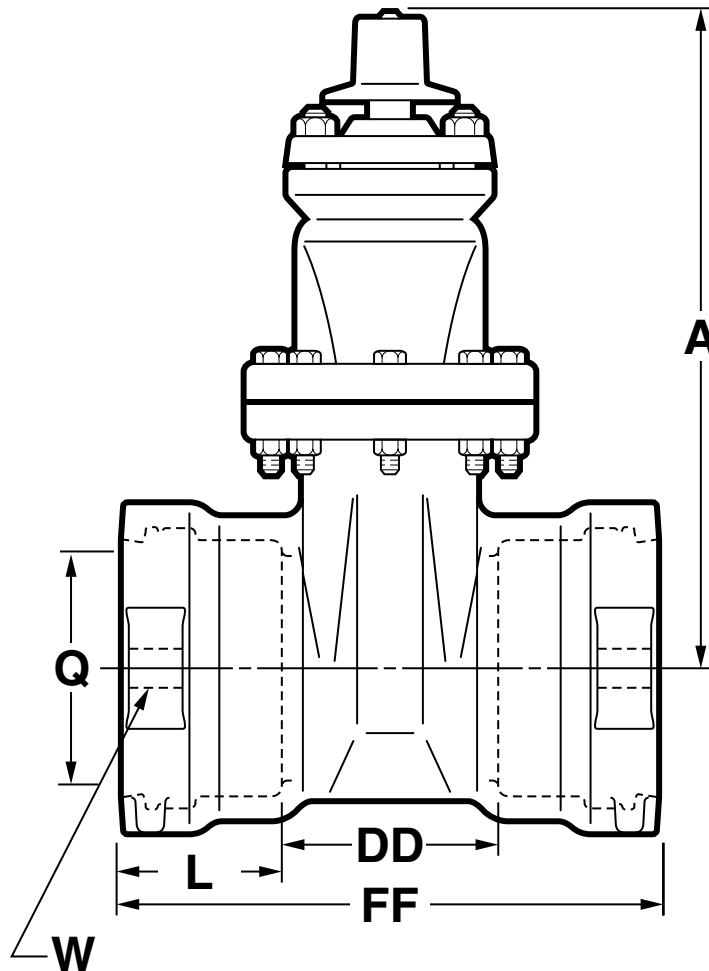
* Fully encapsulated in molded rubber with no iron exposed

** Previous to 1999 these parts on 4"-12" valves were designed with a gasket instead of an O-ring and with additional bolts. Confirm the type of seal when ordering a replacement gasket or O-ring.

♦Body and bonnet of 12" valves are ductile iron standard wall thickness in compliance with C509.



4"-12" A-2360 RESILIENT WEDGE GATE VALVE - SL. x SL.



Dimensions

Dimension*	Nominal size				
	4"	6"	8"	10"	12"
A	14.19	18.00	21.50	25.50	28.62
Q (bore)	4.30	6.30	8.30	10.30	12.30
W (distance between strapping lug holes across face of valve ends)	8.62	10.62	13.12	16.38	18.12
FF	12.81	14.81	17.88	18.43	18.62
L	4.12	4.38	5.62	5.62	5.62
DD	4.57	6.05	6.64	7.19	7.38
Turns to open	14	20.5	26.5	33	38.5
Weight*	90	165	260	400	565

*All dimensions are in inches. All weights are in pounds and are approximate.

Rev. 9-09 Shaded area indicates change.

- Catalog number–
A-2360-38 Slip-on† ends with gasket
A-2360-40 Slip-on† ends less gasket
- Sizes – 4", 6", 8", 10", 12"
- Meets or exceeds all applicable requirements of ANSI/AWWA C509 Standard, UL Listed, FM Approved, and certified to ANSI/NSF 61.
- Slip-on ends fit plain end of classes 150, 200 and 250 cast iron; ductile iron and classes 150 and 200 cast iron O.D. PVC
- Iron body with nominal 10 mils MUELLER® Pro-Gard™ Fusion Epoxy Coated interior and exterior surfaces
- Epoxy coating meets or exceeds all applicable requirements of ANSI/AWWA C550 Standard and is certified to ANSI/NSF 61
- Iron wedge, symmetrical & fully encapsulated with molded rubber; no exposed iron
- Non-rising stem (NRS)
- Triple O-ring seal stuffing box (2 upper & 1 lower O-ring), with fourth O-ring serving as dirt seal
- 2" square wrench nut (optional handwheel available) – open left or open right
- 250 psig (1723 kPa) maximum working pressure, 500 psig (3447 kPa) static test pressure
- UL Listed, FM Approved: 200 psig (1379 kPa)



A-2360-38

†Design and dimensions of the joint are manufactured under license of U.S. Pipe and Foundry Company.

Options

See page 10.40 for more information on Resilient Wedge Gate Valve options

- Position indicators
- Stainless steel fasteners: Type 316
- ASTM B98-C66100/H02 stem
- Handwheel

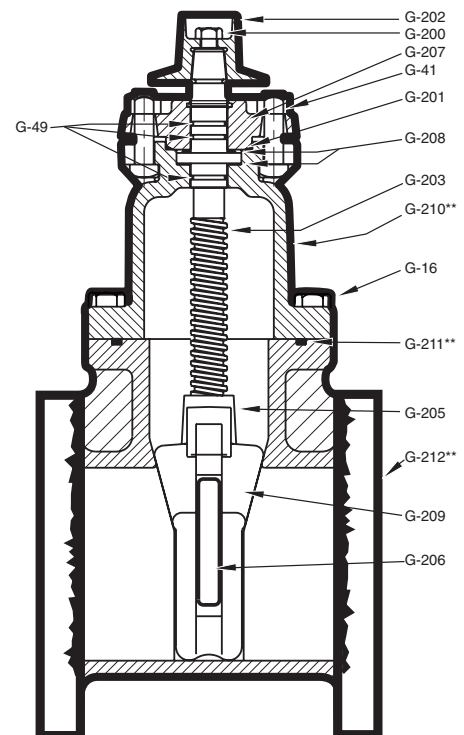
Resilient wedge gate valve parts

Catalog Part No.	Description	Material	Material Standard
G-16	Bonnet Bolts & Nuts	Stainless Steel	Type 304
G-41	Stuffing Box Bolts & Nuts	Stainless Steel	Type 304
G-49	Stem O-rings (3)	Rubber	
G-200	Wrench Nut Cap Screw	Stainless Steel	Type 304
G-201	Stuffing Box Seal	Rubber	
G-202	Wrench Nut	Cast Iron	ASTM A126 CL.B
G-203	Stem	Bronze	ASTM B138
G-204	Hand Wheel (not shown)	Cast Iron	ASTM A126 CL.B
G-205	Stem Nut	Bronze	ASTM B62
G-206	Guide Cap Bearings	Celcon	
G-207	Stuffing Box with dirt seal	Cast Iron, Rubber	ASTM A126 CL.B
G-208	Anti-fiction Washer (2)	Celcon	
G-209	Wedge, Rubber Encapsulation	Cast Iron* Rubber	ASTM A126 CL.B
G-210**	Bonnet	Cast Iron ♦	ASTM A126 CL.B
G-211**	Bonnet O-ring	Nitrite	
G-212**	Body	Cast Iron ♦	ASTM A126 CL.B

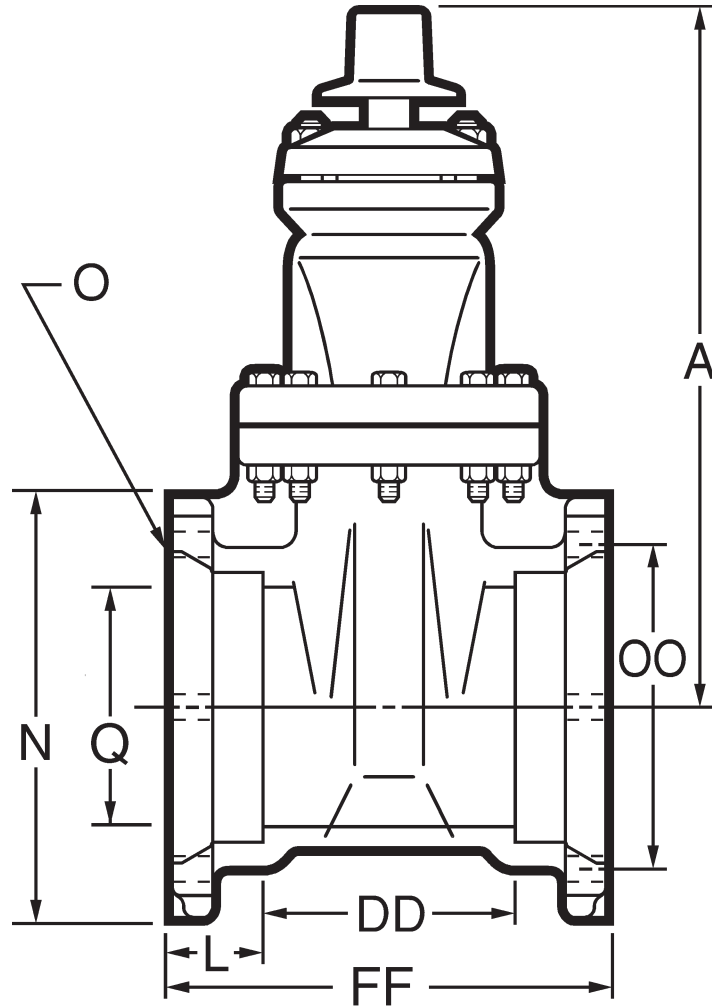
* Fully encapsulated in molded rubber with no iron exposed

** Previous to 1999 these parts on 4"-12" valves were designed with a gasket instead of an O-ring and with additional bolts. Confirm the type of seal when ordering a replacement gasket or O-ring.

♦ Body and bonnet of 12" valves are ductile iron standard wall thickness in compliance with C509.



2"-12" A-2360 RESILIENT WEDGE GATE VALVE - M.J. x M.J.



Dimensions

Dimension*	Nominal size						
	2"	3"	4"	6"	8"	10"	12"
A	9.88	12.38	14.19	18.00	21.50	25.50	28.62
FF	8.50	9.00	10.00	11.50	12.50	14.75	14.88
L	2.50	2.50	2.50	2.50	2.50	2.50	2.50
N	4.62	7.50	9.12	11.12	13.37	15.62	17.88
O (number and size of holes)	4--.88	4--.88	4--.88	6--.88	6--.88	8--.88	8--.88
DD	3.50	4.00	5.00	6.50	7.50	9.75	9.88
Q (bore)	2.30	3.30	4.30	6.30	8.30	10.30	12.30
OO (bolt circle diameter)	5.00	6.19	7.50	9.50	11.75	14.00	16.25
Turns to open	8	11	14	20.5	26.5	33	38.5
Weight*	40	83	120	186	280	405	540

*All dimensions are in inches. All weights include accessories are in pounds and are approximate.

Rev. 9-09 Shaded area indicates change.

- ❑ Catalog number—
 - A-2360-20 Mechanical joint ends (with accessories unassembled)
 - A-2360-23 Mechanical joint ends (less accessories)
 - A-2360-25 Mechanical joint ends (with transition gaskets accessories unassembled)
- ❑ Sizes – 2", 3", 4", 6", 8", 10", 12"
- ❑ Meets or exceeds all applicable requirements of ANSI/AWWA C509 Standard, UL Listed, FM Approved, and certified to ANSI/NSF 61.
- ❑ Standard mechanical joint ends comply with ANSI/AWWA C111
- ❑ Iron body with nominal 10 mils MUELLER® Pro-Gard™ Fusion Epoxy Coated interior and exterior surfaces
- ❑ Epoxy coating meets or exceeds all applicable requirements of ANSI/AWWA C550 Standard and is certified to ANSI/NSF 61
- ❑ Iron wedge, symmetrical & fully encapsulated with molded rubber; no exposed iron
- ❑ Non-rising stem (NRS)
- ❑ Triple O-ring seal stuffing box (2 upper & 1 lower O-rings), with fourth O-ring serving as dirt seal††
- ❑ 2" square wrench nut (optional handwheel available)—open left or open right
- ❑ 250 psig (1723 kPa) maximum working pressure, 500 psig (3447 kPa) static test pressure
- ❑ 3"-12" sizes – UL Listed, FM Approved: 200 psig (1379 kPa)



A-2360-20 M.J. accessories shipped unassembled

††Dirt seal on 4"-12" valves

Options

See page 10.40 for more information on Resilient Wedge Gate Valve options

- ❑ Position indicators
- ❑ ASTM B98-C66100/H02 stem
- ❑ Stainless steel fasteners: Type 316
- ❑ Handwheel

Resilient wedge gate valve parts

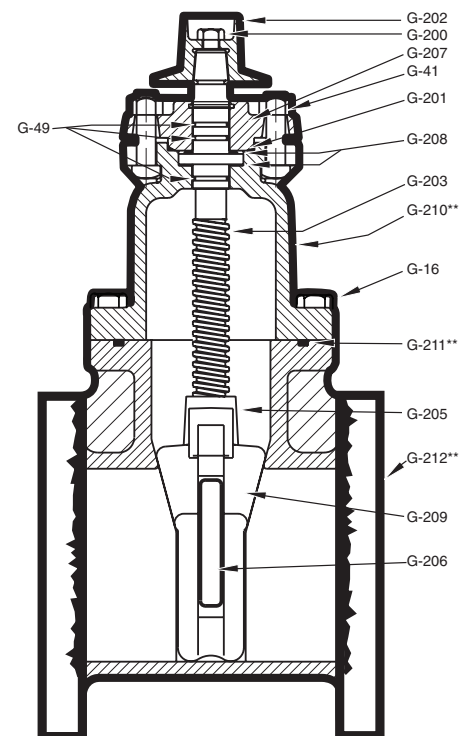
Catalog Part No.	Description	Material	Material Standard
G-16	Bonnet Bolts & Nuts	Stainless Steel	Type 304
G-41	Stuffing Box Bolts & Nuts	Stainless Steel	Type 304
G-49	Stem O-rings (3)	Rubber	
G-200	Wrench Nut Cap Screw	Stainless Steel	Type 304
G-201	Stuffing Box Seal	Rubber	
G-202	Wrench Nut	Cast Iron	ASTM A126 CL.B
G-203	Stem	Bronze	ASTM B138
G-204	Hand Wheel	Cast Iron	ASTM A126 CL.B
G-205	Stem Nut	Bronze	ASTM B62
G-206	Guide Cap Bearings	Celcon	
G-207	Stuffing Box with dirt seal††	Cast Iron, Rubber	ASTM A126 CL.B
G-208	Anti-fiction Washer (2)	Celcon	
G-209	Wedge, Rubber Encapsulation	Cast Iron* Rubber	ASTM A126 CL.B
G-210**	Bonnet	Cast Iron ♦	ASTM A126 CL.B
G-211**	Bonnet O-ring	Nitrite	
G-212**	Body	Cast Iron ♦	ASTM A126 CL.B

* Fully encapsulated in molded rubber with no iron exposed

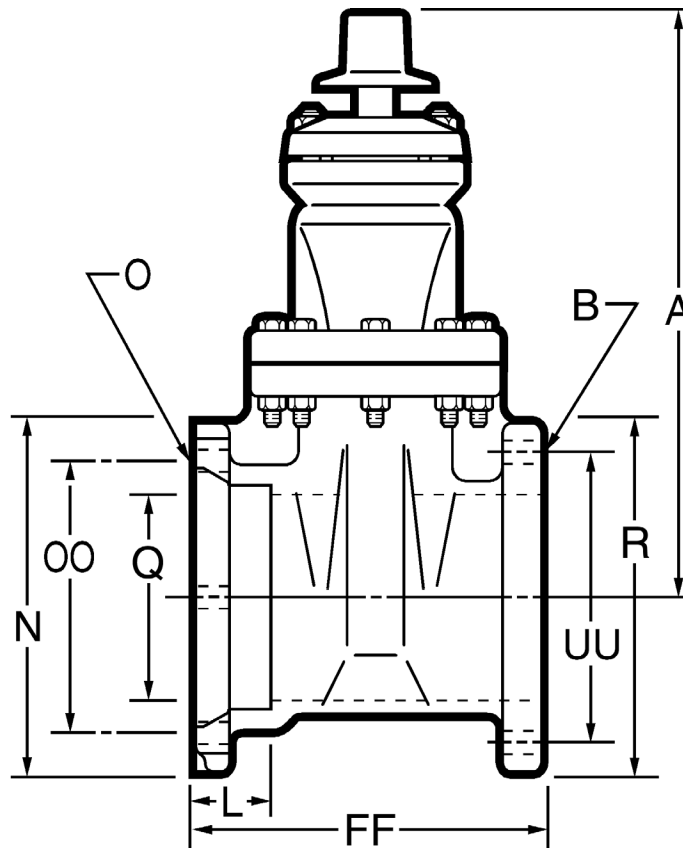
** Previous to 1999 these parts on 4"-12" valves were designed with a gasket instead of an O-ring and with additional bolts (2"-3" sizes retain neoprene gasket design affecting these parts). Confirm the type of seal when ordering a replacement gasket or O-ring.

††Dirt seal on 4"-12" valves

♦Body and bonnet of 12" valves are ductile iron standard wall thickness in compliance with C509.



4"-12" A-2360 RESILIENT WEDGE GATE VALVE - M.J. x FL.



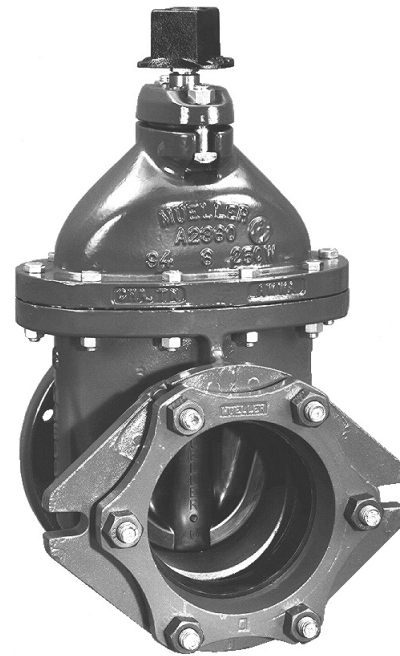
Dimensions

Dimension*	Nominal size				
	4"	6"	8"	10"	12"
A	14.19	18.00	21.50	25.50	28.62
L	2.50	2.50	2.50	2.50	2.50
N	9.12	11.12	13.37	15.62	17.88
O (number and size of holes for MJ)	4--.88	6--.88	6--.88	8--.88	8--.88
Q (bore)	4.30	6.30	8.30	10.30	12.30
OO (bolt circle diameter for MJ)	7.50	9.50	11.75	14.00	16.25
R	9.00	11.00	13.50	16.00	19.00
UU (bolt circle diameter for FL)	7.50	9.50	11.75	14.25	17.00
FF	9.50	11.00	12.00	13.88	14.44
B (number and size of holes for FL)	8--.75	8--.88	8--.88	12--1.00	12--1.00
Turns to open	14	20.5	26.5	33	38.5
Weight*	115	168	275	400	570

* All dimensions are in inches. All weights include accessories are in pounds and are approximate.

Rev. 9-09 Shaded area indicates change.

- Catalog number–
A-2360-16 mechanical joint x flanged ends (with accessories unassembled)
A-2360-19 mechanical joint x flanged ends (less accessories)
- Sizes – 4", 6", 8", 10", 12"
- Meets or exceeds all applicable requirements of ANSI/AWWA C509 Standard, UL Listed, FM Approved, and certified to ANSI/NSF 61.
- Flanged end dimensions and drilling comply with ANSI B16.1, class 125
- Mechanical joint end complies with ANSI/AWWA C111 Standard
- Iron body with nominal 10 mils MUELLER® Pro-Gard™ Fusion Epoxy Coated interior and exterior surfaces
- Epoxy coating meets or exceeds all applicable requirements of ANSI/AWWA C550 Standard and is certified to ANSI/NSF 61
- Iron wedge, symmetrical & fully encapsulated with molded rubber; no exposed iron
- Non-rising stem (NRS)
- Triple O-ring seal stuffing box (2 upper & 1 lower O-rings), with fourth O-ring serving as dirt seal
- 2" square wrench nut (optional handwheel available) – open left or open right
- 250 psig (1723 kPa) maximum working pressure, 500 psig (3447 kPa) static test pressure
- UL Listed, FM Approved – 200 psig (1379 kPa)



A-2360-16

M.J. accessories
shipped unassembled

Options

See page 10.40 for more information on Resilient Wedge Gate Valve options

- Position indicators
- Stainless steel fasteners: Type 316
- ASTM B98-C66100/H02 stem
- Handwheel

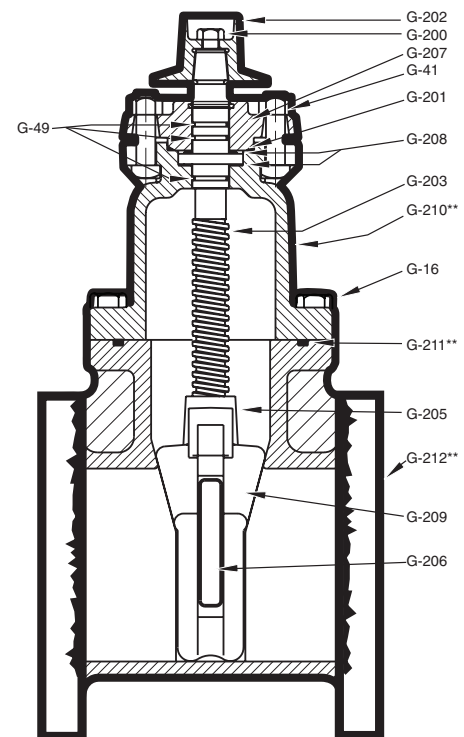
Resilient wedge gate valve parts

Catalog Part No.	Description	Material	Material Standard
G-16	Bonnet Bolts & Nuts	Stainless Steel	Type 304
G-41	Stuffing Box Bolts & Nuts	Stainless Steel	Type 304
G-49	Stem O-rings (3)	Rubber	
G-200	Wrench Nut Cap Screw	Stainless Steel	Type 304
G-201	Stuffing Box Seal	Rubber	
G-202	Wrench Nut	Cast Iron	ASTM A126 CL.B
G-203	Stem	Bronze	ASTM B138
G-204	Hand Wheel (not shown)	Cast Iron	ASTM A126 CL.B
G-205	Stem Nut	Bronze	ASTM B62
G-206	Guide Cap Bearings	Celcon	
G-207	Stuffing Box with dirt seal	Cast Iron, Rubber	ASTM A126 CL.B
G-208	Anti-fiction Washer (2)	Celcon	
G-209	Wedge, Rubber Encapsulation	Cast Iron* Rubber	ASTM A126 CL.B
G-210**	Bonnet	Cast Iron ♦	ASTM A126 CL.B
G-211**	Bonnet O-ring	Nitrite	
G-212**	Body	Cast Iron ♦	ASTM A126 CL.B

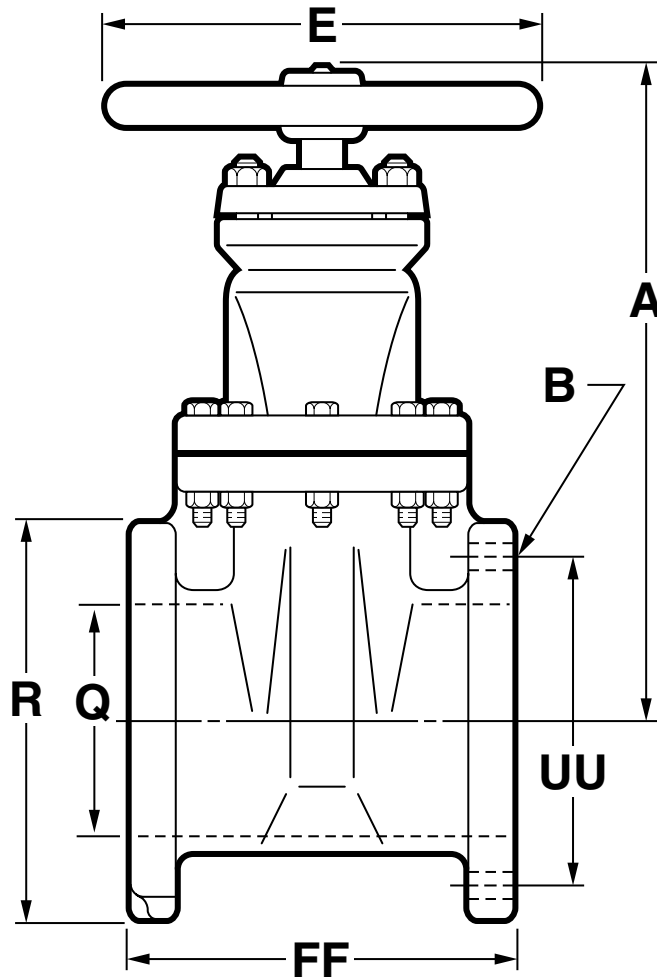
* Fully encapsulated in molded rubber with no iron exposed

** Previous to 1999 these parts on 4"-12" valves were designed with a gasket instead of an O-ring and with additional bolts. Confirm the type of seal when ordering a replacement gasket or O-ring.

♦ Body and bonnet of 12" valves are ductile iron standard wall thickness in compliance with C509.



2"-12" A-2360 RESILIENT WEDGE GATE VALVE - FL. x FL.



Dimensions

Dimension*	Nominal size							
	2"	2-1/2"	3"	4"	6"	8"	10"	12"
A	9.88	12.38	12.38	14.19	18.00	21.50	25.50	28.62
E	6.00	6.00	8.00	11.00	13.00	14.00	16.00	16.00
R	6.00	7.00	7.50	9.00	11.00	13.50	16.00	19.00
FF	7.00	7.50	8.00	9.00	10.50	11.50	13.00	14.00
Q (bore)	2.30	2.80	3.30	4.30	6.30	8.30	10.30	12.30
UU (bolt circle diameter)	4.75	5.50	6.00	7.50	9.50	11.75	14.25	17.00
B (number and size of holes)	4--.75	4--.75	4--.75	8--.75	8--.88	8--.88	12--1.00	12--1.00
Turns to open	8	11	11	14	20.5	26.5	33	38.5
Weight*	37	71	73	96	154	250	400	500

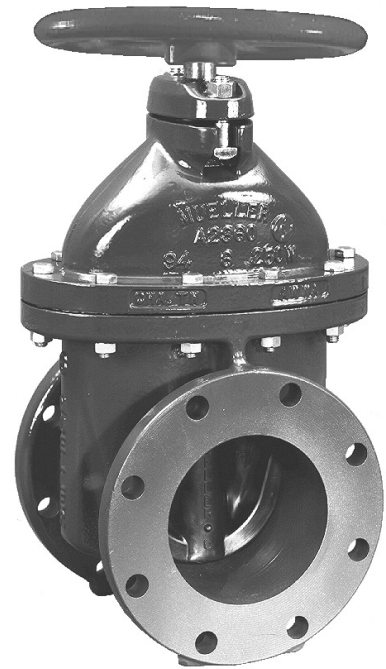
*All dimensions are in inches. All weights are in pounds and are approximate.

Rev. 9-09 Shaded area indicates change.

- Catalog number – **A-2360-6** flanged ends
- Sizes – 2", 2-1/2", 3", 4", 6", 8", 10", 12"
- Meets or exceeds all applicable requirements of ANSI/AWWA C509 Standard, UL Listed, FM Approved, and certified to ANSI/NSF 61.†
- Flanged end dimensions and drilling comply with ANSI B16.1, class 125
- Iron body with nominal 10 mils MUELLER® Pro-Gard™ Fusion Epoxy Coated interior and exterior surfaces
- Epoxy coating meets or exceeds all applicable requirements of ANSI/AWWA C550 Standard and is certified to ANSI/NSF 61
- Iron wedge, symmetrical & fully encapsulated with molded rubber; no exposed iron
- Non-rising stem (NRS)
- Triple O-ring seal stuffing box (2 upper & 1 lower O-rings), with fourth O-ring serving as dirt seal††
- Handwheel (2" square wrench nut optional) – open left or open right
- 250 psig (1723 kPa) maximum working pressure, 500 psig (3447 kPa) static test pressure
- 2-1/2"-12" sizes – UL Listed, FM Approved: 200 psig (1379 kPa)

† Approved for backflow prevention devices by USC (for 2-1/2" - 10" sizes)

††Dirt seal on 4"-12" valves



A-2360-6

Options

See page 10.40 for more information on Resilient Wedge Gate Valve options

- Position indicators
- Stainless steel fasteners: Type 316
- PN 10/16 Drilling
- ASTM B98-C66100/H02 stem
- 2" square wrench nut

Resilient wedge gate valve parts

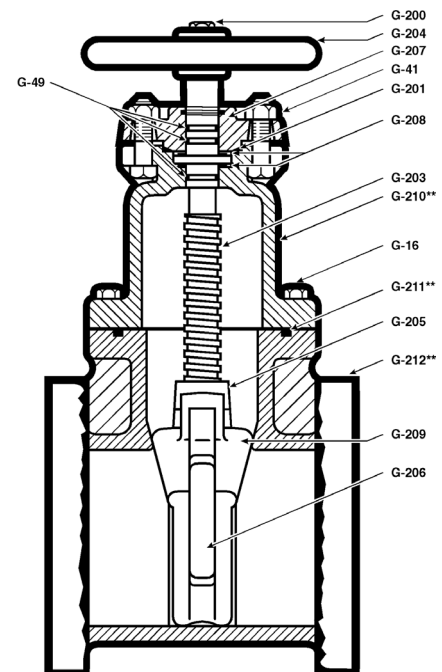
Catalog Part No.	Description	Material	Material Standard
G-16	Bonnet Bolts & Nuts	Stainless Steel	Type 304
G-41	Stuffing Box Bolts & Nuts	Stainless Steel	Type 304
G-49	Stem O-rings (3)	Rubber	
G-200	Wrench Nut Cap Screw	Stainless Steel	Type 304
G-201	Stuffing Box Seal	Rubber	
G-202	Wrench Nut	Cast Iron	ASTM A126 CL.B
G-203	Stem	Bronze	ASTM B138
G-204	Hand Wheel	Cast Iron	ASTM A126 CL.B
G-205	Stem Nut	Bronze	ASTM B62
G-206	Guide Cap Bearings	Celcon	
G-207	Stuffing Box with dirt seal††	Cast Iron, Rubber	ASTM A126 CL.B
G-208	Anti-fiction Washer (2)	Celcon	
G-209	Wedge, Rubber Encapsulation	Cast Iron* Rubber	ASTM A126 CL.B
G-210**	Bonnet	Cast Iron ♦	ASTM A126 CL.B
G-211**	Bonnet O-ring	Nitrite	
G-212**	Body	Cast Iron ♦	ASTM A126 CL.B

* Fully encapsulated in molded rubber with no iron exposed

** Previous to 1999 these parts on 4"-12" valves were designed with a gasket instead of an O-ring and with additional bolts (2"-3" sizes retain neoprene gasket design affecting these parts). Confirm the type of seal when ordering a replacement gasket or O-ring.

††Dirt seal on 4"-12" valves

♦Body and bonnet of 12" valves are ductile iron standard wall thickness in compliance with C509.



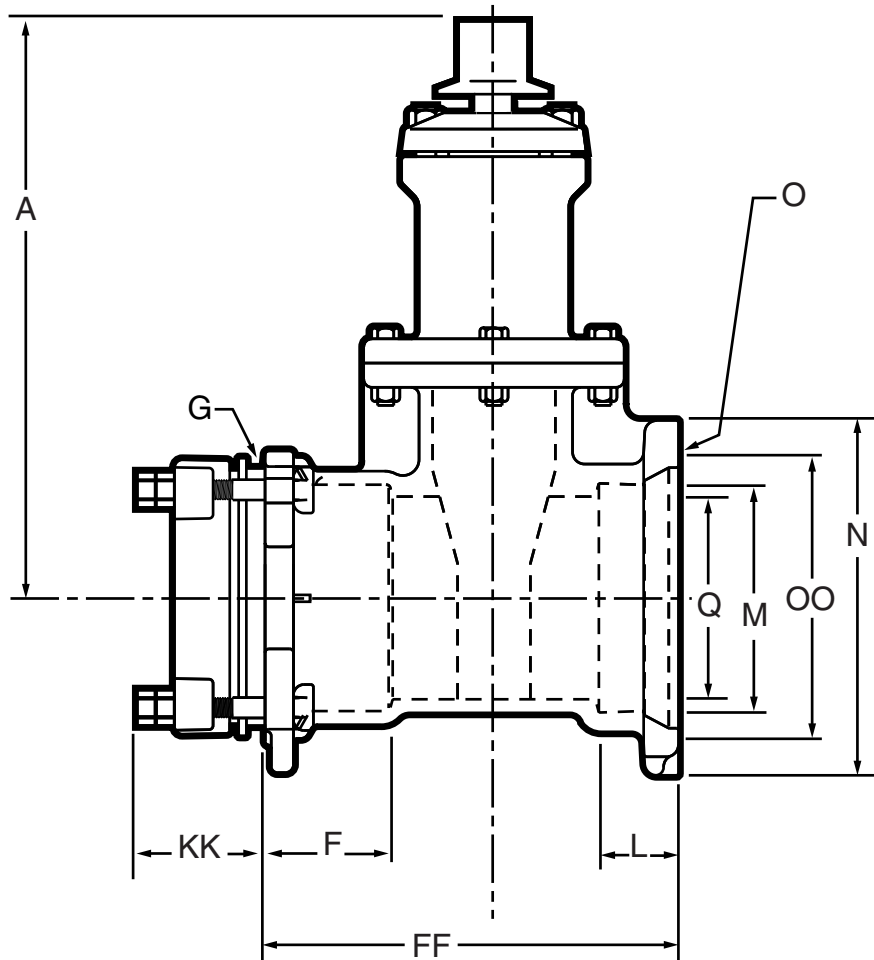
SEE PAGE 10.43 FOR ORDERING INSTRUCTIONS

4"-12" A-2361 RESILIENT WEDGE GATE VALVE WITH AQUA-GRIP™ x MJ. ENDS

Mueller Co.

10.9

Rev. 2-06



Dimensions

Dimension*	Nominal size				
	4"	6"	8"	10"	12"
A	14.19	18.00	21.50	25.50	28.62
F	3.70	3.70	3.70	3.89	3.89
G (number and size of holes for Aqua-Grip)	4--.88	4--.88	6--.88	8--.88	8--.88
L	2.50	2.50	2.50	2.50	2.50
M	4.90	7.00	9.15	11.20	13.30
N	9.12	11.12	13.37	15.62	17.88
O (number and size of holes for MJ)	4--.88	6--.88	6--.88	8--.88	8--.88
FF	11.34	13.31	14.72	16.41	16.89
Q	4.30	6.30	8.30	10.30	12.30
KK	2.75	3.75	3.75	3.75	3.75
OO (bolt circle diameter for MJ)	7.50	9.50	11.75	14.00	16.25
Turns to open	14	20.5	26.5	33.0	38.5
Weight*	108	169	294	395	565

*All dimensions are in inches. All weights are in approximate pounds.

10.8



4"-12" A-2361 RESILIENT WEDGE GATE VALVE WITH AQUA-GRIP™ x MJ. ENDS

Rev. 2-06. Shaded area indicates change.

- Catalog number–
A-2361-78 Aqua-Grip ends x mechanical joint for DIPS pipe in sizes 4", 6", 8", 10", 12"
A-2361-88 Aqua-Grip ends x mechanical joint for IPS pipe in sizes 4", 6", 8"
- Meets or exceeds all applicable requirements of ANSI/AWWA C515 Standard, UL Listed, FM Approved, and certified to ANSI/NSF 61.
- Ductile Iron body and bonnet with nominal 10 mils MUELLER® Pro-Gard™ Fusion Epoxy Coated interior and exterior surfaces.
- Epoxy coating meets or exceeds all applicable requirements of ANSI/AWWA C550 Standard and is certified to ANSI/NSF 61.
- Iron wedge, symmetrical & fully encapsulated with molded rubber; no exposed iron.
- Non-rising stem (NRS)
- Triple O-ring seal stuffing box (2 upper & 1 lower O-rings), with fourth O-ring serving as dirt seal
- 2" square wrench nut (optional handwheel available) – open left or open right
- 250 psig (1723 kPa) maximum working pressure, 500 psig (3447 kPa) static test pressure
- UL Listed, FM Approved – 200 psig (1379 kPa)



A-2361-78

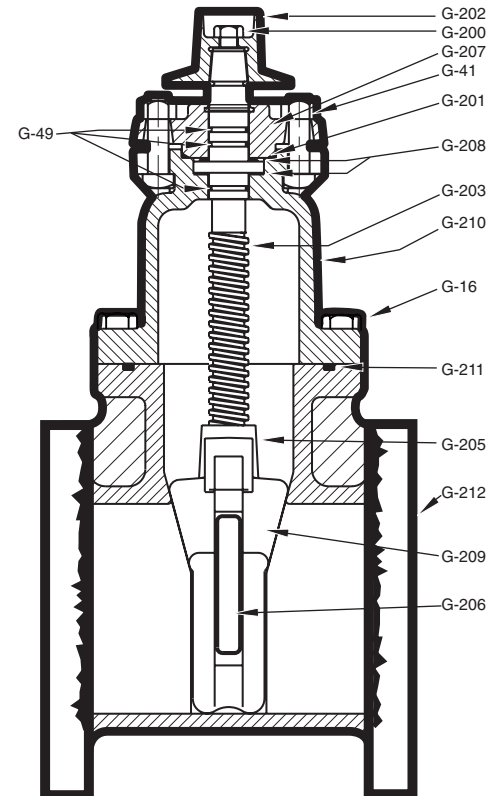
Options

See page 10.40 for more information on Resilient Wedge Gate Valve options

- Position indicators
- ASTM B98-C66100/H02 stem
- Stainless steel fasteners: Type 316
- Handwheel

Resilient wedge gate valve parts

Catalog Part No.	Description	Material	Material standard
G-16	Bonnet Bolts & Nuts	Stainless Steel	Type 304
G-41	Stuffing Box Bolts & Nuts	Stainless Steel	Type 304
G-49	Stem O-rings (3)	Rubber	
G-200	Wrench Nut Cap Screw	Stainless Steel	Type 304
G-201	Stuffing Box O-ring	Rubber	
G-202	Wrench Nut	Cast Iron	ASTM A126 CL.B
G-203	Stem	Bronze	ASTM B138
G-204	Hand Wheel (not shown)	Cast Iron	ASTM A126 CL.B
G-205	Stem Nut	Bronze	ASTM B62
G-206	Guide Cap Bearings	Celcon	
G-207	Stuffing Box with dirt seal	Cast iron Rubber	ASTM A126 CL.B --
G-208	Anti-friction Washers (2)	Celcon	
G-209	Wedge, Rubber Encapsulation	Cast Iron* SBR	ASTM A126 CL.B --
G-210	Bonnet	Ductile Iron	ASTM A536 Grade 65-45-12
G-211	Bonnet O-ring	Rubber	
G-212	Body	Ductile Iron	ASTM A536 Grade 65-45-12
G-213	Double O-ring**	Rubber	
G-214	Intermediate ring**	Ductile Iron	ASTM A536 Grade 65-45-12
G-215	Gripper ring**	Ductile Iron	ASTM A536 Grade 65-45-12
G-216	End ring**	Ductile Iron	ASTM A536 Grade 65-45-12
G-217	Breakaway nut w/washer***	Steel	
G-218	T-head Bolt***	Steel	



*Fully encapsulated in molded rubber with no iron exposed.

**Parts for Aqua-Grip connection not shown – one required for each Aqua-Grip connection.

***Not shown. See dimension drawing on next page for number require for each size Aqua-Grip connection.

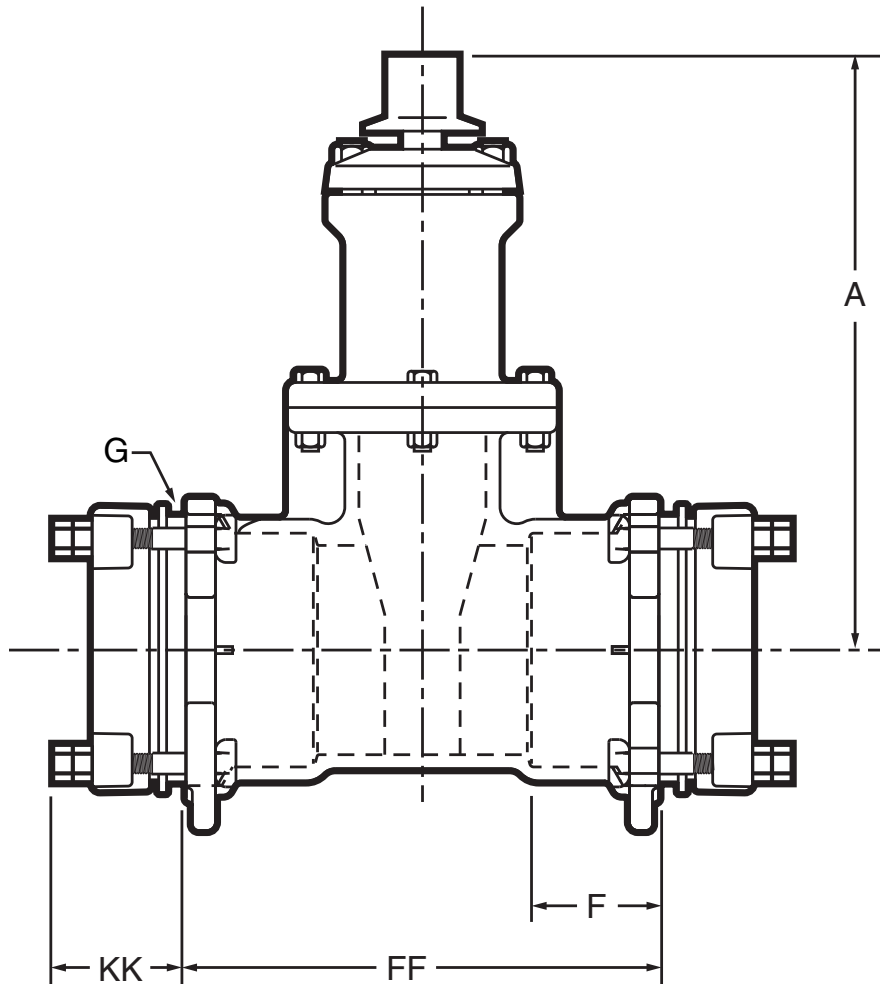
SEE PAGE 10.43 FOR ORDERING INSTRUCTIONS

4"-12" A-2361 RESILIENT WEDGE GATE VALVE WITH AQUA-GRIP™ x AQUA-GRIP™ ENDS

Mueller Co.

10.7

Rev. 2-06



Dimensions

Dimension*	Nominal size				
	4"	6"	8"	10"	12"
A	14.19	18.00	21.50	25.50	28.62
FF	12.68	15.12	16.94	18.06	18.90
G (number and size of holes for Aqua-Grip)	4--.88	4--.88	6--.88	8--.88	8--.88
F	3.70	3.70	3.70	3.89	3.89
KK	2.75	3.75	3.75	3.75	3.75
Turns to open	14	20.5	26.5	33.0	38.5
Weight*	119	162	256	380	475

*All dimensions are in inches. All weights are in approximate pounds.

10.6



4"-12" A-2361 RESILIENT WEDGE GATE VALVE WITH AQUA-GRIP™ x AQUA-GRIP™ ENDS

Rev. 2-06. Shaded area indicates change.

- Catalog number–
A-2361-77 Aqua-Grip ends x Aqua-Grip ends for DIPS pipe in sizes 4", 6", 8", 10", 12"
A-2361-87 Aqua-Grip ends x Aqua-Grip ends for IPS pipe in sizes 4", 6", 8"
- Meets or exceeds all applicable requirements of ANSI/AWWA C515 Standard, UL Listed, FM Approved, and certified to ANSI/NSF 61.
- Ductile Iron body and bonnet with nominal 10 mils MUELLER® Pro-Gard™ Fusion Epoxy Coated interior and exterior surfaces
- Epoxy coating meets or exceeds all applicable requirements of ANSI/AWWA C550 Standard and is certified to ANSI/NSF 61
- Iron wedge, symmetrical & fully encapsulated with molded rubber; no exposed iron
- Non-rising stem (NRS)
- Triple O-ring seal stuffing box (2 upper & 1 lower O-rings), with fourth O-ring serving as dirt seal
- 2" square wrench nut (optional handwheel available)—open left or open right
- 250 psig (1723 kPa) maximum working pressure, 500 psig (3447 kPa) static test pressure
- UL Listed, FM Approved – 200 psig (1379 kPa)



A-2361-77

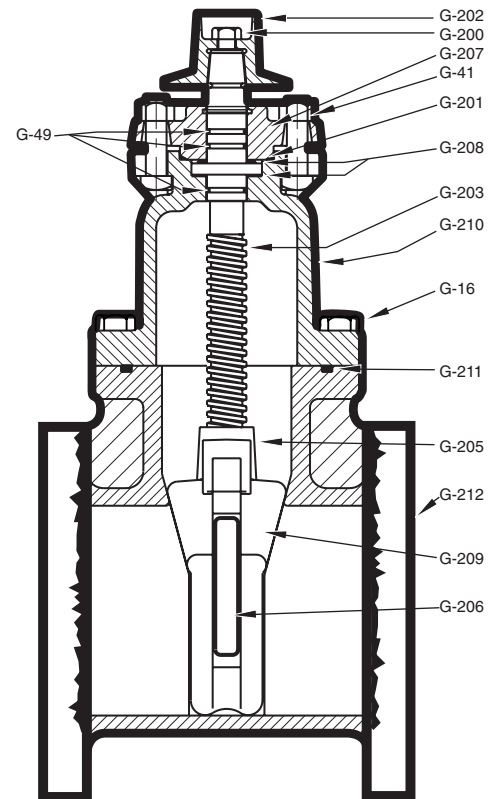
Options

See page 10.40 for more information on Resilient Wedge Gate Valve options

- Position indicators
- ASTM B98-C66100/H02 stem
- Stainless steel fasteners: Type 316
- Handwheel

Resilient wedge gate valve parts

Catalog Part No.	Description	Material	Material standard
G-16	Bonnet Bolts & Nuts	Stainless Steel	Type 304
G-41	Stuffing Box Bolts & Nuts	Stainless Steel	Type 304
G-49	Stem O-rings (3)	Rubber	
G-200	Wrench Nut Cap Screw	Stainless Steel	Type 304
G-201	Stuffing Box O-ring	Rubber	
G-202	Wrench Nut	Cast Iron	ASTM A126 CL.B
G-203	Stem	Bronze	ASTM B138
G-204	Hand Wheel (not shown)	Cast Iron	ASTM A126 CL.B
G-205	Stem Nut	Bronze	ASTM B62
G-206	Guide Cap Bearings	Celcon	
G-207	Stuffing Box with dirt seal	Cast iron Rubber	ASTM A126 CL.B --
G-208	Anti-friction Washers (2)	Celcon	
G-209	Wedge, Rubber Encapsulation	Cast Iron* SBR	ASTM A126 CL.B --
G-210	Bonnet	Ductile Iron	ASTM A536 Grade 65-45-12
G-211	Bonnet O-ring	Rubber	
G-212	Body	Ductile Iron	ASTM A536 Grade 65-45-12
G-213	Double O-ring**	Rubber	
G-214	Intermediate ring**	Ductile Iron	ASTM A536 Grade 65-45-12
G-215	Gripper ring**	Ductile Iron	ASTM A536 Grade 65-45-12
G-216	End ring**	Ductile Iron	ASTM A536 Grade 65-45-12
G-217	Breakaway nut w/washer***	Steel	
G-218	T-head Bolt***	Steel	



*Fully encapsulated in molded rubber with no iron exposed.

**Parts for Aqua-Grip connection not shown – one required for each Aqua-Grip connection.

***Not shown. See dimension drawing on next page for number require for each size Aqua-Grip connection.

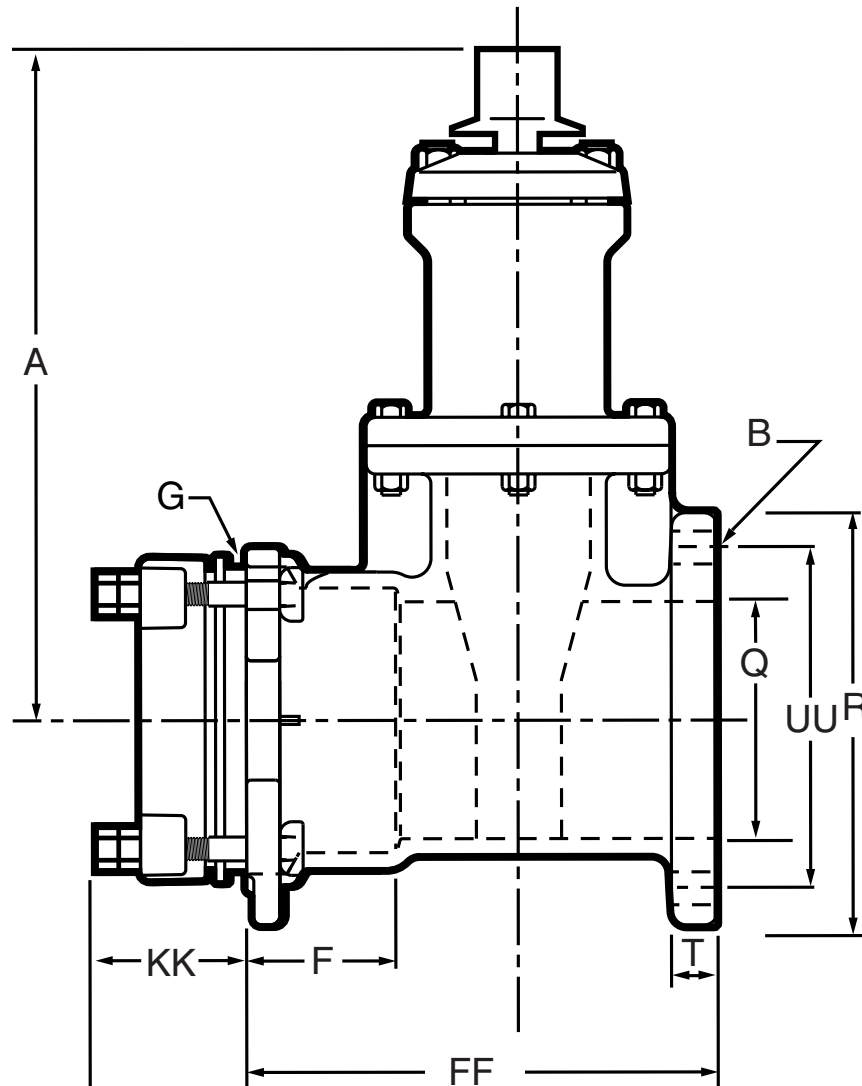
SEE PAGE 10.43 FOR ORDERING INSTRUCTIONS

4"-12" A-2361 RESILIENT WEDGE GATE VALVE WITH AQUA-GRIP™ x FL. ENDS

Mueller Co.

10.5

Rev. 2-06



Dimensions

Dimension*	Nominal size				
	4"	6"	8"	10"	12"
A	14.19	18.00	21.50	25.50	28.62
B (number and size of holes for FL)	8--.88	8--.88	8--.88	12--1.00	12--1.00
F	3.70	3.70	3.70	3.89	3.89
G (number and size of holes for Aqua-Grip)	4--.88	4--.88	6--.88	8--.88	8--.88
T	.78	.93	.93	1.06	1.00
R	9.00	11.00	13.50	16.00	19.00
Q (Bore)	4.30	6.30	8.30	10.30	12.30
FF	10.84	12.81	14.22	15.53	16.45
KK	2.75	3.75	3.75	3.75	3.75
UU (bolt circle diameter for FL)	7.50	9.50	11.75	14.25	17.00
Turns to open	14	20.5	26.5	33.0	38.5
Weight*	107	149	225	365	450

*All dimensions are in inches. All weights are in approximate pounds.

10.4



4"-12" A-2361 RESILIENT WEDGE GATE VALVE WITH AQUA-GRIP™ x FL. ENDS

Rev. 2-06. Shaded area indicates change.

- Catalog number–
A-2361-76 Aqua-Grip ends x flanged ends for DIPS pipe in sizes 4", 6", 8", 10", 12"
A-2361-86 Aqua-Grip ends x flanged ends for IPS pipe in sizes 4", 6", 8"
- Meets or exceeds all applicable requirements of ANSI/AWWA C515 Standard, UL Listed, FM Approved, and certified to ANSI/NSF 61.
- Flanged end dimensions and drilling comply with ANSI B16.1, class 125
- Ductile Iron body and bonnet with nominal 10 mils MUELLER® Pro-Gard™ Fusion Epoxy Coated interior and exterior surfaces
- Epoxy coating meets or exceeds all applicable requirements of ANSI/AWWA C550 Standard and is certified to ANSI/NSF 61
- Iron wedge, symmetrical & fully encapsulated with molded rubber; no exposed iron
- Non-rising stem (NRS)
- Triple O-ring seal stuffing box (2 upper & 1 lower O-rings), with fourth O-ring serving as dirt seal
- 2" square wrench nut or handwheel available – open left or open right
- 250 psig (1723 kPa) maximum working pressure, 500 psig (3447 kPa) static test pressure
- UL Listed, FM Approved – 200 psig (1379 kPa)



A-2361-76

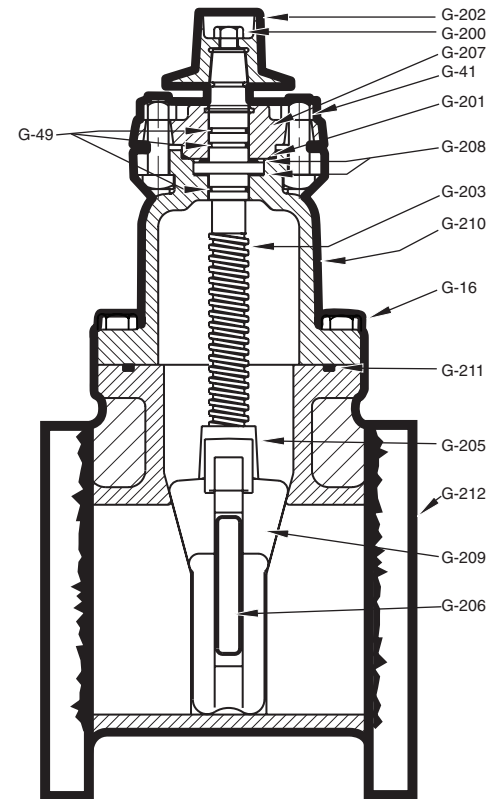
Options

See page 10.40 for more information on Resilient Wedge Gate Valve options

- Position indicators
- ASTM B98-C66100/H02 stem
- Stainless steel fasteners: Type 316
- Handwheel

Resilient wedge gate valve parts

Catalog Part No.	Description	Material	Material standard
G-16	Bonnet Bolts & Nuts	Stainless Steel	Type 304
G-41	Stuffing Box Bolts & Nuts	Stainless Steel	Type 304
G-49	Stem O-rings (3)	Rubber	
G-200	Wrench Nut Cap Screw	Stainless Steel	Type 304
G-201	Stuffing Box O-ring	Rubber	
G-202	Wrench Nut	Cast Iron	ASTM A126 CL.B
G-203	Stem	Bronze	ASTM B138
G-204	Hand Wheel (not shown)	Cast Iron	ASTM A126 CL.B
G-205	Stem Nut	Bronze	ASTM B62
G-206	Guide Cap Bearings	Celcon	
G-207	Stuffing Box with dirt seal	Cast iron Rubber	ASTM A126 CL.B --
G-208	Anti-friction Washers (2)	Celcon	
G-209	Wedge, Rubber Encapsulation	Cast Iron* SBR	ASTM A126 CL.B --
G-210	Bonnet	Ductile Iron	ASTM A536 Grade 65-45-12
G-211	Bonnet O-ring	Rubber	
G-212	Body	Ductile Iron	ASTM A536 Grade 65-45-12
G-213	Double O-ring**	Rubber	
G-214	Intermediate ring**	Ductile Iron	ASTM A536 Grade 65-45-12
G-215	Gripper ring**	Ductile Iron	ASTM A536 Grade 65-45-12
G-216	End ring**	Ductile Iron	ASTM A536 Grade 65-45-12
G-217	Breakaway nut w/washer***	Steel	
G-218	T-head Bolt***	Steel	



*Fully encapsulated in molded rubber with no iron exposed.

**Parts for Aqua-Grip connection not shown – one required for each Aqua-Grip connection.

***Not shown. See dimension drawing on next page for number require for each size Aqua-Grip connection.

SEE PAGE 10.43 FOR ORDERING INSTRUCTIONS



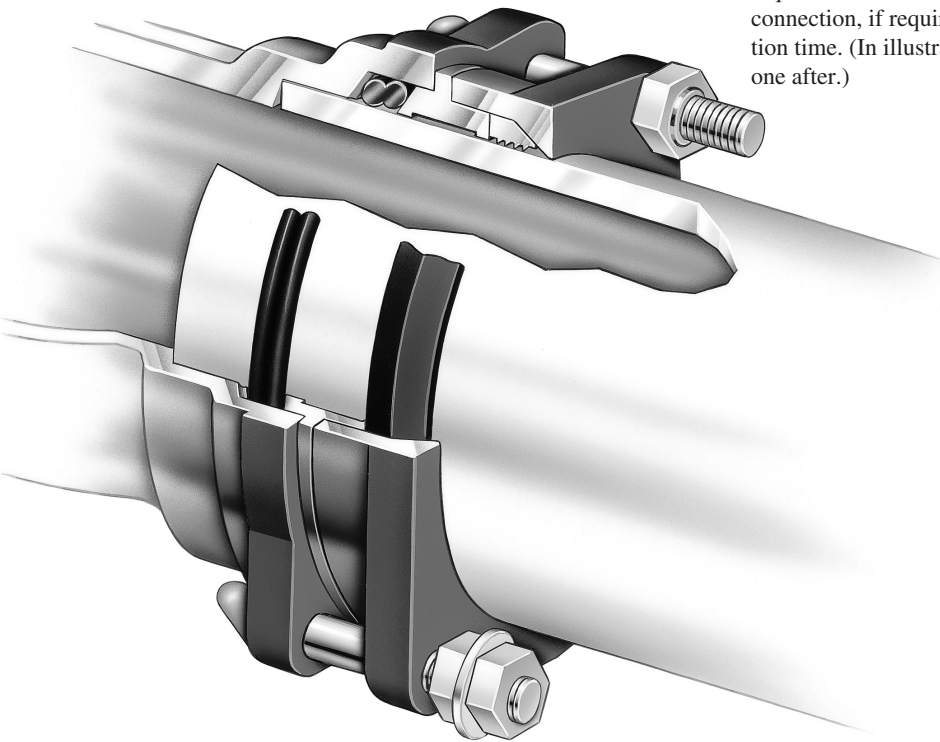
Rev. 9-09 Shaded area indicates change.

**MUELLER® 2361 SERIES RESILIENT WEDGE GATE VALVES
WITH AQUA-GRIP™ SYSTEM**

The Mueller® Aqua-Grip™ System is offered in 4" through 12" sizes of the Mueller 2361 Series Resilient Wedge Gate Valves. This Mueller exclusive combines both the compression connection and the pipe restraint system in one convenient, quick installation package. This eliminates the need for anchor couplings, tie rods or separate gland-type restrains. A typical Aqua-Grip connection uses fewer bolts than a conventional mechanical joint end, and substantially fewer than a gland-type restraint, significantly reducing installation time. This "labor saving" system is also available on Mueller Centurion® Fire Hydrants, and as separate couplings and fittings to compliment water main installation needs.

❑ ACCEPTS VARIED TYPES OF PIPE – DIPS style fits DI, C900 PVC and DIPS PE pipe. IPS style fits PVC, IPS PE. No disassembly or adapters, no special pipe end preparation, and no liner for PE pipe (DR9-DR17) required.

- ❑ FULLY ASSEMBLED STAB CONNECTION – arrives ready to insert the pipe, tighten the bolts and it's done. No need to change-out, add or remove parts. Nothing additional to inventory or handle in the field. No extra bolts to assemble or tighten. Substantially reduces labor and inventory costs.
- ❑ VISUALLY SHOWS WHEN PROPERLY TIGHTENED – break-away nuts snap off using a standard wrench. No special torque requirements. Inner nut remains in place to allow future access to connection, if required. Reduces crew training and saves installation time. (In illustration, lower nut shown before tightening, upper one after.)



- ❑ PRESSURE RESPONSIVE O-RING SEAL – a double O-ring uses hydrostatic pressure from inside the pipe to enhance the seal as line pressure increases.
- ❑ FULL CIRCUMFERENTIAL RESTRAINT – gripper ring encircles pipe for uniform grip without creating points of high stress in pipe wall that could contribute to pipe failure.
- ❑ INSTALLS IN WET CONDITIONS – no special field conditions required, even installs under water.
- ❑ DUCTILE IRON CONSTRUCTION – valve body, bonnet and the Aqua-Grip System components.
- ❑ PLUS ALL THE OTHER FEATURES OF THE 2300 SERIES VALVES

