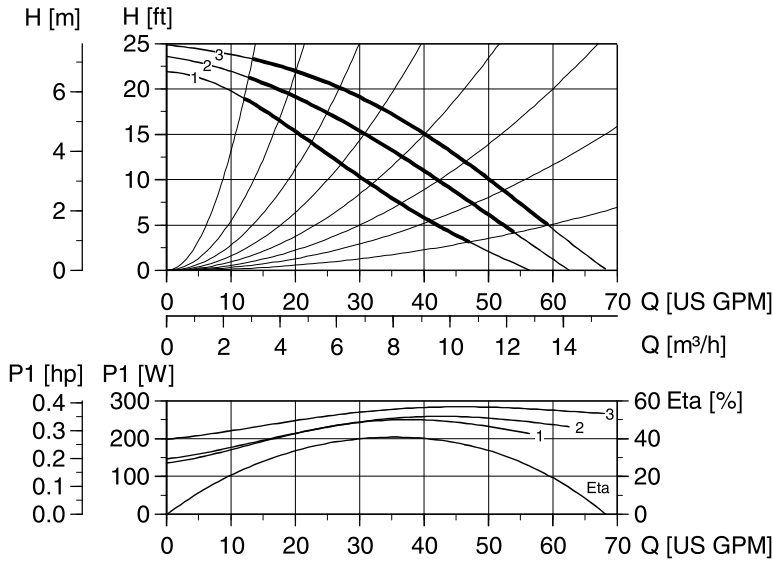


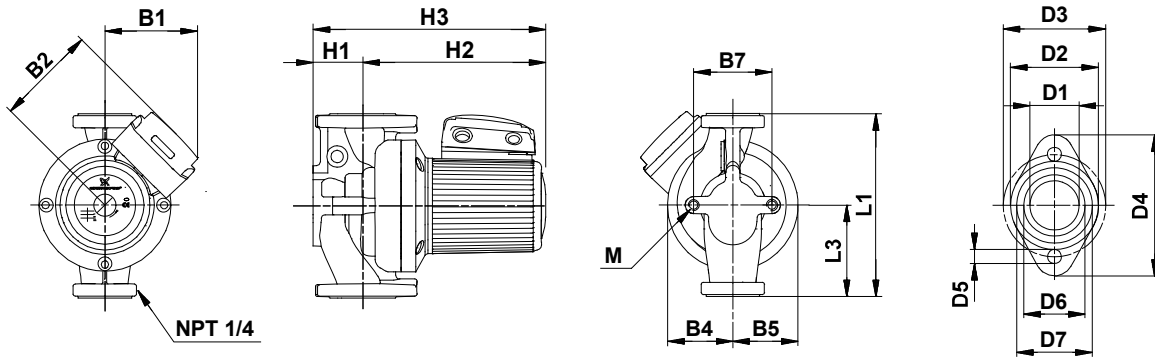
**UPS 32-80/2, 1 ph, 115 V, 230 V, 60 Hz**



TM00 9511 0697

- Flow range: 9 - 67 gpm
- Head range: 1 - 25 ft
- Motor: 2-pole 0.50 Hp
- Max. liquid temp (Open): +140 °F
- Max. liquid temp.: +248 °F
- Min. liquid temp.: +32 °F
- Max. system pressure: 145 psi
- Net wt: 35.9 lbs (16.3 kg)
- Gross wt.: 41.1 lbs (20 kg)
- Shipping volume: 1.70 ft<sup>3</sup> (0.048 m<sup>3</sup>)
- Net wt. bronze: 39.2 lbs (17.8 kg)
- Gross wt. bronze: 47.4 lbs (21.5 kg)
- Shipping volume bronze: 1.70 ft<sup>3</sup> (0.048 m<sup>3</sup>)

**Note:** ETA is calculated as wire-to-water efficiency.



TM02 0729 5100

**Dimensions**

Model	L1	L3	B1	B2	B4	B5	B7	H1	H2	H3	D1	D2	D3	D4	D5	D6	D7	M
UPS 32-80/2	[in]	11.00	5.50	5.31	5.56	3.00	3.00	3.19	2.69	9.50	12.12	1.44	2.56	3.14	4.63	0.50	1.81	2.25
	[mm]	279	140	135	141	76	76	81	68	241	308	37	65	80	117	13	46	57

**Product numbers**

Model type	Product number		Voltage [V]
	Cast Iron	Bronze	
UPS 32-80/2 (1 ph)	96402708	96402713	115
	96402709	96402714	230

**Connections**

Flange size	Flange type
1.25" non ANSI 2 bolt w/ (2) 0.5" dia. holes	GF 15/26

**Electrical data**

Speed	Max amps [A]		P Max [Watts]	Start amps [A]	
	115V	230V		115V	230V
3	2.66	1.34	280	7.10	3.80
2	2.50	1.26	260	6.67	3.29
1	2.50	1.26	250	6.67	3.29