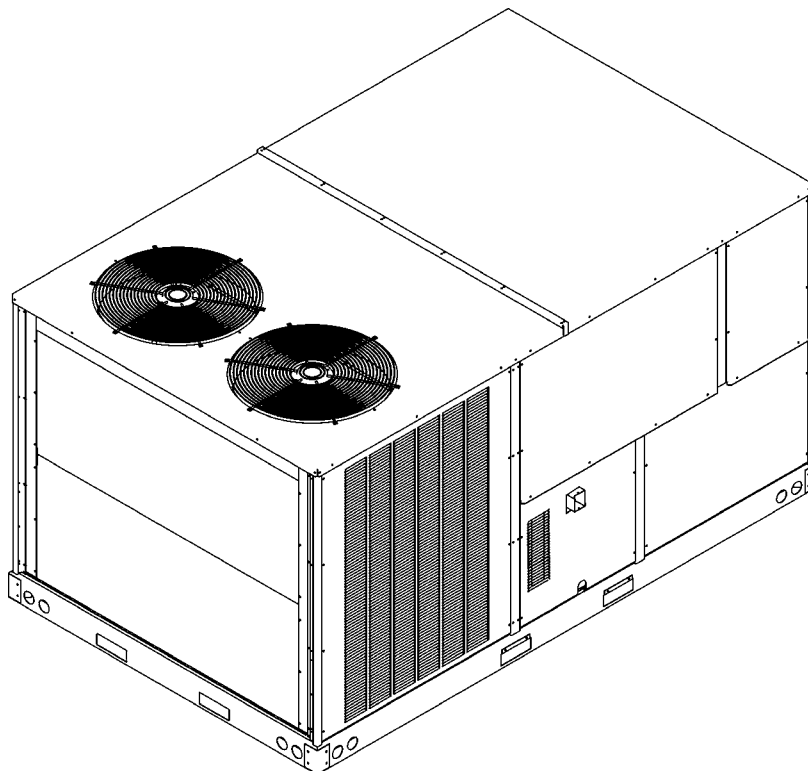


REPAIR PARTS

Light Commercial 3 Phase 7.5-12 Ton Pkg Heat Pumps

CPH090XXX3BXJXAA
CPH090XXX3BXXXAA
CPH090XXX3HXXXAA
CPH090XXX4BXJXAA
CPH090XXX4BXXXAA
CPH090XXX4HXXXAA
CPH090XXX7BXJXAA
CPH090XXX7BXXXAA
CPH102XXX3BXXXAA
CPH102XXX4BXXXAA
CPH102XXX7BXXXAA
CPH120XXX3BXJXAA
CPH120XXX3BXXXAA
CPH120XXX3HXXXAA
CPH120XXX4BXJXAA
CPH120XXX4BXXXAA
CPH120XXX4HXXXAA
CPH120XXX7BXJXAA
CPH120XXX7BXXXAA
CPH150XXX3BXXXAA
CPH150XXX4BXXXAA
CPH150XXX7BXXXAA



This manual is to be used by qualified technicians only.

This manual replaces RP-495E.

© 2008-2010 Goodman Manufacturing Company, L.P. ♦ 5151 San Felipe, Suite 500 ♦ Houston, TX 77056

Important Information

Index

Functional Parts List	3
Illustration and Parts	4 - 13

Views shown are for parts illustrations only, not servicing procedures.

Revision F: Added models CPH090XXX7BXJXAA, CPH090XXX7BXXXAA, CPH120XXX7BXJXAA, and CPH120XXX7BXXXAA models.

Text Codes:

AR - As Required

NA - Not Available

NS - Not Shown

00000000 - See Note

QTY - Quantity Example (QTY 3) (If Quantity not shown, Quantity = 1)

M - Model Example (M1) (If M Code not shown, then part is used on all Models)

Expanded Model Nomenclature:

Example M1 - Model#1 M2 - Model#2 M3 - Model#3

Goodman Manufacturing Company, L.P. is not responsible for personal injury or property damage resulting from improper service. Review all service information before beginning repairs.

Warranty service must be performed by an authorized technician, using authorized factory parts. If service is required after the warranty expires, Goodman Manufacturing Company, L.P. also recommends contacting an authorized technician and using authorized factory parts.

Goodman Manufacturing Company, L.P. reserves the right to discontinue, or change at any time, specifications or designs without notice or without incurring obligations.

For assistance within the U.S.A. contact:
Consumer Affairs Department
Goodman Manufacturing Company, L.P.
7401 Security Way
Houston, Texas 77040
877-254-4729-Telephone
713-863-2382-Facsimile

For assistance outside the U.S.A. contact:
International Division
Goodman Manufacturing Company, L.P.
7401 Security Way
Houston, Texas 77040
713-861-2500-Telephone
713-863-2382-Facsimile

Functional Parts

Part

No: Description:

Part No:	Description:	Part No:	Description:
0130M00025S	24V RELAY	0130M00074	HIGH PRESSURE SWITCH, C1 (M20, M21, M22)
B3240006	BELT DRIVE MOTOR 2 HP (M1, M2, M3, M4, M5, M6, M9, M10, M12, M13, M15, M16)	0130M00030S	HIGH PRESSURE SWITCH, C2 (M1, M2, M3, M4, M5, M6, M7, M8, M9, M10, M11, M12, M13, M14, M15, M16, M17, M18, M19)
B3240004	BELT DRIVE MOTOR 2 HP (M14, M17, M20, M21)	0130M00074	HIGH PRESSURE SWITCH, C2 (M20, M21, M22)
0131L00005	BELT DRIVE MOTOR 2 HP 575 V (M7, M8, M11, M18, M19)	0130L00003S	LOW PRESSURE SWITCH, C1 (M1, M2, M3, M4, M5, M6, M7, M8, M9, M10, M11, M12, M13, M14, M15, M16, M17, M18, M19)
0131L00006	BELT DRIVE MOTOR 3 HP 575 V (M22)	0130M00075	LOW PRESSURE SWITCH, C1 (M20, M21, M22)
CAP050000370VAS	CAPACITOR 5/370V (QTY 2)	0130L00002S	LOW PRESSURE SWITCH, C2 (M1, M2, M3, M4, M5, M6, M7, M8, M9, M10, M11, M12, M13, M14, M15, M16, M17, M18, M19)
ZP39K5ETF5830	COMPRESSOR 39000, 200/230/60/3 (M1, M2, M3)	0130M00075	LOW PRESSURE SWITCH, C2 (M20, M21, M22)
ZP39K5ETFD830	COMPRESSOR 39000, 460/60/3 (M4, M5, M6)	B1225022S	SOLENOID COIL (QTY 2)
ZP39K5ETFE830	COMPRESSOR 39000, 575/60/3 (M7, M8)	B1141672	TRANSFORMER 480V, 75VA, RESETTABLE (M1, M2, M3, M9, M12, M13, M14, M20)
ZP44K5ETF5130	COMPRESSOR 44000, 200/230/60/3 (M9)	B1141672	TRANSFORMER 480V, 75VA, RESETTABLE (M4, M5, M6, M10, M15, M16, M17, M21)
ZP44K5ETFD130	COMPRESSOR 44000, 460/60/3 (M10)	0130M00045S	TRANSFORMER 575/24V (M7, M8, M11, M18, M19, M22)
ZP44K5ETFE130	COMPRESSOR 44000, 575/60/3 (M11)		
ZP51K5ETF5830	COMPRESSOR 51000, 208/230/60/3 (M12, M13, M14)		
ZP51K5ETFD830	COMPRESSOR 51000, 460/60/3 (M15, M16, M17)		
ZP51K5ETFE830	COMPRESSOR 51000, 575/60/3 (M18, M19)		
ZP67KCETFD830	COMPRESSOR 67000, 460/60/3 (M21)		
ZP67KCETF5830	COMPRESSOR 67500, 200/230/60/3 (M20)		
ZP67KCETFE830	COMPRESSOR 67500, 575/60/3 (M22)		
0131M00008PS	COND MOTOR 1/3 HP, 1 SP, 6 PL (M12, M13, M14, M20)		
B13400249S	COND MOTOR 1/3 HP, 460V (M15, M16, M17, M21)		
0131M00179	COND MOTOR 1/3 HP, 6 PL, 575V (M18, M19, M22)		
0131M00007PS	COND MOTOR 1/4 HP, 1 SP, 6 PL (M1, M2, M3, M9)		
B13400269S	COND MOTOR 380/460 50/60 CYCLE (M4, M5, M6, M10)		
0131M00098S	COND MOTOR 575V (M7, M8, M11)		
CONT3P025024VS	CONTACTOR 25 AMP, 3P, 24V (M1, M2, M3, M4, M5, M6, M7, M8, M9, M10, M11, M12, M13, M14, M15, M16, M17, M18, M19, M21, M22)		
CONT3P030024VS	CONTACTOR 30 AMP, 3P, 24V (M20)		
CONT2P040024VS	CONTACTOR 40 AMP, 2P, 24V		
0130M00033S	DEFROST CONTROL		
0130M00032S	DEFROST CONTROL (M1, M2, M3, M4, M5, M6, M7, M8, M9, M10, M11, M12, M13, M14, M15, M16, M17, M18, M19)		
0130M00071	DEFROST CONTROL (M20, M21, M22)		
PCBDM130	DEFROST CONTROL BOARD		
PCBFM131	ELECTRONIC TIME DELAY RELAY		
0130M00031S	HIGH PRESSURE SWITCH, C1 (M1, M2, M3, M4, M5, M6, M7, M8, M9, M10, M11, M12, M13, M14, M15, M16, M17, M18, M19)		

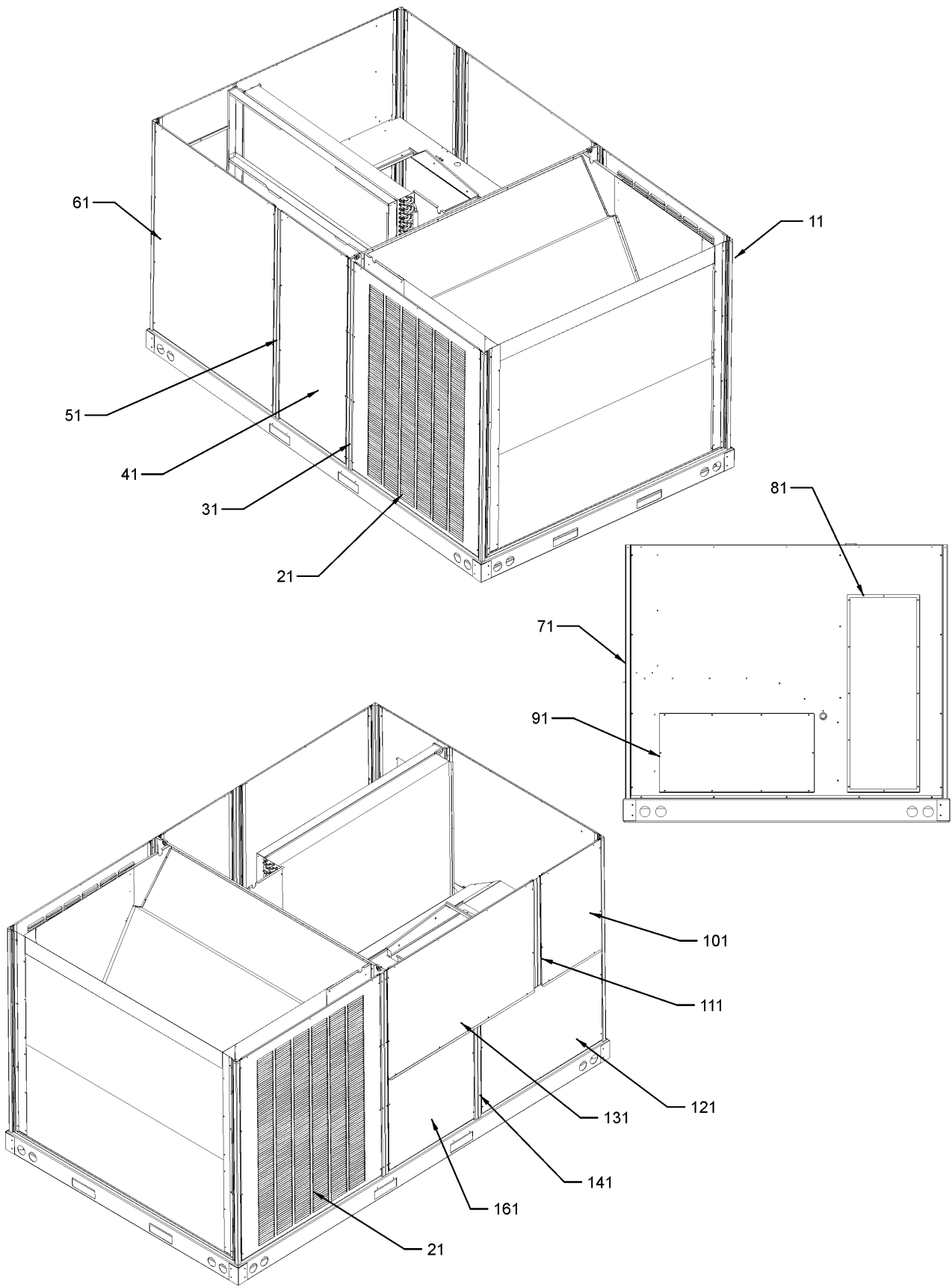
SPECIAL PARTS

IO-339H INSTALLATION INSTRUCTIONS

Expanded Model Nomenclature

M1 - CPH090XXX3BXJXAA
M2 - CPH090XXX3BXXXAA
M3 - CPH090XXX3HXXXAA
M4 - CPH090XXX4BXJXAA
M5 - CPH090XXX4BXXXAA
M6 - CPH090XXX4HXXXAA
M7 - CPH090XXX7BXJXAA
M8 - CPH090XXX7BXXXAA
M9 - CPH102XXX3BXXXAA
M10 - CPH102XXX4BXXXAA
M11 - CPH102XXX7BXXXAA
M12 - CPH120XXX3BXJXAA
M13 - CPH120XXX3BXXXAA
M14 - CPH120XXX3HXXXAA
M15 - CPH120XXX4BXJXAA
M16 - CPH120XXX4BXXXAA
M17 - CPH120XXX4HXXXAA
M18 - CPH120XXX7BXJXAA
M19 - CPH120XXX7BXXXAA
M20 - CPH150XXX3BXXXAA
M21 - CPH150XXX4BXXXAA
M22 - CPH150XXX7BXXXAA

Cabinet Assy



Cabinet Assy

Ref. Part No:	No:	Description:	Ref. Part No:	No:	Description:																						
<i>Image 1:</i>			<i>Image 1:</i>																								
11	0121L00065RFDG	CORNER POST (M1, M2, M3, M4, M5, M6, M7, M8, M9, M10, M11, M12, M13, M14, M15, M16, M17, M18, M19)	161	0121L00118DG	BURNER DOOR (M1, M2, M3, M4, M5, M6, M12, M13, M14, M15, M16, M17)																						
11	0121L00487RFDG	CORNER POST (M20, M21, M22)	161	0121L00406DG	BURNER DOOR (M7, M8, M9, M10, M11, M18, M19, M20, M21, M22)																						
21	0121L00115DG	LOUVERED SIDE PANEL (M1, M2, M3, M4, M5, M6, M12, M13, M14, M15, M16, M17)	Expanded Model Nomenclature																								
21	0121L00386DG	LOUVERED SIDE PANEL (M20, M21, M22)	<table border="1"> <tr><td>M1 - CPH090XXX3BXJXAA</td></tr> <tr><td>M2 - CPH090XXX3BXXXAA</td></tr> <tr><td>M3 - CPH090XXX3HXXXAA</td></tr> <tr><td>M4 - CPH090XXX4BXJXAA</td></tr> <tr><td>M5 - CPH090XXX4BXXXAA</td></tr> <tr><td>M6 - CPH090XXX4HXXXAA</td></tr> <tr><td>M7 - CPH090XXX7BXJXAA</td></tr> <tr><td>M8 - CPH090XXX7BXXXAA</td></tr> <tr><td>M9 - CPH102XXX3BXXXAA</td></tr> <tr><td>M10 - CPH102XXX4BXXXAA</td></tr> <tr><td>M11 - CPH102XXX7BXXXAA</td></tr> <tr><td>M12 - CPH120XXX3BXJXAA</td></tr> <tr><td>M13 - CPH120XXX3BXXXAA</td></tr> <tr><td>M14 - CPH120XXX3HXXXAA</td></tr> <tr><td>M15 - CPH120XXX4BXJXAA</td></tr> <tr><td>M16 - CPH120XXX4BXXXAA</td></tr> <tr><td>M17 - CPH120XXX4HXXXAA</td></tr> <tr><td>M18 - CPH120XXX7BXJXAA</td></tr> <tr><td>M19 - CPH120XXX7BXXXAA</td></tr> <tr><td>M20 - CPH150XXX3BXXXAA</td></tr> <tr><td>M21 - CPH150XXX4BXXXAA</td></tr> <tr><td>M22 - CPH150XXX7BXXXAA</td></tr> </table>			M1 - CPH090XXX3BXJXAA	M2 - CPH090XXX3BXXXAA	M3 - CPH090XXX3HXXXAA	M4 - CPH090XXX4BXJXAA	M5 - CPH090XXX4BXXXAA	M6 - CPH090XXX4HXXXAA	M7 - CPH090XXX7BXJXAA	M8 - CPH090XXX7BXXXAA	M9 - CPH102XXX3BXXXAA	M10 - CPH102XXX4BXXXAA	M11 - CPH102XXX7BXXXAA	M12 - CPH120XXX3BXJXAA	M13 - CPH120XXX3BXXXAA	M14 - CPH120XXX3HXXXAA	M15 - CPH120XXX4BXJXAA	M16 - CPH120XXX4BXXXAA	M17 - CPH120XXX4HXXXAA	M18 - CPH120XXX7BXJXAA	M19 - CPH120XXX7BXXXAA	M20 - CPH150XXX3BXXXAA	M21 - CPH150XXX4BXXXAA	M22 - CPH150XXX7BXXXAA
M1 - CPH090XXX3BXJXAA																											
M2 - CPH090XXX3BXXXAA																											
M3 - CPH090XXX3HXXXAA																											
M4 - CPH090XXX4BXJXAA																											
M5 - CPH090XXX4BXXXAA																											
M6 - CPH090XXX4HXXXAA																											
M7 - CPH090XXX7BXJXAA																											
M8 - CPH090XXX7BXXXAA																											
M9 - CPH102XXX3BXXXAA																											
M10 - CPH102XXX4BXXXAA																											
M11 - CPH102XXX7BXXXAA																											
M12 - CPH120XXX3BXJXAA																											
M13 - CPH120XXX3BXXXAA																											
M14 - CPH120XXX3HXXXAA																											
M15 - CPH120XXX4BXJXAA																											
M16 - CPH120XXX4BXXXAA																											
M17 - CPH120XXX4HXXXAA																											
M18 - CPH120XXX7BXJXAA																											
M19 - CPH120XXX7BXXXAA																											
M20 - CPH150XXX3BXXXAA																											
M21 - CPH150XXX4BXXXAA																											
M22 - CPH150XXX7BXXXAA																											
21	0121L00511DG	LOUVERED SIDE PANEL (M7, M8, M9, M10, M11, M18, M19)																									
31	0121L00066RFDG	POST-SIDE SUPPORT (M1, M2, M3, M4, M5, M6, M7, M8, M9, M10, M11, M12, M13, M14, M15, M16, M17, M18, M19)																									
31	0121L00488RFDG	POST-SIDE SUPPORT (M20, M21, M22)																									
41	0270L00038S	INSULATED ASSY, FILTER DOOR (M1, M2, M3, M4, M5, M6, M12, M13, M14, M15, M16, M17)																									
41	0270L00168	INSULATED ASSY, FILTER DOOR (M20, M21, M22)																									
41	0270L00176	INSULATED ASSY, FILTER DOOR (M7, M8, M9, M10, M11, M18, M19)																									
51	0121L00116RFDG	SIDE POST-FILTER DOOR (M1, M2, M3, M4, M5, M6, M7, M8, M9, M10, M11, M12, M13, M14, M15, M16, M17, M18, M19)																									
51	0121L00382RFDG	SIDE POST-FILTER DOOR (M20, M21, M22)																									
61	0270L00037S	INSULATED ASSY, ECONOMIZER DOOR (M1, M2, M3, M4, M5, M6, M12, M13, M14, M15, M16, M17)																									
61	0270L00167	INSULATED ASSY, ECONOMIZER DOOR (M20, M21, M22)																									
61	0270L00175	INSULATED ASSY, ECONOMIZER DOOR (M7, M8, M9, M10, M11, M18, M19)																									
71	0270L00035S	INSULATED ASSY, DUCT PANEL (M1, M2, M3, M4, M5, M6, M12, M13, M14, M15, M16, M17)																									
71	0270L00164	INSULATED ASSY, DUCT PANEL (M20, M21, M22)																									
71	0270L00180	INSULATED ASSY, DUCT PANEL (M7, M8, M9, M10, M11, M18, M19)																									
81	0270L00041S	INSULATED ASSY, SUPPLY DUCT																									
91	0270L00040S	INSULATED ASSY, RETURN DUCT																									
101	0121G00315DG	CONTROL DOOR (M1, M2, M3, M4, M5, M6, M7, M8, M9, M10, M11, M12, M13, M14, M15, M16, M17, M18, M19)																									
101	0270L00170	CONTROL DOOR (M20, M21, M22)																									
111	0121L00067RFDG	POST-CONTROL DOOR (M1, M2, M3, M4, M5, M6, M7, M8, M9, M10, M11, M12, M13, M14, M15, M16, M17, M18, M19)																									
111	0121L00491RFDG	POST-CONTROL DOOR (M20, M21, M22)																									
121	0270L00039S	INSULATED ASSY, HEAT EXCHANGER DOOR (M1, M2, M3, M4, M5, M6, M12, M13, M14, M15, M16, M17)																									
121	0270L00169	INSULATED ASSY, HEAT EXCHANGER DOOR (M7, M8, M9, M10, M11, M18, M19, M20, M21, M22)																									
131	0270L00036S	INSULATED ASSY, BLOWER DOOR (M1, M2, M3, M4, M5, M6, M12, M13, M14, M15, M16, M17)																									
131	0270L00166	INSULATED ASSY, BLOWER DOOR (M20, M21, M22)																									
131	0270L00174	INSULATED ASSY, BLOWER DOOR (M7, M8, M9, M10, M11, M18, M19)																									
141	0121L00068RFDG	POST-BURNER DOOR																									

Top Panel / Tubing Assy

Image 1

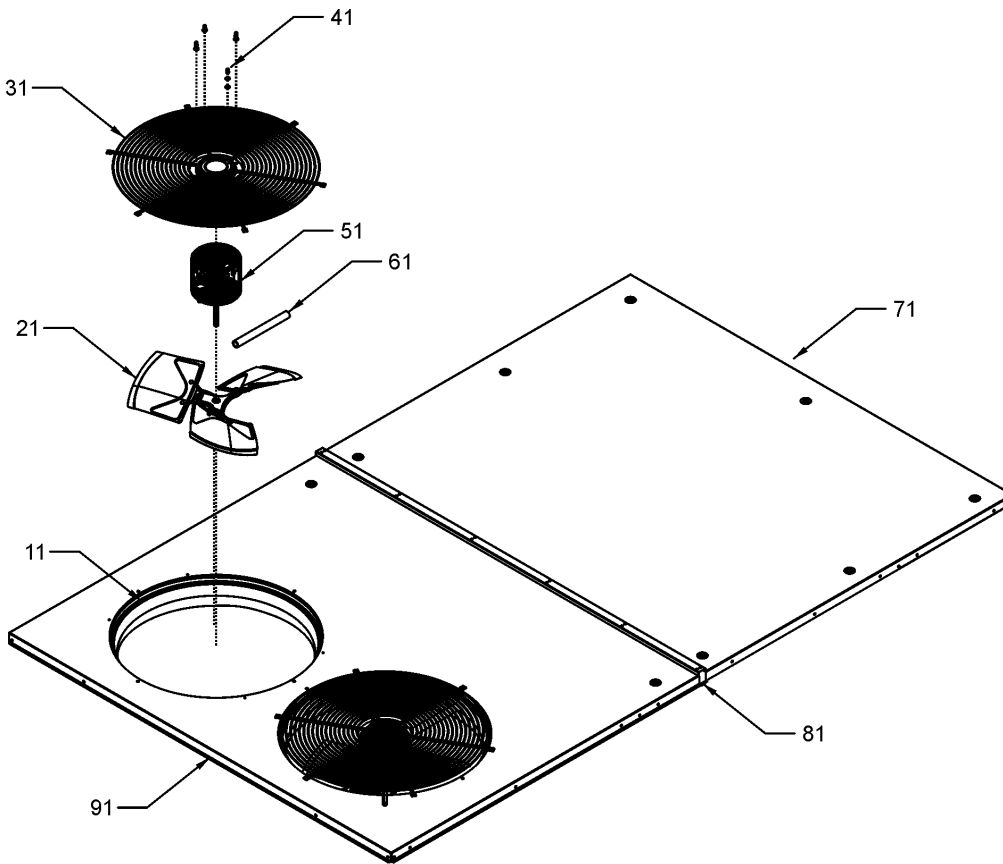
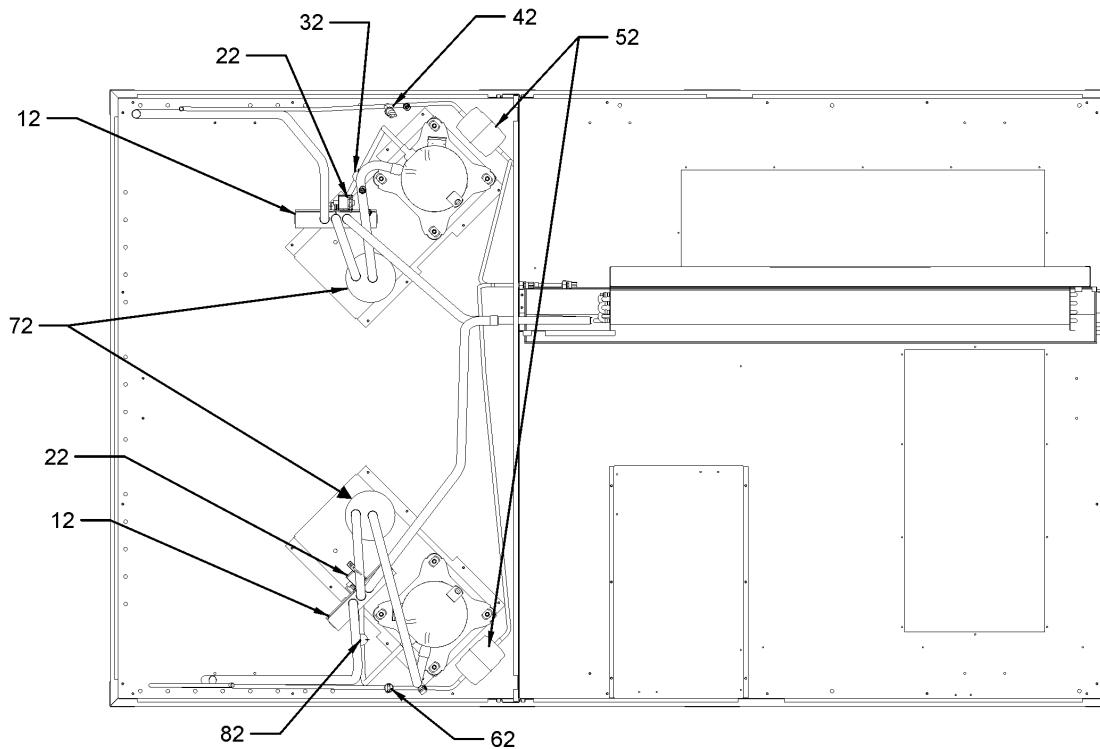


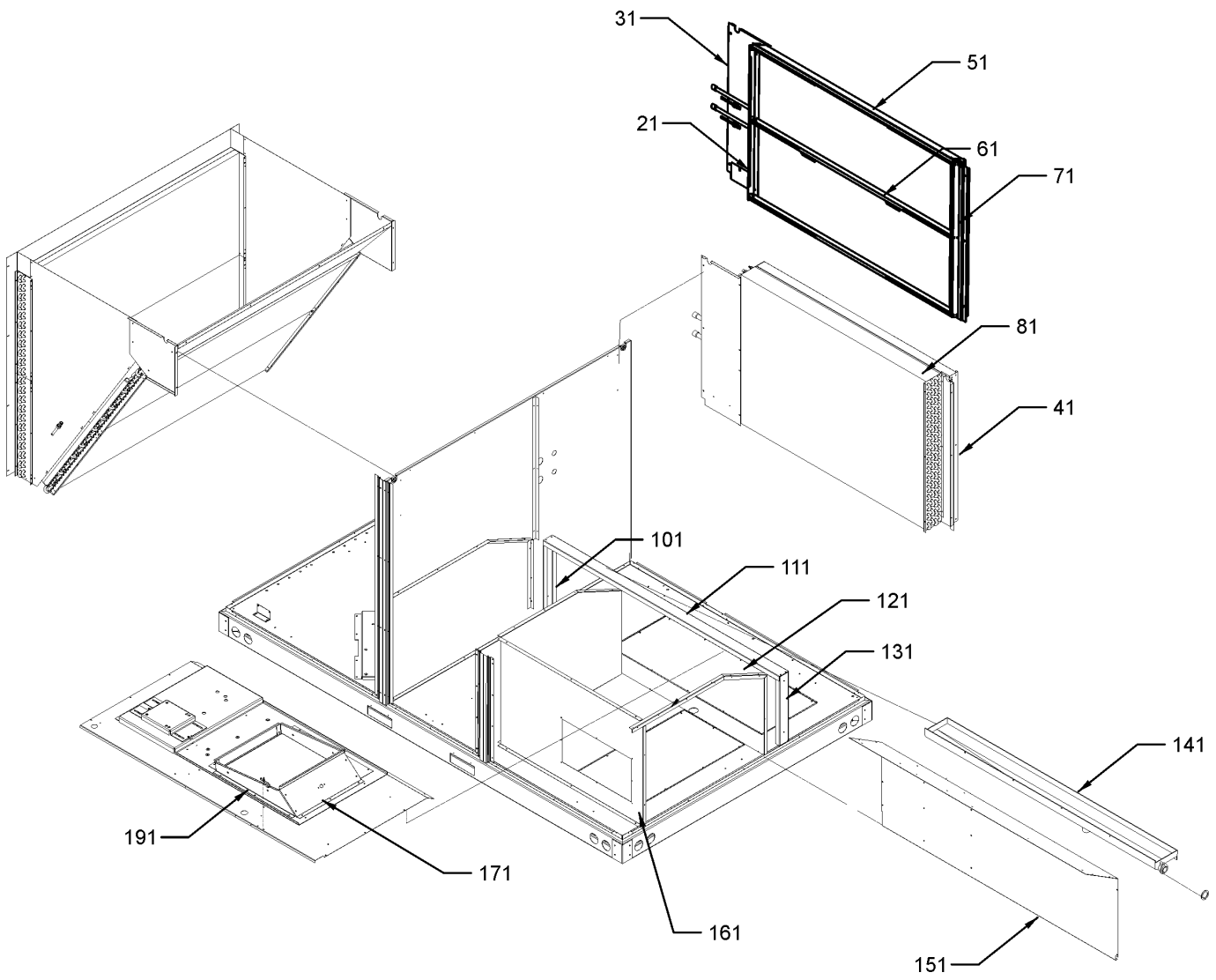
Image 2



Top Panel / Tubing Assy

Ref. Part No: No:	Description:	Ref. Part No: No:	Description:		
<i>Image 1:</i>		<i>Image 2:</i>			
11	0161L00000 VENTURI RING 22" (QTY 2)	62	0130L00002S LOW PRESSURE SWITCH, C2 (M1, M2, M3, M4, M5, M6, M7, M8, M9, M10, M11, M12, M13, M14, M15, M16, M17, M18, M19)		
21	0150G00001S FAN BLADE (M1, M2, M3, M4, M5, M6, M7, M8, M9, M10, M11)	62	0130M00075 LOW PRESSURE SWITCH, C2 (M20, M21, M22)		
21	10625733S FAN BLADE 22" ALUM CCW (M12, M13, M14, M15, M16, M17, M18, M19, M20, M21, M22)	72	0151L00001 ACCUMULATOR (M20, M21, M22)		
31	0131M00008PS COND MOTOR 1/3 HP, 1 SP, 6 PL (M12, M13, M14, M20)	72	B1226207 ACCUMULATOR .875 (M1, M2, M3, M4, M5, M6, M7, M8, M9, M10, M11, M12, M13, M14, M15, M16, M17, M18, M19)		
31	0131M00179 COND MOTOR 1/3 HP, 6 PL, 575V (M18, M19, M22)	82	0130M00030S HIGH PRESSURE SWITCH, C2 (M1, M2, M3, M4, M5, M6, M7, M8, M9, M10, M11, M12, M13, M14, M15, M16, M17, M18, M19)		
31	0131M00007PS COND MOTOR 1/4 HP, 1 SP, 6 PL (M1, M2, M3, M9)	82	0130M00074 HIGH PRESSURE SWITCH, C2 (M20, M21, M22)		
31	0131M00098S COND MOTOR 575V (M7, M8, M11)	NS	B1373315 ACCESS FITTING (QTY 4)		
31	0152G00002S FAN GRILLE (QTY 2)	NS	0130M00032S DEFROST CONTROL (M1, M2, M3, M4, M5, M6, M7, M8, M9, M10, M11, M12, M13, M14, M15, M16, M17, M18, M19)		
41	0163M00006P ACORN NUT 5/16 HEX BLACK (QTY 8)	NS	0130M00033S DEFROST CONTROL		
51	B13400249S COND MOTOR 1/3 HP, 460V (M15, M16, M17, M21)	NS	0130M00071 DEFROST CONTROL (M20, M21, M22)		
51	B13400269S COND MOTOR 380/460 50/60 CYCLE (M4, M5, M6, M10)	Expanded Model Nomenclature			
61	17788000083F PVC CONDUIT 8.25" (QTY 2)	<div style="border: 1px solid black; padding: 5px;"> M1 - CPH090XXX3BXJXAA M2 - CPH090XXX3BXXXAA M3 - CPH090XXX3HXXXAA M4 - CPH090XXX4BXJXAA M5 - CPH090XXX4BXXXAA M6 - CPH090XXX4HXXXAA M7 - CPH090XXX7BXJXAA M8 - CPH090XXX7BXXXAA M9 - CPH102XXX3BXXXAA M10 - CPH102XXX4BXXXAA M11 - CPH102XXX7BXXXAA M12 - CPH120XXX3BXJXAA M13 - CPH120XXX3BXXXAA M14 - CPH120XXX3HXXXAA M15 - CPH120XXX4BXJXAA M16 - CPH120XXX4BXXXAA M17 - CPH120XXX4HXXXAA M18 - CPH120XXX7BXJXAA M19 - CPH120XXX7BXXXAA M20 - CPH150XXX3BXXXAA M21 - CPH150XXX4BXXXAA M22 - CPH150XXX7BXXXAA </div>			
71	0121L00113DGS EVAP TOP PANEL (M1, M2, M3, M4, M5, M6, M12, M13, M14, M15, M16, M17, M20, M21, M22)				
71	0121L00497DG EVAP TOP PANEL (M7, M8, M9, M10, M11, M18, M19)				
81	0121L00114DG SPLICE (M1, M2, M3, M4, M5, M6, M12, M13, M14, M15, M16, M17, M20, M21, M22)				
91	0121G00312DGS COND TOP PANEL				
NS	B9102097 CAP W/O-RING (QTY 4)				
NS	0259L00096 COND MOTOR HARNESS (M20, M22)				
NS	0259L00097 COND MOTOR HARNESS (M21)				
NS	0259L00025 COND MOTOR HARNESS 230V (M1, M2, M3, M7, M8, M9, M11, M12, M13, M14, M18, M19)				
NS	0259L00027 COND MOTOR HARNESS 230V (M1, M2, M3, M7, M8, M9, M11, M12, M13, M14, M18, M19, M20, M22)				
NS	0259L00026 COND MOTOR HARNESS 460V (M4, M5, M6, M10, M15, M16, M17)				
NS	0259L00028 COND MOTOR HARNESS 460V (M4, M5, M6, M10, M15, M16, M17, M21)				
<i>Image 2:</i>					
12	0151M00020S REVERSING VALVE (M20, M21, M22)				
12	0151M00021S REVERSING VALVE (M1, M2, M3, M4, M5, M6, M7, M8, M9, M10, M11, M12, M13, M14, M15, M16, M17, M18, M19)				
22	B1225022S SOLENOID COIL (QTY 2)				
32	0130M00031S HIGH PRESSURE SWITCH, C1 (M1, M2, M3, M4, M5, M6, M7, M8, M9, M10, M11, M12, M13, M14, M15, M16, M17, M18, M19)				
32	0130M00074 HIGH PRESSURE SWITCH, C1 (M20, M21, M22)				
42	0130L00003S LOW PRESSURE SWITCH, C1 (M1, M2, M3, M4, M5, M6, M7, M8, M9, M10, M11, M12, M13, M14, M15, M16, M17, M18, M19)				
42	0130M00075 LOW PRESSURE SWITCH, C1 (M20, M21, M22)				
52	0151M00012 BI-FLOW FILTER DRIER (M20, M21, M22)				
52	B1219204 BI-FLOW FILTER DRIER (M1, M2, M3, M4, M5, M6, M7, M8, M9, M10, M11, M12, M13, M14, M15, M16, M17, M18, M19)				

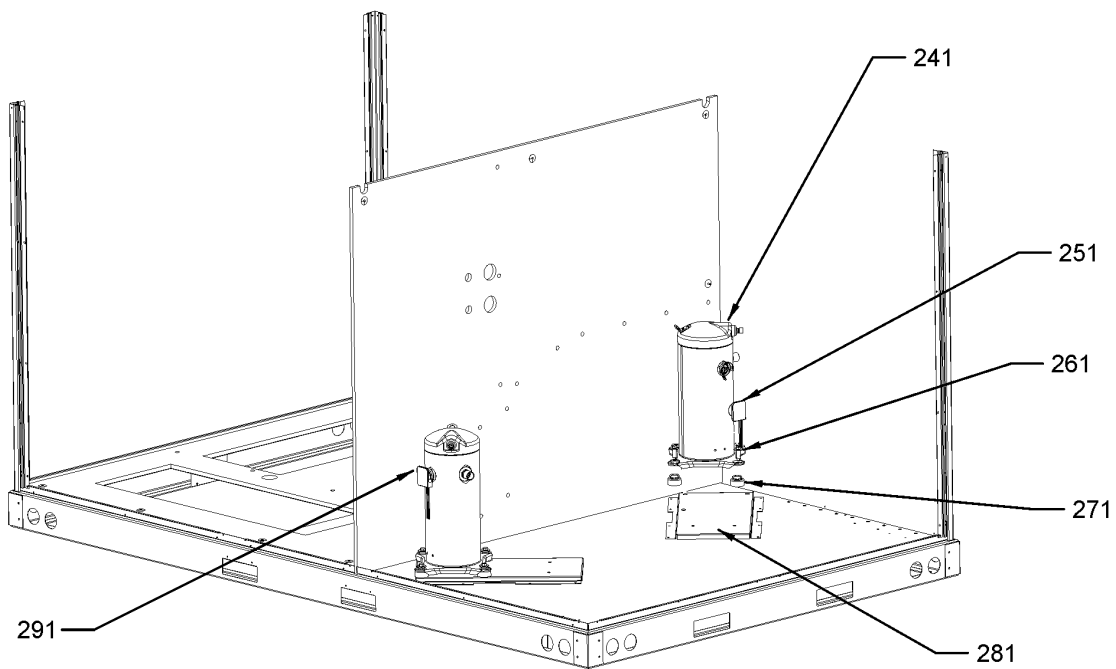
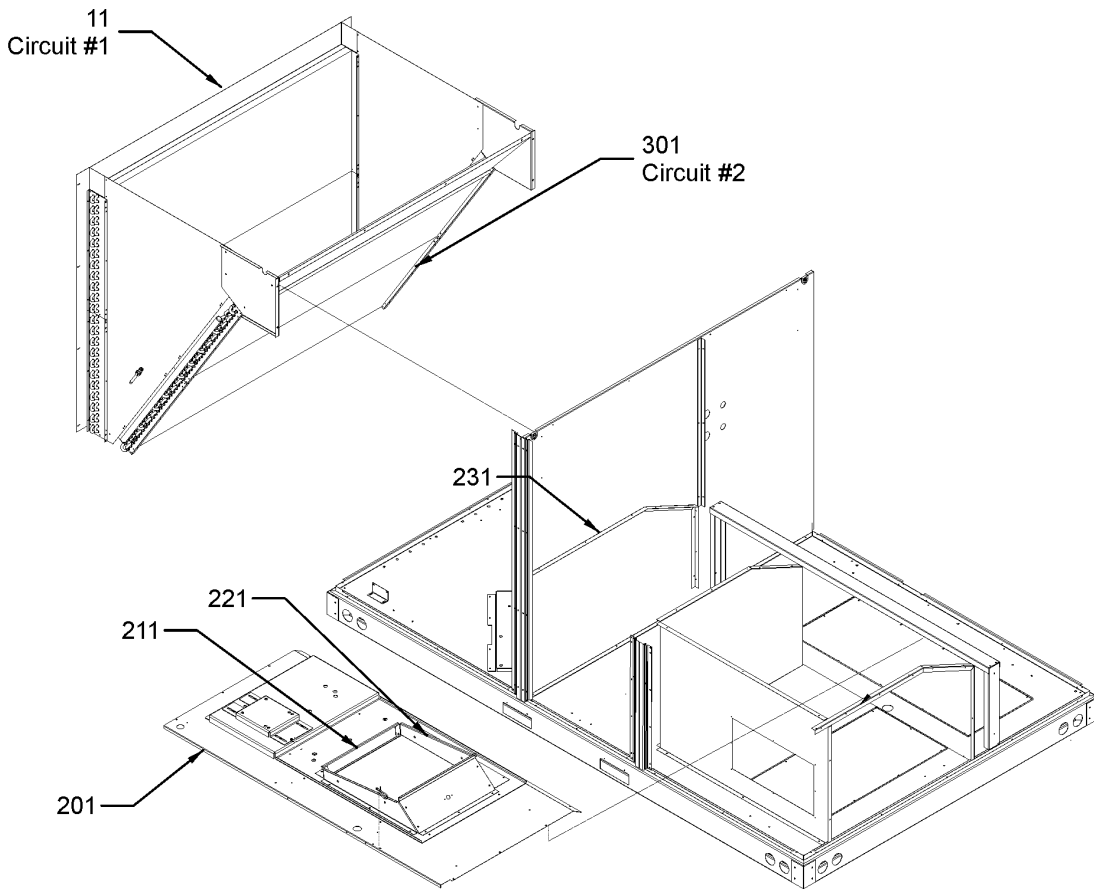
Partition Assy



Partition Assy

Ref. Part No:	No:	Description:	Ref. Part No:	No:	Description:
<i>Image 1:</i>			<i>Image 1:</i>		
21	0121L00650	ANGLE, FILTER VERTICAL (M7, M8, M9, M10, M11, M18, M19)	151	0121L00374	DECK SIDE CHANNEL (M7, M8, M9, M10, M11, M18, M19, M20, M21, M22)
21	0121L00226	FILTER ANGLE-VERTICAL (RETURN SIDE) (M1, M2, M3, M4, M5, M6, M12, M13, M14, M15, M16, M17)	161	0121L00167	ELECTRIC HEAT PANEL (M1, M2, M3, M4, M5, M6, M12, M13, M14, M15, M16, M17)
21	0270L00184	SIDE VERTICAL WELDMENT, RET (M20, M21, M22)	161	0121L00365	ELECTRIC HEAT PANEL (M7, M8, M9, M10, M11, M18, M19, M20, M21, M22)
31	0121L00210	EVAP EXTENSION-RETURN SIDE (M1, M2, M3, M4, M5, M6, M7, M8, M9, M10, M11, M12, M13, M14, M15, M16, M17, M18, M19)	171	0121L00090	BLOWER TRANSITION, RH END (M1, M2, M3, M4, M5, M6, M7, M8, M9, M10, M11)
31	0121L00517	EVAP EXTENSION-RETURN SIDE (M20, M21, M22)	171	0121L00168	BLOWER TRANSITION, RH END (M12, M13, M14, M15, M16, M17, M18, M19, M20, M21, M22)
41	0121L00209	EVAP EXTENSION-HAIRPIN SIDE (M1, M2, M3, M4, M5, M6, M7, M8, M9, M10, M11, M12, M13, M14, M15, M16, M17, M18, M19)	191	0121L00092	BLOWER TRANSITION, FRONT
41	0121L00518	EVAP EXTENSION-HAIRPIN SIDE (M20, M21, M22)	NS	0160L00021S	FILTER (M1, M2, M3, M4, M5, M6, M7, M8, M9, M10, M11, M12, M13, M14, M15, M16, M17, M18, M19)
51	0121L00649	ANGLE, FILTER HORIZONTAL (M7, M8, M9, M10, M11, M18, M19)	NS	B1369611	FILTER 20 X 25 X 2 (M20, M21, M22)
51	0121L00223	FILTER ANGLE-HORIZONTAL (M1, M2, M3, M4, M5, M6, M12, M13, M14, M15, M16, M17)	NS	0162L00003S	FLOWRATOR .076 [EVAP] (M1, M2, M3, M4, M5, M6)
51	0121L00399	FILTER ANGLE-HORIZONTAL (M20, M21, M22)	NS	0162L00015	FLOWRATOR .078 [EVAP] (M7, M8)
61	0121L00648	ANGLE, FILTER CENTER (M7, M8, M9, M10, M11, M18, M19)	NS	0162L00021	FLOWRATOR .080 [EVAP] (M9, M10, M11)
61	0270L00161	FILTER ANGLE-HORIZONTAL (CENTER) (M20, M21, M22)	NS	0162L00004S	FLOWRATOR .084 [EVAP] (M18, M19)
61	0121L00224	FILTER RACK STRAP (M1, M2, M3, M4, M5, M6, M12, M13, M14, M15, M16, M17)	NS	0162L00011S	FLOWRATOR .086 [EVAP] (M12, M13, M14, M15, M16, M17)
71	0121L00227	FILTER ANGLE-VERTICAL (HAIRPIN SIDE) (M1, M2, M3, M4, M5, M6, M12, M13, M14, M15, M16, M17)	NS	0162M00129	FLOWRATOR .096 [EVAP] (M20, M21, M22)
71	0121L00358	FILTER ANGLE-VERTICAL (HAIRPIN SIDE) (M7, M8, M9, M10, M11, M18, M19)	Expanded Model Nomenclature		
71	0270L00185	SIDE VERTICAL WELDMENT, HPIN (M20, M21, M22)	M1 - CPH090XXX3BXJXAA		
81	0202L00004S	TUBING ASSY, EVAP COIL (M1, M2, M3, M4, M5, M6)	M2 - CPH090XXX3BXXXAA		
81	0202L00007S	TUBING ASSY, EVAP COIL (M12, M13, M14, M15, M16, M17)	M3 - CPH090XXX3HXXXAA		
81	0202L00044	TUBING ASSY, EVAP COIL (M20, M21, M22)	M4 - CPH090XXX4BXJXAA		
81	0202L00050	TUBING ASSY, EVAP COIL (M9, M10, M11)	M5 - CPH090XXX4BXXXAA		
81	0202L00058	TUBING ASSY, EVAP COIL (M7, M8)	M6 - CPH090XXX4HXXXAA		
81	0202L00059	TUBING ASSY, EVAP COIL (M18, M19)	M7 - CPH090XXX7BXJXAA		
101	0121L00089	SUPPORT LEG-DRAIN PAN (M1, M2, M3, M4, M5, M6, M12, M13, M14, M15, M16, M17)	M8 - CPH090XXX7BXXXAA		
111	0121L00086	DRAIN PAN SUPPORT (M1, M2, M3, M4, M5, M6, M12, M13, M14, M15, M16, M17)	M9 - CPH102XXX3BXXXAA		
111	0121L00372	DRAIN PAN SUPPORT (M20, M21, M22)	M10 - CPH102XXX4BXXXAA		
111	0121L00508	DRAIN PAN SUPPORT (M7, M8, M9, M10, M11, M18, M19)	M11 - CPH102XXX7BXXXAA		
121	0121L00103	MOUNTING ANGLE, DECK-DUCT SIDE (M1, M2, M3, M4, M5, M6, M12, M13, M14, M15, M16, M17)	M12 - CPH120XXX3BXJXAA		
131	0121L00087	SUPPORT LEG-DRAIN PAN (M1, M2, M3, M4, M5, M6, M12, M13, M14, M15, M16, M17)	M13 - CPH120XXX3BXXXAA		
141	0161L00002	DRAIN PAN	M14 - CPH120XXX3HXXXAA		
151	0121L00105	DECK SIDE CHANNEL (M1, M2, M3, M4, M5, M6, M12, M13, M14, M15, M16, M17)	M15 - CPH120XXX4BXJXAA		
			M16 - CPH120XXX4BXXXAA		
			M17 - CPH120XXX4HXXXAA		
			M18 - CPH120XXX7BXJXAA		
			M19 - CPH120XXX7BXXXAA		
			M20 - CPH150XXX3BXXXAA		
			M21 - CPH150XXX4BXXXAA		
			M22 - CPH150XXX7BXXXAA		

Compressor / Condenser / Partition Assy



Compressor / Condenser / Partition Assy

Ref. Part No:	No:	Description:	Ref. Part No:	No:	Description:
<i>Image 1:</i>			<i>Image 1:</i>		
11	0201L00002S	TUBING ASSY, COND COIL (M2, M3, M5, M6)	301	0201L00002S	TUBING ASSY, COND COIL (M2, M3, M5, M6)
11	0201L00015S	TUBING ASSY, COND COIL (M13, M14, M16, M17, M19)	301	0201L00016S	TUBING ASSY, COND COIL (M13, M14, M16, M17, M19)
11	0201L00025S	TUBING ASSY, COND COIL (M1, M4)	301	0201L00025S	TUBING ASSY, COND COIL (M1, M4)
11	0201L00028S	TUBING ASSY, COND COIL (M12, M15, M18)	301	0201L00029S	TUBING ASSY, COND COIL (M12, M15, M18)
11	0201L00078	TUBING ASSY, COND COIL (M20, M21, M22)	301	0201L00093	TUBING ASSY, COND COIL (M20, M21, M22)
11	0201L00097	TUBING ASSY, COND COIL (M9, M10, M11)	301	0201L00096	TUBING ASSY, COND COIL (M9, M10, M11)
11	0201L00107	TUBING ASSY, COND COIL (M8)	301	0201L00107	TUBING ASSY, COND COIL (M8)
11	0201L00109	TUBING ASSY, COND COIL (M7)	301	0201L00109	TUBING ASSY, COND COIL (M7)
201	0121L00219	BLOWER DECK (M1, M2, M3, M4, M5, M6, M12, M13, M14, M15, M16, M17)	NS	0162L00002S	FLOWRATOR .052 [COND] (M1, M2, M3, M4, M5, M6)
201	0121L00373	BLOWER DECK (M7, M8, M9, M10, M11, M18, M19, M20, M21, M22)	NS	0162L00000	FLOWRATOR .055 [COND] (M7, M8)
211	0121L00097	BLOWER TRANSITION, LH END (M1, M2, M3, M4, M5, M6, M7, M8, M9, M10, M11)	NS	0162L00022	FLOWRATOR .059 [COND] (M9, M10, M11)
211	0121L00169	BLOWER TRANSITION, LH END (M12, M13, M14, M15, M16, M17, M18, M19, M20, M21, M22)	NS	0162L00006S	FLOWRATOR .064 [COND] (M12, M13, M14, M15, M16, M17, M18, M19)
221	0121L00094	BLOWER TRANSITION, BACK (M12, M13, M14, M15, M16, M17, M18, M19, M20, M21, M22)	NS	0162M00125	FLOWRATOR .067 [COND] (M20, M21, M22)
221	0121L00145	BLOWER TRANSITION, BACK (M1, M2, M3, M4, M5, M6, M7, M8, M9, M10, M11)	Expanded Model Nomenclature		
231	0121L00102	MOUNTING ANGLE, DECK-COND SIDE (M1, M2, M3, M4, M5, M6, M12, M13, M14, M15, M16, M17)	M1 - CPH090XXX3BXJXAA		
241	ZP39K5ETFE5830	COMPRESSOR 39000, 200/230/60/3 (M1, M2, M3)	M2 - CPH090XXX3BXXXAA		
241	ZP39K5ETFD830	COMPRESSOR 39000, 460/60/3 (M4, M5, M6)	M3 - CPH090XXX3HXXXAA		
241	ZP39K5ETFE830	COMPRESSOR 39000, 575/60/3 (M7, M8)	M4 - CPH090XXX4BXJXAA		
241	ZP44K5ETF5130	COMPRESSOR 44000, 200/230/60/3 (M9)	M5 - CPH090XXX4BXXXAA		
241	ZP44K5ETFD130	COMPRESSOR 44000, 460/60/3 (M10)	M6 - CPH090XXX4HXXXAA		
241	ZP44K5ETFE130	COMPRESSOR 44000, 575/60/3 (M11)	M7 - CPH090XXX7BXJXAA		
241	ZP51K5ETF5830	COMPRESSOR 51000, 208/230/60/3 (M12, M13, M14)	M8 - CPH090XXX7BXXXAA		
241	ZP51K5ETFD830	COMPRESSOR 51000, 460/60/3 (M15, M16, M17)	M9 - CPH102XXX3BXXXAA		
241	ZP51K5ETFE830	COMPRESSOR 51000, 575/60/3 (M18, M19)	M10 - CPH102XXX4BXXXAA		
241	ZP67KCETFD830	COMPRESSOR 67000, 460/60/3 (M21)	M11 - CPH102XXX7BXXXAA		
241	ZP67KCETF5830	COMPRESSOR 67500, 200/230/60/3 (M20)	M12 - CPH120XXX3BXJXAA		
241	ZP67KCETFE830	COMPRESSOR 67500, 575/60/3 (M22)	M13 - CPH120XXX3BXXXAA		
251	0159L00004	COMPRESSOR SCROLL HARNESS (M1, M2, M3, M4, M5, M6, M7, M8, M9, M10, M11, M12, M13, M14, M15, M16, M17, M18, M19, M21, M22)	M14 - CPH120XXX3HXXXAA		
251	0159L00009	COMPRESSOR SCROLL HARNESS (M20)	M15 - CPH120XXX4BXJXAA		
261	M0221641	TF SHOULDER SCREW (QTY 8)	M16 - CPH120XXX4BXXXAA		
271	B1339533	COMPRESSOR GROMMET (QTY 8)	M17 - CPH120XXX4HXXXAA		
281	0121L00004	COMPRESSOR MOUNTING PLATE (M1, M2, M3, M4, M5, M6, M12, M13, M14, M15, M16, M17)	M18 - CPH120XXX7BXJXAA		
281	0121L00408	COMPRESSOR MOUNTING PLATE (M7, M8, M9, M10, M11, M18, M19, M20, M21, M22)	M19 - CPH120XXX7BXXXAA		
291	0159L00005	COMPRESSOR SCROLL HARNESS (M1, M2, M3, M4, M5, M6, M7, M8, M9, M10, M11, M12, M13, M14, M15, M16, M17, M18, M19)	M20 - CPH150XXX3BXXXAA		
291	0159L00033	COMPRESSOR SCROLL HARNESS (M20)	M21 - CPH150XXX4BXXXAA		
291	0159L00035	COMPRESSOR SCROLL HARNESS (M21, M22)	M22 - CPH150XXX7BXXXAA		

Blower Assembly and Control Box Assembly

Image 1

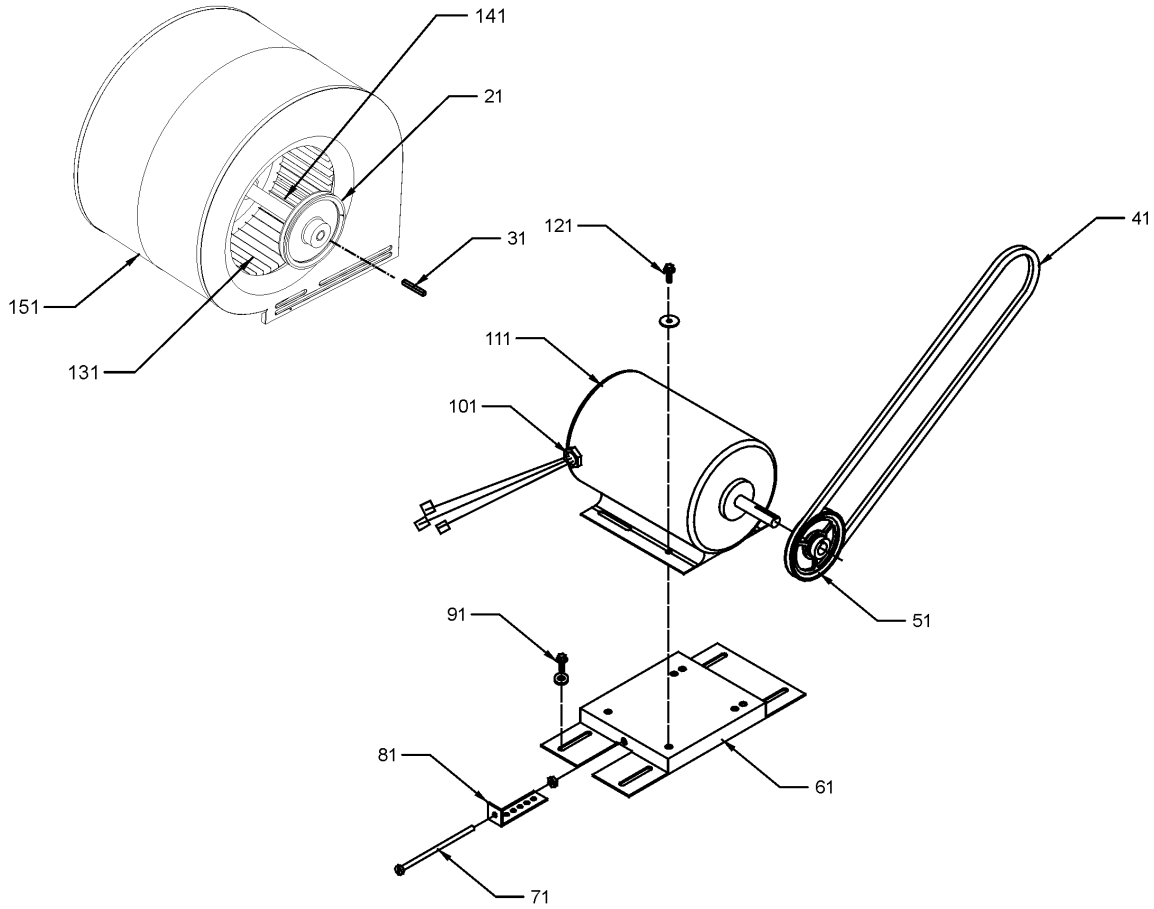
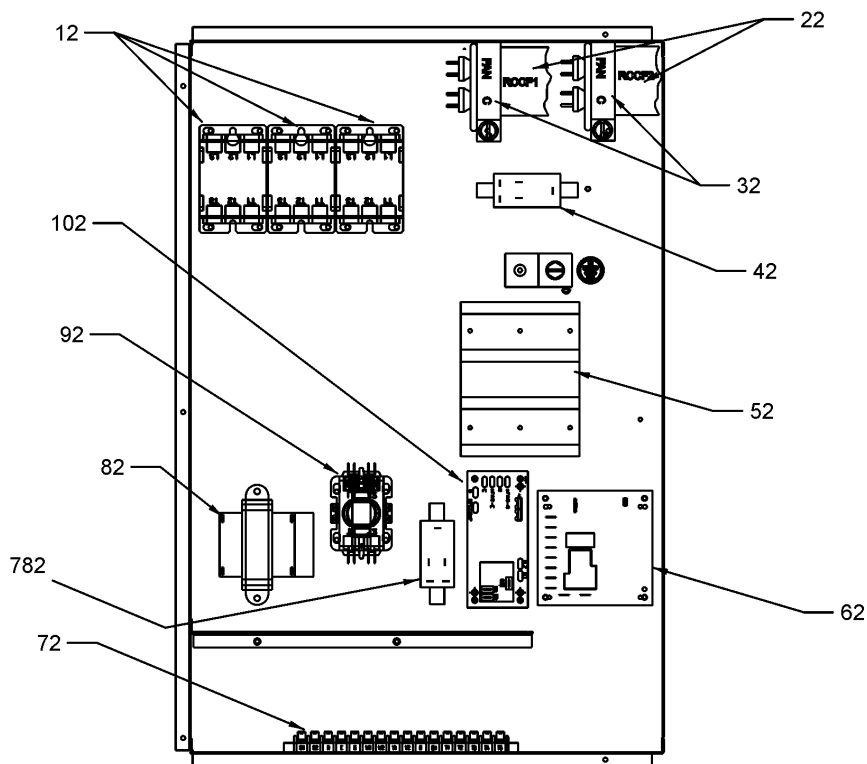


Image 2



Blower Assembly and Control Box Assembly

Ref. Part No: No:	Description:	Ref. Part No: No:	Description:																							
<i>Image 1:</i>		<i>Image 2:</i>																								
21	B3204303	FIXED SHEAVE AK61 (M3, M6, M14, M17)	82	B1141672	TRANSFORMER 480V, 75VA, RESETTABLE (M4, M5, M6, M10, M15, M16, M17, M21)																					
21	B3204310	FIXED SHEAVE AK66 (M20, M21, M22)	82	B1141672	TRANSFORMER 480V, 75VA, RESETTABLE (M1, M2, M3, M9, M12, M13, M14, M20)																					
21	0163L00011	FIXED SHEAVE AK74 (M1, M2, M4, M5, M7, M8, M9, M10, M11, M12, M13, M15, M16, M18, M19)	82	0130M00045S	TRANSFORMER 575/24V (M7, M8, M11, M18, M19, M22)																					
31	B1398604	STEEL KEY (000158812) 2.0"	92	CONT2P040024VS	CONTACTOR 40 AMP, 2P, 24V																					
41	0164L00001	NOTCHED FAN BELT AX49 (M3, M6, M14, M17, M20, M21, M22)	102	PCBFM131	ELECTRONIC TIME DELAY RELAY																					
41	0164L00000	NOTCHED FAN BELT AX51 (M1, M2, M4, M5, M7, M8, M9, M10, M11, M12, M13, M15, M16, M18, M19)	782	0130M00025S	24V RELAY																					
51	B2120014	VARIABLE PITCH SHEAVE 1VL44 X 7/8" (M3, M6, M14, M17)	NS	0259L00030	ECONOMIZER HARNESS (M1, M2, M3, M4, M5, M6, M7, M8, M9, M10, M11, M12, M13, M14, M15, M16, M17, M18, M19)																					
51	0163L00012	VARIABLE PITCH SHEAVE VL40 (M1, M2, M4, M5, M7, M8, M9, M10, M11, M12, M13, M15, M16, M18, M19, M20, M21, M22)	NS	0259L00098	ECONOMIZER HARNESS (M20, M21, M22)																					
61	0270L00015S	MOTOR BASE ASSY	NS	0259L00086	HARNESS, CONTROL																					
71	0163M00045	BOLT 1/4-20 X 4"	NS	0259L00032	LCM HARNESS, ELECTRIC HEAT																					
81	3225000F	BELT TIGHTENER ANGLE	NS	0259L00087	POWER HARNESS																					
91	B1446707	SCREW 5/16-18 X 1" (QTY 4)	Expanded Model Nomenclature																							
101	B1393726	ELECT. CONNECTING BUSHING	<table border="1"> <tr><td>M1 - CPH090XXX3BXJXAA</td></tr> <tr><td>M2 - CPH090XXX3BXXXAA</td></tr> <tr><td>M3 - CPH090XXX3HXXXAA</td></tr> <tr><td>M4 - CPH090XXX4BXJXAA</td></tr> <tr><td>M5 - CPH090XXX4BXXXAA</td></tr> <tr><td>M6 - CPH090XXX4HXXXAA</td></tr> <tr><td>M7 - CPH090XXX7BXJXAA</td></tr> <tr><td>M8 - CPH090XXX7BXXXAA</td></tr> <tr><td>M9 - CPH102XXX3BXXXAA</td></tr> <tr><td>M10 - CPH102XXX4BXXXAA</td></tr> <tr><td>M11 - CPH102XXX7BXXXAA</td></tr> <tr><td>M12 - CPH120XXX3BXJXAA</td></tr> <tr><td>M13 - CPH120XXX3BXXXAA</td></tr> <tr><td>M14 - CPH120XXX3HXXXAA</td></tr> <tr><td>M15 - CPH120XXX4BXJXAA</td></tr> <tr><td>M16 - CPH120XXX4BXXXAA</td></tr> <tr><td>M17 - CPH120XXX4HXXXAA</td></tr> <tr><td>M18 - CPH120XXX7BXJXAA</td></tr> <tr><td>M19 - CPH120XXX7BXXXAA</td></tr> <tr><td>M20 - CPH150XXX3BXXXAA</td></tr> <tr><td>M21 - CPH150XXX4BXXXAA</td></tr> <tr><td>M22 - CPH150XXX7BXXXAA</td></tr> </table>		M1 - CPH090XXX3BXJXAA	M2 - CPH090XXX3BXXXAA	M3 - CPH090XXX3HXXXAA	M4 - CPH090XXX4BXJXAA	M5 - CPH090XXX4BXXXAA	M6 - CPH090XXX4HXXXAA	M7 - CPH090XXX7BXJXAA	M8 - CPH090XXX7BXXXAA	M9 - CPH102XXX3BXXXAA	M10 - CPH102XXX4BXXXAA	M11 - CPH102XXX7BXXXAA	M12 - CPH120XXX3BXJXAA	M13 - CPH120XXX3BXXXAA	M14 - CPH120XXX3HXXXAA	M15 - CPH120XXX4BXJXAA	M16 - CPH120XXX4BXXXAA	M17 - CPH120XXX4HXXXAA	M18 - CPH120XXX7BXJXAA	M19 - CPH120XXX7BXXXAA	M20 - CPH150XXX3BXXXAA	M21 - CPH150XXX4BXXXAA	M22 - CPH150XXX7BXXXAA
M1 - CPH090XXX3BXJXAA																										
M2 - CPH090XXX3BXXXAA																										
M3 - CPH090XXX3HXXXAA																										
M4 - CPH090XXX4BXJXAA																										
M5 - CPH090XXX4BXXXAA																										
M6 - CPH090XXX4HXXXAA																										
M7 - CPH090XXX7BXJXAA																										
M8 - CPH090XXX7BXXXAA																										
M9 - CPH102XXX3BXXXAA																										
M10 - CPH102XXX4BXXXAA																										
M11 - CPH102XXX7BXXXAA																										
M12 - CPH120XXX3BXJXAA																										
M13 - CPH120XXX3BXXXAA																										
M14 - CPH120XXX3HXXXAA																										
M15 - CPH120XXX4BXJXAA																										
M16 - CPH120XXX4BXXXAA																										
M17 - CPH120XXX4HXXXAA																										
M18 - CPH120XXX7BXJXAA																										
M19 - CPH120XXX7BXXXAA																										
M20 - CPH150XXX3BXXXAA																										
M21 - CPH150XXX4BXXXAA																										
M22 - CPH150XXX7BXXXAA																										
111	B3240004	BELT DRIVE MOTOR 2 HP (M14, M17, M20, M21)																								
111	B3240006	BELT DRIVE MOTOR 2 HP (M1, M2, M3, M4, M5, M6, M9, M10, M12, M13, M15, M16)																								
111	0131L00005	BELT DRIVE MOTOR 2 HP 575 V (M7, M8, M11, M18, M19)																								
111	0131L00006	BELT DRIVE MOTOR 3 HP 575 V (M22)																								
121	B1393738	BOLT 1/4-20 X 3/4" (QTY 4)																								
131	03-77429	BELT DRIVE BLOWER WHEEL (M1, M2, M3, M4, M5, M6, M7, M8, M9, M10, M11)																								
131	03-78497	BELT DRIVE BLOWER WHEEL (M12, M13, M14, M15, M16, M17, M18, M19, M20, M21, M22)																								
141	04-11525	BELT DRIVE BLOWER SHAFT (M1, M2, M3, M4, M5, M6, M7, M8, M9, M10, M11)																								
141	04-11526	BELT DRIVE BLOWER SHAFT (M12, M13, M14, M15, M16, M17, M18, M19, M20, M21, M22)																								
151	04-01525	BELT DRIVE BLOWER HOUSING ASSY (M1, M2, M3, M4, M5, M6, M7, M8, M9, M10, M11)																								
151	04-01526	BELT DRIVE BLOWER HOUSING ASSY (M12, M13, M14, M15, M16, M17, M18, M19, M20, M21, M22)																								
NS	04-02196	BALL BEARING AND FRAME ASSY																								
NS	0259L00008	MOTOR HARNESS-BELT DRIVE																								
<i>Image 2:</i>																										
12	CONT3P025024VS	CONTACTOR 25 AMP, 3P, 24V (M1, M2, M3, M4, M5, M6, M7, M8, M9, M10, M11, M12, M13, M14, M15, M16, M17, M18, M19, M21, M22)																								
12	CONT3P030024VS	CONTACTOR 30 AMP, 3P, 24V (M20)																								
22	CAP050000370VAS	CAPACITOR 5/370V (QTY 2)																								
32	20520901	CAPACITOR STRAP (QTY 2)																								
42	10135604	RELAY																								
52	16330-3S	POWER BLOCK																								
62	PCBDM130	DEFROST CONTROL BOARD																								
72	0130M00038S	TERMINAL BOARD																								

THIS PAGE INTENTIONALLY LEFT BLANK