



Disposal Flange with Stopper K-11352

Features

- Fits standard garbage disposal units (4-1/2-inch diam., 1-5/8-inch depth).
- Premium metal construction.
- Perfect color match with KOHLER finishes
- Includes Disposal Flange and Stopper
- Fits standard garbage disposal units, 4-1/2" diameter, 1-5/8" depth



Codes/Standards

None Applicable

KOHLER® One-Year Limited Warranty

See website for detailed warranty information.

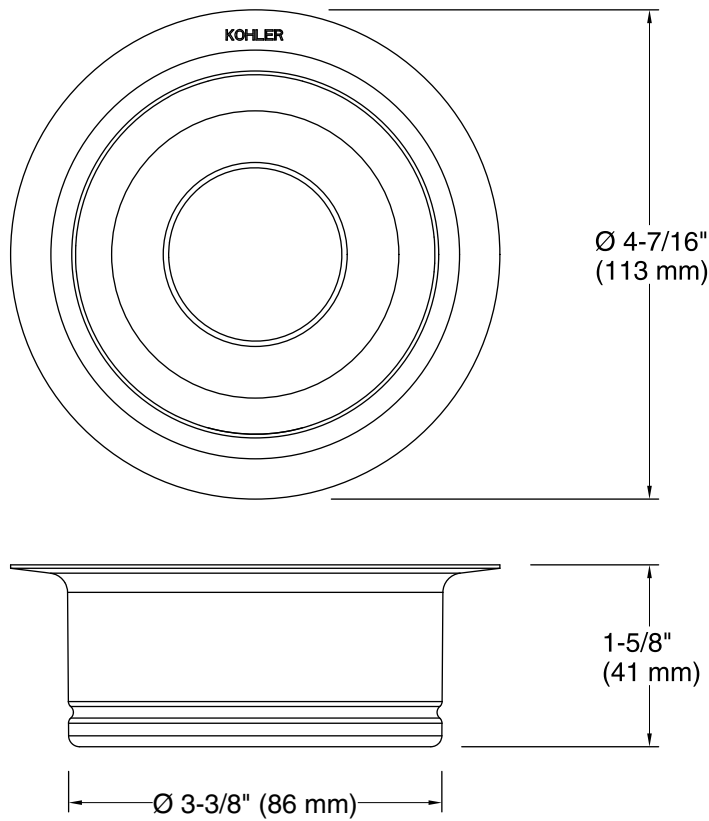
Available Color/Finishes

Color tiles intended for reference only.

| Color | Code | Description |
|--|------|--------------------------|
|  | CP | Polished Chrome |
|  | SN | Vibrant® Polished Nickel |
|  | PB | Vibrant® Polished Brass |
|  | BN | Vibrant® Brushed Nickel |
|  | BS | Brushed Stainless |
|  | BV | Vibrant® Brushed Bronze |
|  | 2BZ | Oil-Rubbed Bronze |
|  | BL | Matte Black |



Disposal Flange with Stopper
K-11352



Technical Information

All product dimensions are nominal.