



# River Falls™

Top-mount Utility Sink  
K-6657-2

## Features

- 27-inch minimum base cabinet width.
- Single bowl with integral washboard.
- 14-1/4-inch depth provides generous workspace.
- Two faucet holes.
- Includes wire rack and soaking pan.

## Material

- KOHLER® enameled cast iron.

## Installation

- Top-mount

## Recommended Products/Accessories

- K-9000 P-Trap
- K-8801 Sink Strainer
- K-8799 Sink Strainer

## Included Components

- Additional Components:
- Wire rack
  - soaking pan



## Codes/Standards

ASME A112.19.1/CSA B45.2


## KOHLER® Enameled Cast Iron Kitchen Sink Lifetime Limited Warranty

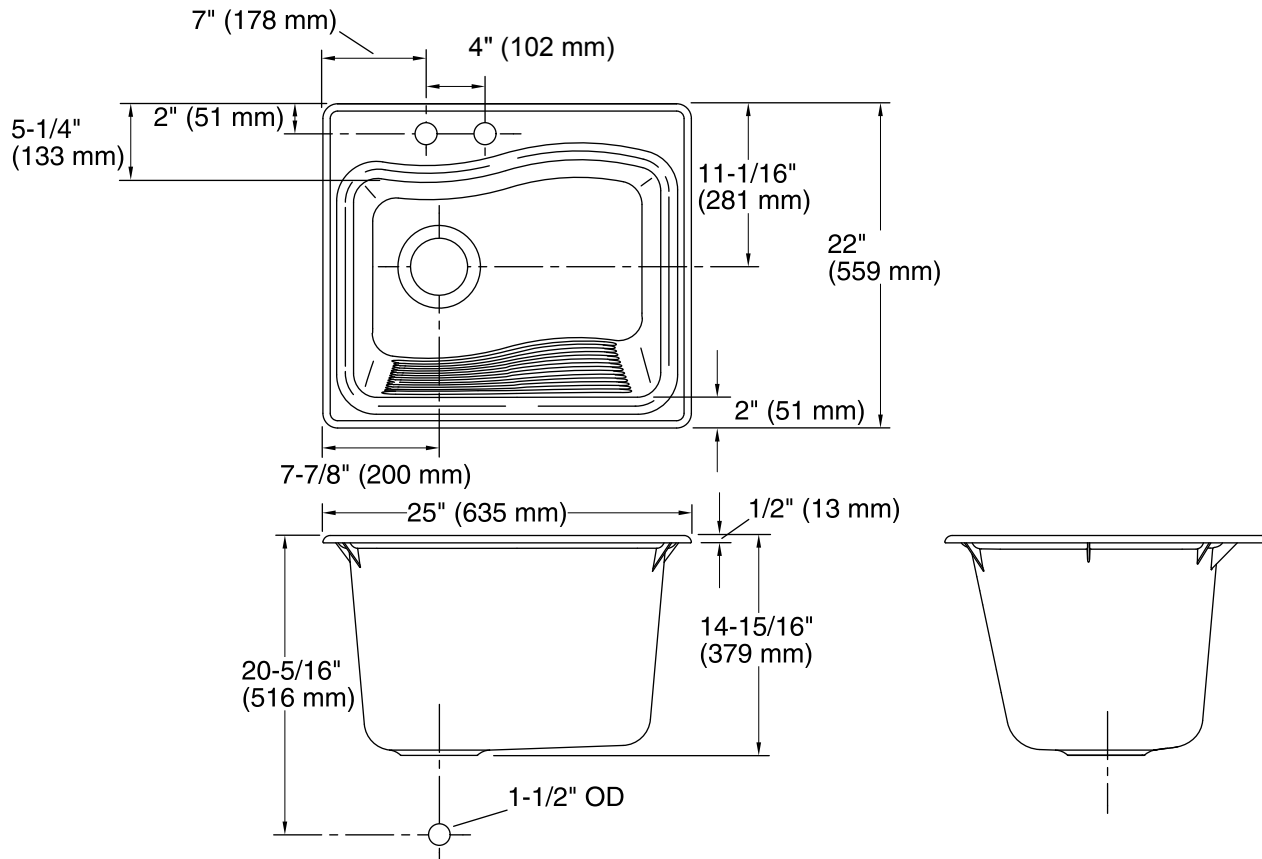
See website for detailed warranty information.

## Available Colors/Finishes

*Color tiles intended for reference only.*

Color	Code	Description
-------	------	-------------

	0	White
--	---	-------



### Technical Information

All product dimensions are nominal.

Bowl configuration:	Single
Installation:	Top-mount
Min. base cabinet width:	27" (686 mm)
Bowl area:	Length: 21-1/2" (546 mm) Width: 14-3/4" (375 mm) Bowl depth: 14-1/4" (362 mm)
Number of deck holes:	2
Faucet hole(s):	1-3/8" (35 mm)
Drain hole:	3-5/8" (92 mm)
Template:	1079984-7, required, included

### Notes

Install this product according to the installation instructions.