

*Call Customer Care Center to order replacement parts.
**Finish/color code must be specified when ordering.
Retain this document for future servicing.
Record model number from box for reference.

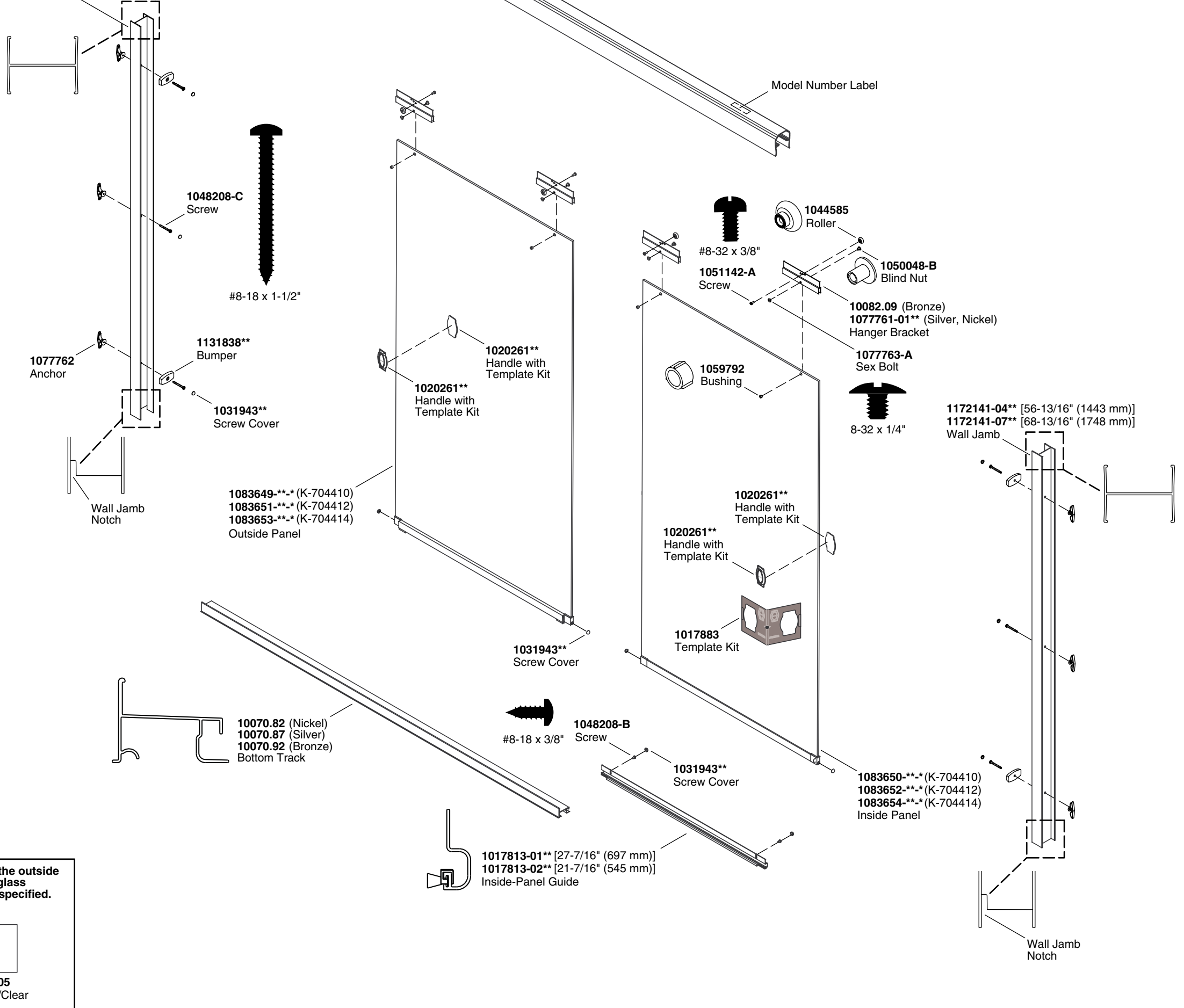
Model Number: _____

Parts Identification

1017878**
Hardware Skin Pack

1172141-04** [56-13/16" (1443 mm)]
1172141-07** [68-13/16" (1748 mm)]
Wall Jamb

1018082-01** (K-704410)
1018082-02** (K-704412)
1018082-03** (K-704414)
Top Track



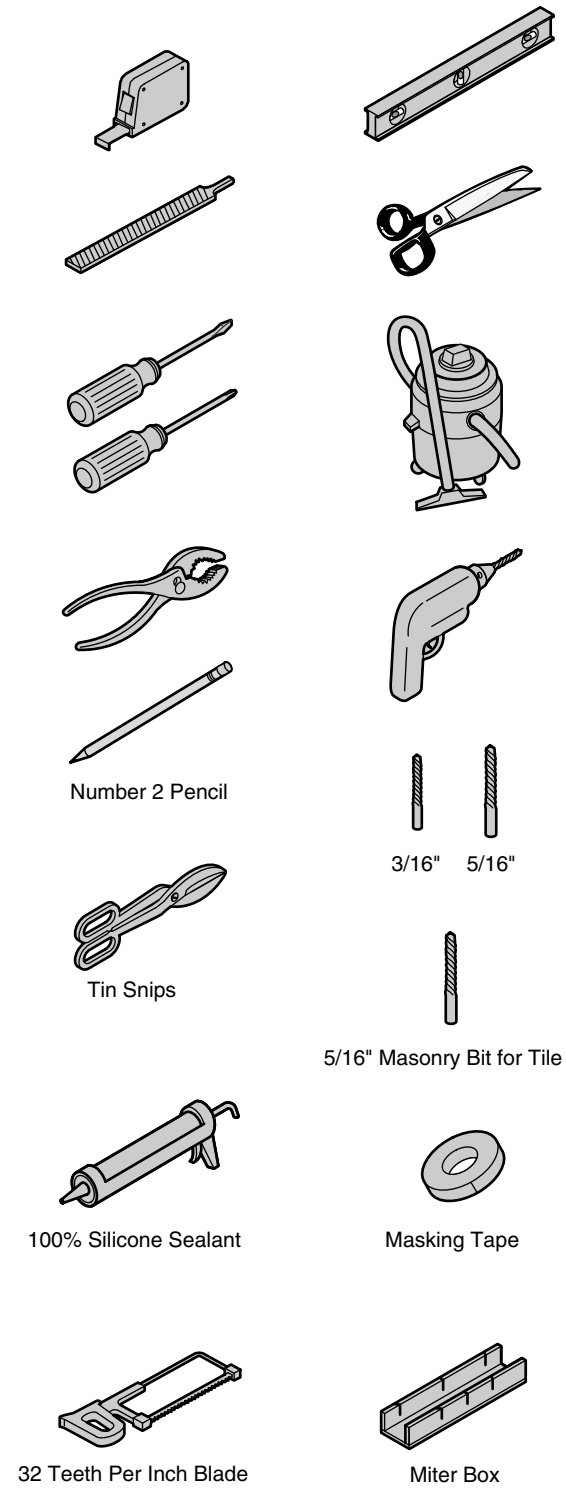
*When ordering the outside or inside panel, glass pattern must be specified.

-GC05
Smooth/Clear

Bypass Bath Doors

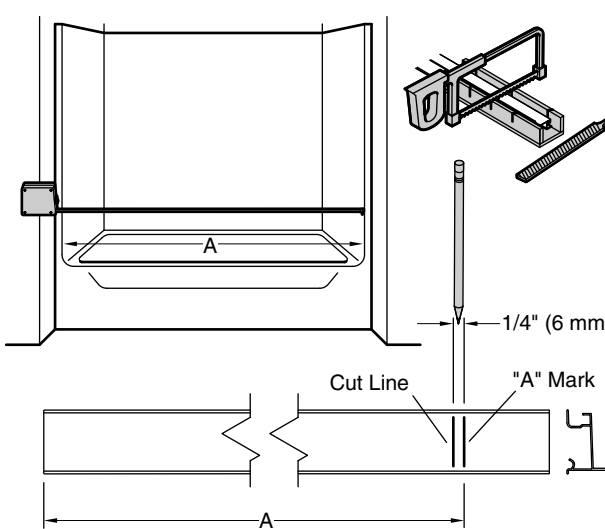
USA/Canada: 1-800-4KOHLER
Mexico: 001-800-456-4537
www.kohler.com

Required Tools

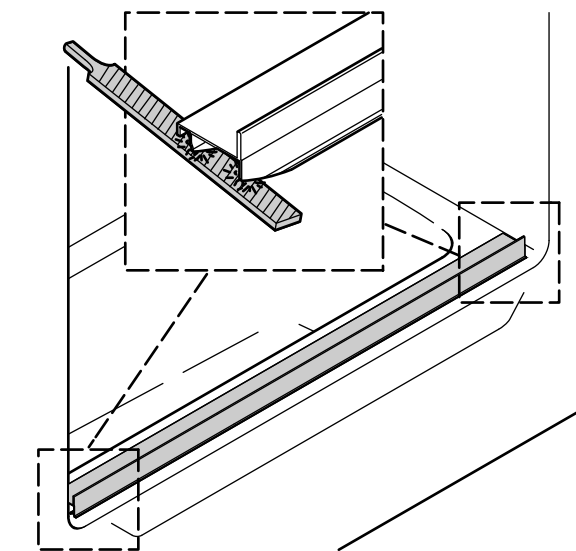


CAUTION: Risk of injury. Do not attempt to cut tempered glass.
IMPORTANT! Do not cut the top track the same length as the bottom track.
Walls must be within 3/8" (10 mm) of plumb.
Cover drain with tape to avoid loss of small parts.
Follow the silicone sealant manufacturer's instructions for application and curing time.

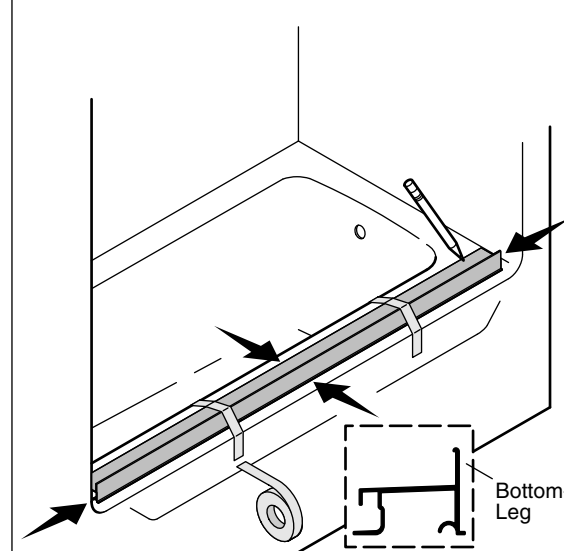
1 Measure distance "A." Subtract 1/4" (6 mm) or the width of a number 2 pencil from "A" and cut the bottom track.



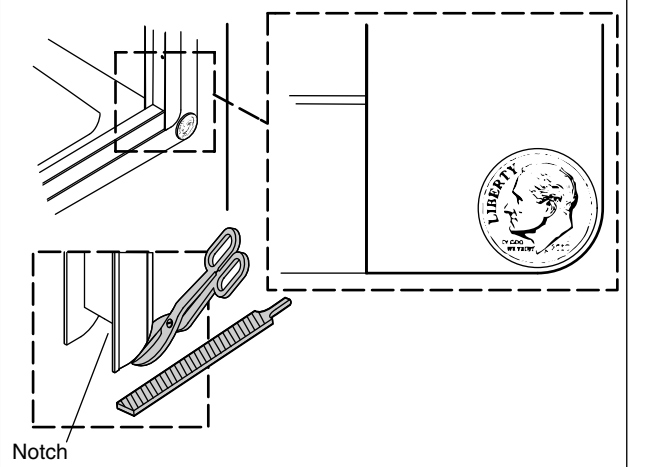
2 Position the bottom track on the center of the ledge. If needed, file the ends to match the corners.



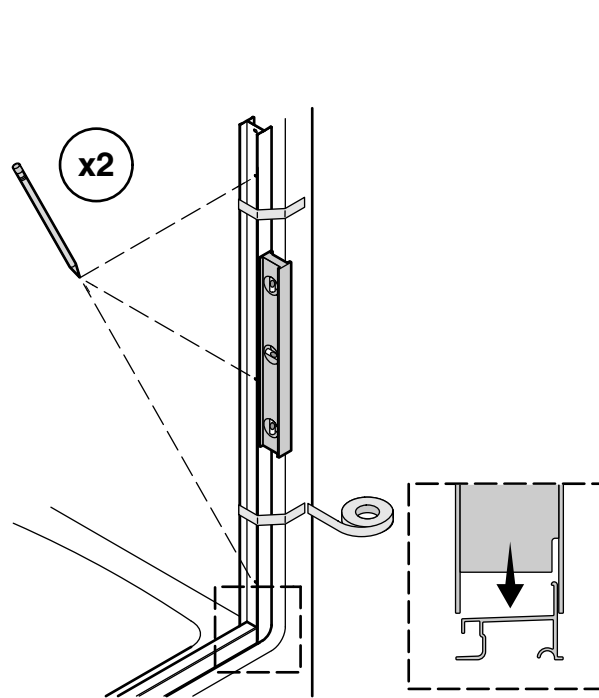
3 Center the bottom track on the ledge with the bottom-track leg to the outside. Tape the bottom track in place and mark the position.



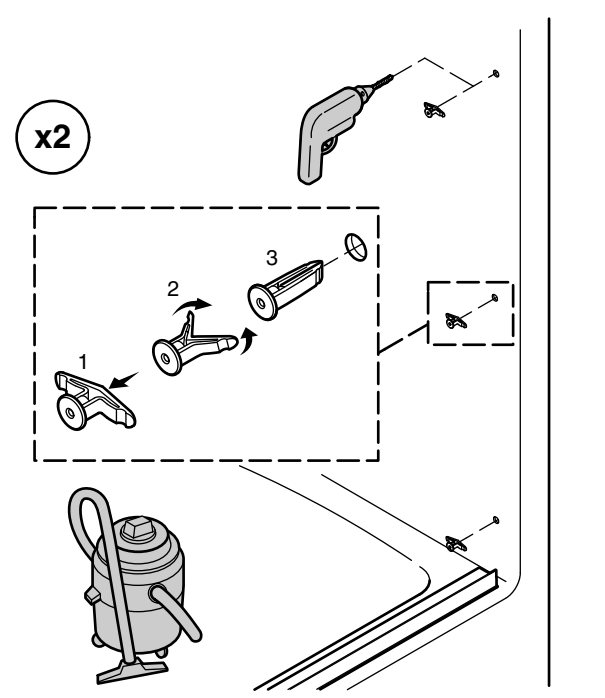
4 Important! The bottom track and wall jamb must sit flat against the shower ledge and the wall. If needed, trim and file the wall jamb. Use a coin to match and to transfer the corner radius of the shower to the wall jamb.



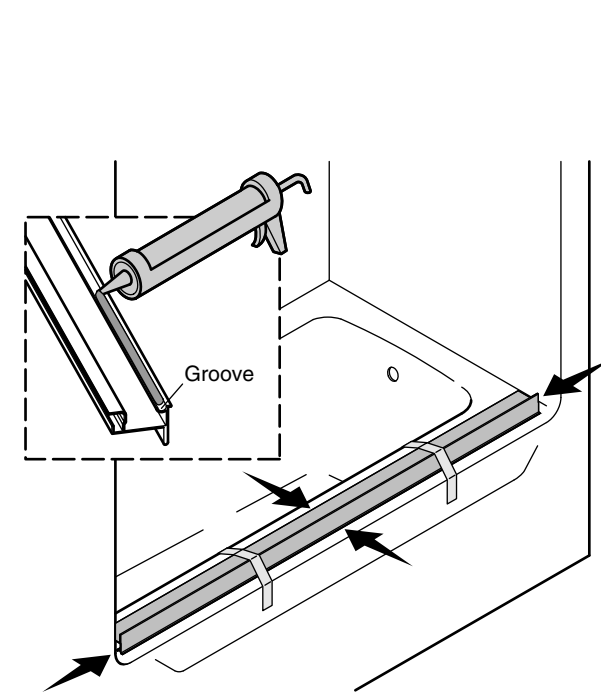
5 Position the wall jambs over the bottom track. Plumb both wall jambs. Mark the screw holes.



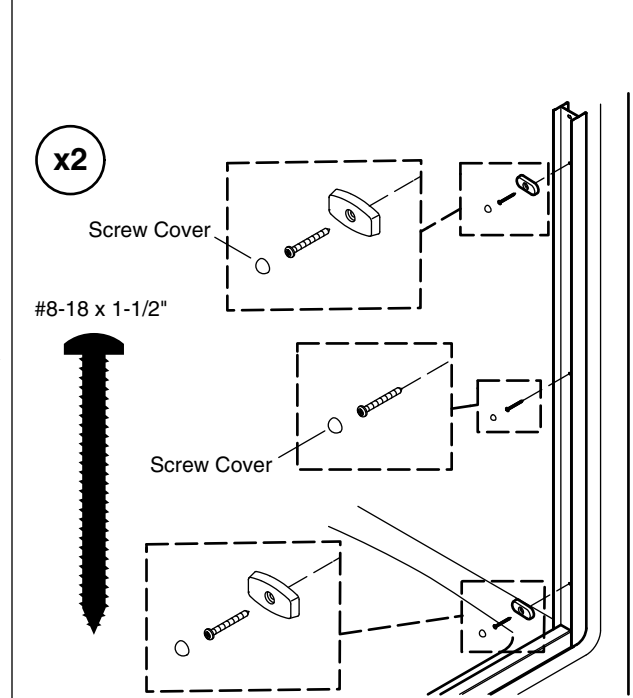
6 Remove the wall jambs. Drill 5/16" holes into the walls and insert the anchors.



7 Apply 100% silicone sealant in the groove on the underside of the bottom track. Secure the bottom track to the ledge along the marked location.



8 Reposition both wall jambs. Secure the wall jambs with screws. Attach a bumper at the top and bottom locations.



9 Measure distance "B" above the wall jambs. Subtract 1/32" (1 mm) or the width of a saw blade from "B." Mark and cut the top track.

