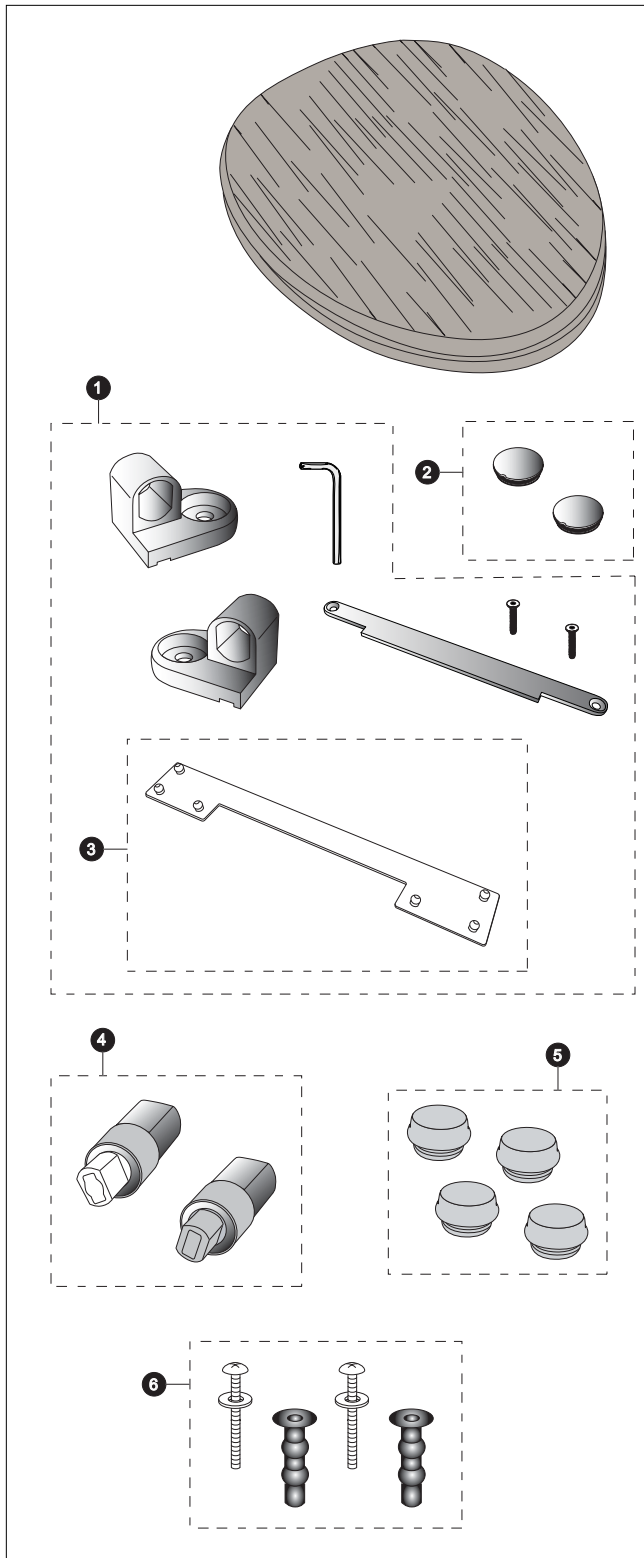


# SS303/SS304

SS303/SS304

## SoftClose® Maple Toilet Seat, Closed Front



Item	Part	Description
1	THU720#CP	Hinge Mount Assembly
2	THU673#CP	Bolt Cover Pack
3	9AU607	Seat Stopper Set
4	THU686	Hinge Cartridge Set
5	THU687	Seat & Lid Bumper Set
6	THU651N	Top Mounting Seat Hardware

### Product Number Explanations

**Seat**  
 (SS) SoftClose® Seat  
 (303) Round Model  
 (304) Elongated Model

**Finishes**  
 (#CP) Chrome Plated