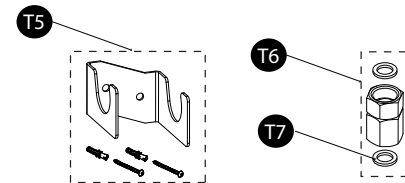
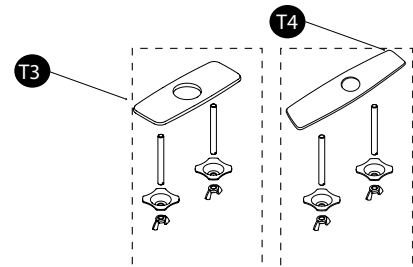
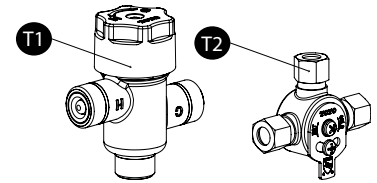
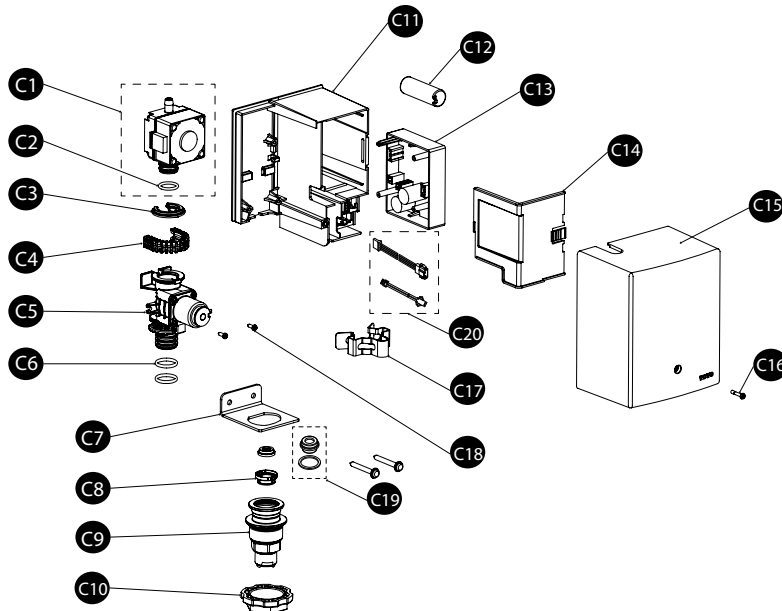
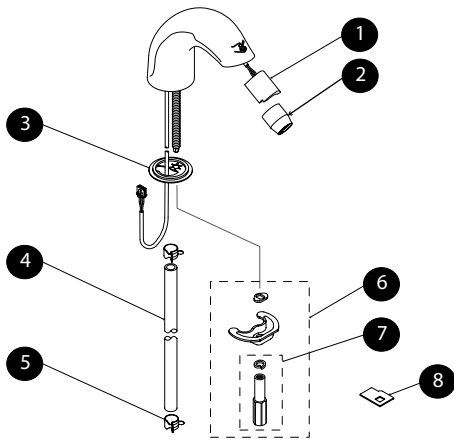


TEL10* Series

Sensor Faucet, Standard Spout EcoPower® Self-Generating System

Product Number

- TEL105-D10E\$\$\$
- TELS105\$\$\$ (Standard Spout)
- TELC105-D10E (Controller)
- TEL105-C20E\$\$\$
- TELS105\$\$\$ (Standard Spout)
- TELC105-C20E (Controller)
- TEL103-D20E\$\$\$
- TELS103\$\$\$ (Spout)
- TELC103-D20E (Controller)
- TEL101-D10E\$\$\$
- TELS101\$\$\$ (Spout)
- TELC101-D10E (Controller)



Item	Part	Description
1	THP3155	Sensor
2	TH559EDV568	Aerated Nozzle for TELS105
	THP3273#CP	Aerated Nozzle for TELS103
	TH559EDV567	Aerated Nozzle for TELS101
	THP3235	Laminar Nozzle for TELS105V1
	THP3236	Laminar Nozzle for TELS101V1
3	THP3157	Gasket
4	THP3152	Hose
5	THP3153	Clip (1 pc)
6	TH559EDV402R	Spout Mounting Kit
7	TH559EDV403R	Spout Nut w/ Lockwasher
8	THP3154	Nozzle Removal Key
C1	TH559EDV562	Generator for TELC105-D10E, TELC105-C20E
	THP3275	Generator for TELC103-D20E
	TH559EDV462	Generator for TELC101-D10E
C2	THP3132	O-ring (1 pc)
C3	THP3107	Spacer, between Gene and Solenoid
C4	THP3106	C-Clip, between Gene and Solenoid
C5	THP3108	Solenoid Valve Unit
C6	THP4115	O-ring (1 pc)
C7	THP3112	Mount Bracket
C8	THP3111	Filter
C9	THP3102	Adapter, Supply in

Item	Part	Description
C10	THP3101	Large Nut for Mount
C11	THP3113	Case
C12	THP3053	Backup Battery (Lithium) (1 pc)
C13	THP3096	Controller for TELC105-D10E, TELC101-D10E
	THP3274	Controller for TELC103-D20E
	THP3114	Controller for TELC105-C20E
C14	THP3105	Cover, Controller
C15	THP3098	Cover
C16	THP3099	Screw for Cover
C17	THP3109	Quick Fastener
C18	THP4485	Screw (1 pc)
C19	THP3272	Flow Regulator Adapter and Gasket for TELC103
C20	THP3276	Extension harnesses (2 types per bag)
T1	TLT10R	Thermostatic Valve (for 0.5 gpm/1.0 gpm)
	TLT20	Thermostatic Valve (for 0.35 gpm)
T2	TLM10	Hot/Cold Mixing Tee
T3	THP3158#CP	Cover Plate - 4"
T4	THP3159#CP	Cover Plate - 8"
T5	THP5084	TLT10(R) Mounting Bracket
T6	THP3237	TLT10(R)/TLT20 Swivel Coupling
T7	THP3243	Gasket (2 pc)