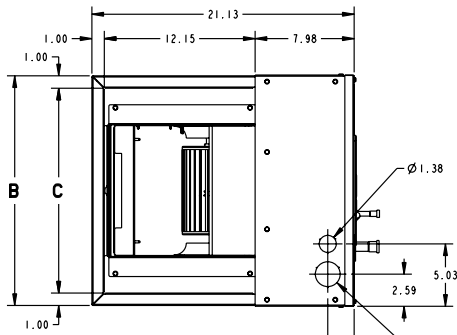




TAG: _____

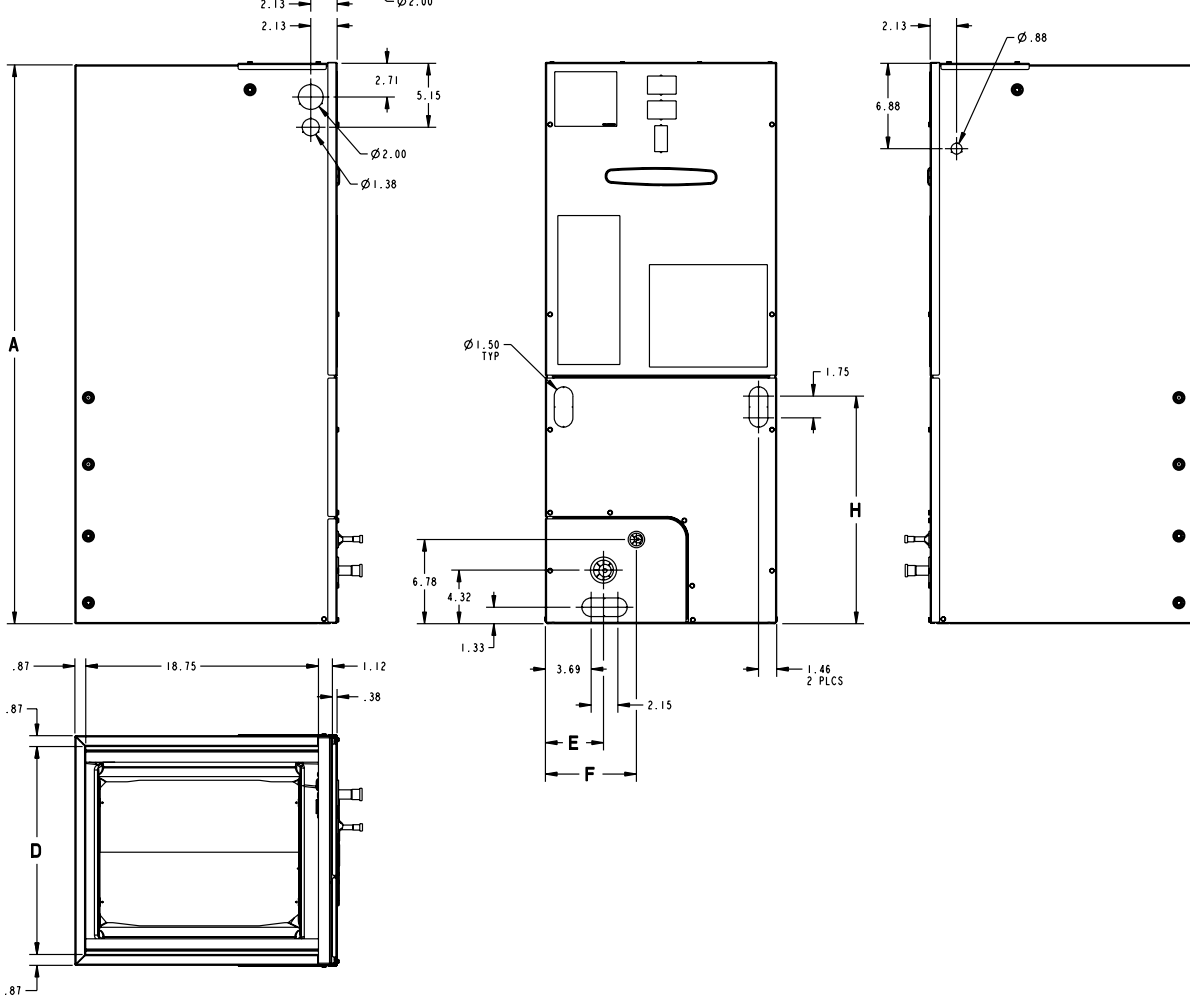
Submittal

4 Ton Convertible Air Handler TEM3A0C48S41SA



	TO COMBUSTIBLE MATERIAL (REQUIRED)	SERVICE CLEARANCE (RECOMMENDED)
SIDES	0"	2"
FRONT	0"	21"
BACK	0"	0"
INLET DUCT	0"	1"
OUTLET DUCT	1"+	N/A

* 1" FOR THE FIRST 3 FT. OF OUTLET DUCT WHEN ELECTRIC HEATERS ARE INSTALLED; 0" AFTER THE FIRST 3 FT.



PRODUCT DIMENSIONS									
Air Handler Model	A	B	C	D	E	F	H	Flow Control	Gas Line Braze
TEM3A0C48S41SA	51.27	23.50	21.50	21.75	7.01	9.66	24.59	TXV	7/8

All dimensions are in inches.

PRODUCT SPECIFICATIONS

PRODUCT SPECIFICATIONS	
MODEL	TEM3A0C48S41SA
RATED VOLTS/PH/HZ.	208-230/1/60
RATINGS ①	See O.D. Specifications
INDOOR COIL — Type	Plate Fin
Rows — F.P.I.	3 - 14
Face Area (sq. ft.)	5.50
Tube Size (in.)	3/8
Refrigerant Control	TXV
Drain Conn. Size (in.) ②	3/4 NPT
DUCT CONNECTIONS	See Outline Drawing
INDOOR FAN — Type	Centrifugal
Diameter-Width (In.)	10 X 10
No. Used	1
Drive - No. Speeds	Direct - 3
CFM vs. in. w.g.	See Fan Performance Table
No. Motors — H.P.	1 - 1/2
Motor Speed R.P.M.	1075
Volts/Ph/Hz	208-230/1/60
F.L. Amps	2.6
FILTER	
Filter Furnished? ③	No
REFRIGERANT	R-410A
Ref. Line Connections	Brazed
Coupling or Conn. Size — in. Gas	7/8
Coupling or Conn. Size — in. Liq.	3/8
DIMENSIONS	H x W x D
Crated (In.)	52-1/2 x 26 x 24
Uncrated	51-3/8 x 23-1/2 x 21-1/8
WEIGHT	
Shipping (Lbs.)/Net (Lbs.)	145/138

- ① These Air Handlers are A.H.R.I. certified with various Split System Air Conditioners and Heat Pumps (AHRI STANDARD 210/240). Refer to the Split System Outdoor Unit Product Data Guides for performance data.
- ② 3/4" Male Plastic Pipe (Ref.: ASTM 1785-76)
- ③ Remote filter required



TEM3A0C48S41SA MINIMUM AIRFLOW CFM		
Heater	Minimum Heat Speed Tap	
	With Heat Pump	Without Heat Pump
BAYHTR1504BRKA, BAYHTR1504PDCA BAYHTR1505BRKA, BAYHTR1505PDCA	Low	Low
BAYHTR1508BRKA, BAYHTR1508PDCA BAYHTR1510BRKA, BAYHTR1510PDCA BAYHTR3510LUGB	Low	Low
BAYHTR1515BRKA, BAYHTR3515LUGB BAYHTR1520BRKA	Low	Low

Heater Pressure Drop Table - Use for all TEM air handler models

AIRFLOW CFM	NUMBER OF RACKS			
	1	2	3	4
	AIR PRESSURE DROP - INCHES W.G.			
1800	0.02	0.04	0.06	0.14
1700	0.02	0.04	0.06	0.14
1600	0.02	0.04	0.06	0.13
1500	0.02	0.04	0.06	0.12
1400	0.02	0.04	0.06	0.12
1300	0.02	0.04	0.05	0.11
1200	0.01	0.04	0.05	0.10
1100	0.01	0.03	0.05	0.09
1000	0.01	0.03	0.04	0.09
900	0.01	0.03	0.04	0.08
800	0.01	0.03		
700	0.01	0.02		
600	0.01	0.02		

HEATER RACKS	
HEATER MODEL	NO. OF RACKS
BAYHTR1504	1
BAYHTR1505	1
BAYHTR1508	1
BAYHTR1510	2
BAYHTR3510	3
BAYHTR1515	3
BAYHTR3515	3
BAYHTR1519	4
BAYHTR1520	4

AIR FLOW PERFORMANCE						
TEM3A0C48S41SA ^④ ^⑤						
EXTERNAL STATIC (in w.g)	AIRFLOW					
	Speed Taps - 230 VOLTS			Speed Taps - 208 VOLTS		
	High	Med	Low †	High	Med	Low †
0.1	1959	1704	1344	1786	1465	1154
0.2	1898	1675	1332	1748	1462	1126
0.3	1828	1631	1325	1697	1444	1108
0.4	1750	1574	1310	1633	1410	1095
0.5	1662	1504	1277	1557	1359	1076
0.6	1563	1420	1223	1468	1289	1039
0.7	1452	1321		1365		

NOTES:
1. Values are with wet coil, no filter, and no heaters
2. CFM Correction for dry coil = Add 3%
3. † = Factory setting
4. For the TEM3A0C48S41SA, the recommended speed tap is medium at 0.4" external static pressure
5. For the TEM3A0C48S41SA in downflow applications, airflow must not exceed 1600 cfm due to condensate blowoff

ELECTRICAL DATA											
TEM3A0C48S41SA											
Heater Model No	No. of Circuits/ Phases	240 Volt					208 Volt				
		Capacity		Heater Amps per Circuit	Minimum Circuit Ampacity	Maximum Overload Protection	Capacity		Heater Amps per Circuit	Minimum Circuit Ampacity	Maximum Overload Protection
		kW	BTUH				kW	BTUH			
No Heater				2.6*	3	15			2.6*	3	15
BAYHTR1504BRKA BAYHTR1504PDCA	1/1	3.84	13100	16.0	23	25	2.88	9800	13.8	21	25
BAYHTR1505BRKA BAYHTR1505PDCA	1/1	4.80	16400	20.0	28	30	3.60	12300	17.3	25	25
BAYHTR1508BRKA BAYHTR1508PDCA	1/1	7.68	26200	32.0	43	45	5.76	19700	27.7	38	40
BAYHTR1510BRKA BAYHTR1510PDCA	1/1	9.60	32800	40.0	53	60	7.20	24600	34.6	47	50
BAYHTR1515BRK - Circuit 1 ^①	2/1	9.60	32800	40.0	53	60	7.20	24600	34.6	47	50
BAYHTR1515BRK - Circuit 2		4.80	16400	20.0	25	25	3.60	12300	17.3	22	25
BAYHTR1520BRK - Circuit 1 ^①	2/1	9.60	32800	40.0	53	60	7.20	24600	34.6	47	50
BAYHTR1520BRK - Circuit 2		9.60	32800	40.0	50	50	7.20	24600	34.6	43	45
BAYHTR3510LUGB	1/3	9.60	32800	23.1	32	35	7.20	24600	20.0	28	30
BAYHTR3515LUGB	1/3	14.4	49200	34.6	46	50	10.8	36900	30.0	40	40
BAYHTR1515BRK with single circuit power source kit BAYSPEKT201A	1/1	14.40	49200	60.0	83	90	10.80	36900	51.9	73	80
BAYHTR1520BRK with single circuit power source kit BAYSPEKT201A	1/1	19.20	65500	80.0	108	110	14.40	49200	69.2	94	100

* = Motor Amps
^① MCA and MOP for circuit 1 contains the motor amps

Notes:

1. See Product Data or Air Handler nameplate for approved combinations of Air Handlers and Heaters
2. Heater model numbers may have additional suffix digits.

Mechanical Specifications

- Painted metal cabinet with captured foil face insulation
- 2% or less air leakage
- R-4.2 Insulating Value
- Multi-Position UP/Down Flow, Horizontal Left /Right
- ALL Aluminum Coil with Enhanced Patented Coil Fin
- Electric Heaters with polarized plug connections (sold as accessory)
- R-410A Thermal Expansion Valve
- Low Voltage Pigtail Connections
- Draw Through Design
- Horizontal Drain pan
- Single Color
- Fused 24V Power
- **1 year warranty**
- **10-year warranty registered**
- **Optional extended warranty available**



Trane
6200 Troup Highway
Tyler, TX 75707

The manufacturer has a policy of continuous product and product data improvement and it reserves the right to change design and specification without notice.