



RESIDENTIAL REPLACEMENT PARTS LIST

Eco-Defender Residential Ultra Low NOx (U1), (U4) & (U2XR) Models

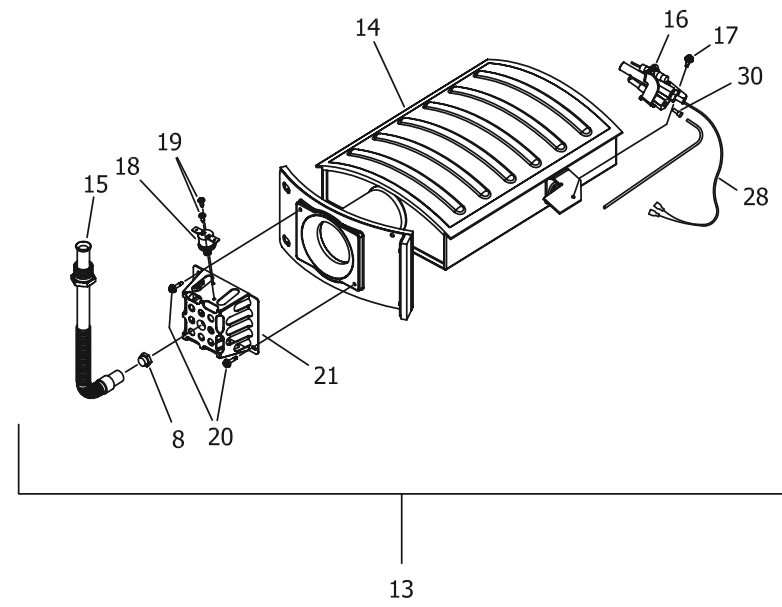
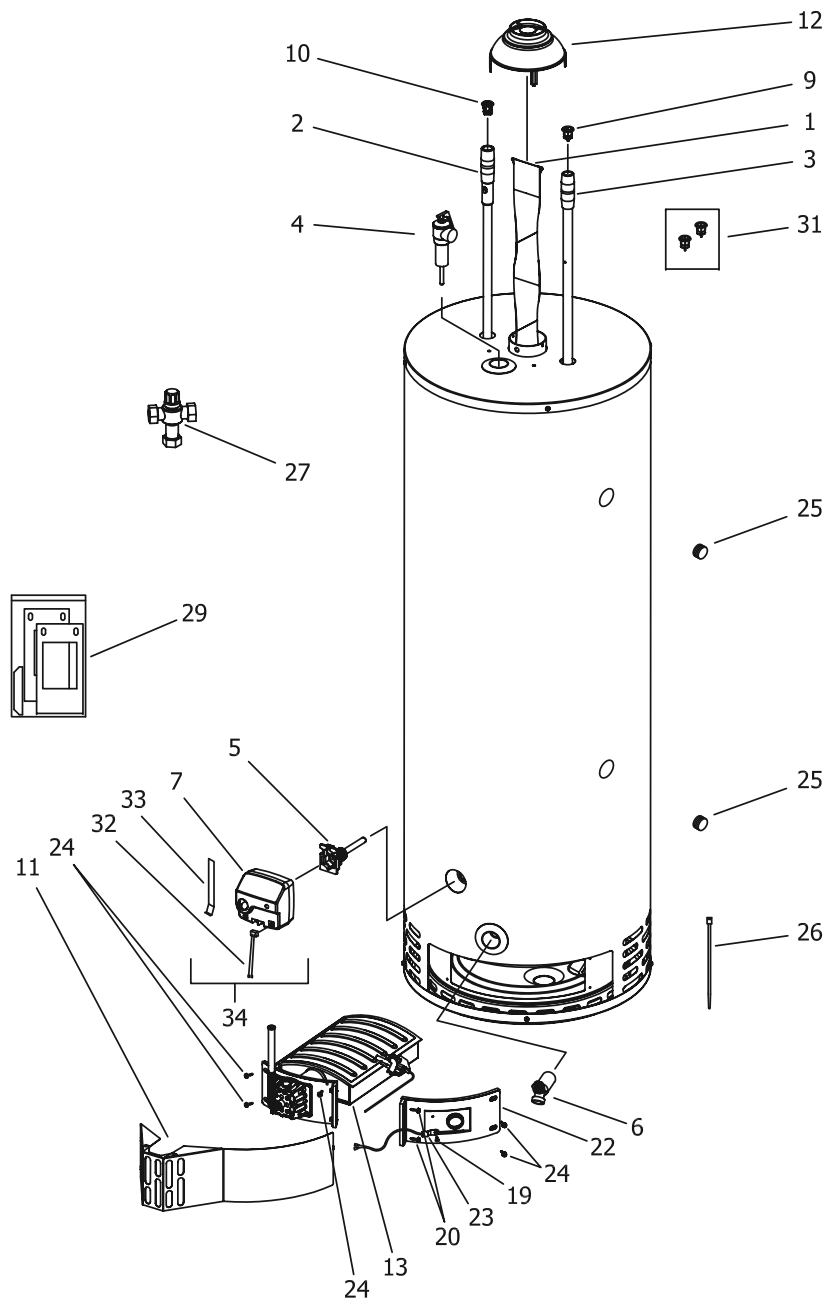


Includes Hydrojet®
Total Performance System

Effective: September, 2011
ECO 7695

**NOTE: BOTH MODEL AND SERIAL
NUMBERS ARE REQUIRED FOR
ORDERING REPLACEMENT PARTS**

Dimensions and specifications
subject to change without notice.



Item	Description	Model U130S*FRN	Model U130T*FRN	Model U1403S*FRN	Model U140T*FRN	Model U1503*FRN
1	Flue Baffle	243-45226-00	243-44639-00	243-45223-00	243-42283-00	243-44705-00
2	Hot Water Outlet Anode (magnesium) ▲▲	224-47776-15	224-47776-16	224-47776-05	224-47776-17	224-47776-12
	Hot Water Outlet Anode (Aluminum) ▲▲	224-47778-15	224-47778-16	224-47778-05	224-47778-17	224-47778-12
	Hot Water Outlet A420 ▲▲	224-45147-02	224-45147-02	224-45147-04	224-45147-02	224-45147-02
3	Cold Water Inlet Dip Tube Polypropylene ▲	229-39625-24	229-39625-23	229-39625-03	229-39625-25	229-39625-22
	Cold Water Inlet Polysulfone (NC Code)▲	229-39628-27	229-39628-26	229-39628-03	229-39628-28	229-39628-21
4	T&P Relief Valve	265-32920-01	265-32920-01	265-32920-01	265-32920-01	265-32920-01
5	Thermal Well	239-45651-01	239-45651-01	239-45651-01	239-45651-01	239-45651-01
6	Drain Valve (Brass)	265-42351-02	265-42351-02	265-42351-02	265-42351-02	265-42351-02
7	Gas valve (Natural)	222-49000-01	222-49000-01	222-49000-01	222-49000-01	222-49000-01
8	Orifice	234-18194-43	234-18194-42	234-18194-36	234-18194-36	234-18194-36
9	Heat Trap Insert (Inlet)	239-45073-00	239-45073-00	239-45073-00	239-45073-00	239-45073-00
10	Heat Trap Insert (Outlet)	239-45167-00	239-45167-00	239-45167-00	239-45167-00	239-45167-00
11	Outer Door	239-46209-00	239-46209-00	239-46209-00	239-46209-00	239-46209-00
12	Draft Diverter	243-45787-00	243-45787-00	243-45787-00	243-45787-00	243-45787-00
13	Burner Assembly***	265-46693-03-43	265-46693-01-42	265-46693-05-36	265-46693-03-36	265-46693-05-36
14	Burner**	228-48383-16	228-48383-14	228-48383-18	228-48383-16	228-48383-18
15	Flexible Gas Feedline	233-46930-01	233-46930-01	233-46930-01	233-46930-01	233-46930-01
16	Pilot assembly kit without door gasket**	265-48999-05	265-48999-05	265-48999-05	265-48999-05	265-48999-05
	Pilot Assembly kit with door gasket	239-47449-00	239-47449-00	239-47449-00	239-47449-00	239-47449-00
17	Screw #8-18 X 1/2 HWH	239-32761-00	239-32761-00	239-32761-00	239-32761-00	239-32761-00
18	Thermal Switch	239-43676-03	239-43676-03	239-43676-03	239-43676-03	239-43676-03
19	Screw #6-20 X 3/8 PHCR	239-43967-00	239-43967-00	239-43967-00	239-43967-00	239-43967-00
20	Screw #8-18 X 3/4 HWH	239-44195-00	239-44195-00	239-44195-00	239-44195-00	239-44195-00
21	Manifold Mount	239-46201-00	239-46201-00	239-46201-00	239-46201-00	239-46201-00
22	Inner Door Right Side Assembly	239-46697-02	239-46697-01	239-46697-03	239-46697-02	239-46697-03
23	RTD Sensor	239-46793-00	239-46793-00	239-46793-00	239-46793-00	239-46793-00
24	Screw #10-12 X 3/4 HWH	239-44113-00	239-44113-00	239-44113-00	239-44113-00	239-44113-00
25	Pipe Plug	---	---	---	---	---
26	Wire Tie	239-44328-00	239-44328-00	239-44328-00	239-44328-00	239-44328-00
27	ASSE Approved Mixing Valve (Optional)	239-43740-01	239-43740-01	239-43740-01	239-43740-01	239-43740-01
28	Kit-Thermopile	233-47446-00	233-47446-00	233-47446-00	233-47446-00	233-47446-00
29	Kit-Inner Door Gasket	239-47062-00	239-47062-00	239-47062-00	239-47062-00	239-47062-00
30	Pilot Orifice**	234-47098-00	234-47098-00	234-47098-00	234-47098-00	234-47098-00
31	Kit-Heat Trap Insert	265-45420-00	265-45420-00	265-45420-00	265-45420-00	265-45420-00
32	Intermediate Gas Valve Harness	239-46803-00	239-46803-00	239-46803-00	239-46803-00	239-46803-00
33	Gas Control Service Tool	239-45991-00	239-45991-00	239-45991-00	239-45991-00	239-45991-00
34	Gas Control Kit	239-49000-01	239-49000-01	239-49000-01	239-49000-01	239-49000-01

*Applies to all warranties

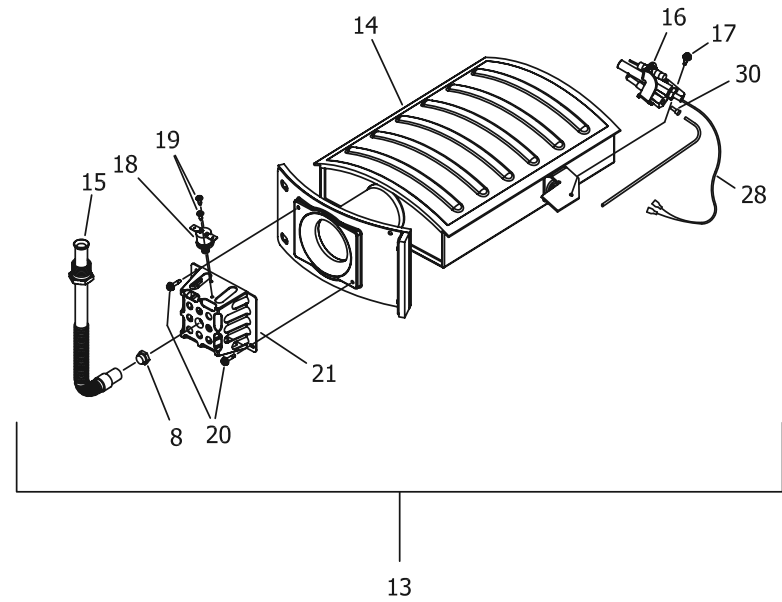
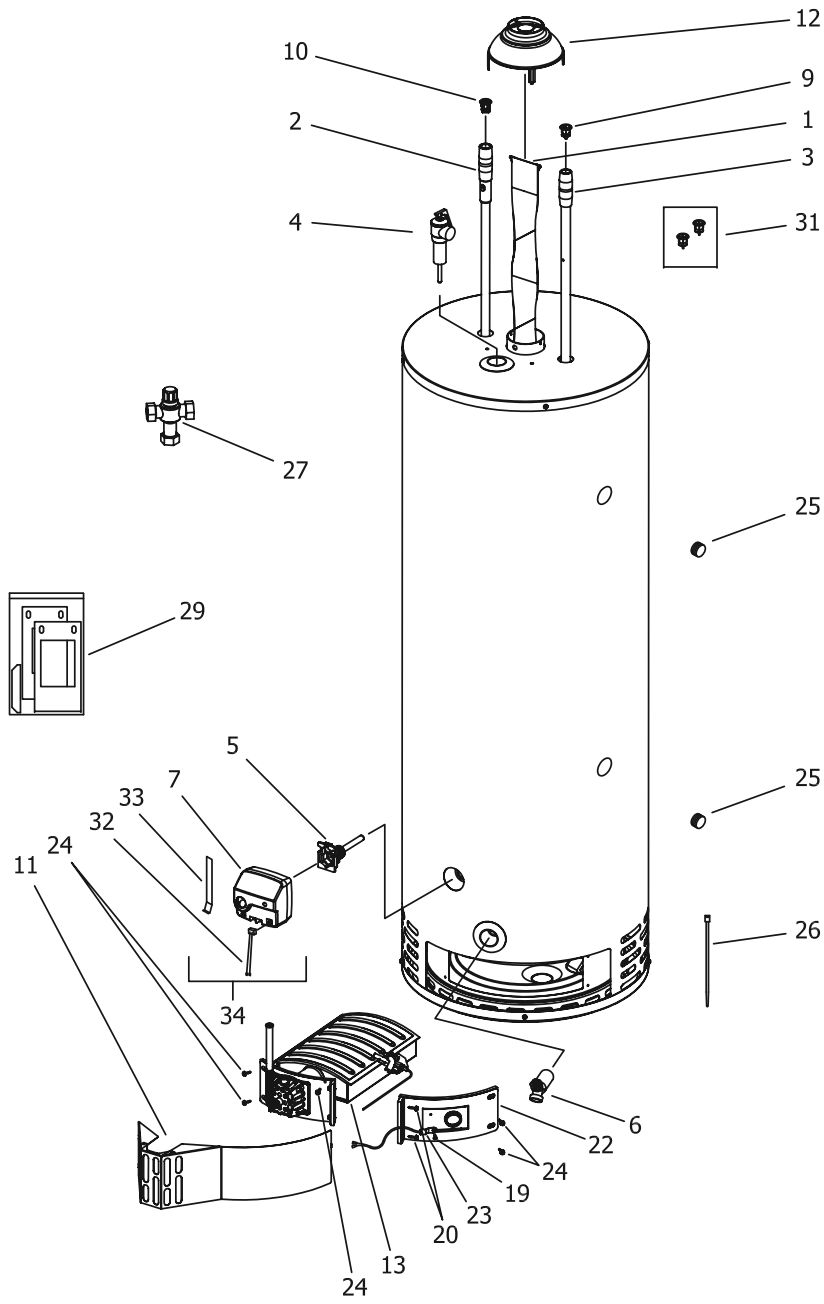
**Inner door gasket kit recommended

***Ordering a complete burner assembly may increase delivery time. Please order the specific component required for the quickest delivery.

▲ Order with item 9

▲▲ Order with item 10

† To be cut to length by installer.



Item	Description	Model U160T*FRN	Model U150L*FRN	Model U50T55FRN	Model U1404T*FRN	Model U1504S*FRN
1	Flue Baffle	243-42283-00	243-45223-00	243-41037-00	243-45225-00	243-45225-00
2	Hot Water Outlet Anode (magnesium) ▲▲	224-47776-12	224-47776-05	224-47776-12	224-47776-06	224-47776-07
	Hot Water Outlet Anode (Aluminum) ▲▲	224-47778-12	224-47778-05	224-47778-12	224-47778-06	224-47778-07
	Hot Water Outlet A420 ▲▲	224-45147-04	224-45147-04	224-45147-04	224-45147-03	224-45147-03
3	Cold Water Inlet Dip Tube Polypropylene ▲	229-39625-14	229-39625-05	229-39625-19	229-39625-06	229-39625-06
	Cold Water Inlet Polysulfone (NC Code)▲	229-39628-14	229-39628-05	229-39628-19	229-39628-06	229-39628-06
4	T&P Relief Valve	230-32920-01	265-32920-01	230-40594-03	265-32920-01	265-32920-01
5	Thermal Well	233-45651-01	239-45651-01	233-45651-02	239-45651-01	239-45651-01
6	Drain Valve (Brass)	227-48070-01	265-42351-02	227-48070-02	265-42351-02	265-42351-02
7	Gas valve (Natural)	222-49000-01	222-49000-01	222-49000-02	222-49000-01	222-49000-01
8	Orifice	234-18194-36	234-18194-36	234-18194-30	234-18194-33	234-18194-33
9	Heat Trap Insert (Inlet)	239-45073-00	239-45073-00	239-45073-00	239-45073-00	239-45073-00
10	Heat Trap Insert (Outlet)	239-45167-00	239-45167-00	239-45167-00	239-45167-00	239-45167-00
11	Outer Door	239-46209-00	239-46209-00	239-46209-00	239-46209-00	239-46209-00
12	Draft Diverter	243-45787-00	243-45787-00	239-12950-00	243-33081-02-20	239-12950-00
13	Burner Assembly***	265-46693-07-36	265-46693-07-36	265-46693-07-36	265-46693-03-33	265-46693-05-32
14	Burner**	228-48383-20	228-48383-20	228-48383-20	228-48383-16	228-48383-18
15	Flexible Gas Feedline	233-46930-01	233-46930-01	233-46930-01	233-46930-01	233-46930-01
16	Pilot assembly kit without door gasket**	265-48999-05	265-48999-05	265-48999-05	265-48999-05	265-48999-05
	Pilot Assembly kit with door gasket	239-47449-00	239-47449-00	239-47449-00	239-47449-00	239-47449-00
17	Screw #8-18 X 1/2 HWH	239-32761-00	239-32761-00	239-32761-00	239-32761-00	239-32761-00
18	Thermal Switch	239-43676-03	239-43676-03	239-43676-03	239-43676-03	239-43676-03
19	Screw #6-20 X 3/8 PHCR	239-43967-00	239-43967-00	239-43967-00	239-43967-00	239-43967-00
20	Screw #8-18 X 3/4 HWH	239-44195-00	239-44195-00	239-44195-00	239-44195-00	239-44195-00
21	Manifold Mount	239-46695-00	239-46201-00	239-46695-00	239-46201-00	239-46201-00
22	Inner Door Right Side Assembly	239-46697-04	239-46697-04	239-46697-03	239-46697-02	239-46697-03
23	RTD Sensor	239-46793-00	239-46793-00	239-46793-00	239-46793-00	239-46793-00
24	Screw #10-12 X 3/4 HWH	239-44113-00	239-44113-00	239-44113-00	239-44113-00	239-44113-00
25	Pipe Plug	---	---	---	---	---
26	Wire Tie	239-44328-00	239-44328-00	239-44328-00	239-44328-00	239-44328-00
27	ASSE Approved Mixing Valve (Optional)	239-43740-01	239-43740-01	239-43740-01	239-43740-01	239-43740-01
28	Kit-Thermopile	233-47446-00	233-47446-00	233-47446-00	233-47446-00	233-47446-00
29	Kit-Inner Door Gasket	239-47062-00	239-47062-00	239-47062-00	239-47062-00	239-47062-00
30	Pilot Orifice**	234-47098-00	234-47098-00	234-47098-00	234-47098-00	234-47098-00
31	Kit-Heat Trap Insert	265-45420-00	265-45420-00	265-45420-00	265-45420-00	265-45420-00
32	Intermediate Gas Valve Harness	239-46803-00	239-46803-00	239-46803-00	239-46803-00	239-46803-00
33	Gas Control Service Tool	239-45991-00	239-45991-00	239-45991-00	239-45991-00	239-45991-00
34	Gas Control Kit	239-49000-01	239-49000-01	239-49000-02	239-49000-01	239-49000-01

*Applies to all warranties

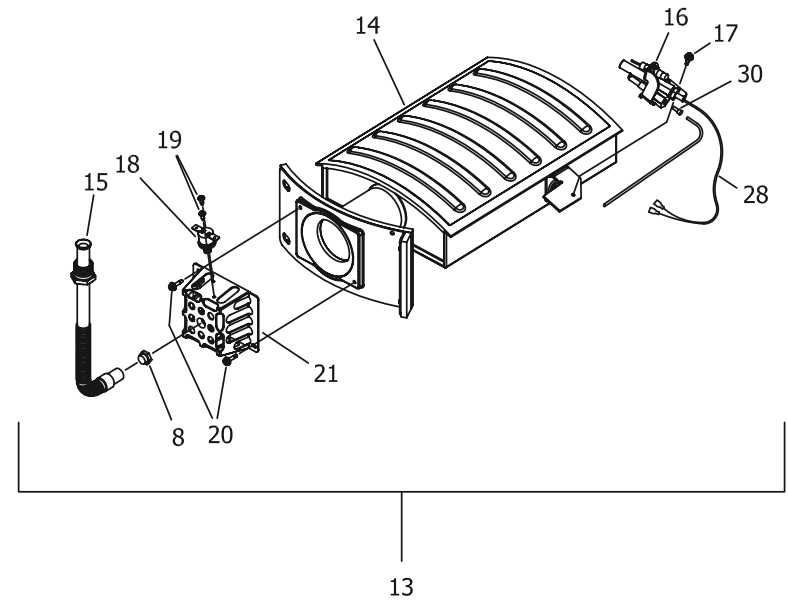
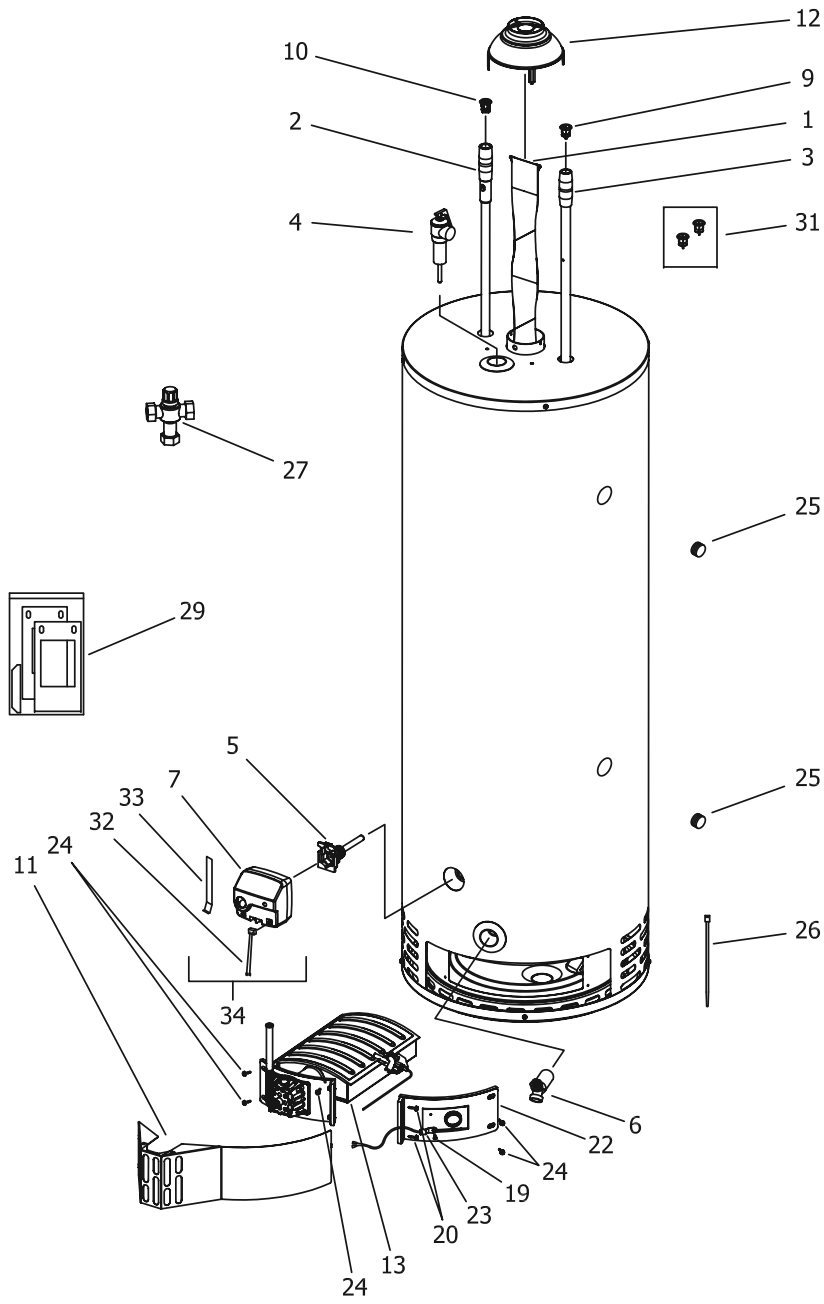
**Inner door gasket kit recommended

***Ordering a complete burner assembly may increase delivery time. Please order the specific component required for the quickest delivery.

▲ Order with item 9

▲▲ Order with item 10

† To be cut to length by installer.



Item	Description	Model U430T*FRN	Model U440T*FRN	Model U4403S*FRN	Model U4503*FRN	Model U460T*FRN
1	Flue Baffle	243-44639-00	243-42283-00	243-45223-00	243-44705-00	243-42283-00
2	Hot Water Outlet Anode (magnesium) ▲▲	224-47776-16	224-47776-17	224-47776-05	224-47776-12	224-47776-12
	Hot Water Outlet Anode (Aluminum) ▲▲	224-47778-16	224-47778-17	224-47778-05	224-47778-12	224-47778-12
	Hot Water Outlet A420 ▲▲	224-45147-02	224-45147-02	224-45147-04	224-45147-02	224-45147-04
3	Cold Water Inlet Dip Tube Polypropylene ▲	229-39625-23	229-39625-25	229-39625-03	229-39625-22	229-39625-14
	Cold Water Inlet Polysulfone (NC Code)▲	229-39628-26	229-39628-28	229-39628-03	229-39628-21	229-39628-14
4	T&P Relief Valve	230-40594-02	230-40594-02	230-40594-02	230-40594-02	230-40594-02
5	Thermal Well	239-45651-02	239-45651-02	239-45651-02	239-45651-02	233-45651-02
6	Drain Valve (Brass)	265-42351-02	265-42351-02	265-42351-02	265-42351-02	227-48070-02
7	Gas valve (Natural)	222-49000-01	222-49000-01	222-49000-01	222-49000-01	222-49000-01
8	Orifice	234-18194-42	234-18194-36	234-18194-36	234-18194-36	234-18194-36
9	Heat Trap Insert (Inlet)	239-45073-00	239-45073-00	239-45073-00	239-45073-00	239-45073-00
10	Heat Trap Insert (Outlet)	239-45167-00	239-45167-00	239-45167-00	239-45167-00	239-45167-00
11	Outer Door	239-46209-00	239-46209-00	239-46209-00	239-46209-00	239-46209-00
12	Draft Diverter	243-45787-00	243-45787-00	243-45787-00	243-45787-00	243-45787-00
13	Burner Assembly***	265-46693-02-42	265-46693-04-36	265-46693-06-36	265-46693-06-36	265-46693-06-36
14	Burner**	228-48383-14	228-48383-16	228-48383-18	228-48383-18	228-48383-18
15	Flexible Gas Feedline	233-46930-01	233-46930-01	233-46930-01	233-46930-01	233-46930-01
16	Pilot assembly kit without door gasket**	265-48999-05	265-48999-05	265-48999-05	265-48999-05	265-48999-05
	Pilot Assembly kit with door gasket	239-47449-00	239-47449-00	239-47449-00	239-47449-00	239-47449-00
17	Screw #8-18 X 1/2 HWH	239-32761-00	239-32761-00	239-32761-00	239-32761-00	239-32761-00
18	Thermal Switch	239-43676-03	239-43676-03	239-43676-03	239-43676-03	239-43676-03
19	Screw #6-20 X 3/8 PHCR	239-43967-00	239-43967-00	239-43967-00	239-43967-00	239-43967-00
20	Screw #8-18 X 3/4 HWH	239-44195-00	239-44195-00	239-44195-00	239-44195-00	239-44195-00
21	Manifold Mount	239-46201-00	239-46201-00	239-46201-00	239-46201-00	239-46201-00
22	Inner Door Right Side Assembly	239-46697-01	239-46697-02	239-46697-03	239-46697-03	239-46697-04
23	RTD Sensor	239-46793-00	239-46793-00	239-46793-00	239-46793-00	239-46793-00
24	Screw #10-12 X 3/4 HWH	239-44113-00	239-44113-00	239-44113-00	239-44113-00	239-44113-00
25	Pipe Plug	---	---	---	---	---
26	Wire Tie	239-44328-00	239-44328-00	239-44328-00	239-44328-00	239-44328-00
27	ASSE Approved Mixing Valve (Optional)	239-43740-01	239-43740-01	239-43740-01	239-43740-01	239-43740-01
28	Kit-Thermopile	233-47446-00	233-47446-00	233-47446-00	233-47446-00	233-47446-00
29	Kit-Inner Door Gasket	239-47062-00	239-47062-00	239-47062-00	239-47062-00	239-47062-00
30	Pilot Orifice**	234-47098-00	234-47098-00	234-47098-00	234-47098-00	234-47098-00
31	Kit-Heat Trap Insert	265-45420-00	265-45420-00	265-45420-00	265-45420-00	265-45420-00
32	Intermediate Gas Valve Harness	239-46803-00	239-46803-00	239-46803-00	239-46803-00	239-46803-00
33	Gas Control Service Tool	239-45991-00	239-45991-00	239-45991-00	239-45991-00	239-45991-00
34	Gas Control Kit	239-49000-01	239-49000-01	239-49000-01	239-49000-01	239-49000-01

*Applies to all warranties

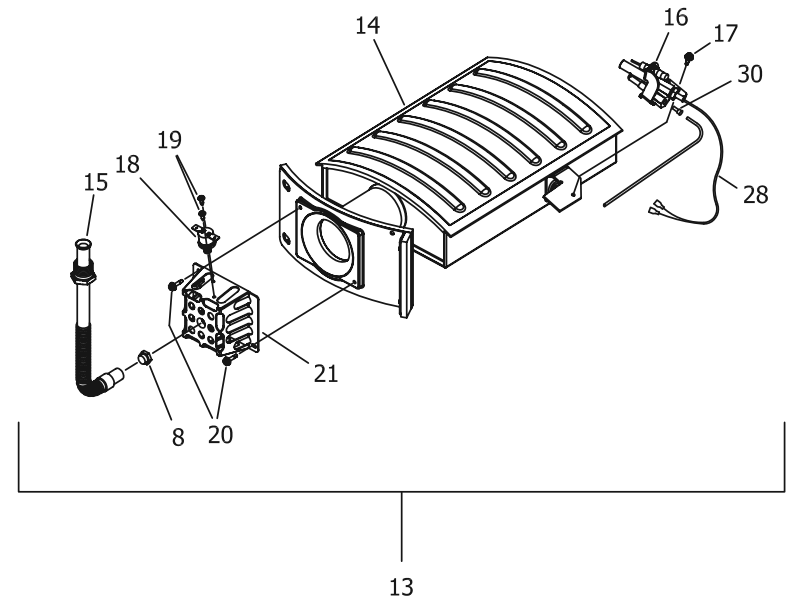
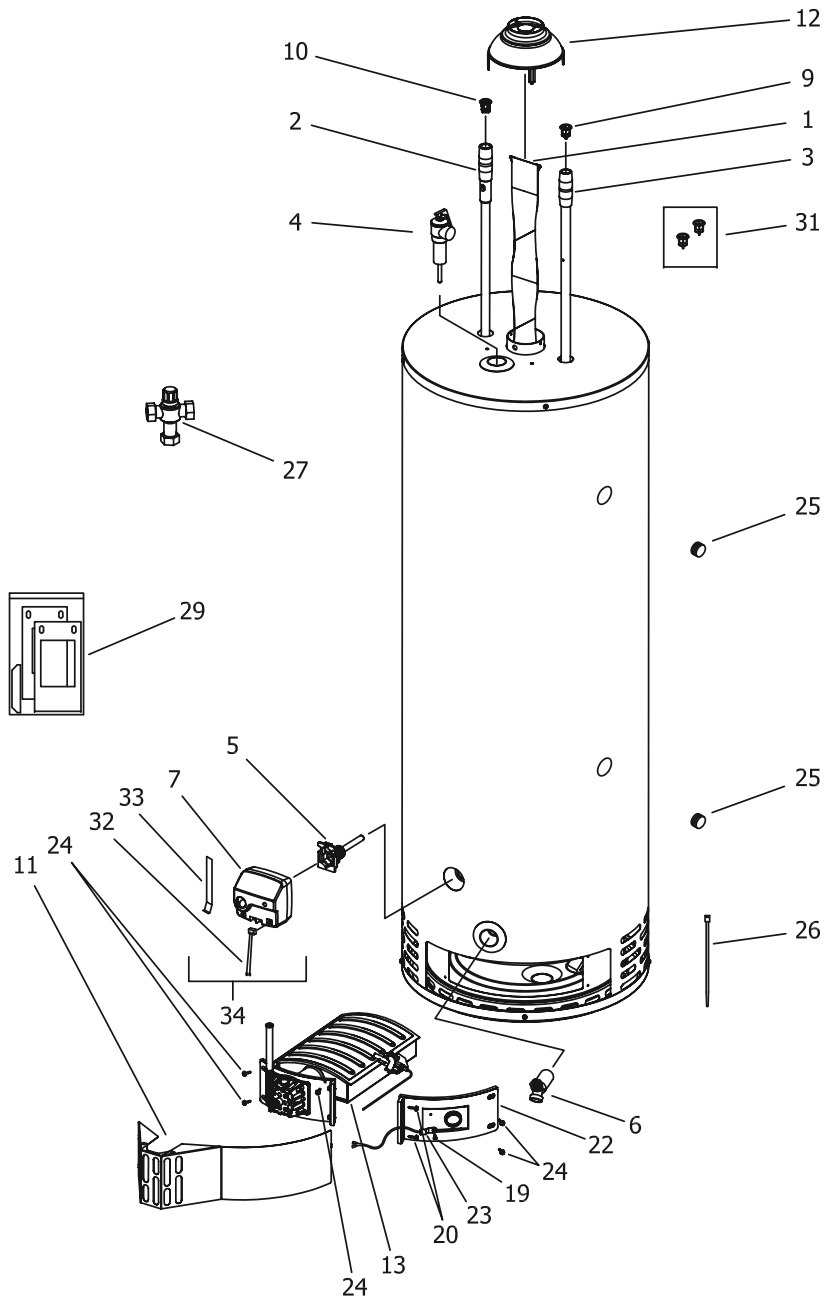
**Inner door gasket kit recommended

***Ordering a complete burner assembly may increase delivery time. Please order the specific component required for the quickest delivery.

▲ Order with item 9

▲▲ Order with item 10

† To be cut to length by installer.



Item	Description	Model U65T55FR*N	Model U1XR403S*FRN	Model U2XR504T*FRN	Model U2XR65T*FRN
1	Flue Baffle	243-46752-00	243-45223-00	243-41037-00	243-46752-00
2	Hot Water Outlet Anode (magnesium) ▲▲	224-47776-08	224-47776-05	224-47776-12	224-47776-08
	Hot Water Outlet Anode (Aluminum) ▲▲	224-47778-08	224-47778-05	224-47778-12	224-47778-08
	Hot Water Outlet A420 ▲▲	224-45147-03	224-45147-04	224-45147-01 †	224-45147-03
3	Cold Water Inlet Dip Tube Polypropylene ▲	229-39625-04	229-39625-03	229-39625-18	229-45398-07
	Cold Water Inlet Polysulfone (NC Code)▲	229-39628-04	229-39628-03	229-39628-18	229-45092-04
4	T&P Relief Valve	230-40594-03	265-32920-01	230-40594-02	230-40594-02
5	Thermal Well	233-45651-02	239-45651-01	239-45651-02	239-45651-02
6	Drain Valve (Brass)	227-48070-02	265-42351-02	265-42351-02	265-42351-02
7	Gas valve (Natural)	222-49000-02	222-49000-01	222-49000-01	222-49000-01
8	Orifice	234-18194-30	234-18194-36	234-18194-30	234-18194-30
9	Heat Trap Insert (Inlet)	239-45073-00	239-45073-00	239-45073-00	239-45073-00
10	Heat Trap Insert (Outlet)	239-45167-00	239-45167-00	239-45167-00	239-45167-00
11	Outer Door	239-46209-00	239-46209-00	239-46209-00	239-46209-00
12	Draft Diverter	243-33081-02	243-45787-00	243-33081-02	243-33081-02
13	Burner Assembly ***	243-46693-09-30	265-46693-05-36	265-46693-08-30	265-46693-09-30
14	Burner **	228-48383-18	228-48383-18	228-48383-19	228-48383-21
15	Flexible Gas Feedline	233-46930-01	233-46930-01	233-46930-01	233-46930-01
16	Pilot assembly kit without door gasket**	265-48999-05	265-48999-05	265-48999-05	265-48999-05
	Pilot Assembly kit with door gasket	239-47449-00	239-47449-00	239-47449-00	239-47449-00
17	Screw #8-18 X 1/2 HWH	239-32761-00	239-32761-00	239-32761-00	239-32761-00
18	Thermal Switch	239-43676-03	239-43676-03	239-43676-03	239-43676-03
19	Screw #6-20 X 3/8 PHCR	239-43967-00	239-43967-00	239-43967-00	239-43967-00
20	Screw #8-18 X 3/4 HWH	239-44195-00	239-44195-00	239-44195-00	239-44195-00
21	Manifold Mount	239-46201-00	239-46201-00	239-46201-00	239-46201-00
22	Inner Door Right Side Assembly	239-46697-04	239-46697-03	239-46697-03	239-46697-04
23	RTD Sensor	239-46793-00	239-46793-00	239-46793-00	239-46793-00
24	Screw #10-12 X 3/4 HWH	239-44113-00	239-44113-00	239-44113-00	239-44113-00
25	Pipe Plug	- - -	239-11638-00	239-11638-00	239-11638-00
26	Wire Tie	239-44328-00	239-44328-00	239-44328-00	239-44328-00
27	ASSE Approved Mixing Valve (Optional)	239-43740-01	239-43740-01	239-43740-01	239-43740-01
28	Kit-Thermopile	233-47446-00	233-47446-00	233-47446-00	233-47446-00
29	Kit-Inner Door Gasket	239-47062-00	239-47062-00	239-47062-00	239-47062-00
30	Pilot Orifice **	234-47098-00	234-47098-00	234-47098-00	234-47098-00
31	Kit-Heat Trap Insert	265-45420-00	265-45420-00	265-45420-00	265-45420-00
32	Intermediate Gas Valve Harness	239-46803-00	239-46803-00	239-46803-00	239-46803-00
33	Gas Control Service Tool	239-45991-00	239-45991-00	239-45991-00	239-45991-00
34	Gas Control Kit	239-49000-02	239-49000-01	239-49000-01	239-49000-01

*Applies to all warranties

**Inner door gasket kit recommended

***Ordering a complete burner assembly may increase delivery time. Please order the specific component required for the quickest delivery.

▲ Order with item 9

▲▲ Order with item 10

† To be cut to length by installer.



BRADFORD WHITE®

W A T E R H E A T E R S

Ambler, PA

For U.S. and Canada field service,
contact your professional installer or
local Bradford White sales representative.

Sales/800-523-2931
Fax/215-641-1670
Parts Fax/215-641-2180

Technical Support/800-334-3393
Fax/269-795-1089

Warranty/800-531-2111
Fax/269-795-1089

International:
Telephone/215-641-9400
Telefax/215-641-9750



BRADFORD WHITE-CANADA® INC.

Mississauga, ON

Sales/866-690-0961
905-238-0100

Fax/905-238-0105

Technical Support/800-334-3393

Email

parts@bradfordwhite.com
techserv@bradfordwhite.com

www.bradfordwhite.com