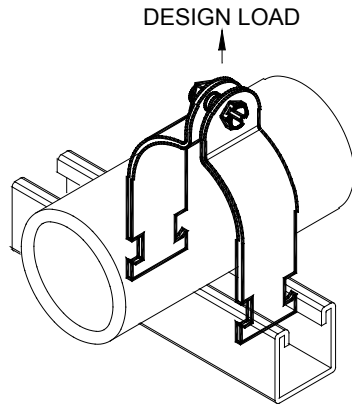


FIGURE 7872 - O.D. Strut Clamp



Catalog Number	Size (O.D.)			Design Load	
	in. (Fractions)	in. (Decimal)	mm	Lbs.	kN
FNW7872Z0025	1/4	0.250	6.4	400	1.78
FNW7872Z0037	3/8	0.375	9.5	400	1.78
FNW7872Z0050	1/2	0.500	12.7	400	1.78
FNW7872Z0062	5/8	0.625	15.9	400	1.78
FNW7872Z0075	3/4	0.750	19.0	400	1.78
FNW7872Z0087	7/8	0.875	22.3	400	1.78
FNW7872Z0100	1	1.000	25.4	600	2.67
FNW7872Z0112	1-1/8	1.125	28.6	600	2.67
FNW7872Z0125	1-1/4	1.250	31.8	600	2.67
FNW7872Z0137	1-3/8	1.375	34.9	600	2.67
FNW7872Z0150	1-1/2	1.500	38.1	600	2.67
FNW7872Z0162	1-5/8	1.625	41.3	600	2.67
FNW7872Z0175	1-3/4	1.750	44.5	800	3.56
FNW7872Z0187	1-7/8	1.875	47.6	800	3.56
FNW7872Z0200	2	2.000	50.8	800	3.56
FNW7872Z0212	2-1/8	2.125	54.0	800	3.56
FNW7872Z0225	2-1/4	2.250	57.2	800	3.56
FNW7872Z0237	2-3/8	2.375	60.3	800	3.56
FNW7872Z0250	2-1/2	2.500	63.5	800	3.56
FNW7872Z0262	2-5/8	2.625	66.7	800	3.56
FNW7872Z0275	2-3/4	2.750	69.9	800	3.56
FNW7872Z0287	2-7/8	2.875	73.0	800	3.56
FNW7872Z0300	3	3.000	76.2	800	3.56
FNW7872Z0312	3-1/8	3.125	79.4	800	3.56
FNW7872Z0325	3-1/4	3.250	82.6	800	3.56
FNW7872Z0337	3-3/8	3.375	85.7	800	3.56
FNW7872Z0350	3-1/2	3.500	88.9	800	3.56

FIGURE 7872 - O.D. Strut Clamp (continued)

Catalog Number	Size (O.D.)			Design Load	
	in. (Fractions)	in. (Decimal)	mm	Lbs.	kN
FNW7872Z0362	3-5/8	3.625	92.1	800	3.56
FNW7872Z0375	3-3/4	3.750	95.3	1000	4.45
FNW7872Z0387	3-7/8	3.875	98.4	1000	4.45
FNW7872Z0400	4	4.000	101.6	1000	4.45
FNW7872Z0412	4-1/8	4.125	104.8	1000	4.45
FNW7872Z0425	4-1/4	4.250	108.0	1000	4.45
FNW7872Z0437	4-3/8	4.375	111.1	1000	4.45
FNW7872Z0450	4-1/2	4.500	114.3	1000	4.45
FNW7872Z0462	4-5/8	4.625	117.5	1000	4.45
FNW7872Z0475	4-3/4	4.750	120.7	1000	4.45
FNW7872Z0487	4-7/8	4.875	123.8	1000	4.45
FNW7872Z0500	5	5.000	127.0	1000	4.45
FNW7872Z0512	5-1/8	5.125	130.2	1000	4.45
FNW7872Z0525	5-1/4	5.250	133.4	1000	4.45
FNW7872Z0537	5-3/8	5.375	136.5	1000	4.45
FNW7872Z0550	5-1/2	5.500	139.7	1000	4.45
FNW7872Z0562	5-5/8	5.625	142.9	1000	4.45
FNW7872Z0587	5-7/8	5.875	149.2	1000	4.45
FNW7872Z0600	6	6.000	152.4	1000	4.45
FNW7872Z0612	6-1/8	6.125	155.6	1000	4.45
FNW7872Z0637	6-3/8	6.375	161.9	1000	4.45
FNW7872Z0650	6-1/2	6.500	165.1	1000	4.45
FNW7872Z0662	6-5/8	6.625	168.3	1000	4.45
FNW7872Z0675	6-3/4	6.750	171.5	1000	4.45
FNW7872Z0750	7-1/2	7.500	190.5	1000	4.45
FNW7872Z0762	7-5/8	7.625	193.7	1000	4.45
FNW7872Z0775	7-3/4	7.750	196.9	1000	4.45
FNW7872Z0800	8	8.000	203.2	1000	4.45
FNW7872Z0837	8-3/8	8.375	212.7	1000	4.45
FNW7872Z0850	8-1/2	8.500	215.9	1000	4.45