



RJKB

Parts List
11-July-2015



*This parts list is current as of the above revision date.
See <http://www.rheempartslists.net/92-42800-RJKB.pdf> for the current revision.*

Package Heat Pumps - Commercial

Table of Contents

Model Explanation	Page 3
Parts Numbers	
Panels - Miscellaneous	Page 4
Panels - Miscellaneous (Continued)	Page 5
Coil Parts	Page 6
Fan Group	Page 7
Electrical Group (1)	Page 8
Electrical Group (2)	Page 9
Blower Group	Page 10
Compressor Group	Page 11
Heater Kits	Page 12
Accessories	Page 12
Drawings/Photographs	
Exploded View	Page 13
Compressor Assembly	Page 14
Control Box Assembly	Page 15
Blower Assembly	Page 15
Filter Rack Assembly	Page 16
Notes/Disclaimer	Page 17

MODEL NUMBER EXPLANATION

R	J	K	B	-	A	0	9	0	C	L	0	0	0
1	2	3	4		5	6			7	8	9		

- | | |
|--|---|
| <p>1 TRADE NAME IDENTIFICATION</p> <p>2 J = PACKAGED HEAT PUMP</p> <p>3 EFFICIENCY DESIGNATION
K = Standard Efficiency</p> <p>4 DESIGN SERIES
B = 2nd Design</p> <p>5 TECHNICAL VARIATIONS</p> <p>6 COOLING CAPACITY (BTU/HR)
090 = 90,000
120 = 120,000</p> | <p>7 ELECTRIC DESIGNATION
C = 208-230/3/60
D = 460/3/60
N = 380-415/3/50
P = 200-220/3/50
Y = 575/3/60</p> <p>8 DRIVE PACKAGE
L=Belt Drive
M=Belt Drive-High Static</p> <p>9 HEATING CAPACITY-(MBH)
000 = No Resistance Heat
010 = 10 KW Resistance Heat
015 = 15 KW Resistance Heat
020 = 20 KW Resistance Heat
030 = 30 KW Resistance Heat
040 = 40 KW Resistance Heat
050 = 50 KW Resistance Heat</p> |
|--|---|

SERIAL NUMBER EXPLANATION

1	2	3	4	F	0	5	0	0	0	0	0	0	1
	1			2		3		4				5	

- 1 COMPRESSOR IDENTIFICATION NUMBER**
- 2 PRODUCTION LOCATION**
F = Fort Smith, AR
M = Milledgeville, GA
- 3 WEEK OF PRODUCTION**
- 4 YEAR OF PRODUCTION**
- 5 PRODUCTION NUMBER**

No.	Notes	MODEL TECHNICAL VARIATIONS COOLING CAPACITY	RJKB- A 090	RJKB- A 120
PANELS, SHEET METAL, MISCELLANEOUS				
BASE RAILS:				
A		Front	AE-90575-03	AE-90575-03
B		Right	AE-90576-03	AE-90576-03
C		Rear	AE-90575-04	AE-90575-04
D		Left	AE-90576-04	AE-90576-04
BASE PANS:				
E		Outdoor Coil Base Pan	AS-90577-04	AS-90577-04
F		Indoor Coil Base Pan	AS-90577-02	AS-90577-02
INSIDE CABINET PANEL/PIECES:				
G		Entry Plate	AE-90614-02	AE-90614-02
H		Entry Plate	AE-90614-01	AE-90614-01
J		Heat Compartment Side	AE-90598-04	AE-90598-04
K		Blower Deck	AS-90592-03	AS-90592-03
L		Wireway	AE-90718-02	AE-90718-02
M		Condenser Bulkhead	AS-90609-05	AS-90609-05
FRONT:				
1		Control Box / Filter Access Panel	AS-90678-02	AS-90678-02
2		Hinge	64-42546-03	64-42546-03
3		Hinge	64-42546-04	64-42546-04
4		Left - Front Panel	AS-90620-09	AS-90620-09
5		Control Box Cover	AE-90713-02	AE-90713-02
6		Control Mounting Panel	AE-90712-02	AE-90712-02
7		Low Voltage Shield	AE-90742-03	AE-90742-03
8		Control Box Back	AS-90601-02	AS-90601-02
9		Bracket	AE-90779-02	AE-90779-02
10		Post (3)	AE-90732-02	AE-90732-02
11		Condensor Section Divider Panel	AE-90735-02	AE-90735-02
12a		Electric Heat Access Panel	AS-90722-02	AS-90722-02
12b		Hinge	64-42546-04	64-42546-04
12c		Hinge	64-42546-03	64-42546-03
13		Power Entry Plate	AS-90774-02	AS-90774-02
14		Blower Access Panel	AS-90622-02	AS-90622-02
15		Right - Front Panel	AS-90620-08	AS-90620-08
16		Heat Mounting Frame	AS-90754-02	AS-90754-02
17a		Compressor Access Panel-Front	AE-90734-03	AE-90734-03
18		Front Corner Post	AE-90701-02	AE-90701-02
19a		Service Panel (Front)	AS-90741-04	AS-90741-04
22a		Louvered Panel - Optional	AE-90726-02	AE-90726-02

No.	Notes	MODEL TECHNICAL VARIATIONS COOLING CAPACITY	RJKB- A 090	RJKB- A 120
PANELS, SHEET METAL, MISCELLANEOUS				
RIGHT:				
20		Louvered Panel - Optional (2)	AE-90726-03	AE-90726-03
REAR:				
17b		Compressor Access Panel-Rear	AE-90734-04	AE-90734-04
19b		Service Panel (Rear)	AS-90741-03	AS-90741-03
21		Rear Corner Post	AE-90702-02	AE-90702-02
22b		Louvered Panel - Optional	AE-90726-02	AE-90726-02
23		Rear Panel	AS-90618-02	AS-90618-02
24		Supply Cover	AS-90626-02	AS-90626-02
25		Return Cover	AS-90628-02	AS-90628-02
LEFT:				
26		Upper Left Panel	AS-90624-03	AS-90624-03
27		Lower Left Panel	AS-90624-04	AS-90624-04
28		Left Corner Panel	AS-90755-02	AS-90755-02
TOP:				
29		Top Panel	AS-90616-02	AS-90616-02
30		Condenser Top Panel	AS-90703-04	AS-90703-04
31		Venturi (2)	AE-90632-01	AE-90632-01
32		Wire Grille (2)	95-42507-01	95-42507-01
FILTER PIECES:				
44a/ b		Filter Frame (2)	AE-90606-02	AE-90606-02
45		Air Stop Bottom	AE-90605-03	AE-90605-03
46		Stop Air Stop	AE-90605-07	AE-90605-07
47		Top Air Stop	AS-90604-02	AS-90604-02
48a/ b		Filter Channel (2)	AS-90607-02	AS-90607-02
49		Filter Channel (2)	AE-90608-02	AE-90608-02
50		Filter (6)	54-42541-01	54-42541-01
51		Filter Slide (2)	AE-90615-01	AE-90615-01

No.	Notes	MODEL TECHNICAL VARIATIONS COOLING CAPACIATY	RJKB- A 090	RJKB- A 120
COIL GROUP				
REFRIGERATION:				
33	Stk	Reversing Valve with Solenoid Coil (2) - Before Date Code F4604	61-22881-06	61-22881-06
33	Stk	Reversing Valve with Solenoid Coil (2) - On or After Date Code F4604	61-102498-06	61-102498-06
	Stk	Wire Harness - Reversing Valve Coil (2)	61-26149-01	61-26149-01
	Stk	Accumulator (2)	83-22459-08	83-22459-08
CONDENSER COIL:				
37a	Stk	Condenser Coil - Outdoor-Front	AS-90656-18	AS-90656-14
	Stk	Flowcheck Distributor Assembly	61-26116-62	61-26116-76
	Stk	Flowcheck Piston	61-25414-62	61-25414-76
37b	Stk	Condenser Coil - Outdoor-Rear	AS-90656-17	AS-90656-13
	Stk	Flowcheck Distributor Assembly	61-26116-62	61-26116-76
	Stk	Flowcheck Piston	61-25414-62	61-25414-76
EVAPORATOR COIL:				
42	Stk	Complete Coil - Indoor	AS-90656-19	AS-90656-15
	Stk	Flowcheck Distributor Assembly (2)	61-26116-84	61-26116-94
	Stk	Flowcheck Piston (2)	61-25414-84	61-25414-94
		Drain Pan	68-42500-01	68-42500-01

No.	Notes	MODEL TECHNICAL VARIATIONS COOLING CAPACITY VOLTAGE	RJKB- A 090 ALL	RJKB- A 120 ALL
FAN GROUP - All Voltages				
53	Stk	Fan Blade (2)	70-42572-01	70-42572-01
54	Stk	Motor Fan Cap (2)	56-17070-01	56-17070-01
55	Stk	Motor Mount Outdoor Fan (2)	70-42504-01	70-42504-01

No.	Notes	MODEL TECHNICAL VARIATIONS COOLING CAPACITY VOLTAGE	RJKB- A 090 C	RJKB- A 120 C
FAN GROUP - C Voltage				
52	Stk	Motor (2)	51-42534-01	51-42534-01
60	Stk	Run Capacitor(2)	43-100496-12	43-100496-12

No.	Notes	MODEL TECHNICAL VARIATIONS COOLING CAPACITY VOLTAGE	RJKB- A 090 D	RJKB- A 120 D
FAN GROUP - D Voltage				
52	Stk	Motor (2)	51-42534-02	51-42534-02
60	Stk	Run Capacitor(2)	43-100496-12	43-100496-12

No.	Notes	MODEL TECHNICAL VARIATIONS COOLING CAPACITY VOLTAGE	RJKB- A 090 N	RJKB- A 120 N
FAN GROUP - N Voltage				
52	Stk	Motor (2)	51-42534-02	51-42534-02
60	Stk	Run Capacitor(2)	43-100496-12	43-100496-12

No.	Notes	MODEL TECHNICAL VARIATIONS COOLING CAPACITY VOLTAGE	RJKB- A 090 P	RJKB- A 120 P
FAN GROUP - P Voltage				
52	Stk	Motor (2)	N/A	51-42534-01
60	Stk	Run Capacitor(2)	N/A	43-100496-12

No.	Notes	MODEL TECHNICAL VARIATIONS COOLING CAPACITY VOLTAGE	RJKB- A 090 Y	RJKB- A 120 Y
FAN GROUP - Y Voltage				
52	Stk	Motor (2)	51-42534-03	51-42534-03
60	Stk	Run Capacitor(2)	43-100496-12	43-100496-12

No.	Notes	MODEL TECHNICAL VARIATION COOLING CAPACITY	RJKB- A 090	RJKB- A 120
ELECTRIC GROUP				
CONTROL BOX COMPONENTS:				
6	Stk	Control Box Mounting Panel	AE-90712-02	AE-90712-02
58		Double Row Terminal Block	45-42548-01	45-42548-01
59	Stk	Blower Contactor	42-102664-08	42-102664-08
60		Run Capacitor	See Fan Group For Capacitor	
Note: Low Voltage Terminal Block - 9 terminal block pieces are used in this application. The replacement 45-40361-66 is a kit that includes 13 terminal block pieces and 1 end piece. Order the amount of kits based on the replacement needed.				
61		Low Voltage Terminal Block	45-40361-66	45-40361-66
62		Compressor Contactor (2)	42-102664-08	42-102664-08
38		Terminal Strip	45-23591-01	45-23591-01
40	Stk	Defrost Relay (2)	42-21786-06	42-21786-06
	Stk	Defrost Sensor (2)	47-21777-07	47-21777-07
		Accessory Relay	42-19736-05	42-19736-05

No.	Notes	MODEL TECHNICAL VARIATION COOLING CAPACITY VOLTAGE	RJKB- A 090 C	RJKB- A 120 C
ELECTRIC GROUP - C Voltage				
CONTROL BOX COMPONENTS:				
39	Stk	Defrost Control Board (2) - before F0200 (includes defrost sensor)	47-21776-06	47-21776-06
39	Stk	Defrost Control Board (2) - on or after F0200	47-21776-11	47-21776-11
43	Stk	Relay - Electric Heat	42-101208-01	42-101208-01
56	Stk	Transformer - 75 VA	46-42515-01	46-42515-01
57	Stk	Transformer - 100 VA	46-42515-04	46-42515-04

No.	Notes	MODEL TECHNICAL VARIATION COOLING CAPACITY VOLTAGE	RJKB- A 090 D	RJKB- A 120 D
ELECTRIC GROUP - D Voltage				
CONTROL BOX COMPONENTS:				
39	Stk	Defrost Control Board (2) - before F0200 (includes defrost sensor)	47-21776-06	47-21776-06
39	Stk	Defrost Control Board (2) - on or after F0200	47-21776-11	47-21776-11
43	Stk	Relay - Electric Heat	42-101208-01	42-101208-01
56	Stk	Transformer - 75 VA	46-42515-02	46-42515-02
57	Stk	Transformer - 100 VA	46-42515-05	46-42515-05

No.	Notes	MODEL TECHNICAL VARIATION COOLING CAPACITY VOLTAGE	RJKB- A 090 N	RJKB- A 120 N
ELECTRIC GROUP - N Voltage				
CONTROL BOX COMPONENTS:				
39	Stk	Defrost Control Board (2) - before F0200 (includes defrost sensor)	47-21776-06	47-21776-06
39	Stk	Defrost Control Board (2) - on or after F0200	47-21776-11	47-21776-11
43	Stk	Relay - Electric Heat	42-101208-01	42-101208-01
56	Stk	Transformer - 75 VA	46-42515-03	46-42515-03
57	Stk	Transformer - 100 VA	46-42515-06	46-42515-06

No.	Notes	MODEL TECHNICAL VARIATION COOLING CAPACITY VOLTAGE	RJKB- A 090 P	RJKB- A 120 P
ELECTRIC GROUP - P Voltage				
CONTROL BOX COMPONENTS:				
39	Stk	Defrost Control Board (2) - before F0200 (includes defrost sensor)	N/A	47-21776-06
39	Stk	Defrost Control Board (2) - on or after F0200	N/A	47-21776-11
43	Stk	Relay - Electric Heat	N/A	42-101208-01
56	Stk	Transformer - 75 VA	N/A	46-42515-01
57	Stk	Transformer - 100 VA	N/A	46-42515-04

No.	Notes	MODEL TECHNICAL VARIATION COOLING CAPACITY VOLTAGE	RJKB- A 090 Y	RJKB- A 120 Y
ELECTRIC GROUP - Y Voltage				
CONTROL BOX COMPONENTS:				
39	Stk	Defrost Control Board (2) - before F0200 (includes defrost sensor)	47-21776-06	47-21776-06
39	Stk	Defrost Control Board (2) - on or after F0200	47-21776-11	47-21776-11
43	Stk	Relay - Electric Heat	42-101208-01	42-101208-01
56	Stk	Transformer - 75 VA	46-42515-02	46-42515-02
57	Stk	Transformer - 100 VA	46-42515-05	46-42515-05

No.	Notes	MODEL	RJKB- A 090	RJKB- A 120
		TECHNICAL VARIATION COOLING CAPACITY		
BLOWER ASSEMBLY GROUP - BELT DRIVE				
64	Stk	Blower Assembly (Less Motor, Belt and Pulley)	AS-90757-01	AS-90757-01
		Scroll Side	Can not be ordered individually	
		Scroll Side	Can not be ordered individually	
		Scroll Wrap	Can not be ordered individually	
65	Stk	Wheel	70-42540-02	70-42540-02
66		Bearing Frame Tri-Arm (2)	70-42540-05	70-42540-05
67		Bearing with Bearing Lock (2)	70-41854-02	70-41854-02
68	Stk	1" Blower Shaft	70-42540-04	70-42540-04
69		Blower Mounting Angles (2)	AE-90708-01	AE-90708-01
70		Motor Mount	AE-90710-02	AE-90710-02
72	Stk	Variable Sheave	71-42538-02	71-42538-02

No.	Notes	MODEL	RJKB- A 090	RJKB- A 120
		TECHNICAL VARIATION COOLING CAPACITY		
BELT, FIXED SHEAVE, BUSHING and MOTOR - L Drive Package				
73	Stk	Belt	71-40438-27	71-40438-27
74	Stk	Fixed Sheave	71-100774-02	71-100774-02
	Stk	H Bushing	71-100773-01	71-100773-01
71	Stk	Motor - (C and D)	51-42536-01	51-42536-01
71	Stk	Motor - N and P)	51-42537-01	51-42537-01
71	Stk	Motor - (Y)	51-42536-02	51-42536-02

No.	Notes	MODEL	RJKB- A 090	RJKB- A 120
		TECHNICAL VARIATION COOLING CAPACITY		
BELT, FIXED SHEAVE, BUSHING and MOTOR - M Drive Package				
73	Stk	Belt	71-40438-23	71-40438-23
74	Stk	Fixed Sheave	71-100774-04	71-100774-04
	Stk	H Bushing	71-100773-01	71-100773-01
71	Stk	Motor - (C and D)	51-42537-01	51-42537-01
71	Stk	Motor - N and P)	51-42537-01	51-42537-01
71	Stk	Motor - (Y)	N/A	N/A

No.	Notes	MODEL TECHNICAL VARIATION COOLING CAPACITY ELECTRICAL DESIGNATION	RJKB- A 090 C	RJKB- A 120 C
COMPRESSOR GROUP				
		Compressor ID:	6353	6359
75	Stk	Compressor (2)	55-23140-40	55-23140-47
	Stk	Adapter (2)	82-20870-04	82-20870-04

No.	Notes	MODEL TECHNICAL VARIATION COOLING CAPACITY ELECTRICAL DESIGNATION	RJKB- A 090 D	RJKB- A 120 D
COMPRESSOR GROUP				
		Compressor ID:	6354	6360
75	Stk	Compressor (2)	55-23140-41	55-23140-48
	Stk	Adapter (2)	82-20870-04	82-20870-04

No.	Notes	MODEL TECHNICAL VARIATION COOLING CAPACITY ELECTRICAL DESIGNATION	RJKB- A 090 N	RJKB- A 120 N
COMPRESSOR GROUP				
		Compressor ID:	6355	6361
75	Stk	Compressor (2)	55-23140-41	55-23140-48
	Stk	Adapter (2)	82-20870-04	82-20870-04

No.	Notes	MODEL TECHNICAL VARIATION COOLING CAPACITY ELECTRICAL DESIGNATION	RJKB- A 090 P	RJKB- A 120 P
COMPRESSOR GROUP				
		Compressor ID:	N/A	6362
75	Stk	Compressor (2)	N/A	55-23140-47
	Stk	Adapter (2)	N/A	82-20870-04

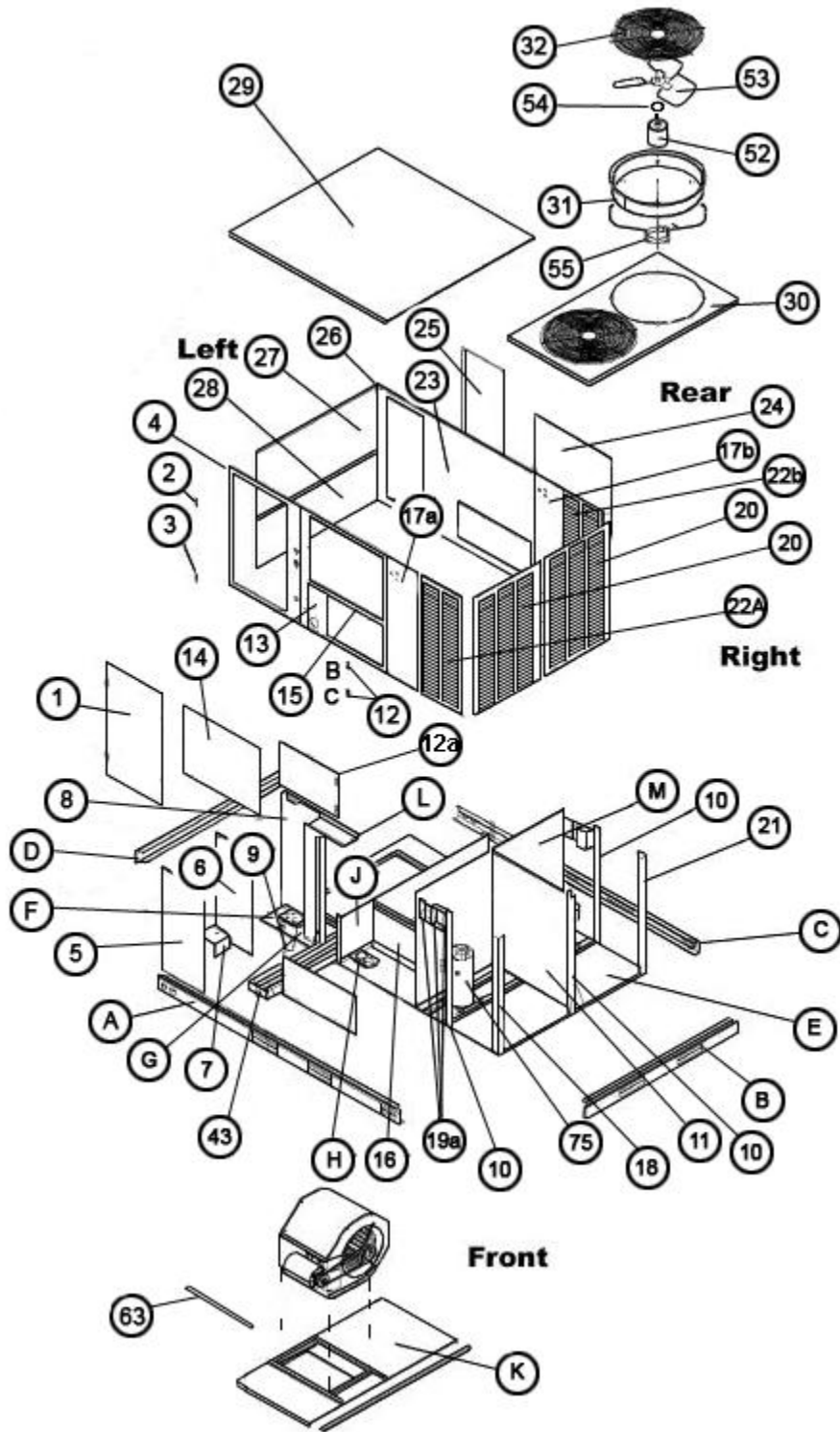
No.	Notes	MODEL TECHNICAL VARIATION COOLING CAPACITY ELECTRICAL DESIGNATION	RJKB- A 090 Y	RJKB- A 120 Y
COMPRESSOR GROUP				
		Compressor ID:	6358	6364
75	Stk	Original Compressor (2)	55-23140-42	55-23140-49
	Stk	Adapter (2)	82-20870-04	82-20870-04

No.	Notes	MODEL TECHNICAL VARIATION COOLING CAPACITY ELECTRICAL DESIGNATION	RJKB A 090-120 C	RJKB A 090-120 P	RJKB A 090-120 D	RJKB A 090-120 N	RJKB A 090-120 Y
HEATER KITS							
		Heater Kit - 10kW	RXJJ-CC10C	RXJJ-CC10P	RXJJ-CC10D	RXJJ-CC10N	RXJJ-CC10Y
		Heater Kit - 15 kW	RXJJ-CC15C	RXJJ-CC15P	RXJJ-CC15D	RXJJ-CC15N	RXJJ-CC15Y
		Heater Kit - 20kW	RXJJ-CC20C	RXJJ-CC20P	RXJJ-CC20D	RXJJ-CC20N	RXJJ-CC20Y
		Heater Kit - 30 kW	RXJJ-CC30C	RXJJ-CC30P	RXJJ-CC30D	RXJJ-CC30N	RXJJ-CC30Y
		Heater Kit - 40 kW	RXJJ-CC40C	RXJJ-CC40P	RXJJ-CC40D	RXJJ-CC40N	RXJJ-CC40Y
		Heater Kit - 50 kW	RXJJ-CC50C	RXJJ-CC50P	RXJJ-CC50D	RXJJ-CC50N	RXJJ-CC50Y

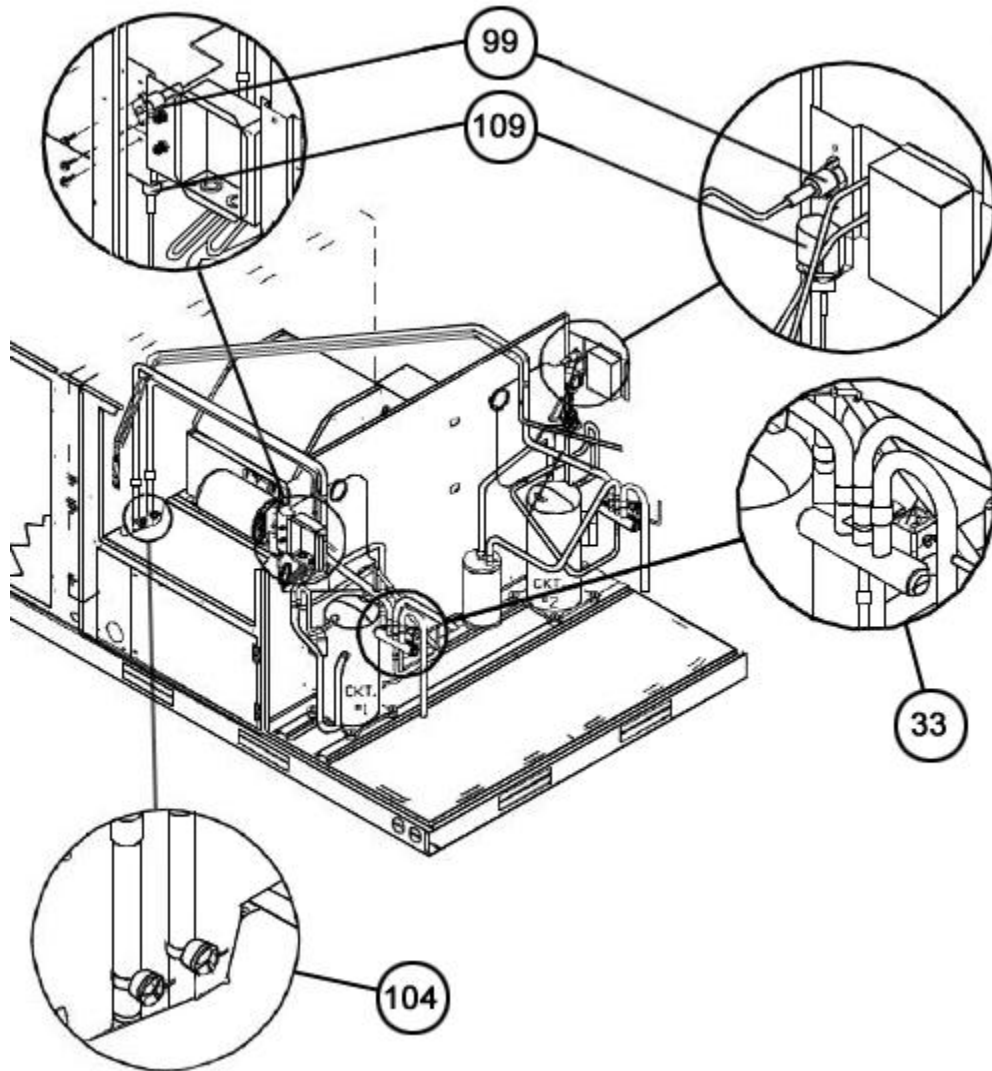
No.	Notes	MODEL TECHNICAL VARIATION ELECTRICAL DESIGNATION	RJKB- A C	RJKB- A D	RJKB- A Y		
POWER EXHAUST							
		Power Exhaust	RXRX-BFF02C	RXRX-BFF02D	RXRX-BFF02Y		

No.	Notes	MODEL VARIATIONS	RJKB- ALL				
ECONOMIZERS							
		Economizers - Outdoor Air Sensor Field Install	RXRD-EDCM2				
		Economizers - Single Enthalpy Field	RXRD-EDCM3				
		Economizers - Dual Enthalpy	RXRD-EDCM4				

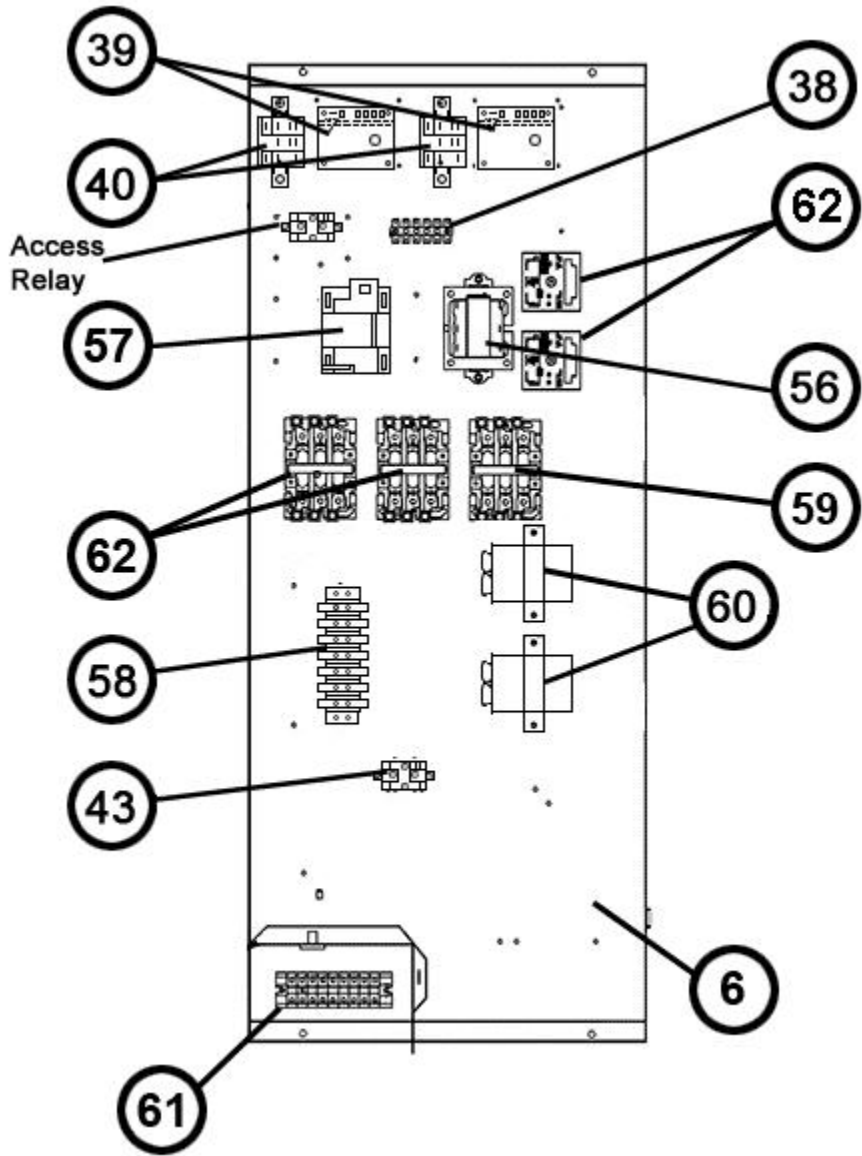
No.	Notes	MODEL TECHNICAL VARIATION COOLING CAPACITY	RJKB A 090-120				
FACTORY INSTALLED OPTIONS							
		Louver Panel - Option	RXRX-AAD01D				
		Time Delay Relay - Option	RXMD-A04				
99		High Pressure / Low Pressure Control Factory Installed Option	RXAB-A06				
104		Freeze Stat - Option	RXRX-AM01				
109		Low Ambient Control - Option	RXRZ-A91				



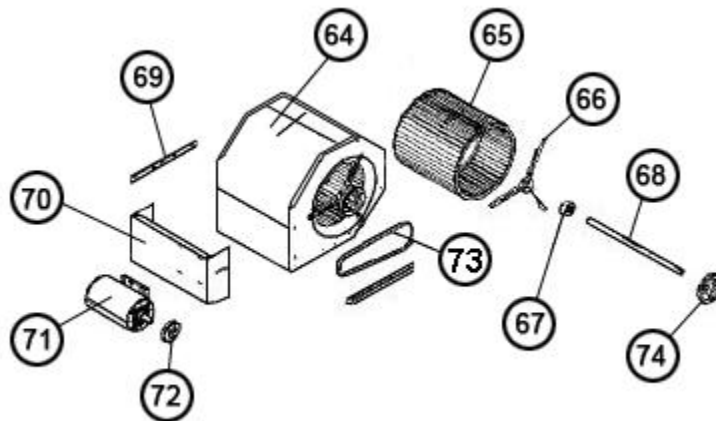
Exploded View



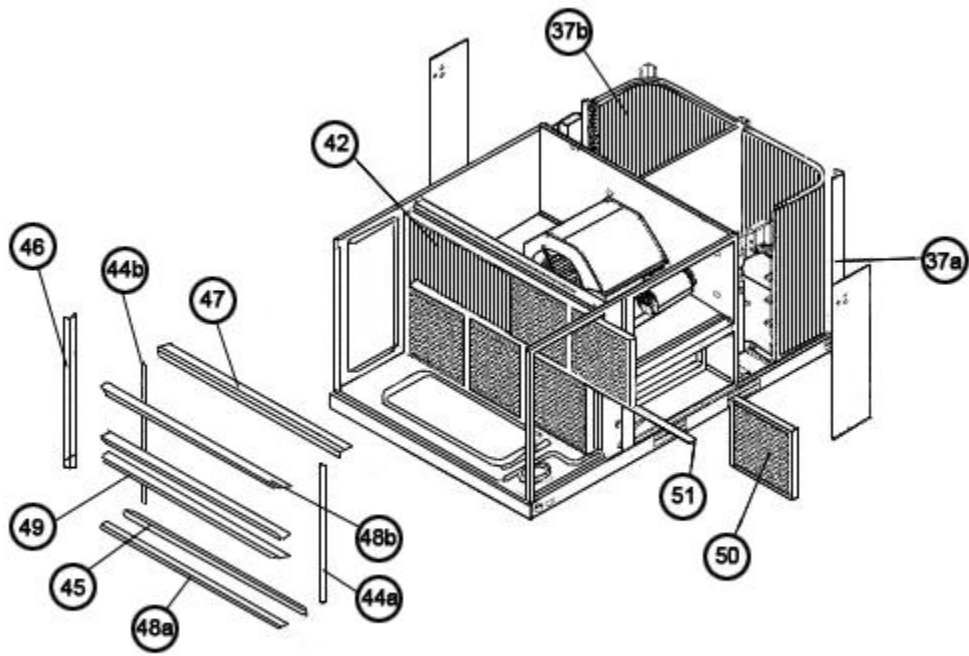
Compressor Assembly



Control Box Assembly



Blower Assembly



Filter Rack Assembly

NOTES

Stk It is recommended that stock be maintained for this part.
N/A Not Applicable

DISCLAIMER: This document is intended to provide general replacement parts information to aid qualified service personnel in the repair of these models. The complete Model and Serial Number of the unit under repair should be specified when selecting and ordering replacement parts. Specifications and illustrations are subject to change without notice. Document 92-42800-RJKB supersedes all previous parts lists for these models. See <http://www.rheempartslists.net/92-42800-RJKB> for the latest revision of this document. The manufacturer assumes no obligation for errors or omissions. Service personnel must verify the proper and safe operation of equipment after the replacement of any original components.