



RAMC

Parts List
23-April-2014



*This parts list is current as of the above revision date.
See <http://www.rheempartslists.net/92-42800-RAMC.pdf> for the current revision.*

Condensing Units

Table of Contents

Model Explanation	Page 3
Parts Numbers	
Panels - Miscellaneous	Page 4
Electrical Group	Page 5
Fan Group	Page 6
Coil Parts	Page 7
Compressor Group	Page 8
Accessories	Page 9
Drawings/Photographs	
Exploded View	Page 10
Control Box Assembly	Page 11
Notes/Disclaimer	Page 12

MODEL NUMBER EXPLANATION

R	A	M	C	-	0	2	4	J	A	Z
(1)	(2)	(3)	(4)			(5)		(6)	(7)	(8)

(1) TRADE BRAND IDENTIFICATION

(2) MODEL

A= CONDENSING UNIT

(3) TYPE

M= HIGH EFFICIENCY

(4) DESIGN SERIES / VARIATION

C= THIRD DESIGN

(5) COOLING CAPACITY

018= 18,000 BTU/HR
 024= 24,000 BTU/HR
 030= 30,000 BTU/HR
 036= 36,000 BTU/HR
 042= 42,000 BTU/HR
 048= 48,000 BTU/HR
 060= 60,000 BTU/HR

(6) ELECTRICAL DESIGNATION

C= 208-230/3/60
 J= 208-230/1/60

(7) VARIATIONS

A= STANDARD MODEL
 B= COMPETITIVE MODEL

(8) COMPRESSOR

Z= SWEAT W/ SCROLL

SERIAL NUMBER EXPLANATION

6	9	6	4	M	2	7	0	4	9	9	9	9	9
(1)				(2)	(3)		(4)		(5)				

(1) COMPRESSOR IDENTIFICATION NUMBER

(2) PRODUCTION LOCATION

F = FORT SMITH, AK
 M = MILLEDGEVILLE, GA

(3) WEEK OF PRODUCTION

(4) YEAR OF PRODUCTION

(5) PRODUCTION NUMBER

No.	Notes	MODEL COOLING CAPACITY	RAMC -018	RAMC -024	RAMC -030	RAMC -036
SHEET METAL PARTS, MISCELLANEOUS						
1		Base Pan	AE-58426-01	AE-58426-01	AE-58426-02	AE-58426-03
2		Button Plug	45-22980-07	45-22980-07	45-22980-07	45-22980-07
3		Cabinet	AE-100609-02	AE-100609-02	AE-100609-03	AE-100609-04
4		Top Panel	AE-100618-01	AE-100618-01	AE-100618-03	AE-100618-05
5		Grille	95-100906-01	95-100906-01	95-100906-03	95-100906-04
6		Control Box	AE-100633-01	AE-100633-01	AE-100633-01	AE-100633-01
6a		Capacitor Adapter Plate (2 in. round capacitor)	AE-54609-01	AE-54609-01	AE-54609-01	AE-54609-01
6a		Capacitor Adapter Plate (2 in. X 1-1/4 in. oval capacitor)	AE-54609-02	AE-54609-02	AE-54609-02	AE-54609-02
7		Access Panel	AE-100617-02	AE-100617-02	AE-100617-03	AE-100617-04
8		Service Valve - Suction (Before F4204, M4204)	61-21368-15	61-21368-15	61-21368-15	61-21368-16
8		Service Valve - Suction (After F4204, M4204)	61-21368-15	61-21368-15	61-21368-15	61-101160-21
9		Service Valve - Liquid	61-21368-13	61-21368-13	61-21368-13	61-21368-13
		Touch-up Paint (Aerosol)	52-18662-48	52-18662-48	52-18662-48	52-18662-48
		Touch-up Paint (Paint Pens)	523010	523010	523010	523010

No.	Notes	MODEL COOLING CAPACITY	RAMC -042	RAMC -048	RAMC -060	
SHEET METAL PARTS, MISCELLANEOUS						
1		Base Pan	AE-58426-03	AE-58426-03	AE-58426-03	
2		Button Plug	45-22980-07	45-22980-07	45-22980-07	
3		Cabinet	AE-100609-04	AE-100609-05	AE-100609-07	
4		Top Panel	AE-100618-05	AE-100618-05	AE-100618-05	
5		Grille	95-100906-04	95-100906-04	95-100906-04	
6		Control Box	AE-100633-01	AE-100633-01	AE-100633-01	
6a		Capacitor Adapter Plate (2 in. round capacitor)	AE-54609-01	AE-54609-01	AE-54609-01	
6a		Capacitor Adapter Plate (2 in. X 1-1/4 in. oval capacitor)	AE-54609-02	AE-54609-02	AE-54609-02	
6b		Capacitor Strap - Start Capacitor	N/A	AE-50892-51	AE-50892-51	
7		Access Panel	AE-100617-04	AE-100617-05	AE-100617-07	
8		Service Valve - Suction (Before F4204, M4204)	61-21368-16	61-21368-16	61-21368-16	
8		Service Valve - Suction (After F4204, M4204)	61-101160-21	61-21368-16	61-21368-16	
9		Service Valve - Liquid	61-21368-13	61-21368-13	61-21368-13	
		Touch-up Paint (Aerosol)	52-18662-48	52-18662-48	52-18662-48	
		Touch-up Paint (Paint Pens)	523010	523010	523010	

No.	Notes	MODEL COOLING CAPACITY ELECTRICAL DESIGNATION	RAMC -018 J	RAMC -024 J	RAMC -030 J	RAMC -036 J
ELECTRICAL GROUP						
CONTROL BOX COMPONENTS:						
10	Stk	Contactora	42-42139-05	42-42139-05	42-42139-05	42-42139-05
11		Capacitor - Compressor/Fan	See Compressor Group			
		High/Low Pressure Controls	See Coil Group			

No.	Notes	MODEL COOLING CAPACITY ELECTRICAL DESIGNATION	RAMC -042 J	RAMC -048 J	RAMC -060 J	
ELECTRICAL GROUP						
CONTROL BOX COMPONENTS:						
10	Stk	Contactora	42-42728-03	42-42728-03	42-42478-02	
11		Capacitor - Compressor/Fan	See Compressor Group			
		High/Low Pressure Controls	See Coil Group			

No.	Notes	MODEL COOLING CAPACITY ELECTRICAL DESIGNATION	RAMC -036 C	RAMC -042 C	RAMC -048 C	RAMC -060 C
ELECTRICAL GROUP						
CONTROL BOX COMPONENTS:						
10	Stk	Contactora	42-22464-01	42-22464-01	42-22464-01	42-22464-01
11		Capacitor - Fan Motor	See Fan Group			
		High/Low Pressure Controls	See Coil Group			

No.	Notes	MODEL COOLING CAPACITY ELECTRICAL DESIGNATION	RAMC -018 J	RAMC -024 J	RAMC -030 J
FAN GROUP					
11		Capacitor - Compressor/Fan	See Compressor Group		
15	Stk	Fan Motor	51-100999-03	51-100999-03	51-100999-04
16	Stk	Fan Blade	70-21858-15	70-21858-15	70-21859-06

No.	Notes	MODEL COOLING CAPACITY ELECTRICAL DESIGNATION	RAMC -036 J	RAMC -042 J	RAMC -048 J	RAMC -060 J
FAN GROUP						
11		Capacitor - Compressor/Fan	See Compressor Group			
15	Stk	Fan Motor	51-100998-05	51-100998-05	51-100998-05	51-100998-05
16	Stk	Fan Blade	70-26166-01	70-26166-01	70-26166-01	70-23594-01

No.	Notes	MODEL COOLING CAPACITY ELECTRICAL DESIGNATION	RAMC -036 C	RAMC -042 C	RAMC -048 C	RAMC -060 C
FAN GROUP						
11		Capacitor - Fan Motor	43-100496-04	43-100496-04	43-100496-04	43-100496-04
15	Stk	Fan Motor	51-100998-05	51-100998-05	51-100998-05	51-100998-05
16	Stk	Fan Blade	70-26166-01	70-26166-01	70-26166-01	70-23594-01

No.	Notes	MODEL COOLING CAPACITY ELECTRICAL DESIGNATION	RAMC -018 J	RAMC -024 J	RAMC -030 J	RAMC -036 C/J
COIL GROUP						
8		Service Valve - Suction	See Panels - Miscellaneous			
9		Service Valve - Liquid	See Panels - Miscellaneous			
17	Stk	Condenser Coil	AS-59185-03	AS-59384-03	AS-59385-03	AS-59387-03
		Distributor w/out Header Tubes - 2 way (1/2 in. to 3/8 in.)	N/A	83-19988-01	83-19988-01	N/A
		Distributor w/out Header Tubes - 3 way (1/2 in. to 3/8 in.)	N/A	N/A	N/A	83-17467-06
		Distributor w/out Header Tubes - 3 way (3/8 in. to 3/8 in.)	N/A	N/A	N/A	83-17467-07
	Stk	Filter Drier (JAZ, CAZ)	83-22755-03	83-22755-03	83-22755-03	83-22755-03
	Stk	High Pressure Control (JAZ, CAZ)	47-21604-03	47-21604-03	47-21604-03	47-21604-03
	Stk	Low Pressure Control (JAZ, CAZ)	47-100543-01	47-100543-01	47-100543-01	47-100543-01

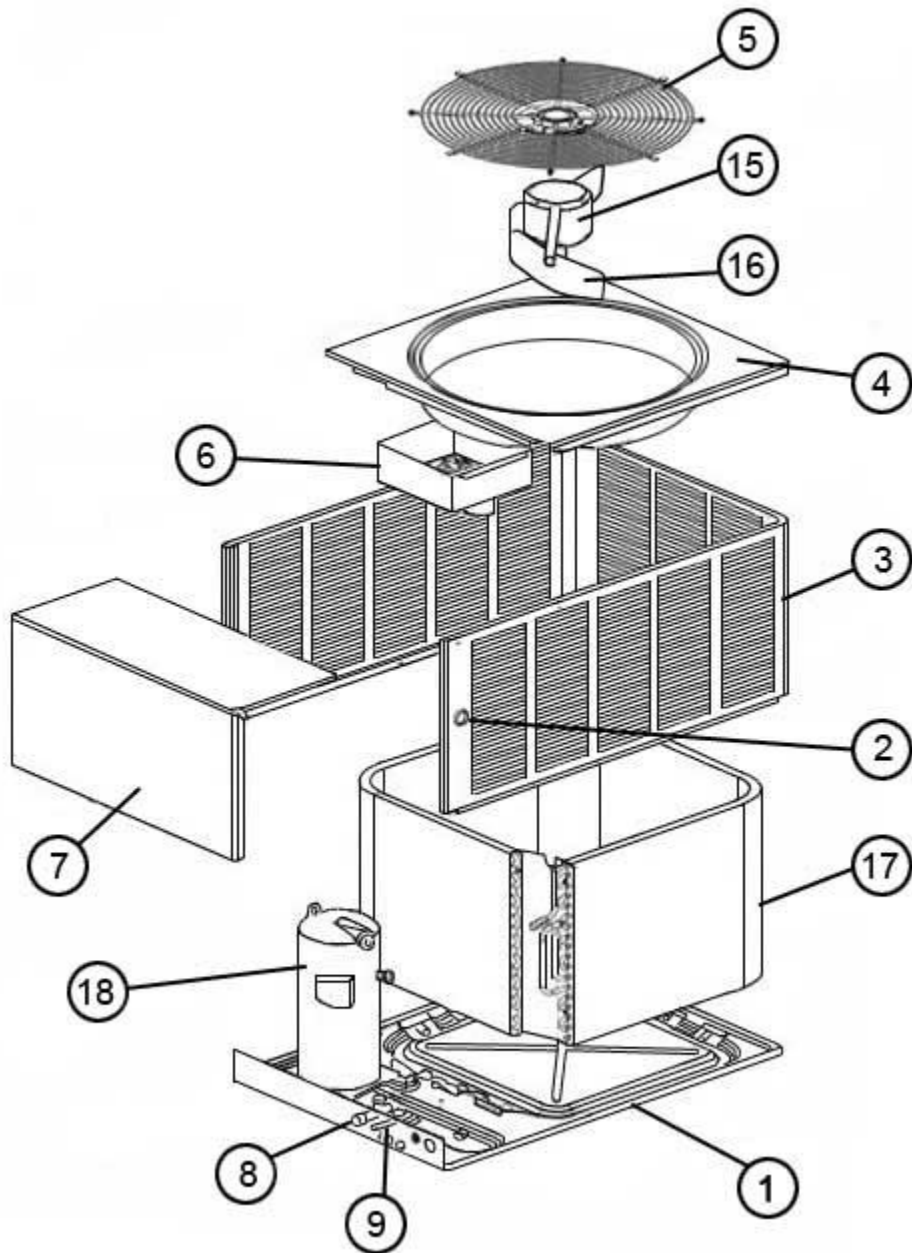
No.	Notes	MODEL COOLING CAPACITY ELECTRICAL DESIGNATION	RAMC -042 C/J	RAMC -048 C/J	RAMC -060 C/J	
COIL GROUP						
8		Service Valve - Suction	See Panels - Miscellaneous			
9		Service Valve - Liquid	See Panels - Miscellaneous			
17	Stk	Condenser Coil	AS-59388-03	AS-58369-01	AS-59429-01	
		Distributor w/out Header Tubes - 3 way (1/2 in. to 3/8 in.)	83-17467-06	83-17467-06	N/A	
		Distributor w/out Header Tubes - 3 way (3/8 in. to 3/8 in.)	83-17467-07	83-17467-07	83-17467-07	
	Stk	Filter Drier (JAZ, CAZ)	83-22755-06	83-22755-06	83-22755-06	
	Stk	High Pressure Control (JAZ, CAZ)	47-21604-03	47-21604-03	47-21604-03	
	Stk	Low Pressure Control (JAZ, CAZ)	47-100543-01	47-100543-01	47-100543-02	

No.	Notes	MODEL COOLING CAPACITY ELECTRICAL DESIGNATION	RAMC -018 JAZ/JBZ	RAMC -024 JAZ,JBZ	RAMC -030 JAZ/JBZ	RAMC -036 JAZ/JBZ	RAMC -042 JAZ/JBZ
COMPRESSOR GROUP							
		Compressor ID:	7253	7254	7255	7256	6975
11	Stk	Capacitor - Compressor/Fan	43-26261-03	43-26261-04	43-26271-34	43-26261-15	43-26261-17
18	Stk	Compressor	55-100835-30S	55-100835-07S	55-100835-08S	55-100835-09S	55-23139-62S
	Stk	Compressor Wiring Harness (Molded Plug)	45-100834-80	45-100834-80	45-100834-80	45-100834-80	N/A
		Compressor ID:	6971	6972	6973	6974	
11	Stk	Capacitor - Compressor/Fan	43-26261-03	43-26261-04	43-23204-34	43-26261-15	
18	Stk	Compressor	55-23155-01S	55-23155-03S	55-23139-46S	55-23139-52S	

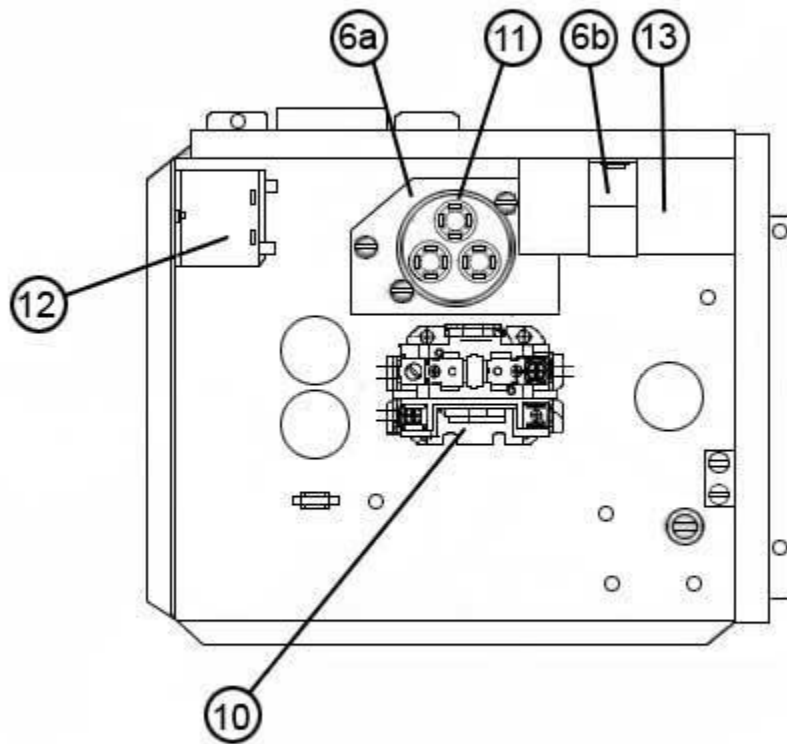
No.	Notes	MODEL COOLING CAPACITY ELECTRICAL DESIGNATION	RAMC -048 JAZ/JBZ	RAMC -060 JAZ/JBZ			
COMPRESSOR GROUP							
		Compressor ID:	6976	6977			
11	Stk	Capacitor - Compressor/Fan	43-26271-20	43-26271-29			
18	Stk	Compressor	55-23139-18S	55-23139-29			
12	Stk	Start Relay (JAZ)	42-18282-09	42-18282-09			
13	Stk	Start Capacitor (JAZ)	43-17075-04	43-17075-04			

No.	Notes	MODEL COOLING CAPACITY ELECTRICAL DESIGNATION	RAMC -036 C	RAMC -042 C	RAMC -048 C	RAMC -060 C	
COMPRESSOR GROUP							
		Compressor ID:	7016	7017	7018	7019	
11	Stk	Capacitor - Fan			See Fan Group		
18	Stk	Compressor	55-23139-53S	55-23139-63S	55-23140-40S	55-23139-30S	

No.	Notes	MODEL VARIATIONS	RAMC ALL
ACCESSORIES			
		Low Ambient Control	RXAD-A04
		Compressor Time Delay	RXMD-B01



Exploded View



Control Box Assembly

NOTES

Stk It is recommended that stock be maintained for this part.
N/A Not Applicable

DISCLAIMER: This document is intended to provide general replacement parts information to aid qualified service personnel in the repair of these models. The complete Model and Serial Number of the unit under repair should be specified when selecting and ordering replacement parts. Specifications and illustrations are subject to change without notice. Document 92-42800-RAMC supersedes all previous parts lists for these models. See <http://www.rheempartslists.net/92-42800-RAMC> for the latest revision of this document. The manufacturer assumes no obligation for errors or omissions. Service personnel must verify the proper and safe operation of equipment after the replacement of any original components.