



UKKA

Parts List
13-January-2017



*This parts list is current as of the above revision date.
See <http://www.rheempartslists.net/92-42801-UKKA.pdf> for the current revision.*

Package Gas-Electric - Commercial

Table of Contents

Model Explanation	Page 3
Parts Numbers	
Panels - Miscellaneous	Page 4
Electrical Group	Page 5
Fan Group	Page 6
Blower Group - Direct Drive	Page 7
Blower Group - Belt Drive (1)	Page 8
Blower Group - Belt Drive (2)	Page 9
Blower Support - Motor Mounts	Page 10
Blower Motor Group - Belt (1)	Page 11
Blower Motor Group - Belt (2)	Page 12
Coil Parts	Page 13
Compressor Group	Page 14
Heat Exchanger-Burner Group (1)	Page 16
Heat Exchanger-Burner Group (2)	Page 17
Gas Controls	Page 18
Accessories	Page 19
Orifice Selection Chart	Page 20
Drawings/Photographs	
Exploded View	Page 21
Control Box	Page 22
Blower Assembly Direct Drive	Page 22
Blower Assembly - Belt Drive	Page 23
Blower Mounting - Date Code F4897 or Before	Page 24
Blower Mounting - Date Codes F4897 - F4298	Page 24
Blower Mounting - Date Codes F4298 - F2004	Page 25
Blower Mounting - Date Code F2004 or After	Page 25
Coil Group Cut-away View	Page 26
Evaporator Coil - Filter Parts	Page 26
Freeze Stat Control - TXV	Page 27
Compressor - Refrigeration Group	Page 27
Heat Exchanger Assembly	Page 28
In-Shot Burner Assembly - Before F4708	Page 28
One Piece Burner Assembly - After F4708	Page 29
Grille Assembly (-085N) - See Note 5	Page 30
Notes	Page 31

MODEL NUMBER EXPLANATION

U	K	K	A	-	A	0	3	6	J	K	0	8	E	X	X	X
1	2	3	4		5		6		7	8		9	10		11	

- | | |
|---|--|
| <p>1 TRADEBRAND</p> <p>2 K = ROOFTOP - COMMERCIAL</p> <p>3 EFFICIENCY DESIGNATION
K = 10 SEER
M = 12 SEER</p> <p>4 DESIGN SERIES
A = 1ST DESIGN</p> <p>5 TECHNICAL VARIATIONS</p> <p>6 COOLING CAPACITY (BTU/HR)
036 = 36,000
042 = 42,000
048 = 48,000
060 = 60,000
072 = 72,000
073 = 72,000
085 = 85,000</p> | <p>7 ELECTRIC DESIGNATION
J = 208-230/1/60
C = 208-230/3/60
D = 460/3/60
N = 380-415/3/50
P = 200-220/3/50
Y = 575/3/60</p> <p>8 DRIVE PACKAGE
K = Direct Drive
L = Belt Drive
M = Belt Drive - High Static</p> <p>9 HEAT CAPACITY (MBH)
08 = 80,000
10 = 100,000
12 = 120,000
13 = 135,000</p> <p>10 IGNITION SYSTEM
E = Electric Ignition, Single Stage Gas Valve
X = Electric Ignition, Single Stage Gas Valve, NOX
T = Electric Ignition, Two-Stage Gas Valve</p> <p>11 OPTIONS</p> |
|---|--|

SERIAL NUMBER EXPLANATION

1	X	A	1	2	3	4	A	A	A	A	F	2	6	9	9	0	0	0	0	1
1	2		3			4	5	6	7	8		9		10					11	

- | | |
|---|---|
| <p>1 GAS CODE</p> <p>2 BLOWER CONTROL BOARD</p> <p>3 COMPRESSOR IDENTIFICATION NUMBER</p> <p>4 IGNITION DEVICE</p> <p>5 INDUCER BLOWER</p> | <p>6 HEAT EXCHANGER</p> <p>7 TECHNOLOGY VARIATIONS</p> <p>8 PRODUCTION LOCATION
F = Fort Smith, AR</p> <p>9 WEEK</p> <p>10 YEAR</p> <p>11 PRODUCTION NUMBER</p> |
|---|---|

No.	Notes	MODEL TECHNICAL VARIATION COOLING CAPACITY	UKKA- A 036-073	UKKA- A 085
PANELS, MISCELLANEOUS PARTS				
1		Base Rail - Side (2)	AE-58900-01	AE-58900-02
2		Base Rail - Condenser End	AE-58901-01	AE-58901-01
3		Base Rail - Evaporator End	AE-58902-01	AE-58902-01
4		Outdoor Coil Base Pan	AS-59051-01	AS-59051-01
5		Indoor Coil Base Pan	AS-58910-05	AS-58910-06
6		Condenser Bulkhead (Does not include Limit Baffle or Tube Support Angles)	AS-59126-02	AS-59126-03
98		Burner Compartment Floor	AE-58932-02	AE-58932-02
7		Condenser Bulkhead - (Does not include Limit Baffle or Tube Support Angles)	AS-59126-01	AS-59126-03
		Tube Support Angle - (Attached to the Condenser Bulkhead)	AE-59139-01	AE-59139-01
8		Blower Bulkhead (Does not include Tube Support Angle, Blower Extension, or Insulation Retainer)	AS-59130-01	AS-59130-01
		Tube Support Angle - (Small piece attached to the Blower Bulkhead)	AE-59139-02	AE-59139-02
9		Blower Extension - Front	AE-58928-01	AE-58928-01
10		Blower Extension - Back	AE-58928-02	AE-58928-02
		Insulation Retainer	AE-59059-01	AE-59059-01
11		Wire Chase	AS-58927-01	AS-58927-01
12		Corner Post (2)	AE-58965-01	AE-58965-01
14		Louvered Panel - Small	See Accessories Group	
15		Louvered Panel -Long	See Accessories Group	
16		Louvered Panel - Not used on sizes 036 or 042 (Square)	See Accessories Group	
17		Supply/Return Panels (2)	AS-58992-01	AS-58992-01
18		Rear Panel (Includes Insulation, Filler Panel, and Stripping)	AS-58976-01	AS-58976-02
19		Filler Panel	AE-58974-01	AE-58974-02
		Filler Panel Stripping	AE-58897-10	AE-58897-17
20		Blower/Filter Access Panels (2)	AS-58990-01	AS-58990-01
21		Post - Left End	AS-58973-01	AS-58973-01
22		Front Panel	AS-59132-01	AS-59132-05
23		Grommet	56-22114-06	56-22114-06
24		Heating Compartment Access Panel	AS-58988-02	AS-58988-02
25		Flue Hood	AS-58882-01	AS-58882-01
		Flue Hood Gasket	68-23680-03	68-23680-03
		Mounting Panel - External Disconnect	AE-59133-01	AE-59133-01
26		Compressor Access Panel	AE-58983-02	AE-58983-03
27		Power Entry Panel	AE-58968-03	AE-58968-04
28		Front Post	AE-58967-01	AE-58967-01
29		Indoor Coil Top Panel	AS-58979-01	AS-58979-02
30		Condenser Top Panel	AS-58982-01	AS-58982-01
31		Motor Mounting Plate	AE-58109-02	AE-58109-02
32		Wire Grille	95-22758-05	95-22758-05
32a		Screws - Wire Grille (on or after F0517) -See Note 5	N/A	63-100404-01
33		Wire Grille Cap	AE-58110-02	AE-58110-02
34		Control Box (w/o components)	AS-59039-01	AS-59039-01

No.	Notes	MODEL TECHNICAL VARIATION COOLING CAPACITY ELECTRICAL DESIGNATION	UKKA- A 036-048 J	UKKA- A 060 J	UKKA- A 036-085 C	UKKA- A 036-085 D	UKKA- A 036-085 N	UKKA- A 036-085 P	UKKA- A 036-085 Y
ELECTRIC GROUP									
CONTROL BOX COMPONENTS:									
39	Stk	Time Delay Relay	42-22756-01	42-22756-01	N/A	N/A	N/A	N/A	N/A
37		Integrated Furnace Control Board (IFC)	See Gas Controls						
38	Stk	Belt Drive Blower Contactor	42-40594-01	42-40594-01	42-40594-01	42-40594-01	42-40594-01	42-40594-01	42-40594-01
39		Compressor Time Delay	See Compressor Group						
40	Stk	Compressor Contactor	42-20044-01	42-42139-13	42-22464-01	42-22464-01	42-22464-01	42-22464-01	42-22464-01
41		Capacitor - Compressor/Fan	See Compressor Group						
		Capacitor Adapter Plate	See Fan Group						
42	Stk	Stepdown Transformer - "D" Voltage before F4802	N/A	N/A	N/A	46-23585-01	N/A	N/A	N/A
42	Stk	Stepdown Transformer - "N" Voltage before F4802	N/A	N/A	N/A	N/A	46-23585-02	N/A	46-23585-01
43	Stk	Transformer - Control (Before F4802)	46-18788-05	46-18788-05	46-18788-05	46-18788-05	46-18788-05	46-18788-05	46-18788-05
43	Stk	Transformer - Control (After F4802)	46-18788-05	46-18788-05	46-18788-05	46-23600-02	46-23115-06	46-18788-05	46-18788-05
44	Stk	Auxiliary Limit (Blower Extension)	47-17359-30	47-17359-30	47-17359-30	47-17359-30	47-17359-30	47-17359-30	47-17359-30
58		Blower Motor Capacitor - Direct Drive	See Blower Group						
45		Main Limit - (Condenser Bulkhead)	See Heat Exchanger / Burner Group						
97		Overtemperature Switch	See Heat Exchanger / Burner Group						
47	Stk	Pressure Switch	42-23564-04	42-23564-04	42-23564-04	42-23564-04	42-23564-01	42-23564-01	42-23564-04
Note: Induced Draft Blower 70-23641-01 is 230 V, and 70-23641-02 is 460 V. Verify original part before replacing.									
48	Stk	Inducer Blower Motor - Including Gasket (Before F4802)	70-23641-01	70-23641-01	70-23641-01	70-23641-01	70-23641-01	70-23641-01	70-23641-01
48	Stk	Inducer Blower Motor - Including Gasket (After F4802)	70-23641-01	70-23641-01	70-23641-01	70-23641-02	70-23641-02	70-23641-01	70-23641-01
		Relay - Inducer Blower Motor (After F4802)	N/A	N/A	N/A	42-19736-04	42-19736-04	N/A	N/A
49	Stk	Inducer Blower Motor Gasket	68-23643-01	68-23643-01	68-23643-01	68-23643-01	68-23643-01	68-23643-01	68-23643-01
STANDARD OR OPTIONAL CONTROLS:									
	Stk	Low Ambient Control	47-21465-03	47-21465-03	47-21465-03	47-21465-03	47-21465-03	47-21465-03	47-21465-03
50	Stk	Low Pressure Control	47-21466-03	47-21466-03	47-21466-03	47-21466-03	47-21466-03	47-21466-03	47-21466-03
51	Stk	High Pressure Control	47-21604-03	47-21604-03	47-21604-03	47-21604-03	47-21604-03	47-21604-03	47-21604-03
52	Stk	Freeze Stat-Size 1085 (2)	47-23683-01	47-23683-01	47-23683-01	47-23683-01	47-23683-01	47-23683-01	47-23683-01
	Stk	Disconnect Switch	N/A	N/A	42-41951-02	42-41951-05	N/A	N/A	N/A

No.	Notes	MODEL TECHNICAL VARIATION COOLING CAPACITY ELECTRICAL DESIGNATION	UKKA- A 085 C/P	UKKA- A 036-048 D/N	UKKA- A 060 D/N	UKKA- A 072/073 D/N	UKKA- A 085 D	UKKA- A 085 N
FAN GROUP								
35	Stk	Fan Motor (before F0517)	51-42179-01	51-23063-11	51-23063-11	51-21853-15	51-21853-15	51-21853-15
35	Stk	Fan Motor (on or after F0517)	51-42179-01	51-23063-11	51-23063-11	51-21853-15	51-21853-15	51-100998-12 (See Note 5)
41	Stk	Capacitor - Fan Motor	43-25134-04	43-25134-02	43-25134-02	43-25134-04	43-25134-04	43-100496-12
		Capacitor Adapter Plate	AE-54609-02	AE-54609-02	AE-54609-02	AE-54609-02	AE-54609-02	AE-54609-02
36	Stk	Fan Blade	70-19897-01	70-23137-01	70-23137-01	70-19897-01	70-19897-01	70-42484-01

No.	Notes	MODEL TECHNICAL VARIATION COOLING CAPACITY ELECTRICAL DESIGNATION	UKKA- A 036-048 J	UKKA- A 060 J	UKKA- A 036-048 C/P	UKKA- A 060 C/P	UKKA- A 072/073 C/P		
FAN GROUP									
35	Stk	Fan Motor	51-21854-10	51-21854-10	51-21854-10	51-21854-10	51-42179-01		
41		Capacitor - Fan/Compressor (Electrical Designation J)	See Compressor Group						
41	Stk	Capacitor - Fan Motor (Electrical Designation C/P)	N/A	N/A	43-25134-02	43-25134-02	43-25134-04		
		Capacitor Adapter Plate	N/A	N/A	AE-54609-02	AE-54609-02	AE-54609-02		
36	Stk	Fan Blade	70-23137-01	70-23137-01	70-23137-01	70-23137-01	70-19897-01		

No.	Notes	MODEL TECHNICAL VARIATION COOLING CAPACITY ELECTRICAL DESIGNATION	UKKA- A 036-048 Y	UKKA- A 060 Y	UKKA- A 072/073 Y	UKKA- A 085 Y		
FAN GROUP								
35	Stk	Fan Motor	51-42180-02	51-42180-02	51-42180-02	51-42180-02		
41	Stk	Capacitor - Fan Motor	43-25134-03	43-25134-03	43-25134-03	43-25134-03		
		Capacitor Adapter Plate	AE-54609-02	AE-54609-02	AE-54609-02	AE-54609-02		
36	Stk	Fan Blade	70-23137-01	70-23137-01	70-19897-01	70-19897-01		

No.	Notes	MODEL TECHNICAL VARIATION COOLING CAPACITY ELECTRIC DESIGNATION DRIVE PACKAGE	UKKA- A 036-048 J/C K	UKKA- A 060 J/C K	UKKA- A 036-048 D K	UKKA- A 060 D K
BLOWER GROUP - DIRECT DRIVE						
53	Stk	Blower Assembly - Direct Drive	AS-59050-03	AS-59050-06	AS-59050-09	AS-59050-11
54		Housing	AS-58944-01	AS-58944-01	AS-58944-01	AS-58944-01
55	Stk	Blower Wheel	70-23110-30	70-23110-30	70-23110-30	70-23110-30
56		Cut-Off	AE-64401-05	AE-64401-05	AE-64401-05	AE-64401-05
57	Stk	Blower Motor	51-23679-01	51-23555-02	51-23679-02	51-23555-03
58	Stk	Motor Capacitor	43-25134-04	43-25134-06	43-25134-04	43-25134-06
59		Motor Band	70-19927-01	70-19927-01	70-19927-01	70-19927-01
60		Motor Mounting Arm (3)	70-19929-02	70-19929-02	70-19929-02	70-19929-02
61		Blower Support	AE-58950-02	AE-58950-02	AE-58950-02	AE-58950-02

No.	Notes	MODEL TECHNICAL VARIATION COOLING CAPACITY ELECTRICAL DESIGNATION DRIVE PACKAGE	UKKA- A 036 C/D/Y L	UKKA- A 036 C/D/Y M	UKKA- A 036/042 N/P L	UKKA- A 042 C/D/Y L/M	UKKA- A 048 C/D/N/P/Y L	UKKA- A 048 C/D/Y M
BLOWER GROUP - BELT DRIVE (Before Date Code F2004)								
62	Stk	Blower Assembly (w/o Motor, Belt, and Sheaves)	AS-59056-13	AS-59056-14	AS-59056-14	AS-59056-13	AS-59056-14	AS-59056-15
63		Housing	AS-58944-01	AS-58944-01	AS-58944-01	AS-58944-01	AS-58944-01	AS-58944-01
64		Bearing Frame Tri-Arm (2)	70-41723-03	70-41723-03	70-41723-03	70-41723-03	70-41723-03	70-41723-03
65	Stk	Ball Bearing and Cushion (2)	70-41722-03	70-41722-03	70-41722-03	70-41722-03	70-41722-03	70-41722-03
66	Stk	Blower Shaft	70-21933-02	70-21933-02	70-21933-02	70-21933-02	70-21933-02	70-21933-02
67	Stk	Fixed Pitch Sheave	71-21932-04	71-21932-03	71-21932-03	71-21932-04	71-21932-03	71-21932-02
68		Blower Support - Left (Housing to Evaporator Coil)	AE-58950-02	AE-58950-02	AE-58950-02	AE-58950-02	AE-58950-02	AE-58950-02
69	Stk	Blower Wheel	70-23589-01	70-23589-01	70-23589-01	70-23589-01	70-23589-01	70-23589-01
70		Cut-Off Tabulation	AE-64401-05	AE-64401-05	AE-64401-05	AE-64401-05	AE-64401-05	AE-64401-05

No.	Notes	MODEL TECHNICAL VARIATION COOLING CAPACITY ELECTRICAL DESIGNATION DRIVE PACKAGE	UKKA- A 036 C/D/Y L	UKKA- A 036 C/D/Y M	UKKA- A 036/042 N/P L	UKKA- A 042 C/D/Y L/M	UKKA- A 048 C/D/N/P/Y L	UKKA- A 048 C/D/Y M
BLOWER GROUP - BELT DRIVE (After Date Code F2004)								
62	Stk	Blower Assembly (w/o Motor, Belt, and Sheaves)	AS-101336-01	AS-101336-05	AS-101336-05	AS-101336-01	AS-101336-05	AS-101336-04
63		Housing	AS-101341-01	AS-101341-01	AS-101341-01	AS-101341-01	AS-101341-01	AS-101341-01
64		Bearing Frame Tri-Arm (2)	70-41723-03	70-41723-03	70-41723-03	70-41723-03	70-41723-03	70-41723-03
65	Stk	Ball Bearing and Cushion (2)	70-41911-01	70-41911-01	70-41911-01	70-41911-01	70-41911-01	70-41911-01
66	Stk	Blower Shaft	70-21933-02	70-21933-02	70-21933-02	70-21933-02	70-21933-02	70-21933-02
67	Stk	Fixed Pitch Sheave	71-21932-04	71-21932-03	71-21932-03	71-21932-04	71-21932-03	71-21932-02
68		Blower Support - Left (Housing to Evaporator Coil)	AE-58950-02	AE-58950-02	AE-58950-02	AE-58950-02	AE-58950-02	AE-58950-02
69	Stk	Blower Wheel	70-23589-01	70-23589-01	70-23589-01	70-23589-01	70-23589-01	70-23589-01
70		Cut-Off Tabulation	AE-64401-05	AE-64401-05	AE-64401-05	AE-64401-05	AE-64401-05	AE-64401-05

No.	Notes	MODEL TECHNICAL VARIATION COOLING CAPACITY ELECTRICAL DESIGNATION DRIVE PACKAGE	UKKA- A 060 C/D/N/P/Y L	UKKA- A 060 C/D/Y M	UKKA- A 072 C/D/N/P/Y L	UKKA- A 072 C/D/Y M	UKKA- A 073 C/D/N/P/Y L	UKKA- A 073 C/D/Y M
BLOWER GROUP - BELT DRIVE (Before Date Code F2004)								
62	Stk	Blower Assembly (w/o Motor, Belt, and Sheaves)	AS-59056-14	AS-59056-14	AS-59056-12	AS-59056-12	AS-59056-12	AS-59056-12
63		Housing	AS-58944-01	AS-58944-01	AS-58948-01	AS-58948-01	AS-58948-01	AS-58948-01
64		Bearing Frame Tri-Arm (2)	70-41723-03	70-41723-03	70-41723-02	70-41723-02	70-41723-02	70-41723-02
65	Stk	Ball Bearing and Cushion (2)	70-41722-03	70-41722-03	70-41722-03	70-41722-03	70-41722-03	70-41722-03
66	Stk	Blower Shaft	70-21933-02	70-21933-02	70-21933-02	70-21933-02	70-21933-02	70-21933-02
67	Stk	Fixed Pitch Sheave	71-21932-03	71-21932-03	71-21932-03	71-21932-03	71-21932-03	71-21932-03
68		Blower Support - Left (Housing to Evaporator Coil)	AE-58950-02	AE-58950-02	AE-58950-02	AE-58950-02	AE-58950-02	AE-58950-02
69	Stk	Blower Wheel	70-23589-01	70-23589-01	70-21773-01	70-21773-01	70-21773-01	70-21773-01
70		Cut-Off Tabulation	AE-64401-05	AE-64401-05	AE-64401-18	AE-64401-18	AE-64401-18	AE-64401-18

No.	Notes	MODEL TECHNICAL VARIATION COOLING CAPACITY ELECTRICAL DESIGNATION DRIVE PACKAGE					UKKA- A 085 C/D/N/P/Y L	UKKA- A 085 C/D/N/P/Y M
BLOWER GROUP - BELT DRIVE (Before Date Code F2004)								
62	Stk	Blower Assembly (w/o Motor, Belt, and Sheaves)					AS-59056-06	AS-59056-07
63		Housing					AS-58948-01	AS-58948-01
64		Bearing Frame Tri-Arm (2)					70-41723-02	70-41723-02
65	Stk	Ball Bearing and Cushion (2)					70-41722-04	70-41722-04
66	Stk	Blower Shaft					70-21933-02	70-21933-02
67	Stk	Fixed Pitch Sheave					71-21932-03	71-21932-02
68		Blower Support - Left (Housing to Evaporator Coil)					AE-58950-03	AE-58950-03
69	Stk	Blower Wheel					70-21773-01	70-21773-01
70		Cut-Off Tabulation					AE-64401-18	AE-64401-18

No.	Notes	MODEL TECHNICAL VARIATION COOLING CAPACITY ELECTRICAL DESIGNATION DRIVE PACKAGE	UKKA- A 060 C/D/N/P/Y L	UKKA- A 060 C/D/Y M	UKKA- A 072 C/D/N/P/Y L	UKKA- A 072 C/D/Y M	UKKA- A 073 C/D/N/P/Y L	UKKA- A 073 C/D/Y M
BLOWER GROUP - BELT DRIVE (After Date Code F2004)								
62	Stk	Blower Assembly (w/o Motor, Belt, and Sheaves)	AS-101336-05	AS-101336-05	AS-101336-03	AS-101336-03	AS-101336-02	AS-101336-02
63		Housing	AS-101341-01	AS-101341-01	AS-101342-01	AS-101342-01	AS-101342-01	AS-101342-01
64		Bearing Frame Tri-Arm (2)	70-41723-03	70-41723-03	70-41723-02	70-41723-02	70-41723-02	70-41723-02
65	Stk	Ball Bearing and Cushion (2)	70-41911-01	70-41911-01	70-41911-01	70-41911-01	70-41911-01	70-41911-01
66	Stk	Blower Shaft	70-21933-02	70-21933-02	70-21933-02	70-21933-02	70-21933-02	70-21933-02
67	Stk	Fixed Pitch Sheave	71-21932-03	71-21932-03	71-21932-03	71-21932-03	71-21932-03	71-21932-03
68		Blower Support - Left (Housing to Evaporator Coil)	AE-58950-02	AE-58950-02	AE-58950-03	AE-58950-03	AE-58950-02	AE-58950-02
69	Stk	Blower Wheel	70-23589-01	70-23589-01	70-21773-01	70-21773-01	70-21773-01	70-21773-01
70		Cut-Off Tabulation	AE-64401-05	AE-64401-05	AE-64401-18	AE-64401-18	AE-64401-18	AE-64401-18

No.	Notes	MODEL TECHNICAL VARIATION COOLING CAPACITY ELECTRICAL DESIGNATION DRIVE PACKAGE					UKKA- A 085 C/D/N/P/Y L	UKKA- A 085 C/D/N/P/Y M
BLOWER GROUP - BELT DRIVE (After Date Code F2004)								
62	Stk	Blower Assembly (w/o Motor, Belt, and Sheaves)					AS-101336-03	AS-101336-06
63		Housing					AS-101342-01	AS-101342-01
64		Bearing Frame Tri-Arm (2)					70-41723-02	70-41723-02
65	Stk	Ball Bearing and Cushion (2)					70-41911-01	70-41911-01
66	Stk	Blower Shaft					70-21933-02	70-21933-02
67	Stk	Fixed Pitch Sheave					71-21932-03	71-21932-02
68		Blower Support - Left (Housing to Evaporator Coil)					AE-58950-03	AE-58950-03
69	Stk	Blower Wheel					70-21773-01	70-21773-01
70		Cut-Off Tabulation					AE-64401-18	AE-64401-18

No.	Notes	MODEL TECHNICAL VARIATIONS				UKKA- ALL
BLOWER MOTOR MOUNTING - BELT DRIVE (Approximate Date Code Before F4897)						
71		MOTOR MOUNTING WITHOUT GROMMETS:				
71A		Right Blower Support				AE-59060-01
71B		Motor Mounting Assembly				AS-59058-01
71C		Motor Mounting Base				AE-59052-01
71D		Motor Mounting Top				AS-59054-01
71E		Tread Plate				63-23587-01
71F		Bolt - Motor Adjustment				63-19919-06

No.	Notes	MODEL TECHNICAL VARIATIONS				UKKA- ALL
BLOWER MOTOR MOUNTING - BELT DRIVE (Approximate Date Codes F4897 - F4298)						
72		MOTOR MOUNTING WITH (6) GROMMETS:				
72A		Right Blower Support				AE-59060-01
72B		Motor Mounting Assembly				AS-59058-02
		Motor Support Channel				AE-59341-01
72C		Motor Adjusting Plate				AE-59052-02
72D		Motor Mounting Top				AS-59054-01
72E		Treaded Plate				63-23587-01
72F		Motor Adjustment Bracket				AE-59340-01
72G		Bolt - Motor Adjustment				63-19919-06
		Lock Nut - Motor Adjustment Bolt				63-18517-08
		Flat Washer - Motor Adjustment Bolt				63-17180-16
		Grommet (6)				56-18518-04
		Bolts (6)				63-20072-03

No.	Notes	MODEL TECHNICAL VARIATIONS				UKKA- ALL
BLOWER MOTOR MOUNTING - BELT DRIVE (Approximate Date Codes F4298 - F2004)						
73		MOTOR MOUNTING WITH (4) GROMMETS:				
73A		Right Blower Support				AE-59060-02
73B		Right Blower Support Bracket				AE-59174-01
73C		Motor Mounting Assembly				AS-59058-03
73D		Motor Mounting Base				AE-59052-03
73E		Motor Mounting Top				AS-59054-01
73F		Threaded Plate				63-23587-01
73G		Grommet (4)				56-18518-04
73H		Bolt - Motor Adjustment				63-19919-06
		Lock Nut - Motor Adjustment Bolt (2)				63-18517-08
		Flat Washer - Motor Adjustment Bolt (2)				63-17180-16

No.	Notes	MODEL TECHNICAL VARIATION COOLING CAPACITY ELECTRICAL DESIGNATION DRIVE PACKAGE	UKKA- A 036-060 C/D/N/P/Y L	UKKA- A 036/042/060 C/D/Y M	UKKA- A 048 C/D/Y M	UKKA- A 072/073/085 C/D/N/P/Y L/M
BLOWER MOTOR MOUNTING - BELT DRIVE (Approximate Date Code, On or After F2004)						
110		Blower Bracket	AE-101124-01	AE-101124-01	AE-101124-05	AE-101124-05
111		Blower Bracket - Drive Side	AE-101124-04	AE-101124-04	AE-101124-03	AE-101124-03
112		Grommet	56-18518-04	56-18518-04	56-18518-04	56-18518-04
113		Cross Brace	AE-101467-01	AE-101467-01	AE-101467-01	AE-101467-01
114		Motor Mount Assembly	AS-101340-01	AS-101340-01	AS-101340-01	AS-101340-01

No.	Notes	MODEL TECHNICAL VARIATION COOLING CAPACITY ELECTRICAL DESIGNATION DRIVE PACKAGE	UKKA- A 036 C/D L	UKKA- A 042 C/D L	UKKA- A 048 C/D L	UKKA- A 060 C/D L	UKKA- A 072 C/D L	UKKA- A 073 C/D L	UKKA- A 085 C/D L
BLOWER MOTOR GROUP - BELT DRIVE (Before Date Code F2004)									
74	Stk	Blower Motor	51-21911-01	51-21911-01	51-21911-01	51-21912-01	51-41936-02	51-41936-02	51-41936-02
75	Stk	Variable Pitch Sheave	71-40427-30	71-40427-29	71-40427-29	71-40427-29	71-40427-29	71-40427-25	71-40427-25
76	Stk	Belt - Before F2796	71-40235-40	71-40235-41	71-40235-39	71-40235-39	71-40235-41	N/A	N/A
76	Stk	Belt - After F2796	71-40235-40	71-40235-40	71-40235-40	71-40235-40	71-40235-40	71-40235-40	71-40235-40

No.	Notes	MODEL TECHNICAL VARIATION COOLING CAPACITY ELECTRICAL DESIGNATION DRIVE PACKAGE	UKKA- A 036 C/D L	UKKA- A 042 C/D L	UKKA- A 048 C/D L	UKKA- A 060 C/D L	UKKA- A 072 C/D L	UKKA- A 073 C/D L	UKKA- A 085 C/D L
BLOWER MOTOR GROUP - BELT DRIVE (On or After Date Code F2004)									
74	Stk	Blower Motor	51-21911-01	51-21911-01	51-21911-01	51-21912-01	51-41936-02	51-41936-02	51-41936-02
75	Stk	Variable Pitch Sheave	71-40427-30	71-40427-29	71-40427-29	71-40427-29	71-40427-29	71-40427-29	71-40427-29
76	Stk	Belt	71-40235-43	71-40235-43	71-40235-42	71-40235-42	71-40235-42	71-40235-42	71-40235-42

No.	Notes	MODEL TECHNICAL VARIATION COOLING CAPACITY ELECTRICAL DESIGNATION DRIVE PACKAGE	UKKA- A 036 C/D M	UKKA- A 042 C/D M	UKKA- A 048 C/D M	UKKA- A 060 C/D M	UKKA- A 072 C/D M	UKKA- A 073 C/D M	UKKA- A 085 C/D M
BLOWER MOTOR GROUP - BELT DRIVE (Before Date Code F2004)									
74	Stk	Blower Motor	51-21911-01	51-21911-01	51-21912-01	51-41936-01	51-41936-02	51-41936-02	51-41936-02
75	Stk	Variable Pitch Sheave	71-40427-25	71-40427-43	71-40427-25	71-40427-43	71-40427-25	71-40427-25	71-40427-25
76	Stk	Belt - Before F2796	71-40235-40	71-40235-42	71-40235-39	71-40235-40	71-40235-42	N/A	N/A
76	Stk	Belt - After F2796	71-40235-40	71-40235-43	71-40235-40	71-40235-42	71-40235-40	71-40235-40	71-40235-39

No.	Notes	MODEL TECHNICAL VARIATION COOLING CAPACITY ELECTRICAL DESIGNATION DRIVE PACKAGE	UKKA- A 036 C/D M	UKKA- A 042 C/D M	UKKA- A 048 C/D M	UKKA- A 060 C/D M	UKKA- A 072 C/D M	UKKA- A 073 C/D M	UKKA- A 085 C/D M
BLOWER MOTOR GROUP - BELT DRIVE (On or After Date Code F2004)									
74	Stk	Blower Motor	51-21911-01	51-21911-01	51-21912-01	51-41936-01	51-41936-02	51-41936-02	51-41936-02
75	Stk	Variable Pitch Sheave	71-40427-25	71-40427-43	71-40427-25	71-40427-43	71-40427-25	71-40427-25	71-40427-25
76	Stk	Belt	71-40235-43	71-40235-44	71-40235-42	71-40235-44	71-40235-43	71-40235-43	71-40235-42

No.	Notes	MODEL TECHNICAL VARIATION COOLING CAPACITY ELECTRICAL DESIGNATION DRIVE PACKAGE	UKKA- A 036 N/P L	UKKA- A 042 N/P L	UKKA- A 048 N/P L	UKKA- A 060 N/P L	UKKA- A 072 N/P L	UKKA- A 073 N/P L	UKKA- A 085 N/P L
BLOWER MOTOR GROUP - BELT DRIVE (Before Date Code F2004)									
74	Stk	Blower Motor	51-21912-01	51-21912-01	51-21912-01	51-41936-01	51-41936-02	51-41936-02	51-41936-02
75	Stk	Variable Pitch Sheave	71-40427-29	71-40427-29	71-40427-25	71-40427-25	71-40427-25	71-40427-25	71-40427-25
76	Stk	Belt - Before F2796	71-40235-39	71-40235-39	71-40235-39	71-40235-40	71-40235-41	N/A	N/A
76	Stk	Belt - After F2796	71-40235-40	71-40235-40	71-40235-40	71-40235-40	71-40235-40	71-40235-40	71-40235-40

No.	Notes	MODEL TECHNICAL VARIATION COOLING CAPACITY ELECTRICAL DESIGNATION DRIVE PACKAGE	UKKA- A 036 N/P L	UKKA- A 042 N/P L	UKKA- A 048 N/P L	UKKA- A 060 N/P L	UKKA- A 072 N/P L	UKKA- A 073 N/P L	UKKA- A 085 N/P L
BLOWER MOTOR GROUP - BELT DRIVE (On or After Date Code F2004)									
74	Stk	Blower Motor	51-21912-01	51-21912-01	51-21912-01	51-41936-01	51-41936-02	51-41936-02	51-41936-02
75	Stk	Variable Pitch Sheave	71-40427-29	71-40427-29	71-40427-25	71-40427-25	71-40427-25	71-40427-25	71-40427-25
76	Stk	Belt	71-40235-42	71-40235-42	71-40235-43	71-40235-43	71-40235-43	71-40235-43	71-40235-43

No.	Notes	MODEL TECHNICAL VARIATION COOLING CAPACITY ELECTRICAL DESIGNATION DRIVE PACKAGE	UKKA- A 036 Y L	UKKA- A 042 Y L	UKKA- A 048 Y L	UKKA- A 060 Y L	UKKA- A 072 Y L	UKKA- A 073 Y L	UKKA- A 085 Y L
BLOWER MOTOR GROUP - BELT DRIVE (Before Date Code F2004)									
74	Stk	Blower Motor	51-22241-02	51-22241-02	51-22241-02	51-22241-02	51-42177-10	51-42177-10	51-42177-10
75	Stk	Variable Pitch Sheave	71-40427-30	71-40427-30	71-40427-29	71-40427-29	71-40427-29	71-40427-29	71-40427-25
76	Stk	Belt - Before F4298	71-40235-40	71-40235-41	71-40235-39	71-40235-39	71-40235-41	N/A	N/A
76	Stk	Belt - After F4298	71-40235-40	71-40235-40	71-40235-40	71-40235-40	71-40235-40	71-40235-40	71-40235-40

No.	Notes	MODEL TECHNICAL VARIATION COOLING CAPACITY ELECTRICAL DESIGNATION DRIVE PACKAGE	UKKA- A 036 Y L	UKKA- A 042 Y L	UKKA- A 048 Y L	UKKA- A 060 Y L	UKKA- A 072 Y L	UKKA- A 073 Y L	UKKA- A 085 Y L
BLOWER MOTOR GROUP - BELT DRIVE (On or After Date Code F2004)									
74	Stk	Blower Motor	51-22241-02	51-22241-02	51-22241-02	51-22241-02	51-42177-10	51-42177-10	51-42177-10
75	Stk	Variable Pitch Sheave	71-40427-30	71-40427-29	71-40427-29	71-40427-29	71-40427-29	71-40427-29	71-40427-25
76	Stk	Belt	71-40235-43	71-40235-43	71-40235-42	71-40235-42	71-40235-42	71-40235-42	71-40235-43

No.	Notes	MODEL TECHNICAL VARIATION COOLING CAPACITY ELECTRICAL DESIGNATION DRIVE PACKAGE	UKKA- A 036 Y M	UKKA- A 048 Y M	UKKA- A 060 Y M	UKKA- A 072 Y M	UKKA- A 073 Y M	UKKA- A 085 Y M	UKKA- A 085 N M
BLOWER MOTOR GROUP - BELT DRIVE (Before Date Code F2004)									
74	Stk	Blower Motor	51-22241-02	51-22241-02	51-22241-01	51-42177-10	51-42177-10	51-42177-10	51-41936-02
75	Stk	Variable Pitch Sheave	71-40427-25	71-40427-25	71-40427-25	71-40427-43	71-40427-25	71-40427-25	71-40427-25
76	Stk	Belt - Before F3698	N/A	N/A	N/A	N/A	N/A	N/A	N/A
76	Stk	Belt - Date Codes F3698 to F4498	N/A	71-40235-39	71-40235-39	71-40235-40	71-40235-42	N/A	N/A
76	Stk	Belt - After F4498	71-40235-40	71-40235-40	71-40235-40	71-40235-42	71-40235-40	71-40235-40	71-40235-38

No.	Notes	MODEL TECHNICAL VARIATION COOLING CAPACITY ELECTRICAL DESIGNATION DRIVE PACKAGE	UKKA- A 036 Y M	UKKA- A 048 Y M	UKKA- A 060 Y M	UKKA- A 072 Y M	UKKA- A 073 Y M	UKKA- A 085 Y M	UKKA- A 085 N M
BLOWER MOTOR GROUP - BELT DRIVE (On or After Date Code F2004)									
74	Stk	Blower Motor	51-22241-02	51-22241-02	51-22241-01	51-42177-10	51-42177-10	51-42177-10	51-41936-02
75	Stk	Variable Pitch Sheave	71-40427-25	71-40427-25	71-40427-43	71-40427-25	71-40427-25	71-40427-25	71-40427-25
76	Stk	Belt	71-40235-43	71-40235-42	71-40235-44	71-40235-43	71-40235-43	71-40235-42	71-40235-42

No.	Notes	MODEL TECHNICAL VARIATION COOLING CAPACITY	UKKA- A 036	UKKA- A 042	UKKA- A 048	UKKA- A 060	UKKA- A 072	UKKA- A 073	UKKA- A 085
COIL GROUP									
EVAPORATOR COIL:									
77	Stk	Evaporator Coil - Before F2104 (Includes Metering Devices and Top Air Stop)	AS-59070-01	AS-59070-02	AS-59070-02	AS-59070-03	AS-59070-04	AS-59070-17	AS-59070-15
	Stk	Evaporator Coil - After F2104 (Includes Metering Devices and Top Air Stop)	AS-59070-01	AS-59070-02	AS-59070-02	AS-59070-18	AS-59070-04	AS-59070-17	AS-59070-15
	4	Captube Assembly - Before F2104	AS-59031-05	AS-59031-06	AS-59031-06	AS-59031-01 See Note 4	N/A	83-100632-15 (2)	83-100632-15 (2)
	4	Captube Assembly - After F2104	AS-59031-05	AS-59031-06	AS-59031-06	AS-59031-15 See Note 4	N/A	83-100632-15 (2)	83-100632-15 (2)
78	Stk	TXV	N/A	N/A	N/A	N/A	61-21922-63	N/A	N/A
79		TXV Distributor	N/A	N/A	N/A	N/A	83-21364-04	N/A	N/A
80		Top Air Stop	AE-58933-01	AE-58933-01	AE-58933-01	AE-58933-01	AE-58933-01	AE-58933-01	AE-58933-02
81		Top Coil Support	AE-58941-01	AE-58941-01	AE-58941-01	AE-58941-01	AE-58941-01	AE-58941-01	AE-58941-01
82		Filter Channels (3) (Center is two Channels back-to-back)	AE-58934-01	AE-58934-01	AE-58934-01	AE-58934-01	AE-58934-01	AE-58934-01	AE-58934-03
6		Filter Keeper	AE-59168-01	AE-59168-01	AE-59168-01	AE-59168-01	AE-59168-01	AE-59168-01	AE-59168-01
83	Stk	Drain Pan - Indoor Coil	68-23559-01	68-23559-01	68-23559-01	68-23559-01	68-23559-01	68-23559-01	68-23559-02
CONDENSER COIL:									
84	Stk	Condenser Coil	AS-59071-01	AS-59071-01	AS-59073-01	AS-58961-01	AS-58964-01	AS-58964-01	AS-59290-01
85		Filter - Disposable	54-17531-10	54-17531-10	54-17531-10	54-17531-10	54-17531-10	54-17531-10	54-17531-24
109	Stk	Filter Drier	N/A	N/A	N/A	N/A	83-22755-05	N/A	N/A

No.	Notes	MODEL TECHNICAL VARIATION COOLING CAPACITY ELECTRICAL DESIGNATION	UKKA-A 036 J	UKKA-A 042 J	UKKA-A 048 J	UKKA-A 060 J	UKKA-A 036 C	UKKA-A 042 C	UKKA-A 048 C
COMPRESSOR GROUP									
		Compressor ID:	5631	5634	5638	5642	5620	5635	5639
86	Stk	Compressor	55-23139-62S	55-23139-25S	55-23139-37S	55-23139-33S	55-23139-63S	55-23139-26S	55-23139-38S
41	Stk	Capacitor - Compressor/Fan	43-23204-17	43-23204-19	43-23204-19	43-23204-29	N/A	N/A	N/A
		Compressor ID:	5288	5292	5296	5300	5289	5293	5297
86	Stk	Compressor	55-21737-62	55-21737-25S	55-21737-37S	55-21737-33S	55-21737-63S	55-21737-26S	55-21737-38S
41	Stk	Capacitor - Compressor/Fan	43-23204-17	43-23204-19	43-23204-19	43-23204-29	N/A	N/A	N/A
		Compressor ID:		6872	6855			6870	6851
86	Stk	Compressor		55-23140-31S	55-23140-77			55-23139-71S	55-23140-74
41	Stk	Capacitor - Compressor/Fan		43-23204-19	43-23204-19			N/A	N/A

No.	Notes	MODEL TECHNICAL VARIATION COOLING CAPACITY ELECTRICAL DESIGNATION	UKKA-A 060 C	UKKA-A 072 C	UKKA-A 073 C	UKKA-A 085 C	UKKA-A 036 D	UKKA-A 042 D	UKKA-A 048 D
COMPRESSOR GROUP									
		Compressor ID:	5643	5304	6594	6219	5632	5636	5640
86	Stk	Compressor	55-23139-34S (1)	55-23141-43S (1)	55-23141-43S (1)	55-23139-71S (2)	55-23139-64S (1)	55-23139-27S (1)	55-23139-39S (1)
		Compressor ID:	5302			6216	5290	5294	5298
86	Stk	Compressor	55-21737-34S (1)			55-21737-71 (2)	55-21737-64S (1)	55-21737-27S (1)	55-21737-39S (1)
		Compressor ID:						6871	6853
								55-23139-72 (1)	55-23140-75 (1)

No.	Notes	MODEL TECHNICAL VARIATION COOLING CAPACITY ELECTRICAL DESIGNATION	UKKA-A 060 D	UKKA-A 072 D	UKKA-A 073 D	UKKA-A 085 D	UKKA-A 036 N	UKKA-A 042 N	UKKA-A 048 N
COMPRESSOR GROUP									
		Compressor ID:	5644	5305	6595	6220	5823	5827	5831
86	Stk	Compressor	55-23139-35S (1)	55-23141-44S (1)	55-23141-44S (1)	55-23139-72S (2)	55-21737-64S (1)	55-21737-27S (1)	55-21737-39S (1)
		Compressor ID:	5301			6217	5824	5828	5832
86	Stk	Compressor	55-21737-35S (1)			55-21737-72 (2)	55-23139-64S (1)	55-23139-27S (1)	55-23139-39S (1)
		Compressor ID:						6873	6857
86	Stk	Compressor						55-23139-72S (1)	55-23140-75 (1)

No.	Notes	MODEL TECHNICAL VARIATION COOLING CAPACITY ELECTRICAL DESIGNATION	UKKA-A 060 N	UKKA-A 072 N	UKKA-A 073 N	UKKA-A 085 N	UKKA-A 036 P		
COMPRESSOR GROUP									
		Compressor ID:	5835	5838	6598	6245	5821		
86	Stk	Compressor	55-21737-35S (1)	55-23141-44S (1)	55-23141-44S (1)	55-21737-72 (2)	55-21737-63S (1)		
		Compressor ID:	5836			6247	5822		
86	Stk	Compressor	55-23139-35S (1)			55-23139-72S (2)	55-23139-63S (1)		
		Compressor ID:				8446			
86	Stk	Compressor				55-102045-79S (2)			
		Compressor ID:				8993			
86	Stk	Compressor				55-102045-113 (2)			

No.	Notes	MODEL TECHNICAL VARIATION COOLING CAPACITY ELECTRICAL DESIGNATION	UKKA-A 036 Y	UKKA-A 042 Y	UKKA-A 048 Y	UKKA-A 060 Y	UKKA-A 072 Y	UKKA-A 073 Y	UKKA-A 085 Y
COMPRESSOR GROUP									
		Compressor ID:	5633	5637	5641	5645	5306	6596	6221
86	Stk	Compressor	55-23139-65S (1)	55-23139-28S (1)	55-23139-40S (1)	55-23139-36S (1)	55-23141-45S (1)	55-23141-45S (1)	55-23139-82S (2)
		Compressor ID:	5291	5295	5299	5303			6218

86	Stk	Compressor	55-21737-65S (1)	55-21737-28S (1)	55-21737-40S (1)	55-21737-36S (1)			55-21737-82S (2)
		Compressor ID:		6875	6861				
				55-23139-82S	55-23140-76				

No.	Notes	MODEL TECHNICAL VARIATION HEATING CAPACITY	UKKA- A 07	UKKA- A 08	UKKA- A 09	UKKA- A 10	UKKA- A 11	UKKA- A 12	UKKA- A 13
HEAT EXCHANGER, BURNER / MANIFOLD									
45		MAIN LIMIT (ON CONDENSER BULKHEAD):							
45	Stk	Electric (E), L07E	47-23610-25						
45	Stk	Electric (E), K08E, L08E, M08E, DK08E		47-23610-19					
45	Stk	Electric (E), L09E			47-23610-25				
45	Stk	Electric (E), L10E, M10E, DK10E				47-23610-19			
45	Stk	Electric (E), K10E				47-23610-21			
45	Stk	Electric (E), L11E					47-23610-19		
45	Stk	Electric (E), M12E, DK12E						47-23610-21	
45	Stk	Electric (E), CK12E						47-23610-27	
45	Stk	Electric (E), K13E, L13E, M13E, DK13E							47-23610-19
45	Stk	Electric (E), 085?L11E, 085?M11E					47-23610-17		
45	Stk	Electric (E), 085?L13E, 085?M13E							47-23610-17
45	Stk	NOX Electric (X), K08X, L08X, M08X, DK08X		47-23610-23					
45	Stk	NOX Electric (X), L10X, M10X, DK10X				47-23610-21			
45	Stk	NOX Electric (X), K10X				47-23610-25			
45	Stk	NOX Electric (X), K12X						47-23610-29	
45	Stk	NOX Electric (X), L12X, M12X, DK12X						47-23610-27	
45	Stk	NOX Electric (X), K13X, L13X, M13X, DK13X							47-23610-19
45	Stk	Electric (T), 085?L13T, 085?M13T							47-23610-09
46		Main Limit Shield	AS-59152-01	AS-59152-01	AS-59152-01	AS-59152-01	AS-59152-01	AS-59152-01	AS-59152-01
87	Stk	Heat Exchanger (Includes Center Panel)	AS-59066-01	AS-59066-01	AS-59066-02	AS-59066-05	AS-59066-04	AS-59066-04	AS-59066-04
88		Turbulators	N/A	AE-58922-01 (4)	N/A	AE-58922-01 (5)	N/A	AE-58922-01 (6)	AE-58922-01 (6)
89		NOX Inserts	N/A	75-23684-01 (4)	N/A	75-23684-01 (5)	N/A	75-23684-01 (6)	75-23684-01 (6)

No.	Notes	MODEL TECHNICAL VARIATION HEATING CAPACITY	UKKA- A 07	UKKA- A 08	UKKA- A 09	UKKA- A 10	UKKA- A 11	UKKA- A 12	UKKA- A 13
HEAT EXCHANGER, BURNER / MANIFOLD									
90	Stk	Divider Plate Gasket	68-23680-02	68-23680-02	68-23680-02	68-23680-02	68-23680-02	68-23680-02	68-23680-02
91		Divider Plate	AE-59067-01	AE-59067-01	AE-59067-01	AE-59067-01	AE-59067-01	AE-59067-01	AE-59067-01
92	Stk	Collector Box Gasket	68-23680-01	68-23680-01	68-23680-01	68-23680-01	68-23680-01	68-23680-01	68-23680-01
93		Collector Box Cover	AE-59068-04	AE-59068-01	AE-59068-02	AE-59068-02	AE-59068-05	AE-59068-06	AE-59068-03
94	Stk	Flue Duct	75-23678-01	75-23678-01	75-23678-01	75-23678-01	75-23678-01	75-23678-01	75-23678-01
95	Stk	Flue Duct Gasket	68-23680-03	68-23680-03	68-23680-03	68-23680-03	68-23680-03	68-23680-03	68-23680-03
96		Burner Shield	AE-58886-01	AE-58886-01	AE-58886-01	AE-58886-01	AE-58886-01	AE-58886-01	AE-58886-01
97	Stk	Limit (Manual Reset) - Before Approximate Date Code F4708 (See Note 3)	47-22861-01 (1)	47-22861-01 (1)	47-22861-01 (2)	47-22861-01 (2)	47-22861-01 (2)	47-22861-01 (2)	47-22861-01 (2)
97	Stk	Limit (Manual Reset) - After Approximate Date Code F4708 (See Note 3)	N/A	47-22861-02 (1)	N/A	47-22861-02 (2)	47-22861-02 (2)	47-22861-02 (2)	47-22861-02 (2)
98		Burner Floor	AE-58932-02	AE-58932-02	AE-58932-02	AE-58932-02	AE-58932-02	AE-58932-02	AE-58932-02
99		Burner Tubes - Before F1296	Model was produced with burners not including shield. If replacing burner WITHOUT shield with current burner WITH shield, all older burners WITHOUT shield must be replaced.						
99	Stk	Burner With Shield - After F1296	75-22840-02 (4)	75-22840-02 (4)	75-22840-02 (5)	75-22840-02 (5)	75-22840-02 (6)	75-22840-02 (6)	75-22840-02 (6)
99	Stk, 3	Burner Assembly - After Approximate Date Code F4708 (See Note 3)	N/A	AS-60993-04	N/A	AS-60993-05	AS-60993-06	AS-60993-06	AS-60993-06
99a		Bushing - After Approximate Date Code F4708	N/A	45-42519-01	N/A	45-42519-01	45-42519-01	45-42519-01	45-42519-01
100		Burner Support - (Holds the Burners between the Burner Support Brackets) - Before Approximate Date Code F4708	AE-58887-02	AE-58887-02	AE-58887-02	AE-58887-02	AE-58887-02	AE-58887-02	AE-58887-02
100		Burner Support - (Holds the Burners between the Burner Support Brackets) - After Approximate Date Code F4708	N/A	AE-102650-01	N/A	AE-102650-01	AE-102650-01	AE-102650-01	AE-102650-01
101		Burner Support Bracket (2) - Before Approximate Date Code F4708	AE-61588-01	AE-61588-01	AE-61588-01	AE-61588-01	AE-61588-01	AE-61588-01	AE-61588-01
101		Burner Support Bracket (2) - After Approximate Date Code F4708	N/A	AE-61588-02	N/A	AE-61588-02	AE-61588-02	AE-61588-02	AE-61588-02
102	Stk	Manifold (w/o Orifices)	AS-59145-01	AS-59145-01	AS-59145-01	AS-59145-01	AS-59145-01	AS-59145-01	AS-59145-01
103	Stk	Square Head Plug - (Used on Manifold to plug extra holes)	81-23593-01 (3)	81-23593-01 (3)	81-23593-01 (2)	81-23593-01 (2)	81-23593-01 (1)	81-23593-01 (1)	81-23593-01 (1)
104		Burner Orifice - Natural Gas:	See Orifice Selection chart						
104		Burner Orifice - LP:	See Orifice Selection chart						
104		Number of Orifices	(4)	(4)	(5)	(5)	(6)	(6)	(6)
105	Stk	Flame Sensor	62-23543-02	62-23543-02	62-23543-02	62-23543-02	62-23543-02	62-23543-02	62-23543-02
106	Stk	Ignition Electrode and Cable	62-23556-01	62-23556-01	62-23556-01	62-23556-01	62-23556-01	62-23556-01	62-23556-01

No.	Notes	MODEL GAS CODE	UKKA-A 1X	UKKA-A 1R	UKKA-A 2A	UKKA-A 2F	UKKA-A 2G	UKKA-A 2J
GAS CONTROLS								
37	Stk	Integrated Furnace Control Board (IFC)	62-23599-01	62-23599-01	62-23599-01	62-23599-01	62-23599-01	62-23599-03
107	Stk	Gas Valve - Natural Gas	60-23490-01	60-105055-01	60-24290-01	60-23490-13	60-105055-01	60-102405-01
107	Stk,1	Gas Valve - LP	See Note 1	See Note 1	See Note 1	See Note 2	See Note 1	See Note 1
108		Street Elbow	81-17486-01	81-17487-01	81-17486-01	81-40271-04	81-17487-01	81-40271-04
		Nipple	81-40683-02	81-40683-02	81-40683-02	N/A	81-40683-02	81-40683-02
	Stk	LP Conversion Kit	EP-84W	EP-85H	EP-84W	EP-86W	EP-85H	FP-24

No.	Notes	MODEL	UKKA-	UKKA-	UKKA-	UKKA-	UKKA-	UKKA-
		TECHNICAL VARIATION	A	A	A	A	A	A
		COOLING CAPACITY	036-073	036-073	036-073	085	085	085
		ELECTRICAL DESIGNATION	C	D	Y	C	D	Y
POWER EXHAUST								
		Power Exhaust	RXRZ-BGF04C	RXRZ-BGF04D	RXRZ-BGF04Y	RXRZ-BGF03C	RXRZ-BGF03D	RXRZ-BGF03Y

No.	Notes	MODEL	UKKA-	UKKA-	UKKA-			
		TECHNICAL VARIATION	A	A	A			
		HEATING CAPACITY	036/042	048/060	072/073/085			
ACCESSORY PANEL OPTIONS								
		Louver Panel Kits (Option 597)	RXRZ-AAD01A	RXRZ-AAD01B	RXRZ-AAD01B			

No.	Notes	MODEL	UKKA-	UKKA-				
		TECHNICAL VARIATION	A	A				
		HEATING CAPACITY	036-073	085				
ACCESSORY CONTROL OPTIONS								
		Low Ambient Control Kit	RXRZ-A18	RXRZ-A85				
		Time Delay Control Kit	RXMD-B01	RXMD-B04				
		Low Pressure Control Kit	RXAC-A02	RXAC-A05				
		High Pressure Control Kit	RXAB-A02	RXAB-A05				
		Dual Enthalpy Kit	RXRZ-AV02	RXRZ-AV02				
		Sensor - CO2	RXRZ-AR02	RXRZ-AR01				

No.	Notes	MODEL	UKKA-	UKKA-				
		TECHNICAL VARIATION	A	A				
		HEATING CAPACITY	036-073	085				
ECONOMIZER/DAMPER								
		Economizer - Single Enthalpy	RXRZ-MECM3	RXRZ-MCCM3				
		Fresh Air Damper - Fixed	RXRF-FBA1	RXRF-FCA1				
		Fresh Air Damper - Motorized	RXRF-FBB1	RXRF-FCB1				

PACKAGE EQUIPMENT - ORIFICE SELECTION CHART - NATURAL GAS

CAUTION: Selection of the correct Natural Gas Orifice requires the following information for the specific installation:

- 1) Furnace Input Rating (BTU/HR)
- 2) Number of Burners
- 2) Altitude (ft.)

For detailed information and instructions for Orifice selection, see the Gas Furnace LP Conversion Kit Index 92-21519-47 and the latest edition of the National Fuel Gas Code Handbook, or the National Standard of Canada, Natural Gas and Propane Installation Code, CAN B149.1.

CAUTION: This information is provided for replacement purposes only. Conversion for operation at High Altitude must be done using the kit specified on the product specification sheet for the unit.

NOTE: This Orifice sizing chart is based on a Natural Gas heating value of 1075 BTU/cu. ft and a pressure setting of 3.5 in. water column.

NOTE: Factory installed orifices are calculated and sized based on a Natural Gas heating value of 1075 BTU/cu. ft. and an elevation of 0 - 2000 ft.

Furnace Input Rating (BTU/HR)	Canadian High Altitude Derated Input (BTU/HR)	Number of Burners	Elevation (ft.)					
			Country					
			0 - 2000 U.S.	2001 - 4000 U.S.	4001 - 6000 U.S.	8000+ U.S.	0 - 2000 Canada	2001 - 4500 Canada
40,000	36,000	2	62-22175-45	62-22175-47	62-22175-48	62-22175-49	62-22175-45	62-22175-15
60,000	54,000	3	62-22175-45	62-22175-47	62-22175-48	62-22175-49	62-22175-45	62-22175-15
72,000	N/A	4	62-22175-15	62-22175-49	62-22175-50	62-22175-51	62-22175-15	N/A
80,000	72,000	4	62-22175-45	62-22175-47	62-22175-48	62-22175-49	62-22175-45	62-22175-15
90,000	N/A	5	62-22175-15	62-22175-49	62-22175-50	62-22175-51	62-22175-15	N/A
100,000	90,000	5	62-22175-45	62-22175-47	62-22175-48	62-22175-49	62-22175-45	62-22175-15
120,000	108,000	6	62-22175-45	62-22175-47	62-22175-48	62-22175-49	62-22175-45	62-22175-15
135,000	121,500	6	62-22175-44	62-22175-45	62-22175-47	62-22175-48	62-22175-44	62-22175-45
150,000	135,000	6	62-22175-42	62-22175-43	62-22175-44	62-22175-45	62-22175-42	62-22175-44
180,000	N/A	9	62-22175-45	62-22175-47	62-22175-48	62-22175-49	62-22175-45	N/A
210,000	N/A	9	62-22175-43	62-22175-44	62-22175-45	62-22175-47	62-22175-43	N/A
210,000	N/A	10	62-22175-45	62-22175-47	62-22175-48	62-22175-49	62-22175-45	N/A
225,000	202,500	9	62-22175-42	62-22175-43	62-22175-44	62-22175-45	62-22175-42	62-22175-44
250,000	225,000	10	62-22175-42	62-22175-43	62-22175-44	62-22175-45	62-22175-42	62-22175-44
252,000	225,000	9	62-22175-40	62-22175-42	62-22175-43	62-22175-44	62-22175-40	62-22175-42
252,000	N/A	12	62-22175-45	62-22175-47	62-22175-48	62-22175-49	62-22175-45	N/A
290,000	N/A	14	62-22175-45	62-22175-47	62-22175-48	62-22175-49	62-22175-45	N/A
300,000	270,000	12	62-22175-42	62-22175-43	62-22175-44	62-22175-45	62-22175-42	62-22175-44
330,000	N/A	14	62-22175-43	62-22175-44	62-22175-45	62-22175-47	62-22175-43	N/A
350,000	315,000	14	62-22175-42	62-22175-43	62-22175-44	62-22175-45	62-22175-42	62-22175-44
400,000	360,000	14	62-22175-40	62-22175-42	62-22175-43	62-22175-44	62-22175-40	62-22175-42

PACKAGE EQUIPMENT - ORIFICE SELECTION CHART - LP

CAUTION: Selection of the correct LP Orifice requires the following information for the specific installation:

- 1) Furnace Input Rating (BTU/HR)
- 2) Number of Burners
- 2) Altitude (ft.)

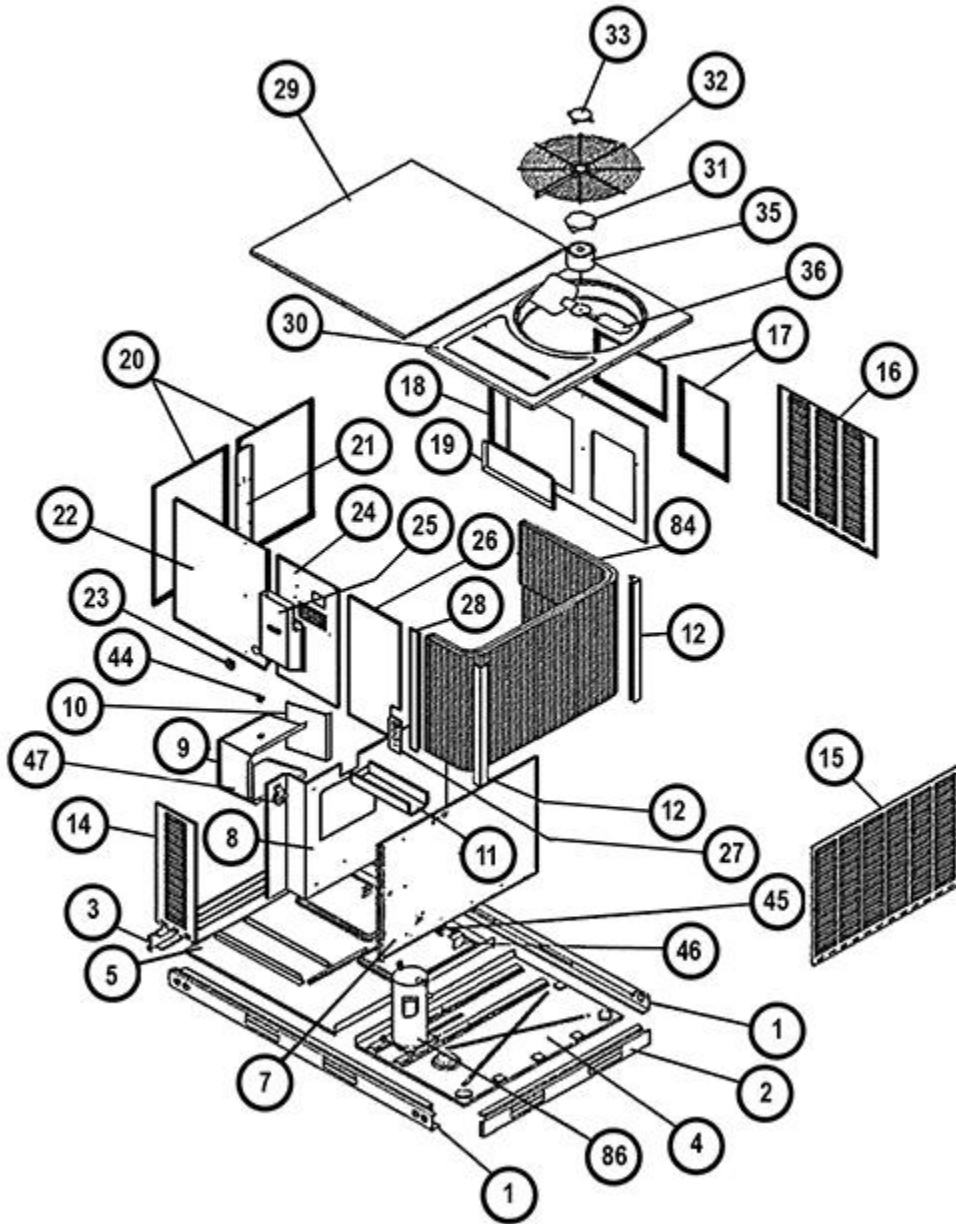
For detailed information and instructions for Orifice selection, see the Gas Furnace LP Conversion Kit Index 92-21519-47 and the latest edition of the National Fuel Gas Code Handbook, or the National Standard of Canada, Natural Gas and Propane Installation Code, CAN B149.1.

CAUTION: This information is provided for replacement purposes only. Conversion to LP or for operation at High Altitude should be done using the kit(s) specified on the product specification sheet for the unit.

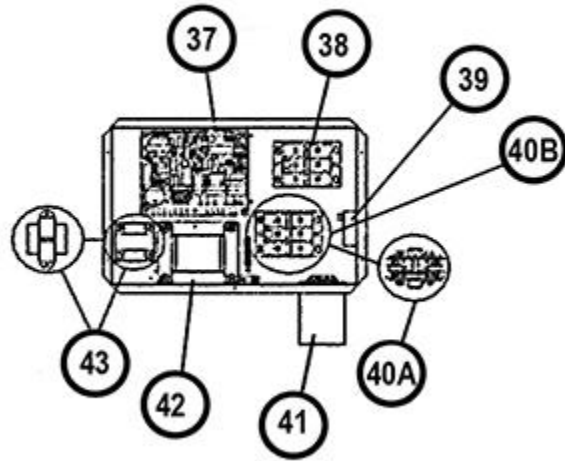
NOTE: This Orifice sizing chart is developed using the specified pressure setting of 10 in. water column instead of the 11.0 in water column used by the NFG and CANB149.1.

NOTE: Orifices supplied in the LP Conversion Kit are calculated and sized based on a heating value of 2500 BTU/cu. ft. and an elevation of 0 - 2000 ft.

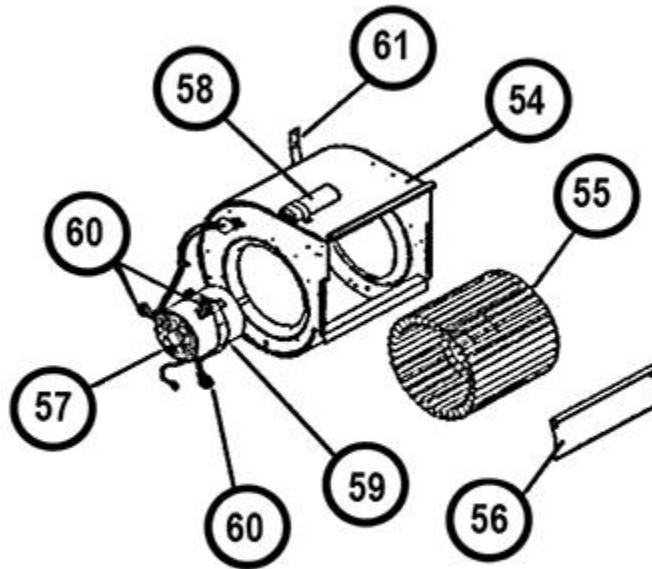
Furnace Input Rating (BTU/HR)	Canadian High Altitude Derated Input (BTU/HR)	Number of Burners	Elevation (ft.)					
			Country					
			0 - 2000 U.S.	2001 - 4000 U.S.	4001 - 6000 U.S.	8000+ U.S.	0 - 2000 Canada	2001 - 4500 Canada
40,000	36,000	2	62-22175-55	62-22175-55	62-22175-56	62-22175-56	62-22175-55	62-22175-13
60,000	54,000	3	62-22175-55	62-22175-55	62-22175-56	62-22175-56	62-22175-55	62-22175-13
72,000	N/A	4	62-22175-13	62-22175-57	62-22175-57	62-22175-59	62-22175-13	N/A
80,000	72,000	4	62-22175-55	62-22175-55	62-22175-56	62-22175-56	62-22175-55	62-22175-13
90,000	N/A	5	62-22175-13	62-22175-57	62-22175-57	62-22175-59	62-22175-13	N/A
100,000	90,000	5	62-22175-55	62-22175-55	62-22175-56	62-22175-56	62-22175-55	62-22175-13
120,000	108,000	6	62-22175-55	62-22175-55	62-22175-56	62-22175-56	62-22175-55	62-22175-13
135,000	121,500	6	62-22175-54	62-22175-55	62-22175-55	62-22175-56	62-22175-54	62-22175-55
150,000	135,000	6	62-22175-54	62-22175-55	62-22175-55	62-22175-56	62-22175-54	62-22175-54
180,000	N/A	9	62-22175-55	62-22175-55	62-22175-56	62-22175-56	62-22175-55	N/A
210,000	N/A	9	62-22175-54	62-22175-55	62-22175-55	62-22175-56	62-22175-54	N/A
210,000	N/A	10	62-22175-55	62-22175-55	62-22175-56	62-22175-56	62-22175-55	N/A
225,000	202,500	9	62-22175-54	62-22175-55	62-22175-55	62-22175-56	62-22175-54	62-22175-54
250,000	225,000	10	62-22175-54	62-22175-55	62-22175-55	62-22175-56	62-22175-54	62-22175-54
252,000	225,000	9	62-22175-53	62-22175-54	62-22175-54	62-22175-55	62-22175-53	62-22175-54
252,000	N/A	12	62-22175-55	62-22175-55	62-22175-56	62-22175-56	62-22175-55	N/A
290,000	N/A	14	62-22175-55	62-22175-55	62-22175-56	62-22175-56	62-22175-55	N/A
300,000	270,000	12	62-22175-54	62-22175-55	62-22175-55	62-22175-56	62-22175-54	62-22175-54
330,000	N/A	14	62-22175-54	62-22175-55	62-22175-55	62-22175-56	62-22175-54	N/A
350,000	315,000	14	62-22175-54	62-22175-55	62-22175-55	62-22175-56	62-22175-54	62-22175-54
400,000	360,000	14	62-22175-53	62-22175-54	62-22175-54	62-22175-55	62-22175-53	62-22175-54



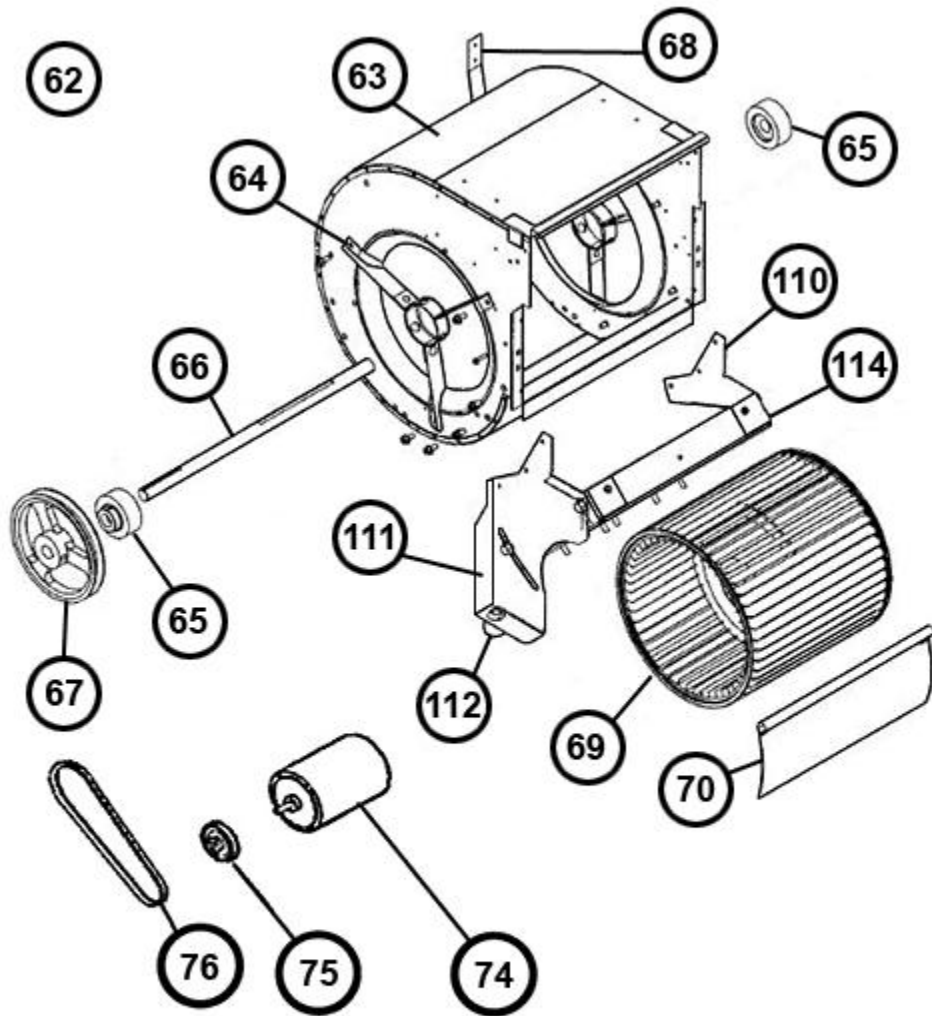
Exploded View



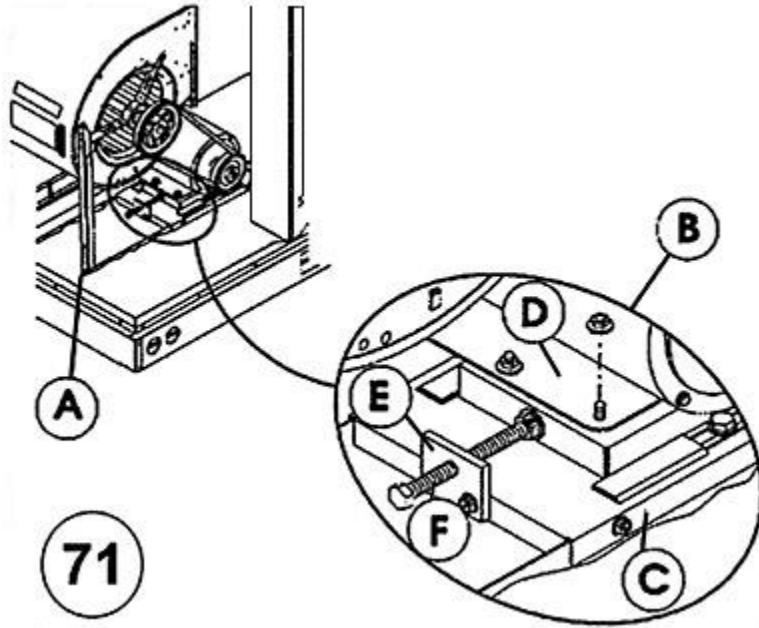
Control Box



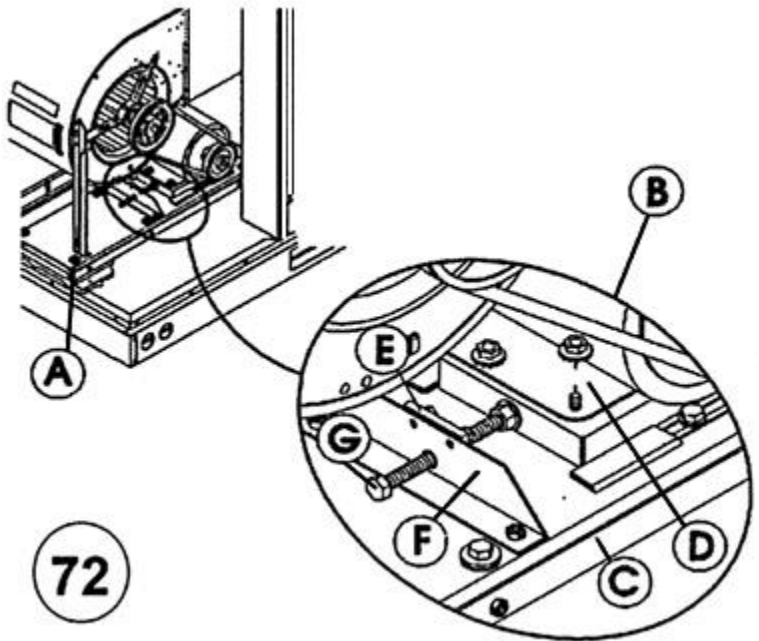
Blower Assembly Direct Drive



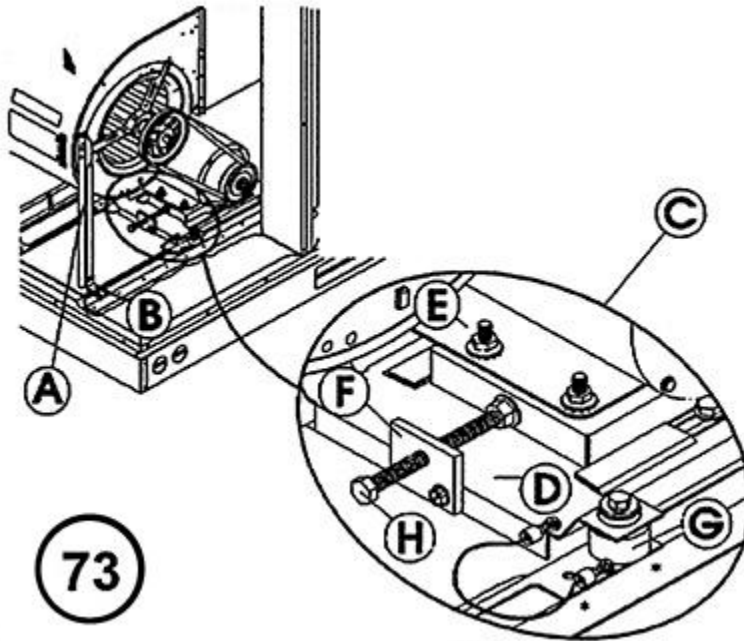
Blower Assembly - Belt Drive



Blower Mounting - Date Code F4897 or Before

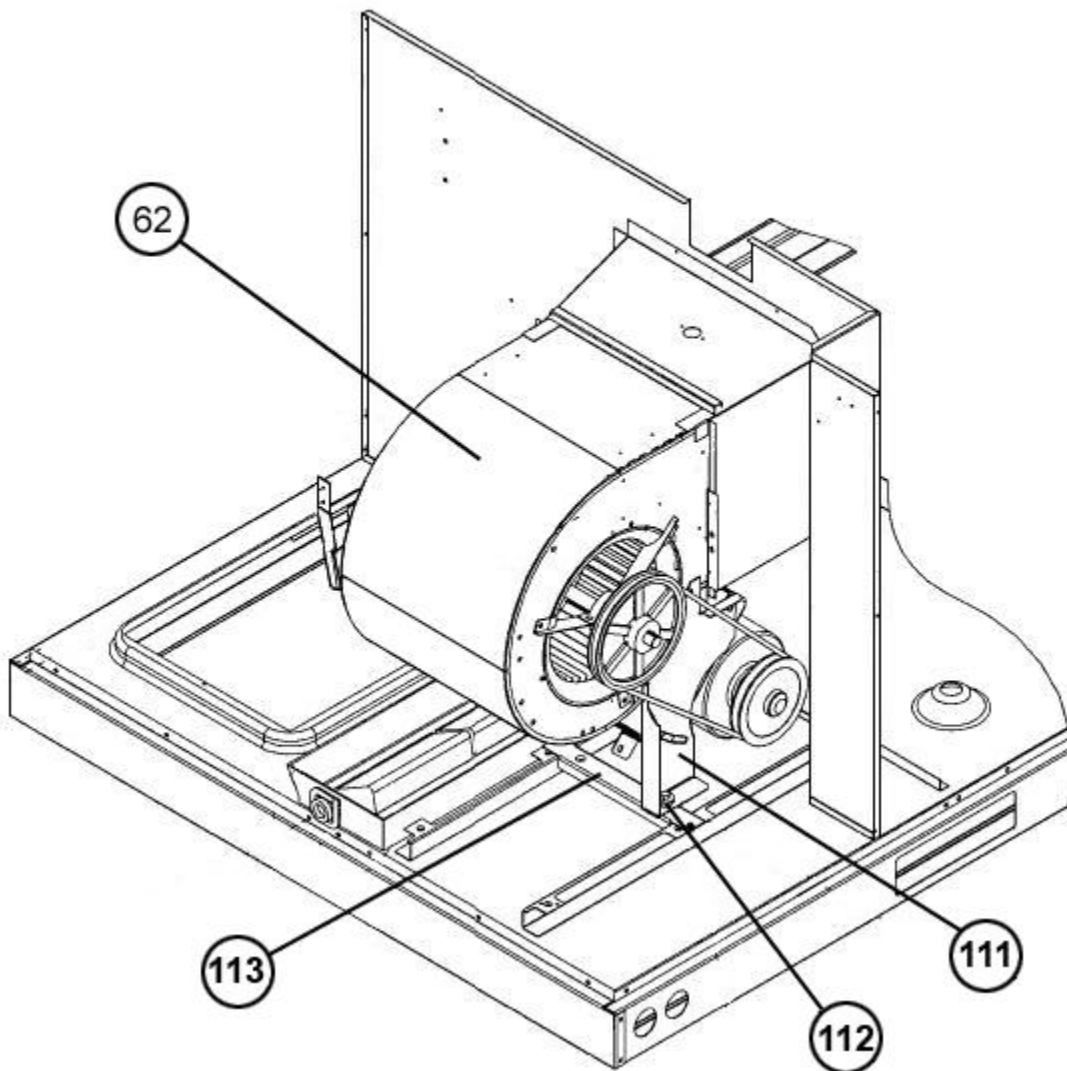


Blower Mounting - Date Codes F4897 - F4298

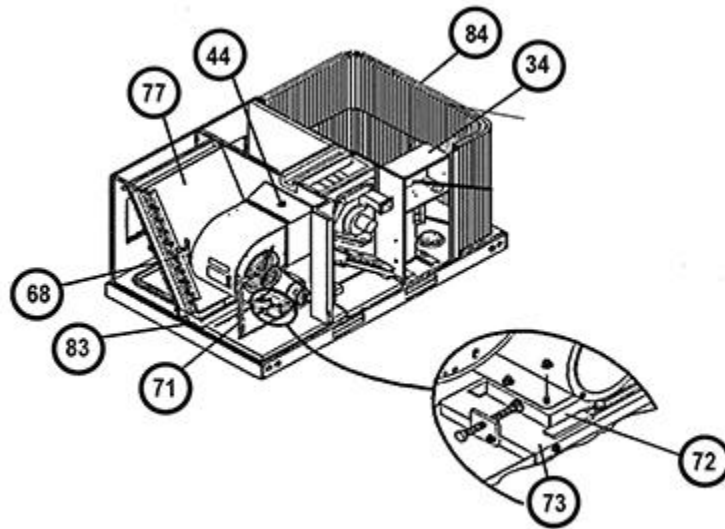


73

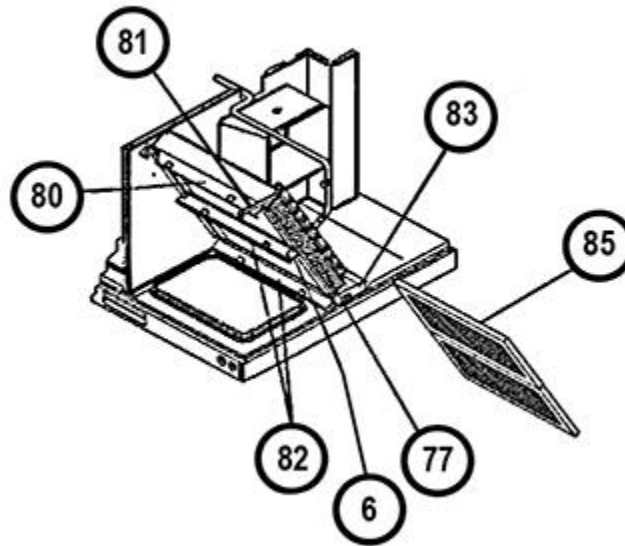
Blower Mounting - Date Codes F4298 - F2004



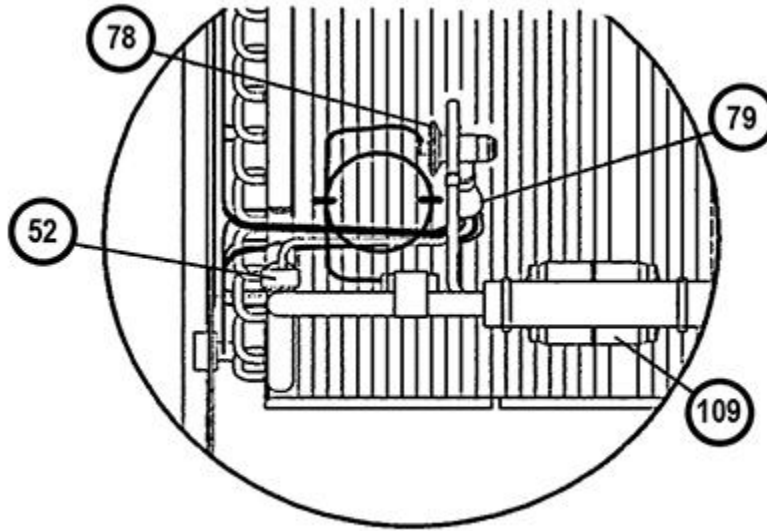
Blower Mounting - Date Code F2004 or After



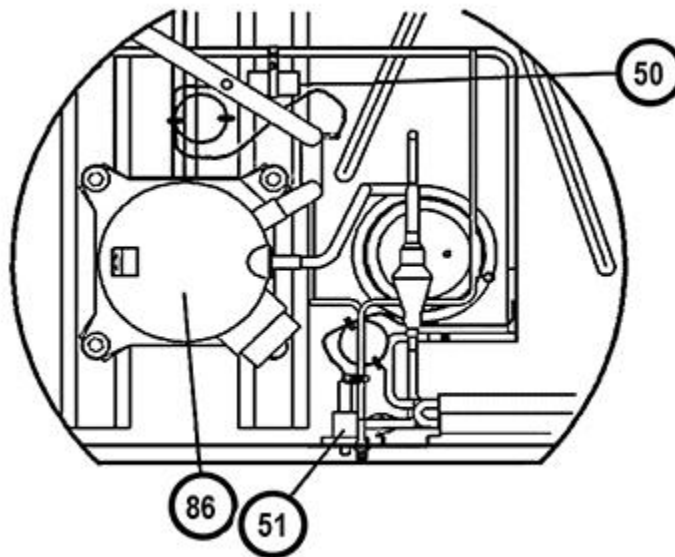
Coil Group Cut-away View



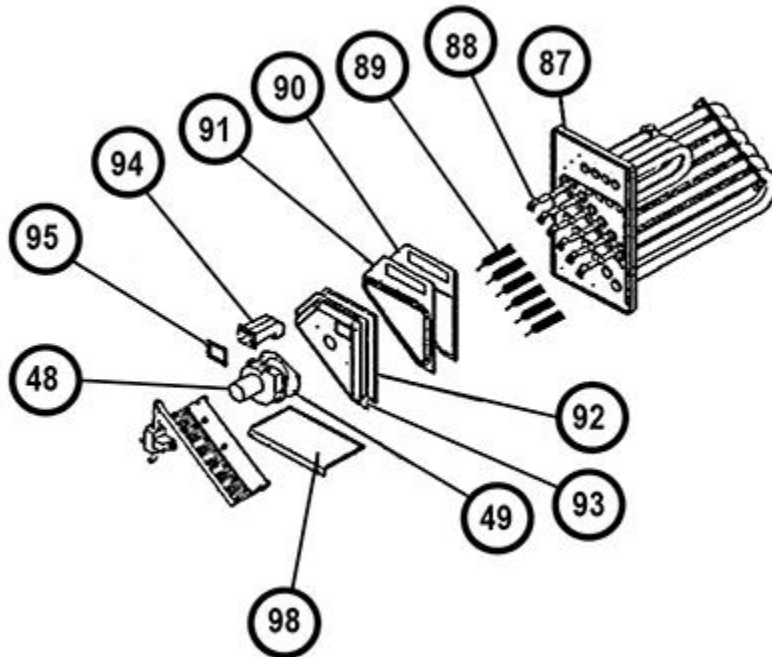
Evaporator Coil - Filter Parts



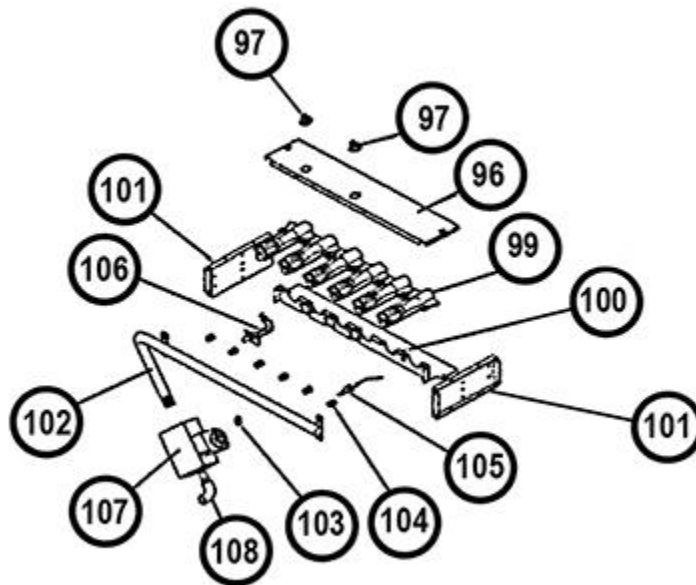
Freeze Stat Control - TXV



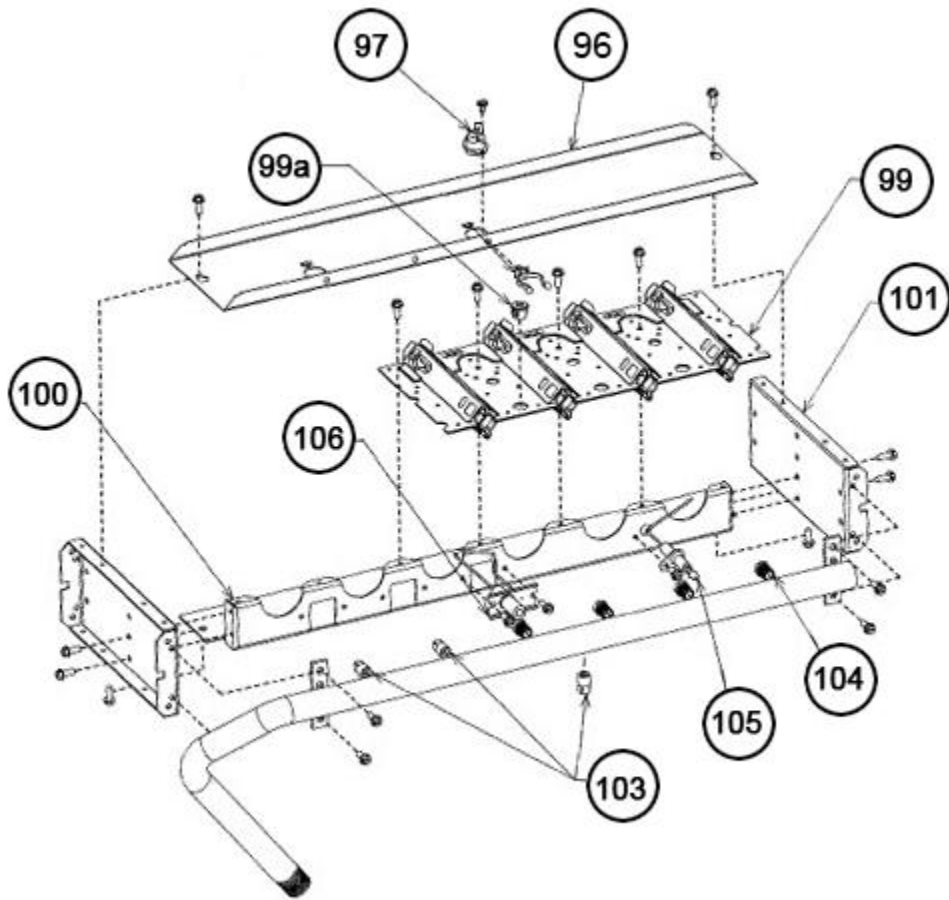
Compressor - Refrigeration Group



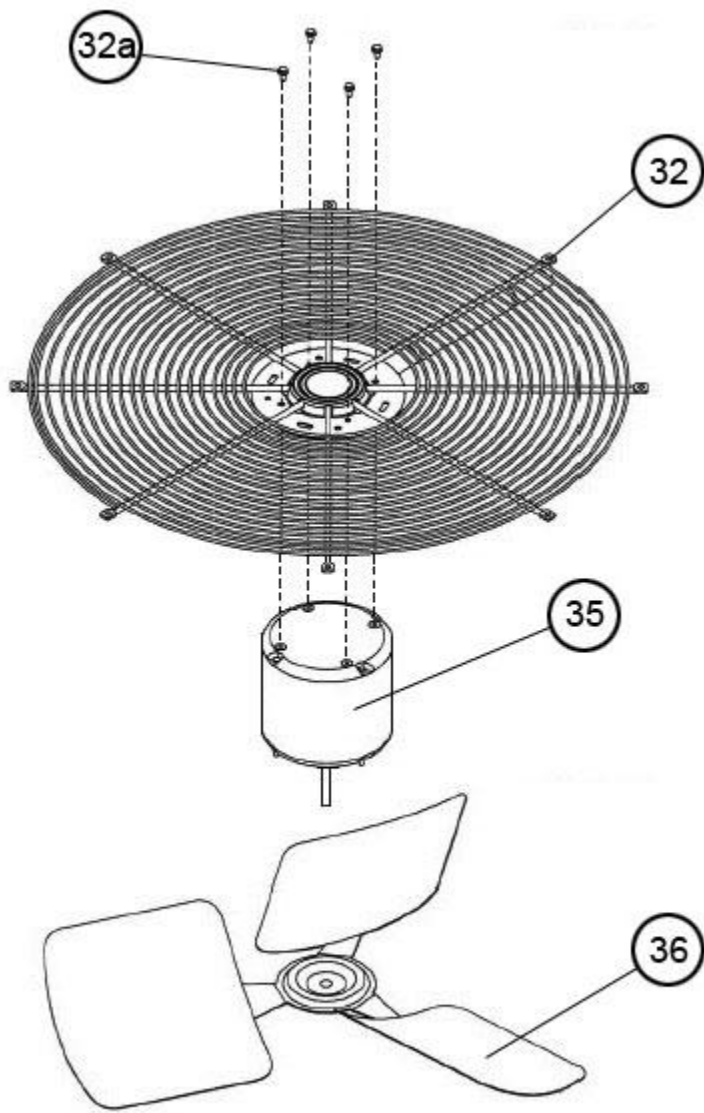
Heat Exchanger Assembly



In-Shot Burner Assembly - Before F4708



One Piece Burner Assembly - After F4708



Grille Assembly (-085N) - See Note 5

NOTES

Stk It is recommended that stock be maintained for this part.

N/A Not Applicable

- 1 Order Gas Valve for Natural Gas along with LP Conversion Kit.
- 2 Order the specified LP Conversion Kit
- 3 On or about 11/22/08 (Date Code 4708), the Burner Assemblies were changed from a multiple (individual) tube burner design to a single plate (integral) burner design. Check unit for appropriate burner assembly type before ordering replacement parts.
- 4 Some 5 ton units were supplied with older coils that utilized Distributor/Captube Assemblies with 10 captubes. Newer 5 ton units were supplied with Distributor/Captube Assemblies that utilized 8 captubes . Check unit for appropriate Distributor/Captube Assembly before ordering.
- 5 On or about 01/29/17 (Date Code F0517), the fan motor mounting was changed to a direct mount to the bottom of the grille with 4 self-tapping screws (63-100404-01) for the -A085N variants.