



RLKA

Parts List
13-January-2017



*This parts list is current as of the above revision date.
See <http://www.rheempartslists.net/92-42800-RLKA.pdf> for the current revision.*

Package Air Conditioners - Commercial

Table of Contents

Model Explanation	Page 3
-------------------------	--------

Parts Numbers

Panels - Miscellaneous	Page 4
Electrical Group	Page 5
Fan Group	Page 6
Blower Group - Direct Drive	Page 7
Blower Group - Belt Drive (036-073)	Page 8
Blower Group - Belt Drive (085-120)	Page 9
Blower Motor Group - Belt (1)	Page 10
Blower Motor Group - Belt (2)	Page 11
Blower Motor Group - Belt (3)	Page 12
Blower Motor Mount - Belt Drive	Page 13
Coil Parts	Page 14
Compressor Group (1)	Page 15
Compressor Group (2)	Page 16
Heater Kits	Page 17
Accessories	Page 18

Drawings/Photographs

Exploded View	Page 19
Control Box	Page 20
Blower Assembly - Direct Drive	Page 20
Blower Assembly - Belt Drive	Page 21
Blower Mounting - Date Code F4897 or Before	Page 22
Blower Mounting - Date Codes F4897 - F4298	Page 22
Blower Mounting - Date Codes F4298 - F2004	Page 22
Blower Mounting - Date Code F2004 or After	Page 23
Coil Group Cut-away View	Page 24
Evaporator Coil - Filter Parts	Page 24
Freeze Stat Control	Page 25
Compressor - Refrigeration Group	Page 25
Grille Assembly (-085N) - See Note 1	Page 26

Notes/Disclaimer	Page 27
------------------------	---------

MODEL NUMBER EXPLANATION

R	L	K	A	-	A	0 3 6	J	K	0 1 0
1	2	3	4		5	6	7	8	9

- 1 TRADEBRAND** **8** **DRIVE PACKAGE**
 K = Direct Drive
 L = Belt Drive
 M = Belt Drive - High Static
- 2 L = PACKAGE AIR CONDITIONER Commercial**
- 3 EFFICIENCY DESIGNATION** **9** **ELECTRIC HEAT- (Resistance Heat)**
 K = Standard Efficiency (10 SEER)
 M = High Efficiency (12 SEER)
 000 = No Resistance Heat
 006 = 6 KW
 010 = 10KW
 012 = 12 KW
 015 = 15 KW
 020 = 20 KW
 021 = 20 KW
 024 = 24 KW
- 4 DESIGN SERIES**
 A = 1st Design
- 5 TECHNICAL VARIATION**
- 6 COOLING CAPACITY (BTU/HR)**

60 Hz	50 Hz
036 = 36,000	036 = 32,600
042 = 42,000	042 = 41,100
048 = 48,000	048 = 45,400
060 = 60,000	060 = 52,600
072 = 72,000	072 = 67,400
073 = 72,000	085 = 76,500
085 = 85,000	100 = 89,300
	120 = 110,400
- 7 ELECTRICAL DESIGNATION**
 J = 208-230/1/60
 C = 208-230/3/60
 D = 460/3/50
 N = 380-415/3/50
 P = 200-220/3/50
 Y = 575/3/60

SERIAL NUMBER EXPLANATION

1 2 3 4	F	0 5	9 6	0 0 0 1
1	2	3	4	5

- 1 COMPRESSOR IDENTIFICATION NUMBER**
- 2 PRODUCTION LOCATION**
 F = FORT SMITH, AR
- 3 WEEK OF PRODUCTION**
- 4 YEAR OF PRODUCTION**
- 5 PRODUCTION NUMBER**

No.	Notes	MODEL TECHNICAL VARIATION COOLING CAPACITY	RLKA- A 036-073	RLKA- A 085	RLKA- A 100	RLKA- A 120
PANELS AND MISCELLANEOUS PARTS						
1		Base Rail - Side (2)	AE-58900-01	AE-58900-02	AS-59012-01	AS-59012-01
2		Base Rail - Condenser End	AE-58901-01	AE-58901-01	AE-58901-02	AE-58901-02
3		Base Rail - Evaporator End	AE-58902-01	AE-58902-01	AE-58902-02	AE-58902-02
4		Outdoor Coil Base Pan	AS-59051-01	AS-59051-01	AS-59051-01	AS-59051-01
5		Indoor Coil Base Pan	AS-58910-05	AS-58910-04	AS-58910-06	AS-58910-06
6		Condenser Bulkhead (Does not include Limit Baffle or Tube Support Angles)	AS-59126-02	AS-59126-04	AS-59126-04	AS-59126-04
		Shield (Covers opening on the Condenser Bulkhead Assembly)	AS-59129-01	AS-59129-01	AS-59129-01	AS-59129-01
7		Blower Bulkhead (Does not include Tube Support Angle, Blower Extension, or Insulation Retainer)	AS-59129-01	AS-59130-01	AS-59130-02	AS-59130-02
8		Blower Extension - Front	AE-58928-01	AE-58928-01	AE-58928-01	AE-58928-01
9		Blower Extension - Back	AE-58928-02	AE-58928-02	AE-58928-02	AE-58928-02
		Cover Plate (On the Blower Extension - Front to cover the Limit Control opening)	AE-76216-01	AE-76216-01	AE-76216-01	AE-76216-01
		Insulation Retainer	AE-59059-01	AE-59059-01	AE-59059-01	AE-59059-01
10		Wire Chase	AS-58927-01	AS-58927-01	AS-58927-01	AS-58927-01
11		Corner Post (2)	AE-58965-01	AE-58965-01	AE-58965-01	AE-58965-01
12		Center Post	AE-58966-01	AE-58966-01	N/A	N/A
		Side Panel (036/042 Used on models with a smaller coil to block the opening in the cabinet.)	AE-59061-01	N/A	N/A	N/A
13		Louvered Panel - Small	See Accessories			
14		Louvered Panel -Long	See Accessories			
15		Louvered Panel - (Square)	See Accessories			
16		Supply/Return Panels (2)	AS-58992-01	AS-58992-01	AS-58992-01	AS-58992-01
17		Rear Panel (Includes Insulation, Filler Panel, and Stripping)	AS-58976-01	AS-58976-02	AS-58976-02	AS-58976-02
18		Filler Panel	AE-58974-01	AE-58975-02	AE-58975-02	AE-58975-02
		Filler Panel Stripping	AE-58897-10	AE-58897-43	AE-58897-43	AE-58897-43
19		Blower/Filter Access Panels (2)	AS-58990-01	AS-58990-01	AS-58990-01	AS-58990-01
20		Post - Left End	AS-58973-01	AS-58973-01	AS-58973-01	AS-58973-01
21		Front Panel	AS-59132-01	AS-59132-05	AS-59132-05	AS-59132-05
22		Electric Heat Access Panel	AS-59121-02	AS-59121-02	AS-59121-02	AS-59121-02
23		Compressor Access Panel	AE-58983-02	AE-58983-03	AE-58983-03	AE-58983-03
24		Power Entry Panel	AE-58968-03	AE-58968-04	AE-58968-04	AE-58968-04
25		Front Post	AE-58967-01	AE-58967-01	AE-58967-01	AE-58967-01
26		Indoor Coil Top Panel	AS-58979-01	AS-58979-02	AS-58979-02	AS-58979-02
27		Condenser Top Panel	AS-58982-01	AS-58982-01	AS-58982-02	AS-58982-02
28		Motor Mounting Plate	AE-58109-02	AE-58109-02	N/A	N/A
		Motor Mount - Outdoor Fan	N/A	N/A	70-42504-02	70-42504-03
29		Wire Grille	95-22758-05	95-22758-05	95-42507-01	95-42507-01
29a		Screws - Wire Grille (on or after F0517) -See Note 1	N/A	63-100404-01	N/A	N/A
30		Wire Grille Cap	AE-58110-02	AE-58110-02	N/A	N/A
31		Control Box (w/o components)	AS-59039-01	AS-59039-01	AS-59039-01	AS-59039-01
		Control Box Cover - For Option 08?A Only	AS-59167-01	N/A	N/A	N/A

No.	Notes	MODEL TECHNICAL VARIATION COOLING CAPACITY ELECTRICAL DESIGNATION	RLKA- A 036-060 J	RLKA- A 036-085 C	RLKA- A 036-085 D	RLKA- A 036-085 N	RLKA- A 036-085 P	RLKA- A 036-085 Y
ELECTRIC GROUP								
CONTROL BOX COMPONENTS:								
35	Stk	Blower Relay	42-25104-06	42-25104-06	42-25104-06	42-25104-06	42-25104-06	42-25104-06
36	Stk	Blower Time Delay Relay	42-21593-03	42-21593-03	42-21593-03	42-21593-03	42-21593-03	42-21593-03
37	Stk	Blower Contactor - Belt Drive	N/A	42-25103-01	42-25103-01	42-25103-01	42-25103-01	42-25103-01
38		Compressor Time Delay Relay	See Compressor Group					
39	Stk	Compressor Contactor - Size 060J Only	42-25102-03	N/A	N/A	N/A	N/A	N/A
39	Stk	Compressor Contactor - Sizes 036-072 (Except 60J)	42-25101-01	42-25103-01	42-25103-01	42-25103-01	42-25103-01	42-25103-01
39	Stk	Compressor Contactor - Size 085	N/A	42-25103-01 (2)	42-25103-01 (2)	42-25103-01 (2)	42-25103-01 (2)	42-25103-01 (2)
33A		Capacitor Fan Motor - Oval	See Fan Group					
33B		Capacitor - Dual	See Compressor Group					
40	Stk	Control Transformer	46-23600-01	46-23600-01	46-23600-02	46-23115-06	46-23600-01	46-23600-02
	Stk	Control Transformer For Option 08?A	N/A	N/A	N/A	46-23115-09	N/A	N/A
41		Terminal Block	45-23591-01	45-23591-01	45-23591-01	45-23591-01	45-23591-01	45-23591-01
		Optional Controls (Standard On Some Models):						
	Stk	Low Ambient Control	47-21465-02	47-21465-02	47-21465-02	47-21465-02	47-21465-02	47-21465-02
42	Stk	Low Pressure Control	47-21466-01	47-21466-01	47-21466-01	47-21466-01	47-21466-01	47-21466-01
43	Stk	High Pressure Control	47-21604-03	47-21604-03	47-21604-03	47-21604-03	47-21604-03	47-21604-03
44	Stk	Freeze Stat	47-23683-04	47-23683-04	47-23683-04	47-23683-04	47-23683-04	47-23683-04

No.	Notes	MODEL TECHNICAL VARIATION COOLING CAPACITY ELECTRICAL DESIGNATION	RLKA- A 100 C	RLKA- A 100 N	RLKA- A 100 P	RLKA- A 120 N	RLKA- A 120 P
ELECTRIC GROUP							
CONTROL BOX COMPONENTS:							
35	Stk	Blower Relay	42-101208-01	42-21571-04	42-101208-01	42-21571-04	42-101208-01
36	Stk	Blower Time Delay Relay	42-21593-03	42-21593-03	42-21593-03	42-21593-03	42-21593-03
37	Stk	Blower Contactor - Belt Drive	42-22464-01	42-22464-01	42-22464-01	42-22464-01	42-22464-01
38		Compressor Time Delay Relay	See Compressor Group				
39	Stk	Compressor Contactor	42-22464-01 (2)	42-22464-01 (2)	42-22464-01 (2)	42-22464-01 (2)	42-22464-01 (2)
33A		Capacitor Fan Motor - Oval	See Fan Group				
33B		Capacitor - Dual	See Compressor Group				
40	Stk	Control Transformer	46-23600-01	46-23115-06	46-23600-01	46-23115-06	46-23600-01
41		Terminal Block	45-23591-01	45-23591-01	45-23591-01	45-23591-01	45-23591-01
44	Stk	Freeze Stat	N/A	47-23683-04	N/A	47-23683-04	N/A

No.	Notes	MODEL TECHNICAL VARIATION COOLING CAPACITY ELECTRICAL DESIGNATION	RLKA- A 036-048 J	RLKA- A 060 J	RLKA- A 036-048 C/P	RLKA- A 060 C/P	RLKA- A 072/073 C/P	
FAN GROUP								
32	Stk	Fan Motor	51-23053-11	51-23053-11	51-23053-11	51-23053-11	51-23052-11	
33B	Stk	Run Capacitor - Oval	N/A	N/A	43-25134-02	43-25134-02	43-25134-04	
		Capacitor Adapter Plate	N/A	N/A	AE-54609-02	AE-54609-02	AE-54609-02	
34	Stk	Fan Blade	70-23137-01	70-23137-01	70-23137-01	70-23137-01	70-19897-01	

No.	Notes	MODEL TECHNICAL VARIATION COOLING CAPACITY ELECTRICAL DESIGNATION	RLKA- A 085 C/P	RLKA- A 036-048 D/N	RLKA- A 060 D/N	RLKA- A 072/073 D/N	RLKA- A 085 D	RLKA- A 085 N
FAN GROUP								
32	Stk	Fan Motor (before F0517)	51-42179-01	51-23063-11	51-23063-11	51-21853-15	51-21853-15	51-21853-15
32	Stk	Fan Motor (on or after F0517)	51-42179-01	51-23063-11	51-23063-11	51-21853-15	51-21853-15	51-100998-12 (See Note 1)
	Stk	Option 08?A - Export Market	N/A	51-21853-13	N/A	51-21853-13	N/A	N/A
33B	Stk	Run Capacitor - Oval	43-25134-04	43-25134-02	43-25134-02	43-25134-04	43-25134-04	43-25134-02
	Stk	Option 08?A - Export Market	N/A	43-26133-04	N/A	43-26133-04	N/A	N/A
		Capacitor Adapter Plate	AE-54609-02	AE-54609-02	AE-54609-02	AE-54609-02	AE-54609-02	AE-54609-02
34	Stk	Fan Blade	70-19897-01	70-23137-01	70-23137-01	70-19897-01	70-19897-01	70-19897-01

No.	Notes	MODEL TECHNICAL VARIATION COOLING CAPACITY ELECTRICAL DESIGNATION	RLKA- A 036-048 Y	RLKA- A 060 Y	RLKA- A 072/073 Y	RLKA- A 085 Y		
FAN GROUP								
32	Stk	Fan Motor	51-42180-02	51-42180-02	51-42180-02	51-42180-02		
33B	Stk	Run Capacitor - Oval	43-25134-03	43-25134-03	43-25134-03	43-25134-03		
		Capacitor Adapter Plate	AE-54609-02	AE-54609-02	AE-54609-02	AE-54609-02		
34	Stk	Fan Blade	70-23137-01	70-23137-01	70-19897-01	70-19897-01		

No.	Notes	MODEL TECHNICAL VARIATION COOLING CAPACITY ELECTRICAL DESIGNATION	RLKA- A 100 C	RLKA- A 100 N	RLKA- A 100 P	RLKA- A 120 N	RLKA- A 120 P	
FAN GROUP								
32	Stk	Fan Motor	51-42534-05	51-42534-06	51-42534-05	51-42534-08	51-42534-07	
33B	Stk	Run Capacitor - Oval	43-100496-17	43-100496-17	43-100496-17	43-100496-42	43-100496-42	
		Capacitor Adapter Plate	AE-54609-02	AE-54609-02	AE-54609-02	AE-54609-02	AE-54609-02	
34	Stk	Fan Blade	70-42497-02	70-42497-02	70-42497-02	70-42497-02	70-42497-02	

No.	Notes	MODEL TECHNICAL VARIATION COOLING CAPACITY ELECTRICAL DESIGNATION DRIVE PACKAGE	RLKA- A 036-048 J/C K	RLKA- A 060 J/C K	RLKA- A 036-048 D K	RLKA- A 060 D K
BLOWER GROUP - DIRECT DRIVE						
	Stk	Blower Assembly - Direct Drive	AS-59050-03	AS-59050-06	AS-59050-09	AS-59050-11
46		Housing	AS-58944-01	AS-58944-01	AS-58944-01	AS-58944-01
47	Stk	Wheel	70-23110-30	70-23110-30	70-23110-30	70-23110-30
48		Cut-Off	AE-64401-05	AE-64401-05	AE-64401-05	AE-64401-05
49	Stk	Blower Motor	51-23679-01	51-23555-02	51-23679-02	51-23555-03
50	Stk	Capacitor - Blower Motor	43-25134-04	43-20847-16	43-25134-04	43-25134-04
51		Motor Band	70-19927-01	70-19927-01	70-19927-01	70-19927-01
52		Motor Mounting Arm (3)	70-19929-02	70-19929-02	70-19929-02	70-19929-02
53		Blower Support	AE-58950-02	AE-58950-02	AE-58950-02	AE-58950-02

No.	Notes	MODEL TECHNICAL VARIATION COOLING CAPACITY ELECTRICAL DESIGNATION DRIVE PACKAGE	RLKA-	RLKA-	RLKA-	RLKA-	RLKA-	RLKA-
			A 036-048 J/C/D/Y L	A 060 J/C/D/Y L	A 036-060 N/P L/M	A 072 C/D/N/P/Y L/M	A 073 C/D/N/P/Y L/M	A 036-060 J/C/D/Y M
BLOWER GROUP - BELT DRIVE (Before F2004)								
54	Stk	Blower Assembly (w/o Motor, Belt, and Sheaves)	AS-59056-13	AS-59056-14	AS-59056-14	AS-59056-06	AS-59056-12	AS-59056-14
55		Housing	AS-58944-01	AS-58944-01	AS-58944-01	AS-58948-01	AS-58948-01	AS-58944-01
56		Bearing Frame Tri-Arm (2)	70-41723-03	70-41723-03	70-41723-03	70-41723-02	70-41723-02	70-41723-03
57	Stk	Ball Bearing And Cushion (2)	70-41722-03	70-41722-03	70-41722-03	70-41722-03	70-41722-03	70-41722-03
58	Stk	Blower Shaft - 3/4 in.	70-21933-02	70-21933-02	70-21933-02	70-21933-02	70-21933-02	70-21933-02
59	Stk	Fixed Pitch Sheave	71-21932-04	71-21932-03	71-21932-03	71-21932-03	71-21932-03	71-21932-03
60		Blower Support - Left (Housing to Evaporator Coil)	AE-58950-02	AE-58950-02	AE-58950-02	AE-58950-02	AE-58950-02	AE-58950-02
61	Stk	Wheel	70-23589-01	70-23589-01	70-23589-01	70-21773-01	70-21773-01	70-23589-01
62		Cut-Off	AE-64401-05	AE-64401-05	AE-64401-05	AE-64401-05	AE-64401-05	AE-64401-05
66		Blower Motor	See Blower Motor Group - Belt Drive					
67		Variable Pitch Sheave	See Blower Motor Group - Belt Drive					
68		Belt	See Blower Motor Group - Belt Drive					
		Key (3/16x3/16x1-1/4)	94-22030-01	94-22030-01	94-22030-01	94-22030-01	94-22030-01	94-22030-01

No.	Notes	MODEL TECHNICAL VARIATION COOLING CAPACITY ELECTRICAL DESIGNATION DRIVE PACKAGE	RLKA-	RLKA-	RLKA-	RLKA-	RLKA-	RLKA-
			A 036-048 J/C/D/Y L	A 060 J/C/D/Y L	A 036-060 N/P L/M	A 072 C/D/N/P/Y L/M	A 073 C/D/N/P/Y L/M	A 036-060 J/C/D/Y M
BLOWER GROUP - BELT DRIVE (After F2004)								
54	Stk	Blower Assembly (w/o Motor, Belt, and Sheaves)	AS-101336-01	AS-101336-05	AS-101336-05	AS-101336-03	AS-101336-02	AS-101336-05
55		Housing	AS-101341-01	AS-101341-01	AS-101341-01	AS-101342-01	AS-101342-01	AS-101341-01
56		Bearing Frame Tri-Arm (2)	70-41723-03	70-41723-03	70-41723-03	70-41723-02	70-41723-02	70-41723-03
57	Stk	Ball Bearing And Cushion (2)	70-41911-01	70-41911-01	70-41911-01	70-41911-01	70-41911-01	70-41911-01
58	Stk	Blower Shaft - 3/4 in.	70-21933-02	70-21933-02	70-21933-02	70-21933-02	70-21933-02	70-21933-02
59	Stk	Fixed Pitch Sheave	71-21932-04	71-21932-03	71-21932-03	71-21932-03	71-21932-03	71-21932-03
60		Blower Support - Left (Housing to Evaporator Coil)	AE-58950-02	AE-58950-02	AE-58950-02	AE-58950-03	AE-58950-02	AE-58950-02
61	Stk	Wheel	70-23589-01	70-23589-01	70-23589-01	70-21773-01	70-21773-01	70-23589-01
62		Cut-Off	AE-64401-05	AE-64401-05	AE-64401-05	AE-64401-18	AE-64401-18	AE-64401-05
66		Blower Motor	See Blower Motor Group - Belt Drive					
67		Variable Pitch Sheave	See Blower Motor Group - Belt Drive					
68		Belt	See Blower Motor Group - Belt Drive					
		Key (3/16x3/16x1-1/4)	94-22030-01	94-22030-01	94-22030-01	94-22030-01	94-22030-01	94-22030-01

No.	Notes	MODEL TECHNICAL VARIATION COOLING CAPACITY ELECTRICAL DESIGNATION DRIVE PACKAGE	RLKA-	RLKA-	RLKA-
			A 085 C/D/N/P/Y L	A 085 C/D/N/P/Y M	A 100/120 C/N/P L/M
BLOWER GROUP - BELT DRIVE (Before F2004)					
54	Stk	Blower Assembly (w/o Motor, Belt, and Sheaves)	AS-59056-06	AS-59056-07	AS-59056-08
55		Housing	AS-58948-01	AS-58948-01	AS-58948-01
56		Bearing Frame Tri-Arm (2)	70-41723-02	70-41723-02	70-41723-02
57	Stk	Ball Bearing And Cushion (2)	70-41722-04	70-41722-04	70-41722-04
58	Stk	Blower Shaft - 3/4 in.	70-21933-02	70-21933-02	70-21933-02
59	Stk	Fixed Pitch Sheave	71-21932-03	71-21932-02	71-21932-02
60		Blower Support -Left (Housing To Evaporator Coil)	AE-58950-03	AE-58950-03	AE-58950-03
61	Stk	Wheel	70-21773-01	70-21773-01	70-21773-01
62		Cut-Off	AE-64401-18	AE-64401-18	AE-64401-18
66		Blower Motor	See Blower Motor Group		
67		Variable Pitch Sheave	See Blower Motor Group		
68		Belt	See Blower Motor Group		
		Key (3/16x3/16x1-1/4)	94-22030-01	94-22030-01	94-22030-01

No.	Notes	MODEL TECHNICAL VARIATION COOLING CAPACITY ELECTRICAL DESIGNATION DRIVE PACKAGE	RLKA-	RLKA-	RLKA-
			A 085 C/D/N/P/Y L	A 085 C/D/N/P/Y M	A 100/120 C/N/P L/M
BLOWER GROUP - BELT DRIVE (After F2004)					
54	Stk	Blower Assembly (w/o Motor, Belt, and Sheaves)	AS-101336-03	AS-101336-06	AS-101336-07
55		Housing	AS-101342-01	AS-101342-01	AS-101342-01
56		Bearing Frame Tri-Arm (2)	70-41723-02	70-41723-02	70-41723-02
57	Stk	Ball Bearing And Cushion (2)	70-41911-01	70-41911-01	70-41911-01
58	Stk	Blower Shaft - 3/4 in.	70-21933-02	70-21933-02	70-21933-02
59	Stk	Fixed Pitch Sheave	71-21932-03	71-21932-02	71-100772-02
60		Blower Support -Left (Housing To Evaporator Coil)	AE-58950-03	AE-58950-03	AE-58950-03
61	Stk	Wheel	70-21773-01	70-21773-01	70-21773-01
62		Cut-Off	AE-64401-18	AE-64401-18	AE-64401-18
66		Blower Motor	See Blower Motor Group		
67		Variable Pitch Sheave	See Blower Motor Group		
68		Belt	See Blower Motor Group		
		Key (3/16x3/16x1-1/4)	94-22030-01	94-22030-01	94-22030-01

No.		MODEL TECHNICAL VARIATION COOLING CAPACITY ELECTRICAL DESIGNATION DRIVE PACKAGE	RLKA- A 036/042 C/D L	RLKA- A 048 C/D L	RLKA- A 060 C/D L	RLKA- A 072 C/D L	RLKA- A 073 C/D L	RLKA- A 085 C/D L	RLKA- A 060 J L
BLOWER MOTOR GROUP - BELT DRIVE (Before F2004)									
66	Stk	Blower Motor	51-21911-01	51-21911-01	51-21912-01	51-41936-02	51-41936-02	51-41936-02	51-23571-03
67	Stk	Variable Pitch Sheave	71-40427-30	71-40427-29	71-40427-29	71-40427-29	71-40427-25	71-40427-25	71-40427-29
68	Stk	Belt - On or before F2796	71-40235-40	71-40235-41	71-40235-39	71-40235-41	N/A	N/A	71-40235-39
68	Stk	Belt - On or before F4298	71-40235-40	71-40235-41	71-40235-39	71-40235-40	N/A	71-40235-40	71-40235-39
68	Stk	Belt - After F4298	71-40235-40	71-40235-40	71-40235-40	71-40235-40	71-40235-40	71-40235-40	71-40235-40

No.		MODEL TECHNICAL VARIATION COOLING CAPACITY ELECTRICAL DESIGNATION DRIVE PACKAGE	RLKA- A 036/042 C/D L	RLKA- A 048 C/D L	RLKA- A 060 C/D L	RLKA- A 072 C/D L	RLKA- A 073 C/D L	RLKA- A 085 C/D L	RLKA- A 060 J L
BLOWER MOTOR GROUP - BELT DRIVE (On or after F2004)									
66	Stk	Blower Motor	51-21911-01	51-21911-01	51-21912-01	51-41936-02	51-41936-02	51-41936-02	51-23571-03
67	Stk	Variable Pitch Sheave	71-40427-30	71-40427-29	71-40427-29	71-40427-29	71-40427-25	71-40427-25	71-40427-29
68	Stk	Belt	71-40235-43	71-40235-43	71-40235-42	71-40235-42	71-40235-42	71-40235-43	71-40235-42

No.	Notes	MODEL TECHNICAL VARIATION COOLING CAPACITY ELECTRICAL DESIGNATION DRIVE PACKAGE	RLKA- A 036/042 C/D M	RLKA- A 048 C/D M	RLKA- A 060 C/D M	RLKA- A 072 C/D M	RLKA- A 073 C/D M	RLKA- A 085 C/D M	
BLOWER MOTOR GROUP - BELT DRIVE (Before F2004)									
66	Stk	Blower Motor	51-21912-01	51-21912-01	51-41936-01	51-41936-02	51-41936-02	51-41936-02	
67	Stk	Variable Pitch Sheave	71-40427-25	71-40427-25	71-40427-25	71-40427-25	71-40427-25	71-40427-25	
68	Stk	Belt - On or before F2796	71-40235-39	N/A	N/A	N/A	N/A	N/A	
68	Stk	Belt - On or before F4298	71-40235-39	71-40235-40	71-40235-40	71-40235-42	71-40235-42	N/A	
68	Stk	Belt - After F4298	71-40235-40	71-40235-40	71-40235-40	71-40235-40	71-40235-40	71-40235-39	

No.	Notes	MODEL TECHNICAL VARIATION COOLING CAPACITY ELECTRICAL DESIGNATION DRIVE PACKAGE	RLKA- A 036/042 C/D M	RLKA- A 048 C/D M	RLKA- A 060 C/D M	RLKA- A 072 C/D M	RLKA- A 073 C/D M	RLKA- A 085 C/D M	
BLOWER MOTOR GROUP - BELT DRIVE (On or after F2004)									
66	Stk	Blower Motor	51-21912-01	51-21912-01	51-41936-01	51-41936-02	51-41936-02	51-41936-02	
67	Stk	Variable Pitch Sheave	71-40427-25	71-40427-25	71-40427-25	71-40427-25	71-40427-25	71-40427-25	
68	Stk	Belt	71-40235-43	71-40235-43	71-40235-43	71-40235-43	71-40235-43	71-40235-42	

No.	Notes	MODEL TECHNICAL VARIATION COOLING CAPACITY ELECTRICAL DESIGNATION DRIVE PACKAGE	RLKA- A 036/042 N/P L	RLKA- A 048 N/P L	RLKA- A 060 N/P L	RLKA- A 072 N/P L	RLKA- A 073 N/P L	RLKA- A 085 N/P L	
BLOWER MOTOR GROUP - BELT DRIVE (Before F2004)									
66	Stk	Blower Motor	51-21912-01	51-21912-01	51-41936-01	51-41936-02	51-41936-02	51-41936-02	
67	Stk	Variable Pitch Sheave	71-40427-29	71-40427-25	71-40427-25	71-40427-25	71-40427-25	71-40427-25	
68	Stk	Belt - On or before F2796	N/A	N/A	N/A	71-40235-41	N/A	N/A	
68	Stk	Belt - On or before F4298	71-40235-39	71-40235-40	71-40235-40	71-40235-40	N/A	N/A	
68	Stk	Belt - After F4298	71-40235-40	71-40235-40	71-40235-40	71-40235-40	71-40235-40	71-40235-40	

No.	Notes	MODEL TECHNICAL VARIATION COOLING CAPACITY ELECTRICAL DESIGNATION DRIVE PACKAGE	RLKA- A 036/042 N/P L	RLKA- A 048 N/P L	RLKA- A 060 N/P L	RLKA- A 072 N/P L	RLKA- A 073 N/P L	RLKA- A 085 N/P L	
BLOWER MOTOR GROUP - BELT DRIVE (On or after F2004)									
66	Stk	Blower Motor	51-21912-01	51-21912-01	51-41936-01	51-41936-02	51-41936-02	51-41936-02	
67	Stk	Variable Pitch Sheave	71-40427-29	71-40427-25	71-40427-25	71-40427-25	71-40427-25	71-40427-25	
68	Stk	Belt	71-40235-42	71-40235-43	71-40235-43	71-40235-43	71-40235-43	71-40235-43	

No.	Notes	MODEL TECHNICAL VARIATION COOLING CAPACITY ELECTRICAL DESIGNATION DRIVE PACKAGE	RLKA- A 036/042 Y L	RLKA- A 048 Y L	RLKA- A 060 Y L	RLKA- A 072 Y L	RLKA- A 073 Y L	RLKA- A 085 Y L
BLOWER MOTOR GROUP - BELT DRIVE (Before F2004)								
66	Stk	Blower Motor	51-22241-02	51-22241-02	51-22241-02	51-42177-10	51-42177-10	51-42177-10
67	Stk	Variable Pitch Sheave	71-40427-30	71-40427-29	71-40427-29	71-40427-29	71-40427-29	71-40427-25
68	Stk	Belt - On or before F2796	71-40235-40	71-40235-41	71-40235-39	71-40235-41	N/A	N/A
68	Stk	Belt - On or before F4298	71-40235-40	71-40235-41	71-40235-39	71-40235-40	N/A	N/A
68	Stk	Belt - After F4298	71-40235-40	71-40235-40	71-40235-40	71-40235-40	71-40235-40	71-40235-40

No.	Notes	MODEL TECHNICAL VARIATION COOLING CAPACITY ELECTRICAL DESIGNATION DRIVE PACKAGE	RLKA- A 036/042 Y L	RLKA- A 048 Y L	RLKA- A 060 Y L	RLKA- A 072 Y L	RLKA- A 073 Y L	RLKA- A 085 Y L
BLOWER MOTOR GROUP - BELT DRIVE (On or after F2004)								
66	Stk	Blower Motor	51-22241-02	51-22241-02	51-22241-02	51-42177-10	51-42177-10	51-42177-10
67	Stk	Variable Pitch Sheave	71-40427-30	71-40427-29	71-40427-29	71-40427-29	71-40427-29	71-40427-25
68	Stk	Belt	71-40235-43	71-40235-43	71-40235-42	71-40235-42	71-40235-42	71-40235-43

No.	Notes	MODEL TECHNICAL VARIATION COOLING CAPACITY ELECTRICAL DESIGNATION DRIVE PACKAGE	RLKA- A 036/042 Y M	RLKA- A 048 Y M	RLKA- A 060 Y M	RLKA- A 072 Y M	RLKA- A 073 Y M	RLKA- A 085 Y M
BLOWER MOTOR GROUP - BELT DRIVE (Before F2004)								
66	Stk	Blower Motor	51-22241-02	51-22241-02	51-22241-01	51-42177-10	51-42177-10	51-42177-10
67	Stk	Variable Pitch Sheave	71-40427-25	71-40427-25	71-40427-25	71-40427-25	71-40427-25	71-40427-25
68	Stk	Belt - On or before F4298	71-40235-39	71-40235-40	71-40235-40	71-40235-42	N/A	N/A
68	Stk	Belt - After F4298	71-40235-40	71-40235-40	71-40235-40	71-40235-40	71-40235-40	71-40235-39

No.	Notes	MODEL TECHNICAL VARIATION COOLING CAPACITY ELECTRICAL DESIGNATION DRIVE PACKAGE	RLKA- A 036/042 Y M	RLKA- A 048 Y M	RLKA- A 060 Y M	RLKA- A 072 Y M	RLKA- A 073 Y M	RLKA- A 085 Y M
BLOWER MOTOR GROUP - BELT DRIVE (On or after F2004)								
66	Stk	Blower Motor	51-22241-02	51-22241-02	51-22241-01	51-42177-10	51-42177-10	51-42177-10
67	Stk	Variable Pitch Sheave	71-40427-25	71-40427-25	71-40427-25	71-40427-25	71-40427-25	71-40427-25
68	Stk	Belt	71-40235-43	71-40235-43	71-40235-43	71-40235-43	71-40235-43	71-40235-42

No.	Notes	MODEL TECHNICAL VARIATION COOLING CAPACITY ELECTRICAL DESIGNATION DRIVE PACKAGE	RLKA- A 100 C L	RLKA- A 100 N L	RLKA- A 100 N M	RLKA- A 100 P L
BLOWER MOTOR GROUP - BELT DRIVE (Before F2004)						
66	Stk	Blower Motor	51-42537-04	51-42537-04	51-42537-04	51-42537-04
67	Stk	Variable Pitch Sheave	71-40427-17	71-40427-17	71-40427-03	71-40427-17
68	Stk	Belt	71-40235-38	71-40235-38	71-40235-38	71-40235-38

No.	Notes	MODEL TECHNICAL VARIATION COOLING CAPACITY ELECTRICAL DESIGNATION DRIVE PACKAGE	RLKA- A 100 C L	RLKA- A 100 N L	RLKA- A 100 N M	RLKA- A 100 P L
BLOWER MOTOR GROUP - BELT DRIVE (On or after F2004)						
66	Stk	Blower Motor	51-42537-04	51-42537-04	51-42537-04	51-42537-04
67	Stk	Variable Pitch Sheave	71-40427-17	71-40427-17	71-40427-03	71-40427-17
68	Stk	Belt	71-40235-42	71-40235-42	71-40235-43	71-40235-42

No.	Notes	MODEL TECHNICAL VARIATION COOLING CAPACITY ELECTRICAL DESIGNATION DRIVE PACKAGE	RLKA- A 120 N L	RLKA- A 120 N M	RLKA- A 120 P L	RLKA- A 120 P M
BLOWER MOTOR GROUP - BELT DRIVE (Before F2004)						
66	Stk	Blower Motor	51-42537-04	51-42537-01	51-42537-04	51-42537-01
67	Stk	Variable Pitch Sheave	71-40427-03	71-40427-19	71-40427-03	71-40427-19
68	Stk	Belt	71-40235-38	71-40235-38	71-40235-38	71-40235-38

No.	Notes	MODEL TECHNICAL VARIATION COOLING CAPACITY ELECTRICAL DESIGNATION DRIVE PACKAGE	RLKA- A 120 N L	RLKA- A 120 N M	RLKA- A 120 P L	RLKA- A 120 P M
BLOWER MOTOR GROUP - BELT DRIVE (On or after F2004)						
66	Stk	Blower Motor	51-42537-04	51-42537-01	51-42537-04	51-42537-01
67	Stk	Variable Pitch Sheave	71-40427-03	71-40427-19	71-40427-03	71-40427-19
68	Stk	Belt	71-40235-43	71-40235-44	71-40235-43	71-40235-44

No.	Notes	MODEL TECHNICAL VARIATION VARIATIONS			RLKA- A ALL
BLOWER MOTOR MOUNTING - BELT DRIVE (Before F4897)					
63		MOTOR MOUNTING (WITHOUT GROMMETS):			
63A		Right Blower Support			AE-59060-01
63B		Motor Mounting Assembly			AS-59058-01
63C		Motor Mounting Base			AE-59052-01
63D		Motor Mounting Top			AS-59054-01
63E		Tread Plate			63-23587-01
63F		Bolt			63-19919-06

No.	Notes	MODEL TECHNICAL VARIATION VARIATIONS			RLKA- A ALL
BLOWER MOTOR MOUNTING - BELT DRIVE (F4897-F4298)					
64		MOTOR MOUNTING (WITH 6 GROMMETS):			
64A		Right Blower Support			AE-59060-01
64B		Motor Mounting Assembly			AS-59058-02
		Motor Support Channel under Adjusting Plate			AE-59341-01
64C		Motor Adjusting Plate			AE-59052-02
64D		Motor Mounting Top			AS-59054-01
64E		Treaded Plate			63-23587-01
64F		Motor Adjustment Bracket			AE-59340-01
64G		Bolt			63-19919-06
		Grommet (6)			56-18518-04
		Bolts (6)			63-20072-03

No.	Notes	MODEL TECHNICAL VARIATION VARIATIONS			RLKA- A ALL
BLOWER MOTOR MOUNTING - BELT DRIVE (F4298-F2004)					
65		MOTOR MOUNTING (WITH 4 GROMMETS):			
65A		Right Blower Support			AE-59060-02
65B		Right Blower Support Bracket			AE-59174-01
65C		Motor Mounting Assembly			AS-59058-03
65D		Motor Mounting Base			AE-59052-03
65E		Motor Mounting Top			AS-59054-01
65F		Threaded Plate			63-23587-01
65G		Grommet (4)			56-18518-04
65H		Bolt			63-19919-06

No.	Notes	MODEL TECHNICAL VARIATION COOLING CAPACITY ELECTRICAL DESIGNATION DRIVE PACKAGE	RLKA- A 036-060 J/C/D/N/P/Y L/M	RLKA- A 072/73/85 C/D/N/P/Y L/M	RLKA- A 100/120 C/N/P L/M
BLOWER MOTOR MOUNTING - BELT DRIVE (After F2004)					
91		Blower Bracket	AE-101124-01	AE-101124-05	AE-101124-05
92		Blower Bracket (Drive Side)	AE-101124-04	AE-101124-03	AE-101124-03
93		Grommet	56-18518-04	56-18518-04	56-18518-04
94		Motor Mounting Assembly (Individual items are not available)	AS-101340-01	AS-101340-01	AS-101340-01
95		Cross Brace	AE-101467-01	AE-101467-01	AE-101467-01

No.	Notes	MODEL TECHNICAL VARIATION COOLING CAPACITY	RLKA- A 036	RLKA- A 042	RLKA- A 048	RLKA- A 060	RLKA- A 072	RLKA- A 073	RLKA- A 085
COIL GROUP									
EVAPORATOR COIL:									
69	Stk	Evaporator Coil - (Includes the Metering Devices and Top Air Stop) Before F2104	AS-59070-01	AS-59070-02	AS-59070-02	AS-59070-03	AS-59070-04	AS-59070-17	AS-59070-15
69	Stk	Evaporator Coil - (Includes the Metering Devices and Top Air Stop) After F2104	AS-59070-01	AS-59070-02	AS-59070-02	AS-59070-18	AS-59070-04	AS-59070-17	AS-59070-15
		Dist/Captube Assembly (Circuit #1) - Before Date Code Indicated (FXXXX)	AS-59031-05 (N/A)	AS-59031-06 (N/A)	AS-59031-06 (N/A)	AS-59031-01 (F2104)	N/A	AS-59031-12 (F3506)	AS-59031-08 (F3506)
		Dist/Captube Assembly (Circuit #2) - Before Date Code Indicated (FXXXX)	N/A	N/A	N/A	N/A	N/A	AS-59031-13 (F3506)	AS-59031-09 (F3506)
		Dist/Captube Assembly (Circuit #1) - After Date Code Indicated (FXXXX)	AS-59031-05 (N/A)	AS-59031-06 (N/A)	AS-59031-06 (N/A)	AS-59031-15 (F2104)	N/A	83-100632-15 (F3506)	83-100632-15 (F3506)
		Dist/Captube Assembly (Circuit #2) - After Date Code Indicated (FXXXX)	N/A	N/A	N/A	N/A	N/A	83-100632-15 (F3506)	83-100632-15 (F3506)
70		TXV Distributor	N/A	N/A	N/A	N/A	83-21364-04	N/A	N/A
71	Stk	TXV	N/A	N/A	N/A	N/A	61-21922-63	N/A	N/A
72		Top Air Stop	AE-58933-01	AE-58933-01	AE-58933-01	AE-58933-01	AE-58933-01	AE-58933-01	AE-58933-02
73		Top Coil Support	AE-58941-01	AE-58941-01	AE-58941-01	AE-58941-01	AE-58941-01	AE-58941-01	AE-58941-01
74	Stk	Drain Pan - Indoor Coil	68-23559-01	68-23559-01	68-23559-01	68-23559-01	68-23559-01	68-23559-01	68-23559-02
76		Filter Channels (3) (Center is two channels back to back)	AE-58934-01	AE-58934-01	AE-58934-01	AE-58934-01	AE-58934-01	AE-58934-01	AE-58934-03
		Filter Keeper	AE-59168-01	AE-59168-01	AE-59168-01	AE-59168-01	AE-59168-01	AE-59168-01	AE-59168-01
78		Filter - Disposable	54-17531-10	54-17531-10	54-17531-10	54-17531-10	54-17531-10	54-17531-10	54-17531-24
81	Stk	Filter Drier	N/A	N/A	N/A	N/A	83-22755-06	N/A	N/A
CONDENSER COIL:									
75	Stk	Condenser Coil	AS-59071-01	AS-59071-01	AS-59073-01	AS-58961-01	AS-58964-01	AS-58964-01	AS-59290-01

No.	Notes	MODEL TECHNICAL VARIATION COOLING CAPACITY	RLKA- A 100	RLKA- A 120					
COIL GROUP									
EVAPORATOR COIL:									
69	Stk	Evaporator Coil - (Includes the Metering Devices and Top Air Stop)	AS-59070-16	AS-59070-16					
		Captube Assembly - Circuit #1	83-100632-17	83-100632-17					
		Captube Assembly - Circuit #2	83-100632-17	83-100632-17					
70		TXV Distributor	N/A	N/A					
71	Stk	TXV	N/A	N/A					
72		Top Air Stop	AE-58933-02	AE-58933-02					
73		Top Coil Support	AE-58941-01	AE-58941-01					
74	Stk	Drain Pan - Indoor Coil	68-23559-02	68-23559-02					
76		Filter Channels (3) (Center is two channels back to back)	AE-58934-03	AE-58934-03					
		Filter Keeper	AE-59168-01	AE-59168-01					
78		Filter - Disposable	54-17531-24	54-17531-24					
81	Stk	Filter Drier	N/A	N/A					
CONDENSER COIL:									
75	Stk	Condenser Coil	AS-59290-01	AS-59290-01					

No.	Notes	MODEL TECHNICAL VARIATION COOLING CAPACITY ELECTRICAL DESIGNATION	RLKA- A 036 J	RLKA- A 042 J	RLKA- A 048 J	RLKA- A 060 J			
COMPRESSOR GROUP									
		Compressor ID:	5660	5664	5668	5672			
79	Stk	Compressor	55-23139-62S	55-23139-25S	55-23139-37S	55-23139-33S			
33A	Stk	Dual Run Capacitor - Round	43-23204-17	43-23204-19	43-23204-19	43-23204-29			
		Compressor ID:	5249	5253	5257	5261			
79	Stk	Compressor	55-21737-62	55-21737-25S	55-21737-37S	55-21737-33S			
33A	Stk	Dual Run Capacitor - Round	43-23204-17	43-23204-19	43-23204-19	43-23204-29			
	Stk	Time Delay Relay	42-22756-01	42-22756-01	42-22756-01	42-22756-01			
		Compressor ID:		6878	6856				
79	Stk	Compressor		55-23140-31S	55-23140-77				
33A	Stk	Dual Run Capacitor - Round		43-23204-10	43-23204-19				

No.	Notes	MODEL TECHNICAL VARIATION COOLING CAPACITY ELECTRICAL DESIGNATION	RLKA- A 036 C	RLKA- A 042 C	RLKA- A 048 C	RLKA- A 060 C	RLKA- A 072 C	RLKA- A 073 C	RLKA- A 085 C
COMPRESSOR GROUP									
		Compressor ID:	5661	5665	5669	5673	5265	6599	6225
79	Stk	Compressor	55-23139-63S (1)	55-23139-26S (1)	55-23139-38S (1)	55-23139-34S (1)	55-23141-43S (1)	55-23141-43S (1)	55-23139-71S (2)
		Compressor ID:	5250	5254	5258	5262			6222
79	Stk	Compressor	55-21737-63S (1)	55-21737-26S (1)	55-21737-38S (1)	55-21737-34S (1)			55-21737-71 (2)
		Compressor ID:		6876	6852				
79	Stk	Compressor		55-23139-71S (1)	55-23140-74 (1)				

No.	Notes	MODEL TECHNICAL VARIATION COOLING CAPACITY ELECTRICAL DESIGNATION	RLKA- A 036 D	RLKA- A 042 D	RLKA- A 048 D	RLKA- A 060 D	RLKA- A 072 D	RLKA- A 073 D	RLKA- A 085 D
COMPRESSOR GROUP									
		Compressor ID:	5662	5666	5670	5674	5266	6600	6226
79	Stk	Compressor	55-23139-64S (1)	55-23139-27S (1)	55-23139-39S (1)	55-23139-35S (1)	55-23141-44S (1)	55-23141-44S (1)	55-23139-72S (2)
		Compressor ID:	5251	5255	5259	5263			6223
79	Stk	Compressor	55-21737-64S (1)	55-21737-27S (1)	55-21737-39S (1)	55-21737-35S (1)			55-21737-72 (2)
		Compressor ID:		6877	6854				
79	Stk	Compressor		55-23139-72S (1)	55-23140-75 (1)				

No.	Notes	MODEL TECHNICAL VARIATION COOLING CAPACITY ELECTRICAL DESIGNATION	RLKA- A 036 N	RLKA- A 042 N	RLKA- A 048 N	RLKA- A 060 N	RLKA- A 072 N	RLKA- A 073 N	RLKA- A 085 N
COMPRESSOR GROUP									
		Compressor ID:	5842	5846	5850	5854	5856	6603	6251
79	Stk	Compressor	55-23139-64S (1)	55-23139-27S (1)	55-23139-39S (1)	55-23139-35S (1)	55-23141-44S (1)	55-23141-44S (1)	55-23139-72S (2)
		Compressor ID:	5841	5845	5849	5853			6249
79	Stk	Compressor	55-21737-64S (1)	55-21737-27S (1)	55-21737-39S (1)	55-21737-35S (1)			55-21737-72 (2)
		Compressor ID:			6858				8447
79	Stk	Compressor			55-23140-75 (1)				55-102045-79S (2)
		Compressor ID:							8994
79	Stk	Compressor							55-102045-113 (2)

No.	Notes	MODEL TECHNICAL VARIATION COOLING CAPACITY ELECTRICAL DESIGN.	RLKA- A 036 P	RLKA- A 048 P	RLKA- A 060 P	RLKA- A 072 P	RLKA- A 073 P	RLKA- A 085 P	
COMPRESSOR GROUP									
		Compressor ID:	5840	5848	5852	5855	6602	6250	
79	Stk	Compressor	55-23139-63S (1)	55-23139-38S (1)	55-23139-34S (1)	55-23141-43S (1)	55-23141-43S (1)	55-23139-71S (2)	
		Compressor ID:	5839	5847	5851			6248	
79	Stk	Compressor	55-21737-63S (1)	55-21737-38S (1)	55-21737-34S (1)			55-21737-71 (2)	
		Compressor ID:		6860					
79	Stk	Compressor		55-23140-74 (1)					

No.	Notes	MODEL TECHNICAL VARIATION COOLING CAPACITY ELECTRICAL DESIGNATION	RLKA- A 036 Y	RLKA- A 042 Y	RLKA- A 048 Y	RLKA- A 060 Y	RLKA- A 072 Y	RLKA- A 073 Y	RLKA- A 085 Y
COMPRESSOR GROUP									
		Compressor ID:	5663	5667	5671	5675	5267	6601	6227
79	Stk	Compressor	55-23139-65S	55-23139-28S	55-23139-40S	55-23139-36S	55-23141-45S	55-23141-45S	55-23139-82S
		Compressor ID:	5252	5256	5260	5264			6224
79	Stk	Compressor	55-21737-65S	55-21737-28S	55-21737-40S	55-21737-36S			55-21737-82S
		Compressor ID:		6881	6862				
79	Stk	Compressor		55-23139-82S	55-23140-76				

No.	Notes	MODEL TECHNICAL VARIATION COOLING CAPACITY ELECTRICAL DESIGNATION	RLKA- A 100 C	RLKA- A 100 N	RLKA- A 100 P	RLKA- A 120 N	RLKA- A 120 P		
COMPRESSOR GROUP									
		Compressor I.D.	6456	6459	6458	6802	6803		
79	Stk	Compressor	55-23139-30S (2)	55-23139-31S (2)	55-23139-30S (2)	55-23141-72S (2)	55-23141-73S (2)		
		Compressor I.D.		8995		6461	6460		
79	Stk	Compressor		55-23139-90 (2)		55-23140-72 (2)	55-23140-73 (2)		
		Compressor I.D.				8996			
79	Stk	Compressor				55-23141-89 (2)			

No.	Notes	MODEL	RLKA-	RLKA-	RLKA-	RLKA-	RLKA-	RLKA-	RLKA-
		TECHNICAL VARIATION	A	A	A	A	A	A	A
		ELECTRICAL DESIGNATION	J	J	J	J	J	J	J
		ELECTRIC HEAT	000	006	010	011	012	015	020
HEATER KITS									
		Heater Kit	N/A	RXJJ-A06J	RXJJ-A10J	RXJJ-A11J	RXJJ-A12J	RXJJ-A15J	RXJJ-A20J

No.	Notes	MODEL	RLKA-	RLKA-	RLKA-	RLKA-	RLKA-	RLKA-	RLKA-
		TECHNICAL VARIATION	A	A	A	A	A	A	A
		ELECTRICAL DESIGNATION	J	C/P	C/P	C/P	C/P	C/P	C/P
		ELECTRIC HEAT	021	000	006	010	011	012	015
HEATER KITS									
		Heater Kit	RXJJ-A21J	N/A	RXJJ-A06C	RXJJ-A10C	RXJJ-A11C	RXJJ-A12C	RXJJ-A15C

No.	Notes	MODEL	RLKA-	RLKA-	RLKA-	RLKA-	RLKA-	RLKA-	RLKA-
		TECHNICAL VARIATION	A	A	A	A	A	A	A
		ELECTRICAL DESIGNATION	C/P	C/P	C/P	D/N	D/N	D/N	D/N
		ELECTRIC HEAT	020	021	024	000	006	009	010
HEATER KITS									
		Heater Kit	RXJJ-A20C	RXJJ-A21C	RXJJ-A24C	N/A	RXJJ-A06D	RXJJ-A09D	RXJJ-A10D

No.	Notes	MODEL	RLKA-	RLKA-	RLKA-	RLKA-	RLKA-	RLKA-	
		TECHNICAL VARIATION	A	A	A	A	A	A	
		ELECTRICAL DESIGNATION	D/N	D/N	D/N	D/N	D/N	D/N	
		ELECTRIC HEAT	011	012	015	020	021	024	
HEATER KITS									
		Heater Kit	RXJJ-A11D	RXJJ-A12D	RXJJ-A15D	RXJJ-A20D	RXJJ-A21D	RXJJ-A24D	

No.	Notes	MODEL	RLKA-	RLKA-	RLKA-	RLKA-			
		TECHNICAL VARIATION	A	A	A	A			
		ELECTRICAL DESIGNATION	Y	Y	Y	Y			
		ELECTRIC HEAT	000	015	020	024			
HEATER KITS									
		Heater Kit	N/A	RXJJ-A15Y	RXJJ-A20Y	RXJJ-A24Y			

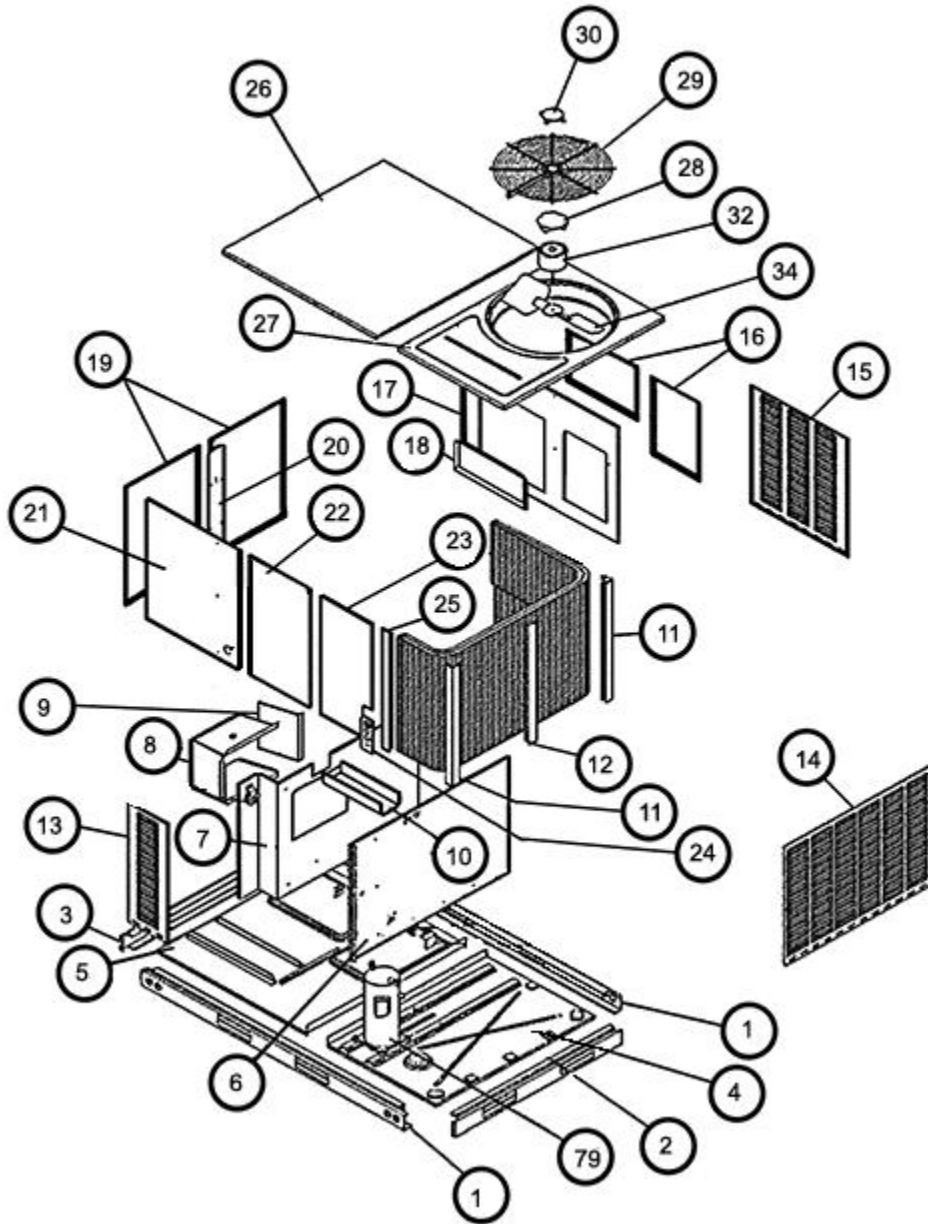
No.	Notes	MODEL TECHNICAL VARIATION COOLING CAPACITY	RLKA- A 036-085	RLKA- A 100-120
ECONOMIZERS				
		Economizer - Outdoor Air Sensor Field Install	RXRD-EECM2	RXRD-EECM2
		Economizer - Single Enthalpy Field	RXRD-EECM3	RXRD-EECM3
		Economizer - Dual Enthalpy	RXRD-EECM4	RXRD-EECM4

No.	Notes	MODEL TECHNICAL VARIATION COOLING CAPACITY	RLKA- A 036-085	RLKA- A 100-120
ECONOMIZERS				
		Economizer - Horizontal 3 Position	RXRE-CCA30	
		Economizer - Horizontal Modulating	RXRD-CCM10	
		Economizer - 3 Position	RXRE-CBA20	
		Economizers - Fully Modulating Enthalpy -Downflow	RXRD-CBM10	
		Fresh Air Damper - Fixed	RXRF-FBA1	RXRF-FCA1
		Fresh Air Damper - 0-35%	RXRF-FBB1	RXRF-FCB1
		Modulating Economizer - Downflow With Power Exhaust (Voltage: J/C/D/N/P/Y)	RXRD-DB_M2	

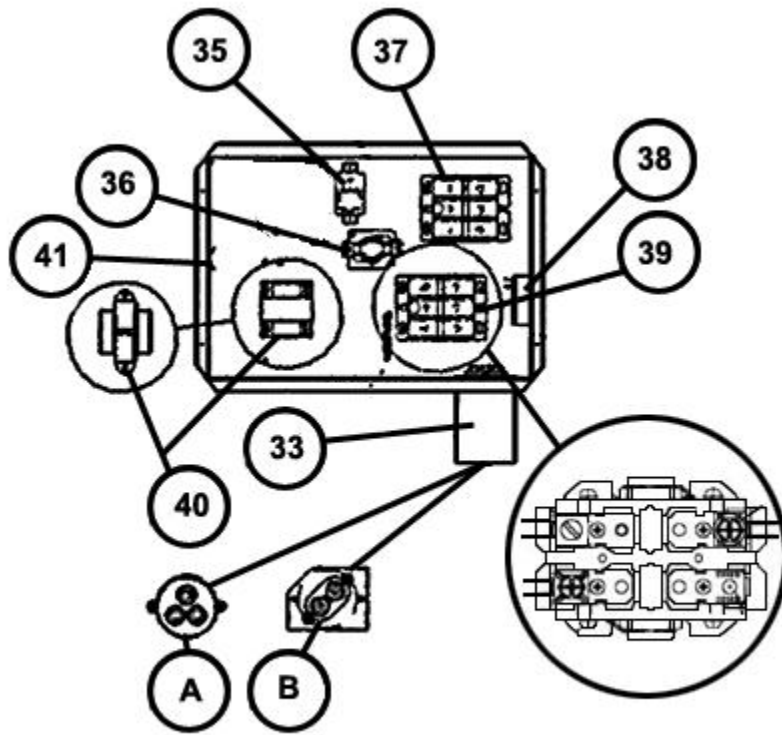
No.	Notes	MODEL TECHNICAL VARIATION COOLING CAPACITY	RLKA- A 036-085	RLKA- A 100-120
POWER EXHAUST				
		Power Exhaust - C Voltage	RXRX-BFF02C	
		Power Exhaust - D Voltage	RXRX-BFF02D	
		Power Exhaust - P Voltage	RXRX-BFF02P	RXRX-BFF03P
		Power Exhaust - N Voltage	RXRX-BFF02N	RXRX-BFF03N
		Power Exhaust - Y Voltage	RXRX-BFF02Y	

No.	Notes	MODEL TECHNICAL VARIATION COOLING CAPACITY	RLKA- A 036-042	RLKA- A 048-120
OPTIONS AND ACCESSORIES KITS				
		Louver Panel Kit (Options 629) - 2 sides	RXRX-AAD01A	
		Louver Panel Kit (Options 597, 629) - 3 sides		RXRX-AAD01B

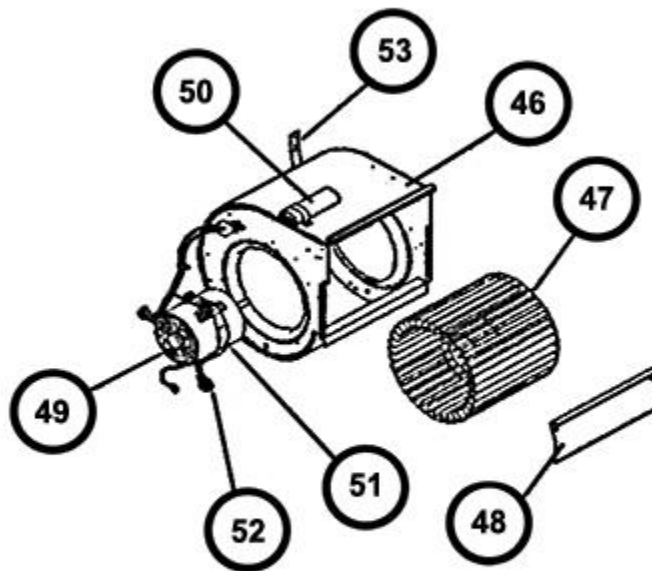
No.	Notes	MODEL TECHNICAL VARIATION COOLING CAPACITY	RLKA- A 036-072	RLKA- A 100-120
OPTIONS AND ACCESSORIES CONTROLS				
		Low Ambient Control Kit	RXRZ-A18	RXRZ-A85
		CO2 Sensor	RXRX-AJ01	RXRX-AJ01
		Time Delay Control Kit	RXMD-B01	RXMD-A04
		Low Pressure Control Kit	RXAC-A02	RXAC-A05
		High Pressure Control Kit	RXAB-A02	RXAB-A05
		Fully Modulating Differential Kit	RXRD-CBD10	



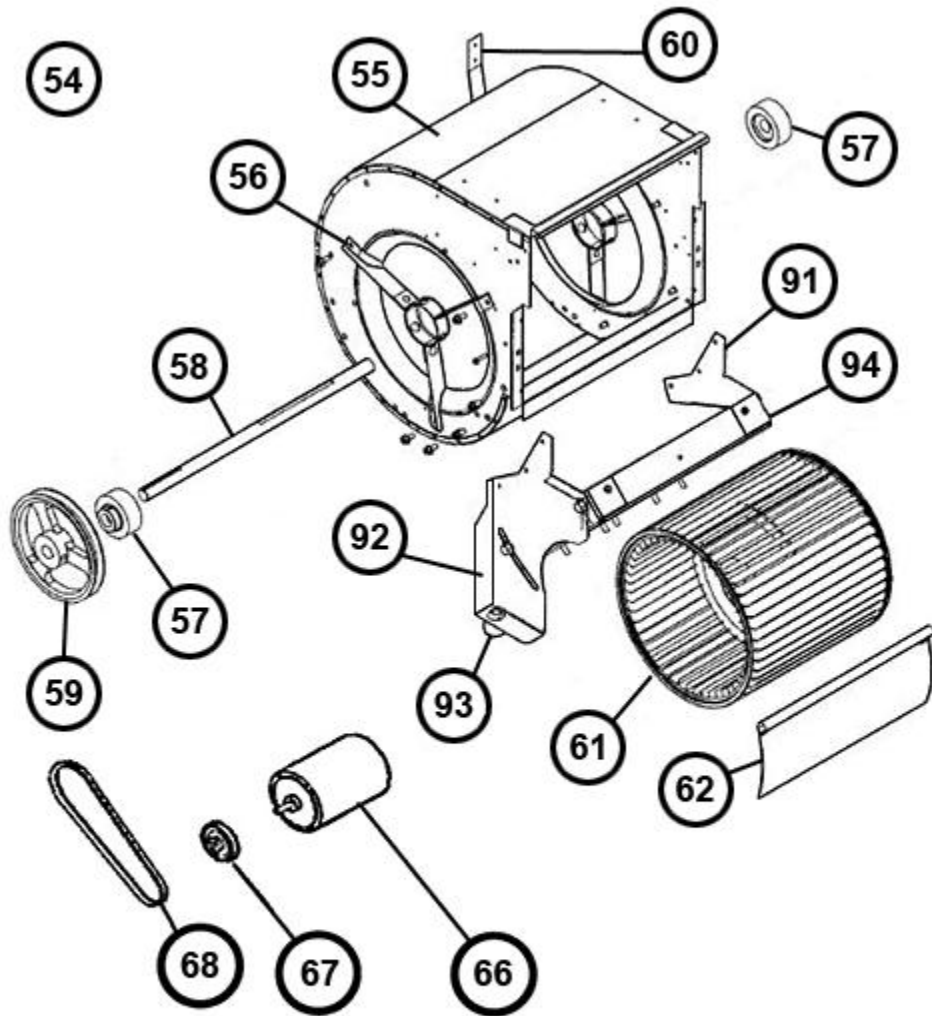
Exploded View



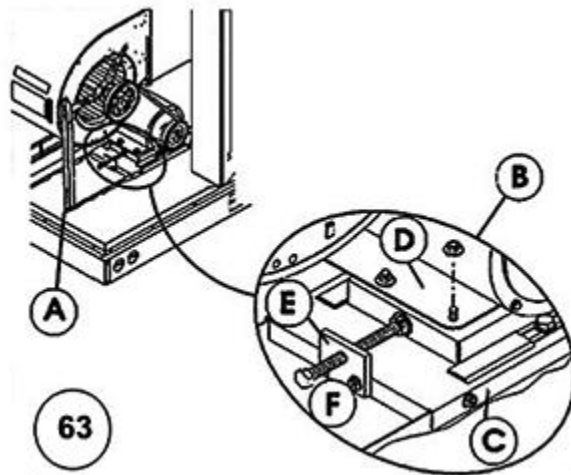
Control Box



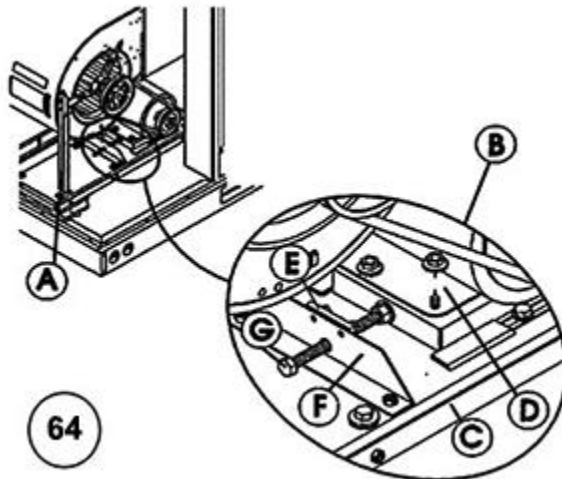
Blower Assembly - Direct Drive



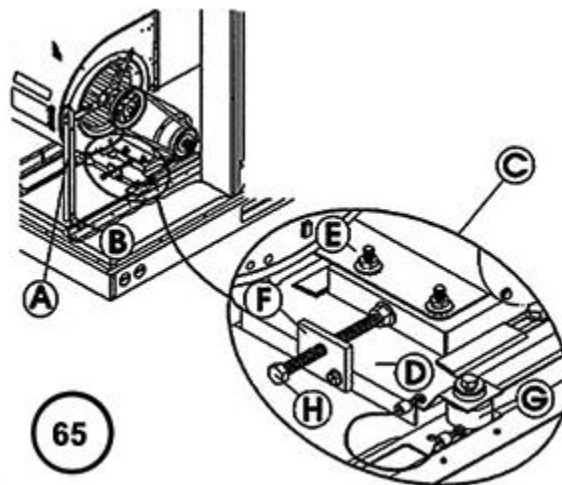
Blower Assembly - Belt Drive



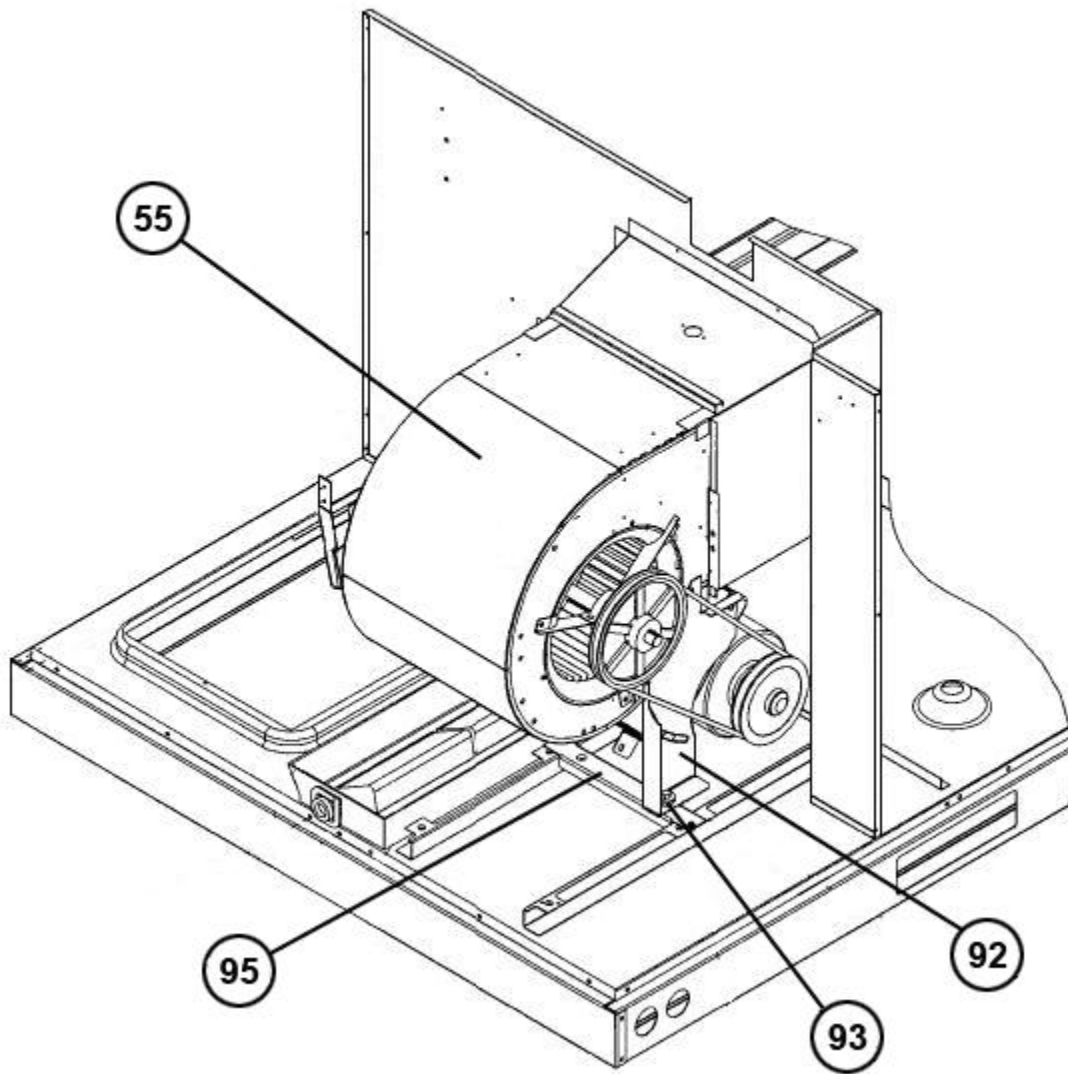
Blower Mounting - Date Code F4897 or Before



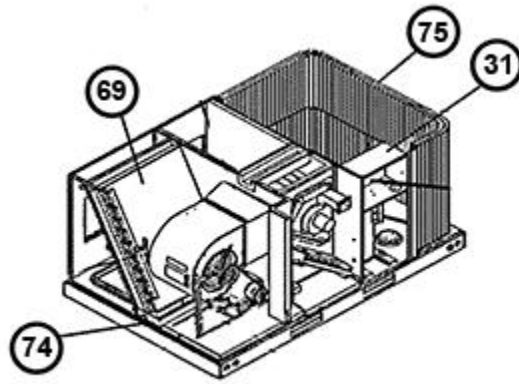
Blower Mounting - Date Codes F4897 - F4298



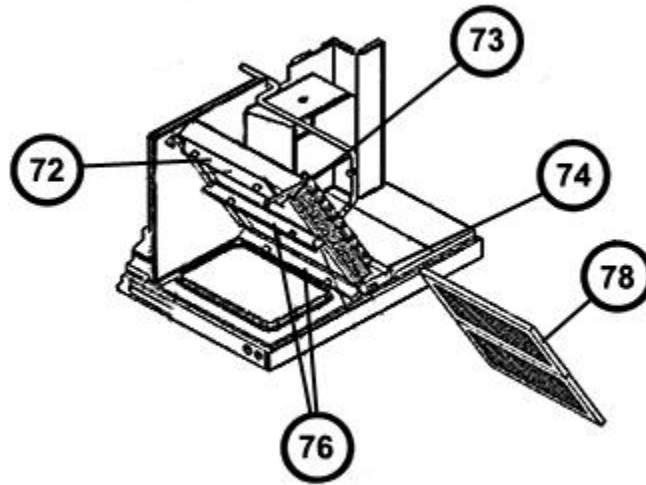
Blower Mounting - Date Codes F4298 - F2004



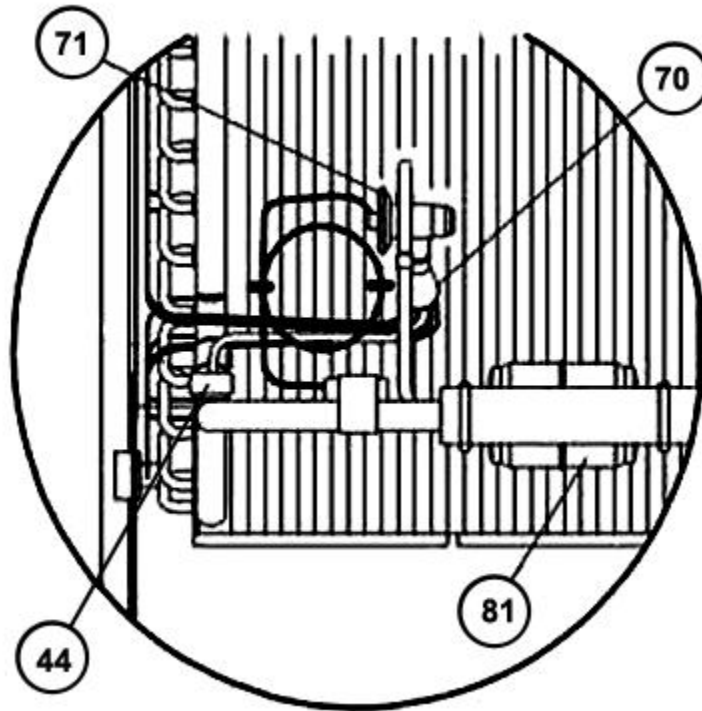
Blower Mounting - Date Code F2004 or After



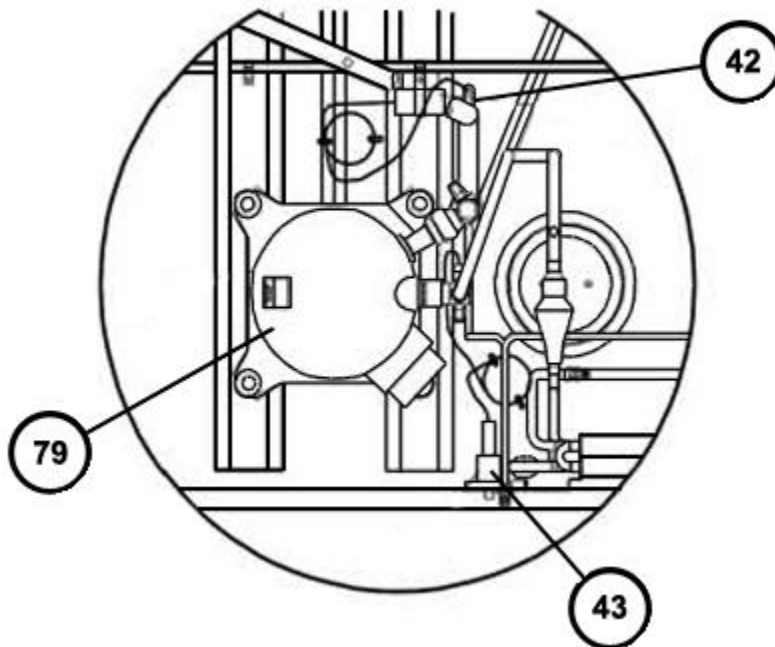
Coil Group Cut-away View



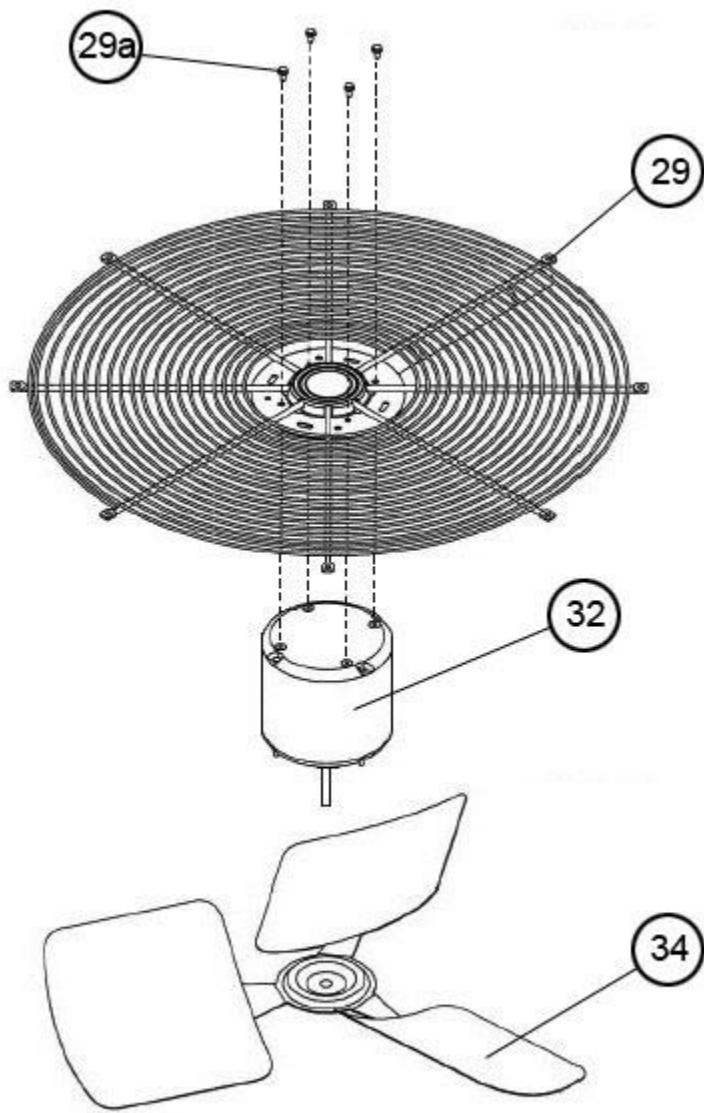
Evaporator Coil - Filter Parts



Freeze Stat Control



Compressor - Refrigeration Group



Grille Assembly (-085N) - See Note 1

NOTES

Stk It is recommended that stock be maintained for this part.

N/A Not Applicable

- 1 On or about 01/29/17 (Date Code F0517), the fan motor mounting was changed to a direct mount to the bottom of the grille with 4 self-tapping screws (63-100404-01) for the -A085N variants.

DISCLAIMER: This document is intended to provide general replacement parts information to aid qualified service personnel in the repair of these models. The complete Model and Serial Number of the unit under repair should be specified when selecting and ordering replacement parts. Specifications and illustrations are subject to change without notice. Document 92-42800-RLKA supersedes all previous parts lists for these models. See <http://www.rheempartslists.net/92-42800-RLKA> for the latest revision of this document. The manufacturer assumes no obligation for errors or omissions. Service personnel must verify the proper and safe operation of equipment after the replacement of any original components.