



RAKA

Parts List
28-May-2014



*This parts list is current as of the above revision date.
See <http://www.rheempartslists.net/92-42800-RAKA.pdf> for the current revision.*

Condensing Units

Table of Contents

| | |
|--------------------------------|---------|
| Model Explanation | Page 3 |
| Parts Numbers | |
| Panels - Miscellaneous | Page 4 |
| Electrical Group | Page 5 |
| Fan Group | Page 6 |
| Coil Parts 018-042 | Page 7 |
| Coil Parts 048-060 | Page 8 |
| Compressor Group 018-030 | Page 9 |
| Compressor Group 036-042 | Page 10 |
| Compressor Group 048-060 | Page 11 |
| Accessories | Page 12 |
| Drawings/Photographs | |
| Exploded View | Page 13 |
| Control Box Assembly | Page 14 |
| Notes/Disclaimer | Page 15 |

MODEL NUMBER EXPLANATION

| | | | | | | | | | | |
|----------|----------|----------|----------|----------|----------|----------|----------|----------|----------|----------|
| R | A | K | A | - | 0 | 2 | 4 | J | A | Z |
| (1) | (2) | (3) | (4) | | (5) | | | (6) | (7) | (8) |

(1) TRADEBRAND IDENTIFICATION

(2) MODEL
A = Condensing Unit

(3) TYPE

(4) DESIGN SERIES / VARIATION

(5) COOLING CAPACITY
018 = 18,000 BTU/HR
024 = 24,000 BTU/HR
030 = 30,000 BTU/HR
036 = 36,000 BTU/HR
037 = 36,000 BTU/HR
042 = 42,000 BTU/HR
048 = 48,000 BTU/HR
060 = 60,000 BTU/HR

(6) ELECTRICAL DESIGNATION

J = 208-230/1/60
C = 208-230/3/60
D = 460/3/60
Y = 575/3/60
T = 220-240/1/50
N = 380-415/3/50

(7) VARIATIONS
A = Standard Model

(8) COMPRESSOR
Z = Scroll w/Sweat Connections
S = Reciprocating w/Sweat Connection

SERIAL NUMBER EXPLANATION

| | | | | | | | | | | | | | |
|----------|----------|----------|----------|----------|----------|----------|----------|----------|----------|----------|----------|----------|----------|
| 6 | 7 | 6 | 1 | M | 0 | 7 | 0 | 1 | 9 | 9 | 9 | 9 | 9 |
| (1) | | (2) | (3) | (4) | (5) | | | | | | | | |

(1) COMPRESSOR IDENTIFICATION NUMBER

(2) PRODUCTION LOCATION
F = Ft. Smith, AR
M = Milledgeville, GA

(3) WEEK OF PRODUCTION

(4) YEAR OF PRODUCTION

(5) PRODUCTION NUMBER

| No. | Notes | MODEL COOLING CAPACITY | RAKA 018 | RAKA 024 | RAKA 030 | RAKA 036 |
|---|-------|--|----------------|-------------|-------------|-------------|
| SHEET METAL PARTS, MISCELLANEOUS | | | | | | |
| 1 | | Base Pan | AE-58426-01 | AE-58426-01 | AE-58426-01 | AE-58426-02 |
| 2 | | Cabinet | AE-58428-01 | AE-58428-01 | AE-58428-02 | AE-58428-04 |
| 3 | | Grille | AS-58470-01 | AS-58470-01 | AS-58470-01 | AS-58470-02 |
| 4 | | Venturi | AE-58427-01 | AE-58427-02 | AE-58427-03 | AE-58427-06 |
| 5 | | Access Panel | AE-58431-01 | AE-58431-01 | AE-58431-02 | AE-58431-04 |
| 6 | | Control Box (w/o components) | AE-58432-01 | AE-58432-01 | AE-58432-01 | AE-58432-01 |
| 9 | | Service Valve - Liquid | See Coil Group | | | |
| 10 | | Service Valve - Suction | See Coil Group | | | |
| | | Capacitor Adaptor Plate (2 in. round capacitor) | AE-54609-01 | AE-54609-01 | AE-54609-01 | AE-54609-01 |
| | | Capacitor Adaptor Plate (2 in. X 1-1/4 in. oval capacitor) | AE-54609-02 | AE-54609-02 | AE-54609-02 | AE-54609-02 |
| | | Touch-up Paint (Aerosol) | 52-18662-48 | 52-18662-48 | 52-18662-48 | 52-18662-48 |
| | | Touch-up Paint (Paint Pens) | 523010 | 523010 | 523010 | 523010 |

| No. | Notes | MODEL COOLING CAPACITY | RAKA 037 | RAKA 042 | RAKA 048 | RAKA 060 |
|---|-------|--|----------------|-------------|-------------|-------------|
| SHEET METAL PARTS, MISCELLANEOUS | | | | | | |
| 1 | | Base Pan | AE-58426-02 | AE-58426-02 | AE-58426-03 | AE-58426-03 |
| 2 | | Cabinet | AE-58428-04 | AE-58428-04 | AE-58428-06 | AE-58428-06 |
| 3 | | Grille | AS-58470-02 | AS-58470-02 | AS-58470-03 | AS-58470-03 |
| 4 | | Venturi | AE-58427-06 | AE-58427-06 | AE-58427-09 | AE-58427-09 |
| 5 | | Access Panel | AE-58431-04 | AE-58431-04 | AE-58431-06 | AE-58431-06 |
| 6 | | Control Box (w/o components) | AE-58432-01 | AE-58432-01 | AE-58432-01 | AE-58432-01 |
| 9 | | Service Valve - Liquid | See Coil Group | | | |
| 10 | | Service Valve - Suction | See Coil Group | | | |
| | | Capacitor Adaptor Plate (2 in. round capacitor) | AE-54609-01 | AE-54609-01 | AE-54609-01 | AE-54609-01 |
| | | Capacitor Adaptor Plate (2 in. X 1-1/4 in. oval capacitor) | AE-54609-02 | AE-54609-02 | AE-54609-02 | AE-54609-02 |
| | | Touch-up Paint (Aerosol) | 52-18662-48 | 52-18662-48 | 52-18662-48 | 52-18662-48 |
| | | Touch-up Paint (Paint Pens) | 523010 | 523010 | 523010 | 523010 |

| No. | Notes | MODEL COOLING CAPACITY ELECTRICAL DESIGNATION | RAKA 018 JAS/JAZ | RAKA 024 JAS/JAZ | RAKA 030 JAS/JAZ | RAKA 036 JAS/JAZ | RAKA 037 JAZ | RAKA 042 JAS/JAZ | |
|-----------------------|-------|---|------------------------|------------------------|------------------------|------------------------|--------------------|------------------------|--|
| ELECTRIC GROUP | | | | | | | | | |
| 15 | Stk | Contactora | 42-42728-02 | 42-42728-02 | 42-42728-02 | 42-42728-02 | 42-42728-02 | 42-20044-02 | |
| 16 | | Capacitor - Fan Motor/Compressor | See Compressor Group | | | | | | |
| 17 | | Time Delay Relay | See Compressor Group | | | | | | |

| No. | Notes | MODEL COOLING CAPACITY ELECTRICAL DESIGNATION | RAKA 048 JAS | RAKA 048 JAZ | RAKA 060 JAS/JAZ | | | | |
|-----------------------|-------|---|----------------------|--------------------|------------------------|--|--|--|--|
| ELECTRIC GROUP | | | | | | | | | |
| 15 | Stk | Contactora | 42-20044-02 | 42-20044-01 | 42-42478-02 | | | | |
| 16 | | Capacitor - Fan Motor/Compressor | See Compressor Group | | | | | | |
| 17 | | Time Delay Relay | See Compressor Group | | | | | | |

| No. | Notes | MODEL COOLING CAPACITY ELECTRICAL DESIGNATION | RAKA 018 TAS | RAKA 024 TAS | RAKA 030 TAS | RAKA 036 TAS | RAKA 042 TAS | RAKA 048 TAS | |
|-----------------------|-------|---|----------------------|--------------------|--------------------|--------------------|--------------------|--------------------|--|
| ELECTRIC GROUP | | | | | | | | | |
| 15 | Stk | Contactora | 42-42728-02 | 42-42728-02 | 42-42728-02 | 42-42728-02 | 42-20044-02 | 42-20044-02 | |
| 16 | | Capacitor - Fan Motor/Compressor | See Compressor Group | | | | | | |
| 17 | | Time Delay Relay | See Compressor Group | | | | | | |

| No. | Notes | MODEL COOLING CAPACITY ELECTRICAL DESIGNATION | RAKA 036 CAS | RAKA 037 CAZ | RAKA 042 CAS/CAZ | RAKA 048 CAS/CAZ | RAKA 060 CAS | RAKA 060 CAZ | |
|-----------------------|-------|---|----------------------|--------------------|------------------------|------------------------|--------------------|--------------------|--|
| ELECTRIC GROUP | | | | | | | | | |
| 15 | Stk | Contactora | 42-22464-01 | 42-22464-01 | 42-22464-01 | 42-22464-01 | 42-22464-01 | 42-22464-01 | |
| 16 | | Capacitor - Fan Motor | See Fan Group | | | | | | |
| 17 | | Time Delay Relay | See Compressor Group | | | | | | |

| No. | Notes | MODEL COOLING CAPACITY ELECTRICAL DESIGNATION | RAKA 036 DAS | RAKA 037 DAZ | RAKA 042 DAS/DAZ | RAKA 048 DAS/DAZ | RAKA 060 DAS/DAZ | | |
|-----------------------|-------|---|----------------------|--------------------|------------------------|------------------------|------------------------|--|--|
| ELECTRIC GROUP | | | | | | | | | |
| 15 | Stk | Contactora | 42-22464-01 | 42-22464-01 | 42-22464-01 | 42-22464-01 | 42-22464-01 | | |
| 16 | | Capacitor - Fan Motor | See Fan Group | | | | | | |
| 17 | | Time Delay Relay | See Compressor Group | | | | | | |

| No. | Notes | MODEL COOLING CAPACITY ELECTRICAL DESIGNATION | RAKA 036 NAS | RAKA 042 NAS | RAKA 048 NAS | RAKA 060 NAS | | | |
|-----------------------|-------|---|----------------------|--------------------|--------------------|--------------------|--|--|--|
| ELECTRIC GROUP | | | | | | | | | |
| 15 | Stk | Contactora | 42-22464-01 | 42-22464-01 | 42-22464-01 | 42-22464-01 | | | |
| 16 | | Capacitor - Fan Motor | See Fan Group | | | | | | |
| 17 | | Time Delay Relay | See Compressor Group | | | | | | |

| No. | Notes | MODEL COOLING CAPACITY ELECTRICAL DESIGNATION | RAKA 048 YAS | RAKA 060 YAS | | | | | |
|-----------------------|-------|---|----------------------|--------------------|--|--|--|--|--|
| ELECTRIC GROUP | | | | | | | | | |
| 15 | Stk | Contactora | 42-22464-01 | 42-22464-01 | | | | | |
| 16 | | Capacitor - Fan Motor | See Fan Group | | | | | | |
| 17 | | Time Delay Relay | See Compressor Group | | | | | | |

| No. | Notes | MODEL COOLING CAPACITY ELECTRICAL DESIGNATION | RAKA 018 JAS/JAZ | RAKA 024 JAS/JAZ | RAKA 030 JAS/JAZ | RAKA 036 JAS/JAZ | RAKA 037 JAZ | RAKA 042 JAS/JAZ | |
|------------------|-------|---|------------------------|------------------------|------------------------|------------------------|--------------------|------------------------|--|
| FAN GROUP | | | | | | | | | |
| 8 | Stk | Fan Motor | 51-21854-01 | 51-21854-01 | 51-21854-01 | 51-21854-02 | 51-21854-02 | 51-21854-02 | |
| 16 | | Capacitor - Compressor/Fan Motor | See Compressor Group | | | | | | |
| 7 | Stk | Fan Blade | 70-21858-12 | 70-21858-12 | 70-21858-12 | 70-21858-06 | 70-21858-06 | 70-21858-06 | |

| No. | Notes | MODEL COOLING CAPACITY ELECTRICAL DESIGNATION | RAKA 048 JAS/JAZ | RAKA 060 JAS/JAZ | | | | | |
|------------------|-------|---|------------------------|------------------------|--|--|--|--|--|
| FAN GROUP | | | | | | | | | |
| 8 | Stk | Fan Motor | 51-21853-11 | 51-21853-11 | | | | | |
| 16 | | Capacitor - Compressor/Fan Motor | See Compressor Group | | | | | | |
| 7 | Stk | Fan Blade | 70-26166-01 | 70-26166-01 | | | | | |

| No. | Notes | MODEL COOLING CAPACITY ELECTRICAL DESIGNATION | RAKA 018 TAS | RAKA 024 TAS | RAKA 030 TAS | RAKA 036 TAS | RAKA 042 TAS | RAKA 048 TAS | |
|------------------|-------|---|----------------------|--------------------|--------------------|--------------------|--------------------|--------------------|--|
| FAN GROUP | | | | | | | | | |
| 8 | Stk | Fan Motor | 51-21854-07 | 51-21854-01 | 51-21854-01 | 51-21854-08 | 51-21854-08 | 51-21854-09 | |
| 16 | | Capacitor - Compressor/Fan Motor | See Compressor Group | | | | | | |
| 7 | Stk | Fan Blade | 70-21858-12 | 70-21858-12 | 70-21858-12 | 70-21858-06 | 70-21858-06 | 70-26166-01 | |

| No. | Notes | MODEL COOLING CAPACITY ELECTRICAL DESIGNATION | RAKA 036 CAS | RAKA 037 CAZ | RAKA 042 CAS/CAZ | RAKA 048 CAS/CAZ | RAKA 060 CAS/CAZ | |
|------------------|-------|---|--------------------|--------------------|------------------------|------------------------|------------------------|--|
| FAN GROUP | | | | | | | | |
| 8 | Stk | Fan Motor | 51-21854-02 | 51-21854-02 | 51-21854-02 | 51-21853-11 | 51-21853-11 | |
| 16 | Stk | Capacitor - Fan Motor | 43-100496-02 | 43-100496-02 | 43-100496-02 | 43-100496-04 | 43-100496-04 | |
| 7 | Stk | Fan Blade | 70-21858-06 | 70-21858-06 | 70-21858-06 | 70-26166-01 | 70-26166-01 | |

| No. | Notes | MODEL COOLING CAPACITY ELECTRICAL DESIGNATION | RAKA 036 DAS | RAKA 037 DAZ | RAKA 042 DAS/DAZ | RAKA 048 DAS/DAZ | RAKA 060 DAS/DAZ | |
|------------------|-------|---|--------------------|--------------------|------------------------|------------------------|------------------------|--|
| FAN GROUP | | | | | | | | |
| 8 | Stk | Fan Motor | 51-21854-05 | 51-21853-05 | 51-21853-05 | 51-21853-04 | 51-21853-04 | |
| 16 | Stk | Capacitor - Fan Motor | 43-100496-02 | 43-100496-02 | 43-100496-02 | 43-100496-04 | 43-100496-04 | |
| 7 | Stk | Fan Blade | 70-21858-06 | 70-21858-06 | 70-21858-06 | 70-26166-01 | 70-26166-01 | |

| No. | Notes | MODEL COOLING CAPACITY ELECTRICAL DESIGNATION | RAKA 036 NAS | RAKA 042 NAS | RAKA 048 NAS | RAKA 060 NAS | | |
|------------------|-------|---|--------------------|--------------------|--------------------|--------------------|--|--|
| FAN GROUP | | | | | | | | |
| 8 | Stk | Fan Motor | 51-21845-01 | 51-21845-01 | 51-21853-04 | 51-21853-04 | | |
| 16 | Stk | Capacitor - Fan Motor | 43-100496-02 | 43-100496-02 | 43-100496-04 | 43-100496-04 | | |
| 7 | Stk | Fan Blade | 70-21858-06 | 70-21858-06 | 70-26166-01 | 70-26166-01 | | |

| No. | Notes | MODEL COOLING CAPACITY ELECTRICAL DESIGNATION | RAKA 048 YAS | RAKA 060 YAS | | | | |
|------------------|-------|---|--------------------|--------------------|--|--|--|--|
| FAN GROUP | | | | | | | | |
| 8 | Stk | Fan Motor | 51-21569-01 | 51-21569-01 | | | | |
| 16 | Stk | Capacitor - Fan Motor | 43-100496-04 | 43-100496-04 | | | | |
| 7 | Stk | Fan Blade | 70-26166-01 | 70-26166-01 | | | | |

| No. | Notes | MODEL COOLING CAPACITY ELECTRICAL DESIGNATION | RAKA 018 JAS | RAKA 018 JAZ | RAKA 024 JAS | RAKA 024 JAZ | RAKA 030 JAS | RAKA 030 JAZ |
|-------------------|-------|---|--------------------|-----------------------------|--------------------|--------------------|--------------------|--------------------|
| COIL GROUP | | | | | | | | |
| 9 | | Service Valve - Liquid | 61-101160-13 | 61-101160-13 | 61-101160-13 | 61-101160-13 | 61-101160-13 | 61-101160-13 |
| 10 | 2 | Service Valve - Suction | 61-21368-14 | 61-21368-14 (See Note 2) | 61-21368-15 | 61-21368-15 | 61-21368-15 | 61-21368-15 |
| 11 | Stk | High Pressure Control | N/A | 47-21604-03 | 47-21604-03 | 47-21604-03 | N/A | 47-21604-03 |
| | Stk | Low Pressure Control | N/A | 47-100543-01 | N/A | 47-100543-01 | N/A | 47-100543-01 |
| 14 | Stk | Condenser Coil | AS-59179-03 | AS-59179-03 | AS-58434-03 | AS-58434-03 | AS-59180-03 | AS-59180-03 |
| | | Piston - Flowcheck | N/A | 61-23414-53 | N/A | N/A | N/A | N/A |
| | Stk | Filter Drier | 83-22755-03 | 83-22755-03 | 83-22755-03 | 83-22755-03 | 83-22755-03 | 83-22755-03 |

| No. | Notes | MODEL COOLING CAPACITY ELECTRICAL DESIGNATION | RAKA 036 JAS | RAKA 036 JAZ | RAKA 037 JAZ | RAKA 042 JAS | RAKA 042 JAZ | |
|-------------------|-------|---|--------------------|--------------------|--------------------|--------------------|--------------------|--|
| COIL GROUP | | | | | | | | |
| 9 | | Service Valve - Liquid | 61-101160-13 | 61-101160-13 | 61-101160-13 | 61-101160-13 | 61-101160-13 | |
| 10 | | Service Valve - Suction | 61-21368-15 | 61-21368-15 | 61-21368-15 | 61-21368-15 | 61-21368-15 | |
| 11 | Stk | High Pressure Control | 47-21604-03 | N/A | 47-21604-03 | N/A | 47-21604-03 | |
| | Stk | Low Pressure Control | 47-100543-01 | N/A | 47-100543-01 | N/A | 47-100543-01 | |
| 14 | Stk | Condenser Coil | AS-58871-03 | AS-58871-03 | AS-58871-03 | AS-58871-03 | AS-58871-03 | |
| | | Piston - Flowcheck | N/A | N/A | N/A | N/A | 61-23414-73 | |
| | Stk | Filter Drier | 83-22755-03 | 83-22755-03 | 83-22755-03 | 83-22755-03 | 83-22755-03 | |

| No. | Notes | MODEL COOLING CAPACITY ELECTRICAL DESIGNATION | RAKA 018 TAS | RAKA 024 TAS | RAKA 030 TAS | RAKA 036 TAS | RAKA 042 TAS | RAKA 048 TAS |
|-------------------|-------|---|--------------------|--------------------|--------------------|--------------------|--------------------|--------------------|
| COIL GROUP | | | | | | | | |
| 9 | | Service Valve - Liquid | 61-101160-13 | 61-101160-13 | 61-101160-13 | 61-101160-13 | 61-101160-13 | 61-101160-13 |
| 10 | | Service Valve - Suction | 61-21368-14 | 61-21368-15 | 61-21368-15 | 61-21368-15 | 61-21368-15 | 61-21368-16 |
| 11 | Stk | High Pressure Control | 47-21604-03 | 47-21604-03 | 47-21604-03 | 47-21604-03 | 47-21604-03 | 47-21604-03 |
| 14 | Stk | Condenser Coil | AS-59179-03 | AS-58434-03 | AS-59180-03 | AS-58871-03 | AS-58871-03 | AS-58438-03 |
| | | Piston - Flowcheck | 61-23414-53 | N/A | N/A | 61-23414-73 | 61-23414-78 | 61-23414-76 |
| | Stk | Filter Drier | 83-22755-03 | 83-22755-03 | 83-22755-03 | 83-22755-03 | 83-22755-03 | 83-22755-03 |

| No. | Notes | MODEL COOLING CAPACITY ELECTRICAL DESIGNATION | RAKA 036 CAS | RAKA 037 CAZ | RAKA 042 CAS | RAKA 042 CAZ | | |
|-------------------|-------|---|--------------------|--------------------|--------------------|--------------------|--|--|
| COIL GROUP | | | | | | | | |
| 9 | | Service Valve - Liquid | 61-101160-13 | 61-101160-13 | 61-101160-13 | 61-101160-13 | | |
| 10 | | Service Valve - Suction | 61-21368-15 | 61-21368-15 | 61-21368-15 | 61-21368-15 | | |
| 11 | Stk | High Pressure Control | 47-21604-03 | N/A | 47-21604-03 | N/A | | |
| | Stk | Low Pressure Control | 47-100543-01 | N/A | 47-100543-01 | N/A | | |
| 14 | Stk | Condenser Coil | AS-58871-03 | AS-58871-03 | AS-58871-03 | AS-58871-03 | | |
| | Stk | Filter Drier | 83-22755-03 | 83-22755-03 | 83-22755-03 | 83-22755-03 | | |
| | | Low Ambient Control | 47-25343-03 | N/A | 47-25343-03 | N/A | | |

| No. | Notes | MODEL COOLING CAPACITY ELECTRICAL DESIGNATION | RAKA 036 DAS | RAKA 037 DAZ | RAKA 042 DAS | RAKA 042 DAZ | RAKA 036 NAS | RAKA 042 NAS |
|-------------------|-------|---|--------------------|--------------------|--------------------|--------------------|--------------------|--------------------|
| COIL GROUP | | | | | | | | |
| 9 | | Service Valve - Liquid | 61-101160-13 | 61-101160-13 | 61-101160-13 | 61-101160-13 | 61-101160-13 | 61-101160-13 |
| 10 | | Service Valve - Suction | 61-21368-15 | 61-21368-15 | 61-21368-15 | 61-21368-15 | 61-21368-15 | 61-21368-15 |
| 11 | Stk | High Pressure Control | 47-21604-03 | N/A | 47-21604-03 | 47-21604-03 | 47-21604-03 | 47-21604-03 |
| | Stk | Low Pressure Control | 47-100543-01 | N/A | 47-100543-01 | 47-100543-01 | N/A | N/A |
| 14 | Stk | Condenser Coil | AS-58871-03 | AS-58871-03 | AS-58871-03 | AS-58871-03 | AS-58871-03 | AS-58871-03 |
| | | Piston - Flowcheck | N/A | N/A | N/A | 61-23414-73 | 61-23414-73 | 61-23414-73 |
| | Stk | Filter Drier | 83-22755-03 | 83-22755-03 | 83-22755-03 | 83-22755-03 | 83-22755-03 | 83-22755-03 |

| No. | Notes | MODEL COOLING CAPACITY ELECTRICAL DESIGNATION | RAKA 048 JAS | RAKA 048 JAZ | RAKA 060 JAS | RAKA 060 JAZ |
|-------------------|-------|---|--------------------|--------------------|--------------------|--------------------|
| COIL GROUP | | | | | | |
| 9 | | Service Valve - Liquid | 61-101160-13 | 61-101160-13 | 61-101160-13 | 61-101160-13 |
| 10 | | Service Valve - Suction | 61-21368-16 | 61-21368-16 | 61-21368-16 | 61-21368-16 |
| 11 | Stk | High Pressure Control | 47-21604-03 | 47-21604-03 | 47-21604-03 | 47-21604-03 |
| | Stk | Low Pressure Control | 47-100543-01 | 47-100543-01 | 47-100543-01 | 47-100543-01 |
| 14 | Stk | Condenser Coil | AS-58438-03 | AS-58438-03 | AS-58439-03 | AS-58361-03 |
| | Stk | Filter Drier | 83-22755-03 | 83-22755-03 | 83-22755-03 | 83-22755-03 |

| No. | Notes | MODEL COOLING CAPACITY ELECTRICAL DESIGNATION | RAKA 048 CAS | RAKA 048 CAZ | RAKA 060 CAS | RAKA 060 CAZ |
|-------------------|-------|---|--------------------|--------------------|--------------------|--------------------|
| COIL GROUP | | | | | | |
| 9 | | Service Valve - Liquid | 61-101160-13 | 61-101160-13 | 61-101160-13 | 61-101160-13 |
| 10 | | Service Valve - Suction | 61-21368-16 | 61-21368-16 | 61-21368-16 | 61-21368-16 |
| 11 | Stk | High Pressure Control | 47-21604-03 | 47-21604-03 | 47-21604-03 | N/A |
| | Stk | Low Pressure Control | 47-100543-01 | 47-100543-01 | 47-100543-01 | N/A |
| 14 | Stk | Condenser Coil | AS-58438-03 | AS-58438-03 | AS-58439-03 | AS-58361-03 |
| | Stk | Filter Drier | 83-22755-03 | 83-22755-03 | 83-22755-03 | 83-22755-03 |
| | Stk | Low Ambient Control | 47-25343-03 | 47-25343-03 | 47-25343-03 | N/A |

| No. | Notes | MODEL COOLING CAPACITY ELECTRICAL DESIGNATION | RAKA 048 DAS | RAKA 048 DAZ | RAKA 060 DAS | RAKA 060 DAZ |
|-------------------|-------|---|--------------------|--------------------|--------------------|--------------------|
| COIL GROUP | | | | | | |
| 9 | | Service Valve - Liquid | 61-101160-13 | 61-101160-13 | 61-101160-13 | 61-101160-13 |
| 10 | | Service Valve - Suction | 61-21368-16 | 61-21368-16 | 61-21368-16 | 61-21368-16 |
| 11 | Stk | High Pressure Control | 47-21604-03 | N/A | 47-21604-03 | 47-21604-03 |
| | Stk | Low Pressure Control | 47-100543-01 | N/A | 47-100543-01 | 47-100543-01 |
| 14 | Stk | Condenser Coil | AS-58438-03 | AS-58438-03 | AS-58439-03 | AS-58361-03 |
| | Stk | Filter Drier | 83-22755-03 | 83-22755-03 | 83-22755-03 | 83-22755-03 |
| | Stk | Low Ambient Control | N/A | N/A | 47-25343-03 | 47-25343-03 |

| No. | Notes | MODEL COOLING CAPACITY ELECTRICAL DESIGNATION | RAKA 048 NAS | RAKA 060 NAS | RAKA 048 YAS | RAKA 060 YAS |
|-------------------|-------|---|--------------------|--------------------|--------------------|--------------------|
| COIL GROUP | | | | | | |
| 9 | | Service Valve - Liquid | 61-101160-13 | 61-101160-13 | 61-101160-13 | 61-101160-13 |
| 10 | | Service Valve - Suction | 61-21368-16 | 61-21368-16 | 61-21368-16 | 61-21368-16 |
| 11 | Stk | High Pressure Control | 47-21604-03 | 47-21604-03 | N/A | N/A |
| | Stk | Low Pressure Control | N/A | N/A | N/A | N/A |
| 14 | Stk | Condenser Coil | AS-58438-03 | AS-58439-03 | AS-58438-03 | AS-58439-03 |
| | | Piston - Flowcheck | 61-23414-76 | N/A | N/A | N/A |
| | Stk | Filter Drier | 83-22755-03 | 83-22755-03 | 83-22755-03 | 83-22755-03 |

| No. | Notes | MODEL COOLING CAPACITY ELECTRICAL DESIGNATION | RAKA 018 JAS | RAKA 018 JAZ | RAKA 024 JAS | RAKA 024 JAZ | RAKA 030 JAS | RAKA 030 JAZ |
|---|-------|---|--------------------|--------------------|--------------------|--------------------|--------------------|--------------------|
| COMPRESSOR GROUP | | | | | | | | |
| IMPORTANT NOTE: Replacement Compressors MUST be selected using the Compressor ID from the unit's Serial Number. Do not interchange compressors from other Compressor ID's used on the model. | | | | | | | | |
| | | Compressor ID: | 4900 | 5337 | 4908 | 5338 | 4916 | 5339 |
| 13 | Stk | Compressor | 55-22972-12S | See Note 3 | 55-22972-15S | 55-21737-07 | 55-22972-17S | 55-23140-11S |
| 16 | Stk | Capacitor - Compressor/Fan | 43-26261-02 | 43-26261-02 | 43-26261-03 | 43-26261-03 | 43-26261-04 | 43-26261-05 |
| 12 | | Crankcase Heater | 44-20656-02 | N/A | 44-20656-02 | 44-20656-02 | 44-20656-02 | N/A |
| 17 | Stk | Time Delay Relay | N/A | 42-22655-03 | N/A | 42-22655-03 | N/A | 42-22655-03 |
| 18 | | Start Relay | N/A | N/A | N/A | N/A | N/A | 42-18528-02 |
| 19 | | Start Capacitor | N/A | N/A | N/A | N/A | N/A | 43-17075-03 |
| | | Sound Enclosure | 68-23427-10 | N/A | 68-23427-10 | N/A | 68-23427-12 | N/A |
| | | Compressor ID: | 4901 | 5460 | 4909 | 5427 | 4917 | 5428 |
| 13 | Stk | Compressor | 55-22973-02 | See Note 3 | 55-22973-12 | 55-23139-44S | 55-22973-20 | 55-23140-11S |
| 16 | Stk | Capacitor - Compressor/Fan | 43-26261-03 | 43-26261-03 | 43-26261-03 | 43-26261-07 | 43-26261-04 | 43-26261-05 |
| 12 | | Crankcase Heater | 44-20656-02 | N/A | 44-20656-02 | 44-20656-02 | 44-20656-02 | N/A |
| 18 | | Start Relay | N/A | N/A | N/A | N/A | N/A | 42-18528-02 |
| 19 | | Start Capacitor | N/A | N/A | N/A | N/A | N/A | 43-17075-03 |
| | | Sound Enclosure | 68-23427-10 | N/A | 68-23427-10 | N/A | 68-23427-12 | N/A |
| | | Compressor ID: | 4904 | 5881 | | 5882 | 4951 | 6908 |
| 13 | Stk | Compressor | 55-22972-35 | See Note 3 | | 55-23140-07S | 55-22974-23 | 55-23155-05S |
| 16 | Stk | Capacitor - Compressor/Fan | 43-26261-02 | 43-26261-03 | | 43-26261-04 | 43-23204-11 | 43-26261-04 |
| 12 | | Crankcase Heater | 44-20656-02 | N/A | | 44-20656-02 | 44-20656-02 | N/A |
| 18 | | Start Relay | N/A | N/A | | N/A | N/A | 42-18528-02 |
| 19 | | Start Capacitor | N/A | N/A | | N/A | N/A | 43-17075-03 |
| | | Sound Enclosure | 68-23427-10 | N/A | | N/A | 68-23427-12 | N/A |
| | | Compressor ID: | 4905 | | | | | |
| 13 | Stk | Compressor | 55-22974-05 | | | | | |
| 16 | Stk | Capacitor - Compressor/Fan | 43-26261-04 | | | | | |
| 12 | | Crankcase Heater | 44-20656-02 | | | | | |
| | | Sound Enclosure | 68-23427-10 | | | | | |
| | | Compressor ID: | 4907 | | | | | |
| 13 | Stk | Compressor | 55-22974-06 | | | | | |
| 16 | Stk | Capacitor - Compressor/Fan | 43-26261-04 | | | | | |
| 12 | | Crankcase Heater | 44-20656-02 | | | | | |
| | | Sound Enclosure | 68-23427-10 | | | | | |

| No. | Notes | MODEL COOLING CAPACITY ELECTRICAL DESIGNATION | RAKA 018 TAS | RAKA 024 TAS | RAKA 030 TAS | | | |
|---|-------|---|-----------------------------|--------------------|--------------------|--|--|--|
| COMPRESSOR GROUP | | | | | | | | |
| IMPORTANT NOTE: Replacement Compressors MUST be selected using the Compressor ID from the unit's Serial Number. Do not interchange compressors from other Compressor ID's used on the model. | | | | | | | | |
| | | Compressor ID: | 5113 | 5114 | 5115 | | | |
| 13 | Stk | Compressor | 55-22974-59 | 55-22974-61 | 55-22974-63 | | | |
| 16 | Stk | Capacitor - Compressor/Fan | 43-26261-02 | 43-26261-02 | 43-26261-04 | | | |
| | | Compressor ID: | 5418 | 6253 | 6254 | | | |
| 13 | Stk,1 | Compressor | 55-21379-50 (See Note 1) | 55-23151-03S | 55-23151-05S | | | |
| 16 | Stk | Capacitor - Compressor/Fan | 43-26261-02 | 43-26261-02 | 43-26261-04 | | | |
| | | Compressor ID: | 5630 | | | | | |
| 13 | Stk | Compressor | 55-21379-50 | | | | | |
| 16 | Stk | Capacitor - Compressor/Fan | 43-26261-02 | | | | | |
| | | Compressor ID: | 6252 | | | | | |
| 13 | Stk | Compressor | 55-23151-02S | | | | | |
| 16 | Stk | Capacitor - Compressor/Fan | 43-26261-02 | | | | | |

| No. | Notes | MODEL COOLING CAPACITY ELECTRICAL DESIGNATION | RAKA 036 JAS | RAKA 036 JAZ | RAKA 037 JAZ | RAKA 042 JAS | RAKA 042 JAZ | |
|---|-------|---|--------------------|--------------------|--------------------|--------------------|--------------------|--|
| COMPRESSOR GROUP | | | | | | | | |
| IMPORTANT NOTE: Replacement Compressors MUST be selected using the Compressor ID from the unit's Serial Number. Do not interchange compressors from other Compressor ID's used on the model. | | | | | | | | |
| | | Compressor ID: | 4924 | 5340 | 5407 | 4944 | 5341 | |
| 13 | Stk | Compressor | 55-22972-20 | 55-21737-05 | 55-21737-57 | 55-22972-22 | 55-21737-06S | |
| 16 | Stk | Capacitor - Compressor/Fan | 43-23204-07 | 43-26261-05 | 43-26261-14 | 43-26261-08 | 43-26261-05 | |
| 12 | | Crankcase Heater | 44-20656-02 | N/A | N/A | N/A | N/A | |
| 17 | | Time Delay Relay | N/A | N/A | 42-22655-03 | N/A | 42-22655-03 | |
| 18 | | Start Relay | 42-18528-04 | N/A | N/A | N/A | N/A | |
| 19 | | Start Capacitor | 43-17075-03 | N/A | N/A | N/A | N/A | |
| | | Sound Enclosure | 68-23427-10 | N/A | N/A | N/A | N/A | |
| | | Compressor ID: | 4925 | 5429 | 5429 | 4945 | 5410 | |
| 13 | Stk | Compressor | 55-22973-31S | 55-23139-57S | 55-23139-57S | 55-22973-49 | 55-21737-41 | |
| 16 | Stk | Capacitor - Compressor/Fan | 43-23204-11 | 43-26261-14 | 43-26261-14 | 43-26261-11 | 43-26271-31 | |
| 12 | | Crankcase Heater | 44-20656-02 | N/A | N/A | N/A | N/A | |
| 17 | | Time Delay Relay | N/A | N/A | N/A | N/A | 42-22655-03 | |
| | | PTCR Module (Start Assist) | N/A | N/A | N/A | 42-23208-01 | N/A | |
| 18 | | Start Relay | 42-18528-04 | N/A | 42-18528-04 | N/A | N/A | |
| 19 | | Start Capacitor | 43-17075-03 | N/A | 43-17075-03 | N/A | N/A | |
| | | Sound Enclosure | 68-23427-10 | N/A | N/A | N/A | N/A | |
| | | Compressor ID: | 4955 | | | 4970 | 5461 | |
| 13 | Stk | Compressor | 55-22974-37 | | | 55-22974-47 | 55-23139-41S | |
| 16 | Stk | Capacitor - Compressor/Fan | 43-23204-11 | | | 43-23204-12 | 43-26271-31 | |
| 12 | | Crankcase Heater | 44-20656-02 | | | N/A | N/A | |
| 18 | | Start Relay | 42-18528-04 | | | N/A | N/A | |
| 19 | | Start Capacitor | 43-17075-03 | | | N/A | N/A | |
| | | Sound Enclosure | 68-23427-10 | | | N/A | N/A | |
| | | Muffler | AE-57992-04 | | | 83-20438-04 | N/A | |

| No. | Notes | MODEL COOLING CAPACITY ELECTRICAL DESIGNATION | RAKA 036 CAS | RAKA 037 CAZ | RAKA 042 CAS | RAKA 042 CAZ | RAKA 036 DAS | RAKA 037 DAZ |
|---|-------|---|--------------------|--------------------|--------------------|--------------------|--------------------|--------------------|
| COMPRESSOR GROUP | | | | | | | | |
| IMPORTANT NOTE: Replacement Compressors MUST be selected using the Compressor ID from the unit's Serial Number. Do not interchange compressors from other Compressor ID's used on the model. | | | | | | | | |
| | | Compressor ID: | 4932 | 5408 | 4952 | 5411 | 4936 | 5409 |
| 13 | Stk | Compressor | 55-22972-23S | 55-21737-58S | 55-22972-26S | 55-21737-71 | 55-22972-24S | 55-21737-59S |
| 17 | | Time Delay Relay | 42-22655-02 | 42-22756-02 | 42-22655-02 | 42-22756-02 | N/A | 42-22756-02 |
| | | Compressor ID: | 4933 | 5776 | 4978 | 5462 | 4937 | 5777 |
| 13 | Stk | Compressor | 55-22973-33 | 55-23139-58S | 55-22974-49S | 55-23139-71S | 55-22973-34 | 55-23139-59S |
| 17 | | Time Delay Relay | 42-22655-02 | N/A | 42-22655-02 | N/A | N/A | N/A |
| | | Muffler | N/A | N/A | 83-20438-04 | N/A | N/A | N/A |
| | | Compressor ID: | 4959 | | | | 4961 | |
| 13 | Stk | Compressor | 55-22974-39S | | | | 55-22974-40 | |
| 17 | | Time Delay Relay | 42-22655-02 | | | | N/A | |
| | | Muffler | 83-20438-04 | | | | 83-20438-04 | |

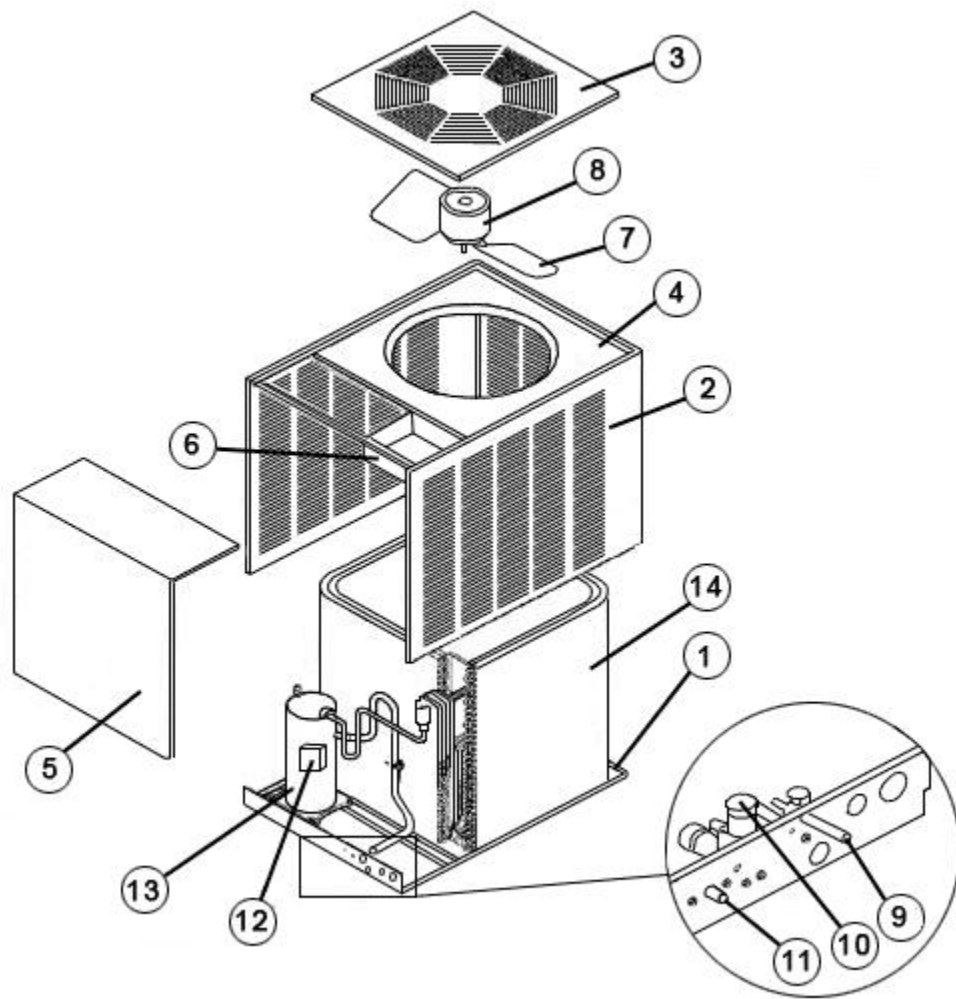
| No. | Notes | MODEL COOLING CAPACITY ELECTRICAL DESIGNATION | RAKA 042 DAS | RAKA 042 DAZ | RAKA 036 NAS | RAKA 042 NAS | RAKA 036 TAS | RAKA 042 TAS |
|---|-------|---|--------------------|--------------------|--------------------|--------------------|--------------------|--------------------|
| COMPRESSOR GROUP | | | | | | | | |
| IMPORTANT NOTE: Replacement Compressors MUST be selected using the Compressor ID from the unit's Serial Number. Do not interchange compressors from other Compressor ID's used on the model. | | | | | | | | |
| | | Compressor ID: | 4956 | 5412 | 5117 | 5119 | 5116 | 5118 |
| 13 | Stk | Compressor | 55-22972-27S | 55-21737-72 | 55-22974-66S | 55-22974-68 | 55-22974-65S | 55-22974-67S |
| | Stk | Capacitor - Compressor/Fan | N/A | N/A | N/A | N/A | 43-23204-07 | 43-26261-08 |
| 17 | | Time Delay Relay | N/A | 42-22756-02 | N/A | N/A | N/A | N/A |
| | | Muffler | N/A | N/A | 83-20438-04 | 83-20438-04 | 83-20438-04 | 83-20438-04 |
| | | Compressor ID: | 4982 | 5463 | | | | |
| 13 | Stk | Compressor | 55-22974-50 | 55-23139-72S | | | | |
| | | Muffler | 83-20438-04 | N/A | | | | |

| No. | Notes | MODEL COOLING CAPACITY ELECTRICAL DESIGNATION | RAKA 048 JAS | RAKA 048 JAZ | RAKA 060 JAS/JAZ | RAKA 060 JAZ | RAKA 048 CAS/CAZ | RAKA 048 CAZ |
|---|-------|---|--------------------|--------------------|------------------------|--------------------|------------------------|--------------------|
| COMPRESSOR GROUP | | | | | | | | |
| IMPORTANT NOTE: Replacement Compressors MUST be selected using the Compressor ID from the unit's Serial Number. Do not interchange compressors from other Compressor ID's used on the model. | | | | | | | | |
| | | Compressor ID: | 4964 | 5342 | 4984 | 5367 | 4968 | 5433 |
| 13 | Stk | Compressor | 55-22972-44S | 55-21737-25S | 55-21737-09 | 55-21737-33S | 55-22972-46 | 55-23140-40S |
| 16 | Stk | Capacitor - Compressor/Fan | 43-26261-10 | 43-26261-19 | 43-23204-18 | 43-26261-29 | N/A | N/A |
| 12 | | Crankcase Heater | 44-20656-02 | N/A | 44-20656-02 | N/A | N/A | N/A |
| | | Crankcase Heater Control | 47-21400-03 | N/A | N/A | N/A | 47-21400-03 | N/A |
| 17 | | Time Delay Relay | 42-22655-03 | 42-22655-03 | 42-22655-03 | 42-22655-03 | 42-22655-02 | 42-22655-02 |
| | | Start Relay | 42-18528-05 | N/A | 42-18282-11 | N/A | N/A | N/A |
| | | Start Capacitor | 43-17075-01 | N/A | 43-17075-03 | N/A | N/A | N/A |
| | | Compressor ID: | 4965 | 5432 | 4985 | 5721 | 4969 | |
| 13 | Stk | Compressor | 55-21924-73 | 55-23140-39S | 55-22973-65 | 55-23140-46S | 55-21924-74S | |
| | Stk | Capacitor - Compressor/Fan | 43-26261-10 | 43-26261-41 | 43-26261-19 | 43-26271-19 | N/A | |
| 12 | | Crankcase Heater | 44-20656-02 | N/A | 44-20656-02 | N/A | N/A | |
| | | Start Relay | 42-18528-05 | N/A | N/A | N/A | N/A | |
| | | Start Capacitor | 43-17075-01 | N/A | N/A | N/A | N/A | |
| 17 | | Time Delay Relay | N/A | N/A | 42-22655-03 | N/A | N/A | |
| | | PTCR Module (Start Assist) | N/A | N/A | 42-23208-01 | N/A | N/A | |
| | | Compressor ID: | | | 4987 | 5724 | | |
| 13 | Stk | Compressor | | | 55-22974-55S | 55-23141-46 | | |
| 16 | Stk | Capacitor - Compressor/Fan | | | 43-23204-13 | 43-26261-19 | | |
| | | Crankcase Heater Control | | | 47-21400-03 | N/A | | |
| 17 | | Time Delay Relay | | | 42-22655-03 | 42-22655-03 | | |
| | | Start Relay | | | 42-18282-11 | N/A | | |
| | | Start Capacitor | | | 43-17075-03 | N/A | | |
| | | Compressor ID: | | | | 6798 | | |
| 13 | Stk | Compressor | | | | 55-23139-33S | | |
| 16 | Stk | Capacitor - Compressor/Fan | | | | 43-26261-29 | | |
| | | Compressor ID: | | | | 6941 | | |
| 13 | Stk | Compressor | | | | 55-23148-32 | | |
| 16 | Stk | Capacitor - Compressor/Fan | | | | 43-26271-29 | | |
| | | Compressor ID: | | | | 6942 | | |
| 13 | Stk | Compressor | | | | 55-23148-33S | | |
| 16 | Stk | Capacitor - Compressor/Fan | | | | 43-26261-29 | | |

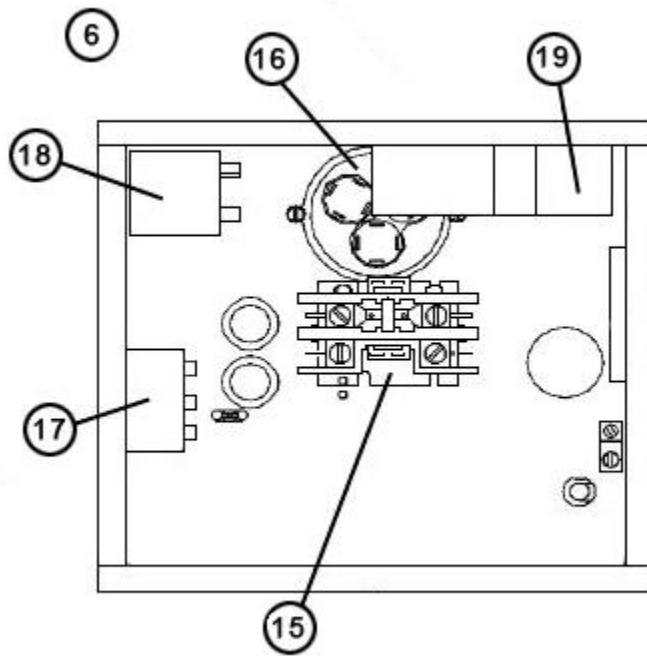
| No. | Notes | MODEL COOLING CAPACITY ELECTRICAL DESIGNATION | RAKA 060 CAS | RAKA 060 CAZ | RAKA 048 DAS/DAZ | RAKA 048 DAZ | RAKA 060 DAS | RAKA 060 DAZ |
|---|-------|---|--------------------|--------------------|------------------------|--------------------|--------------------|--------------------|
| COMPRESSOR GROUP | | | | | | | | |
| IMPORTANT NOTE: Replacement Compressors MUST be selected using the Compressor ID from the unit's Serial Number. Do not interchange compressors from other Compressor ID's used on the model. | | | | | | | | |
| | | Compressor ID: | 4989 | 5722 | 4972 | 5434 | 4993 | 5723 |
| 13 | Stk | Compressor | 55-22973-66 | 55-23140-47S | 55-22972-45 | 55-23140-41S | 55-22973-67 | 55-23140-48S |
| 17 | | Time Delay Relay | 42-22756-03 | N/A | N/A | N/A | 42-22655-02 | 42-22655-02 |
| | | Compressor ID: | 4991 | 5725 | 4973 | 5553 | 4995 | 5726 |
| 13 | Stk | Compressor | 55-22974-56S | 55-23141-47 | 55-21924-75S | 55-23141-41 | 55-22974-57S | 55-23141-48S |
| | | Crankcase Heater Control | 47-21400-03 | N/A | N/A | N/A | N/A | N/A |
| 17 | | Time Delay Relay | 42-22756-03 | 42-22756-02 | N/A | N/A | 42-22655-02 | 42-22655-02 |

| No. | Notes | MODEL COOLING CAPACITY ELECTRICAL DESIGNATION | RAKA 048 NAS | RAKA 060 NAS | RAKA 048 TAS | RAKA 048 YAS | RAKA 060 YAS | |
|---|-------|---|--------------------|--------------------|--------------------|--------------------|--------------------|--|
| COMPRESSOR GROUP | | | | | | | | |
| IMPORTANT NOTE: Replacement Compressors MUST be selected using the Compressor ID from the unit's Serial Number. Do not interchange compressors from other Compressor ID's used on the model. | | | | | | | | |
| | | Compressor ID: | 5121 | 4997 | 5120 | 4981 | 5001 | |
| 13 | Stk | Compressor | 55-22974-70 | 55-22973-67 | 55-22974-69S | 55-21924-76 | 55-22973-68 | |
| | Stk | Capacitor - Compressor/Fan | N/A | N/A | 43-26261-10 | N/A | N/A | |
| | | Compressor ID: | 4999 | | | | 5003 | |
| 13 | Stk | Compressor | 55-22974-57S | | | | 55-22974-58S | |
| | | Compressor ID: | 6772 | | | | | |
| 13 | Stk | Compressor | 55-23148-14S | | | | | |

| No. | Notes | MODEL | RAKA- | | | | | |
|--------------------|-------|--|----------|--|--|--|--|--|
| | | COOLING CAPACITY | ALL | | | | | |
| ACCESSORIES | | | | | | | | |
| | | Time Delay Control (3-phase models only) | RXMD-B01 | | | | | |
| | | Low Ambient Control | RXAD-A04 | | | | | |
| | | High Pressure Control | RXAB-A03 | | | | | |
| | | Low Pressure Control | RXAC-A03 | | | | | |



Exploded View



Control Box Assembly

NOTES

Stk It is recommended that stock be maintained for this part.

N/A Not Applicable

- 1 55-22974-60 was also used until date codes F0295 or M0295 under Compressor ID 5418.
- 2 For Compressor ID 5881, use 61-21368-17 for Service Valve (Suction).
- 3 This unit was built with a scroll compressor. However, no scroll compressor is currently available that can physically fit within the cabinet enclosure. Therefore, this compressor should be replaced with reciprocating compressor 55-22972-02S. Repiping is required to replace the original scroll with a reciprocating compressor.

DISCLAIMER: This document is intended to provide general replacement parts information to aid qualified service personnel in the repair of these models. The complete Model and Serial Number of the unit under repair should be specified when selecting and ordering replacement parts. Specifications and illustrations are subject to change without notice. Document 92-42800-RAKA supersedes all previous parts lists for these models. See <http://www.rheempartslists.net/92-42800-RAKA> for the latest revision of this document. The manufacturer assumes no obligation for errors or omissions. Service personnel must verify the proper and safe operation of equipment after the replacement of any original components.