



# RKMB

Parts List  
25-November-2015



*This parts list is current as of the above revision date.  
See <http://www.rheempartslists.net/92-42800-RKMB.pdf> for the current revision.*

**Package Gas-Electric - Commercial**

# Table of Contents

Model Explanation .....	Page 3
<b>Parts Numbers</b>	
Panels - Miscellaneous 090-150 (1) .....	Page 4
Panels - Miscellaneous 090-150 (2) .....	Page 5
Panels - Miscellaneous 180-240 (1) .....	Page 6
Panels - Miscellaneous 180-240 (2) .....	Page 7
Electrical Group (1) .....	Page 8
Electrical Group (2) .....	Page 9
Electrical Group (3) .....	Page 10
Fan Group .....	Page 11
Coil Parts 090-150 .....	Page 12
Coil Parts 180-240 .....	Page 13
Blower Group 090-150 (1) .....	Page 14
Blower Group 090-150 (2) .....	Page 15
Blower Group 180-240 .....	Page 16
Compressor Group .....	Page 17
Heat Exchanger-Burner Group 090-150 15-25 .....	Page 18
Heat Exchanger-Burner Group 180 25-35 .....	Page 19
Heat Exchanger-Burner Group 240 30-40 .....	Page 20
Accessories .....	Page 21
Gas Controls .....	Page 22
Orifice Selection Chart .....	Page 23
<b>Drawings/Photographs</b>	
Exploded View 090-150 .....	Page 24
Exploded View 180 240 .....	Page 25
Filter Rack Assembly 090-150 .....	Page 26
Coil Assembly 090-150 .....	Page 26
Control Board Assembly 090-150 .....	Page 27
Blower Assembly 090-150 .....	Page 27
Heat Exchanger Assembly 090-150 .....	Page 28
Heat Exchanger Assembly 180 240 .....	Page 29
Control Board Assembly 180 240 .....	Page 29
Coil Assembly 180 240 .....	Page 29
Blower Assembly 180 240 .....	Page 30
Evaporator Coil Assembly 090-120 .....	Page 31
Evaporator Coil Assembly 0150 .....	Page 31
Evaporator Coil Assembly 180-240 .....	Page 32
Notes/Disclaimer .....	Page 33

**MODEL NUMBER EXPLANATION**

<b>R</b>	<b>K</b>	<b>M</b>	<b>B</b>	<b>-</b>	<b>A</b>	<b>0</b>	<b>9</b>	<b>0</b>	<b>C</b>	<b>L</b>	<b>1</b>	<b>5</b>	<b>E</b>
<b>1</b>	<b>2</b>	<b>3</b>	<b>4</b>		<b>5</b>		<b>6</b>		<b>7</b>	<b>8</b>		<b>9</b>	<b>10</b>

- |   |   |
|---|---|
| <p><b>1</b>    <b>TRADENAME</b></p> <p><b>2</b>    <b>K - ROOFTOP COMMERCIAL</b></p> <p><b>3</b>    <b>EFFICIENCY DESIGNATION</b><br/>         K = Standard Efficiency (10 SEER)<br/>         M = High Efficiency (12 SEER)</p> <p><b>4</b>    <b>DESIGN SERIES</b></p> <p><b>5</b>    <b>TECHNICAL VARIATIONS</b></p> <p><b>6</b>    <b>COOLING CAPACITY (BTU/HR)</b><br/>         090 = 90,000            180 = 180,000<br/>         102 = 102,000        240 = 240,000<br/>         120 = 120,000<br/>         150 = 150,000</p> | <p><b>7</b>    <b>ELECTRICAL DESIGNATION</b><br/>         C = 208-230/3/60<br/>         D = 460/3/60<br/>         N = 380-415/3/50<br/>         P = 200-220/3/50<br/>         Y = 575/3/60</p> <p><b>8</b>    <b>DRIVE PACKAGE</b><br/>         L = Belt Drive<br/>         M = Belt Drive - High Static</p> <p><b>9</b>    <b>HEATING CAPACITY - (MBH)</b><br/>         12 = 120,000            29 = 290,000<br/>         15 = 150,000            30 = 300,000<br/>         18 = 180,000            33 = 330,000<br/>         21 = 210,000            35 = 350,000<br/>         22 = 225,000            40 = 400,000<br/>         25 = 252,000</p> <p><b>10</b>   <b>IGNITION SYSTEM</b><br/>         E = Electric</p> |
|---|---|

**SERIAL NUMBER EXPLANATION**

<b>1</b>	<b>Z</b>	<b>A</b>	<b>1</b>	<b>2</b>	<b>3</b>	<b>4</b>	<b>A</b>	<b>A</b>	<b>A</b>	<b>F</b>	<b>2</b>	<b>6</b>	<b>9</b>	<b>9</b>	<b>9</b>	<b>9</b>	<b>9</b>	<b>9</b>
<b>1</b>	<b>2</b>		<b>3</b>				<b>4</b>	<b>5</b>	<b>6</b>	<b>7</b>		<b>8</b>				<b>9</b>		

- |  |   |
|--|---|
| <p><b>1</b>    <b>GAS CODE</b></p> <p><b>2</b>    <b>COMPRESSOR IDENTIFICATION NO.</b></p> <p><b>3</b>    <b>IGNITION DEVICE</b></p> <p><b>4</b>    <b>INDUCER BLOWER</b></p> <p><b>5</b>    <b>HEAT EXCHANGER</b></p> | <p><b>6</b>    <b>TECHNOLOGY VARIATIONS</b></p> <p><b>7</b>    <b>PRODUCTION LOCATION</b><br/>         F = Fort Smith, AR</p> <p><b>8</b>    <b>DATE CODE</b></p> <p><b>9</b>    <b>PRODUCTION NUMBER</b></p> |
|--|---|

No.	Notes	MODEL TECHNICAL VARIATIONS COOLING CAPACITY	RKMB A 090/102	RKMB A 120/150
<b>PANELS, MISCELLANEOUS PARTS</b>				
<b>BASE RAILS:</b>				
A		Front	AE-90575-03	AE-90575-03
B		Right	AE-90576-03	AE-90576-03
C		Rear	AE-90575-04	AE-90575-04
D		Left	AE-90576-04	AE-90576-04
<b>BASE PANS:</b>				
E		Outdoor Coil Base Pan	AS-90577-03	AS-90577-05
F		Indoor Coil Base Pan	AS-90577-02	AS-90577-02
<b>INSIDE CABINET PANEL/PIECES:</b>				
G		Entry Plate	AE-90614-02	AE-90614-02
H		Entry Plate	AE-90614-01	AE-90614-01
J		Heat Compartment Side	AE-90598-03	AE-90598-03
K		Blower Deck	AS-90592-02	AS-90592-02
L		Wireway	AE-90718-02	AE-90718-02
M		Condenser Bulkhead	AS-90609-03	AS-90609-06
N		Tube Support Right Angle	AE-90600-02	AE-90600-02
P		Tube Support Left Angle	AE-90600-01	AE-90600-01
R		Limit Cover	AS-59152-01	AS-59152-01

No.	Notes	MODEL TECHNICAL VARIATIONS COOLING CAPACITY	RKMB A 090/102	RKMB A 120/150
<b>PANELS - FRONT</b>				
<b>FRONT:</b>				
1		Control Box / Filter Access Panel	AS-90678-02	AS-90678-02
2		Hinge	64-42546-03	64-42546-03
3		Hinge	64-42546-04	64-42546-04
4		Left - Front Panel	AS-90620-07	AS-90620-07
5		Control Box Cover	AE-90713-02	AE-90713-02
6		Control Mounting Plate	AE-90712-02	AE-90712-02
7		Low Voltage Shield	AE-90742-02	AE-90742-02
8		Control Box Back	AS-90601-02	AS-90601-02
9		Bracket	AE-90779-02	AE-90779-02
10		Inlet Flue Hood (2)	AE-90745-01	AE-90745-01
11		Flue Hood	AS-90637-02	AS-90637-02
12a		Gas Furnace Access Panel	AS-90715-02	AS-90715-02
12b		Hinge	64-42546-04	64-42546-04
12c		Hinge	64-42546-03	64-42546-03
13		Gas Pipe Support Plate	AS-90774-01	AS-90774-01
14		Blower Access Panel	AS-90622-02	AS-90622-02
15		Right - Front Panel	AS-90620-06	AS-90620-06
16		Heat Exchanger Mounting Frame	AS-90754-01	AS-90754-01
17		Condenser Coil Access Panel-Front	AE-90631-03	AE-90631-04
18		Front Corner Post	AE-90701-02	AE-90701-02

No.	Notes	MODEL TECHNICAL VARIATIONS COOLING CAPACITY	RKMB A 090	RKMB A 102	RKMB A 120	RKMB A 150
<b>PANELS - RIGHT, REAR AND LEFT SIDES</b>						
<b>RIGHT:</b>						
19		Air Stop	AE-90760-01	N/A	AE-90760-01	N/A
20		Louvered Panel	AS-90789-01	AS-90789-01	AS-90789-01	AS-90789-01
<b>REAR:</b>						
21		Rear Corner Post	AE-90702-03	AE-90702-03	AE-90702-03	AE-90702-03
22		Condenser Coil Access Panel - Rear	AE-90631-03	AE-90631-03	AE-90631-03	AS-90683-04
23		Rear Panel	AS-90618-02	AS-90618-02	AS-90618-02	AS-90618-02
24		Supply Cover	AS-90626-02	AS-90626-02	AS-90626-02	AS-90626-02
25		Return Cover	AS-90628-02	AS-90628-02	AS-90628-02	AS-90628-02
<b>LEFT:</b>						
26		Upper Left Panel	AS-90624-03	AS-90624-03	AS-90624-03	AS-90624-03
27		Lower Left Panel	AS-90624-04	AS-90624-04	AS-90624-04	AS-90624-04
28		Left Corner Panel	AS-90755-02	AS-90755-02	AS-90755-02	AS-90755-02
29		Receptacle Plate-Inside Panel	AE-90756-02	AE-90756-02	AE-90756-02	AE-90756-02
30		Disconnect Plate-Install Panel	AE-90756-03	AE-90756-03	AE-90756-03	AE-90756-03
31		Button Plug (2)	45-22980-06	45-22980-06	45-22980-06	45-22980-06
32		Button Plug	45-22980-05	45-22980-05	45-22980-05	45-22980-05
<b>TOP:</b>						
33		Top Panel	AS-90616-02	AS-90616-02	AS-90616-02	AS-90616-02
34		Condenser Top Panel	AS-90703-02	AS-90703-02	AS-90703-02	AS-90703-02
35		Venturi (2)	AE-90632-01	AE-90632-01	AE-90632-01	AE-90632-01
36		Wire Grille (2)	95-42507-01	95-42507-01	95-42507-01	95-42507-01

No.	Notes	MODEL TECHNICAL VARIATIONS COOLING CAPACITY	RKMB A 180	RKMB A 240
<b>PANELS, MISCELLANEOUS PARTS - BASE RAILS, INSIDE CABINET</b>				
<b>BASE RAILS:</b>				
A		Front	AS-90827-01	AS-90827-01
B		Right	AE-90576-03	AE-90576-03
C		Rear	AS-90827-01	AS-90827-01
D		Left	AE-90576-04	AE-90576-04
<b>BASE PANS:</b>				
E		Outdoor Base Pan	AS-90577-06	AS-90577-06
F		Indoor Coil Base Pan - Return Air	AS-90578-04	AS-90578-04
G		Indoor Coil Base Pan - Supply Air	AS-90578-03	AS-90578-03
<b>INSIDE CABINET PANEL/ PIECES:</b>				
H		Entry Plate (2)	AE-90614-01	AE-90614-01
J		Heat Compartment Side	AE-90598-03	AE-90598-03
K		Blower Deck	AS-90592-05	AS-90592-05
L		Wireway	AE-90718-03	AE-90718-03
M		Condenser Bulkhead	AS-90609-08	AS-90609-08
N		Tube Support Right Angle (2)	AE-90600-02	AE-90600-02
R		Limit Cover	AS-59152-01	AS-59152-01
S		Air Stop - Outdoor Coil- Front	AE-90706-08	AE-90706-08
T		Air Stop - Outdoor Coil- Rear	AE-90706-07	AE-90706-07
U		Coil Mounting Angle (2)	AE-90706-05	AE-90706-05
W		Outdoor Coil Divider Panel	AE-90735-03	AE-90735-03
X		Coil Support Brace	AE-90706-01	AE-90706-01
Y		Condenser Coil- Air Stop Rear	AE-90753-04	AE-90753-04
Z		Condenser Coil- Air Stop Front	AE-90753-03	AE-90753-03

No.	Notes	MODEL TECHNICAL VARIATIONS COOLING CAPACITY	RKMB A 180	RKMB A 240
<b>PANELS, MISCELLANEOUS PARTS - FRONT AND RIGHT SIDES</b>				
1		Control Box / Filter Access Panel	AS-90678-03	AS-90678-03
2		Hinge	64-42546-03	64-42546-03
3		Hinge	64-42546-04	64-42546-04
4		Left - Front Panel	AS-90620-11	AS-90620-11
5		Control Box Cover	AE-90713-03	AE-90713-03
6		Control Mounting Plate	AE-90712-03	AE-90712-03
7		Low Voltage Shield	AE-90742-04	AE-90742-04
8		Control Box Back	AS-90601-03	AS-90601-03
9		Bracket	AE-90779-02	AE-90779-02
10		Inlet Flue Hood (4)	AE-90745-01	AE-90745-01
11		Flue Hood (2)	AS-90637-02	AS-90637-02
12a		Gas Furnace Access Panel		
12b		Hinge (2)	64-42546-03	64-42546-03
12c		Hinge (2)	64-42546-04	64-42546-04
13		Gas Pipe Support Plate	AS-90774-03	AS-90774-03
14		Blower Access Panel	AS-90622-03	AS-90622-03
15		Right - Front Panel	AS-90620-10	AS-90620-10
16		Heat Exchanger Mounting Frame	AS-90754-03	AS-90754-03
17		Louvered Panel - Large	AE-90726-06	AE-90726-06
18		Louvered Panel - Small	AE-90726-07	AE-90726-07
19		Front/ Rear Post - Middle	AE-90732-03	AE-90732-03
20		Condenser Access Panel	AE-90734-05	AE-90734-05
21		Front/ Rear Corner Post	AE-90701-03	AE-90701-03

No.	Notes	MODEL TECHNICAL VARIATIONS COOLING CAPACITY	RKMB A 180	RKMB A 240
<b>PANELS - TOP, REAR AND LEFT SIDES</b>				
<b>REAR:</b>				
17		Louvered Panel - Large	AE-90726-06	AE-90726-06
18		Louvered Panel - Small	AE-90726-07	AE-90726-07
19		Front/ Rear Post - Middle	AE-90732-03	AE-90732-03
21		Front/ Rear Corner Post	AE-90701-03	AE-90701-03
22		Right Rear Panel	AS-90618-04	AS-90618-04
23		Left Rear Panel	AS-90618-03	AS-90618-03
24		Supply Cover	AS-90628-03	AS-90628-03
25		Return Cover	AS-90628-03	AS-90628-03
<b>LEFT:</b>				
26		Upper Left Panel	AS-90624-06	AS-90624-06
27		Lower Left Panel	AS-90624-04	AS-90624-04
28		Left Corner Panel	AS-90755-03	AS-90755-03
		Bracket (2)	AE-90779-01	AE-90779-01
		Gasket for receptacle plate	68-42514-08	68-42514-08
		Gasket for disconnect plate	68-42514-09	68-42514-09
29		Plate - Install inside Panel - Receptacle	AE-90756-02	AE-90756-02
30		Plate - Install inside Panel - Disconnect	AE-90756-03	AE-90756-03
<b>TOP:</b>				
31		Outdoor Top Front Panel	AE-90633-06	AE-90633-06
32		Outdoor Top Rear Panel	AE-90633-05	AE-90633-05
33		Outdoor Top Support	AE-90704-04	AE-90704-04
34		Top Panel	AS-90616-03	AS-90616-03
35		Venturi (4)	AE-90632-01	AE-90632-01
36		Wire Grille (4)	95-42507-01	95-42507-01

No.	Notes	MODEL TECHNICAL VARIATION COOLING CAPACITY ELECTRICAL DESIGNATION	RKMB A 090-150 C/P	RKMB A 090-150 D/N	RKMB A 090-150 Y
<b>ELECTRIC GROUP</b>					
CONTROL BOX COMPONENTS:					
6	Stk	Control Box Mounting Panel	AE-90712-02	AE-90712-02	AE-90712-02
56		Integrated Furnace Control (IFC)	See Gas Controls		
57	Stk	Transformer (Before F2301)	46-42515-01	46-42515-01	46-42515-01
57	Stk	Transformer (After F2301)	46-42515-01	46-42515-02	46-42515-01
58		Double Row Terminal Block	45-42548-02	45-42548-02	45-42548-02
59	Stk	Blower Contactor	42-25103-02	42-25103-02	42-25103-02
60		Run Capacitor	See Fan Group		
<b>Note: Low Voltage Terminal Block - 7 terminal block pieces are used in this application. The replacement 45-40361-66 is a kit that includes 13 terminal block pieces and 1 end piece. Order the amount of kits based on the replacement needed.</b>					
61		Low Voltage Terminal Block	45-40361-66	45-40361-66	45-40361-66
62	Stk	Compressor Contactor (2)	42-25103-01	42-25103-01	42-25103-01
63	Stk	Step Down Transformer (2) (Before F2301)	N/A	46-23585-01	46-23585-01
63	Stk	Step Down Transformer (2) (After F2301)	N/A	N/A	46-23585-01
		Induced Draft Relay (2) (After F2301)	N/A	42-19736-04	N/A

No.	Notes	MODEL TECHNICAL VARIATION COOLING CAPACITY ELECTRICAL DESIGNATION	RKMB A 180/240 C	RKMB A 180/240 D	RKMB A 180/240 Y
<b>ELECTRIC GROUP</b>					
56		Integrated Furnace Control Board - Label IFC	See Gas Controls		
62a	Stk	Compressor Contactor - Label CC 1	42-42139-08	42-42139-08	42-42139-08
62b	Stk	Compressor Contactor - Label CC 2	42-42139-08	42-42139-08	42-42139-08
62c	Stk	Compressor Contactor - Label CC 3	42-42139-08	42-42139-08	42-42139-08
62d	Stk	Compressor Contactor - Label CC 4	42-42139-08	42-42139-08	42-42139-08
60a		Run Capacitor - Label RC 1	See Fan Group		
60b		Run Capacitor - Label RC 2	See Fan Group		
60c		Run Capacitor - Label RC 3	See Fan Group		
60d		Run Capacitor - Label RC 4	See Fan Group		
38		Terminal Block - Label TB 1	45-21134-04	45-21134-04	45-21134-04
<b>Note: Low Voltage Terminal Block - 7 terminal block pieces are used in this application. The replacement 45-40361-66 is a kit that includes 13 terminal block pieces and 1 end piece. Order the amount of kits based on the replacement needed.</b>					
61		Low Voltage Terminal Block - Label TB 2	45-40361-66	45-40361-66	45-40361-66
58a		Double Row Terminal Block - Label TB 4	45-42548-02	45-42548-02	45-42548-02
58b		Double Row Terminal Block - Label TB 5	45-42548-02	45-42548-02	45-42548-02
<b>Note: The following date code changes are related to the change in the Induced Draft Blower Motor</b>					
<b>Unit date code on or before F1901</b>					
57	Stk	Transformer - Label CT	46-42515-04	46-42515-04	46-42515-04
63a		Transformer - Label PT 1	N/A	46-23585-01	46-23585-01
63b		Transformer - Label PT 2	N/A	46-23585-01	46-23585-01
63c		Transformer - Label PT 3	N/A	46-23585-01	46-23585-01
63d		Transformer - Label PT 4	N/A	46-23585-01	46-23585-01
59	Stk	Blower Contactor - Label BC	42-25103-02	42-22641-03	42-25103-02
<b>Unit date code after F1901</b>					
57	Stk	Transformer - label CT	46-42515-04	46-42515-05	46-42515-04
63a		Transformer - Label PT 1	N/A	N/A	46-23585-01
63b		Transformer - Label PT 2	N/A	N/A	46-23585-01
63c		Transformer - Label PT 3	N/A	N/A	46-23585-01
63d		Transformer - Label PT 4	N/A	N/A	46-23585-01
		Induced Draft Relay - Label IDR 1	N/A	42-19736-04	N/A
		Induced Draft Relay - Label IDR 2	N/A	42-19736-04	N/A
		Terminal Block - Label TB 3	N/A	45-42548-02	N/A
59	Stk	Blower Contactor - Label BC	42-25103-02	42-25103-01	42-25103-02



No.	Notes	MODEL TECHNICAL VARIATION COOLING CAPACITY ELECTRICAL DESIGNATION	RKMB	RKMB	RKMB	RKMB
			A 090 C/P	A 102 C/P	A 120 C/P	A 150 C/P
<b>ELECTRIC GROUP</b>						
		Wiring Harness - 12 Pin from IFC (15E)	45-42522-23	45-42522-23	45-42522-23	45-42522-23
		Wiring Harness - 12 Pin from IFC (22E, 25E)	45-42522-11	45-42522-11	45-42522-11	45-42522-11
		Wiring Harness - Outdoor Fan 1	45-42522-12	45-42522-12	45-42522-12	45-42522-26
		Wiring Harness - Outdoor Fan 2	45-42522-14	45-42522-14	45-42522-14	45-42522-28
		Wiring Harness - Draft Inducer	45-42522-19	45-42522-19	45-42522-19	45-42522-30
		Wiring Harness - Economizer	45-42522-20	45-42522-20	45-42522-20	45-42522-20
		Bypass Plug - Economizer (12 Pin)	AS-61997-55	AS-61997-55	AS-61997-55	AS-61997-55
		Wiring Harness - Compressor 1	45-42522-21	45-42522-21	45-42522-03	Call for availability
		Wiring Harness - Compressor 2	45-42522-22	45-42522-22	45-42522-15	Call for availability

No.	Notes	MODEL TECHNICAL VARIATION COOLING CAPACITY ELECTRICAL DESIGNATION	RKMB	RKMB	RKMB	RKMB
			A 090 D/N	A 102 D/N	A 120 D/N	A 150 D/N
<b>ELECTRIC GROUP</b>						
		Wiring Harness - 12 Pin from IFC (15E)	45-42522-23	45-42522-23	45-42522-23	45-42522-23
		Wiring Harness - 12 Pin from IFC (22E, 25E)	45-42522-11	45-42522-11	45-42522-11	45-42522-11
		Wiring Harness - Outdoor Fan 1	45-42522-12	45-42522-12	45-42522-12	45-42522-26
		Wiring Harness - Outdoor Fan 2	45-42522-14	45-42522-14	45-42522-14	45-42522-28
		Wiring Harness - Draft Inducer	45-42522-19	45-42522-19	45-42522-19	45-42522-30
		Wiring Harness - Economizer	45-42522-20	45-42522-20	45-42522-20	45-42522-20
		Bypass Plug - Economizer (12 Pin)	AS-61997-55	AS-61997-55	AS-61997-55	AS-61997-55
		Wiring Harness - Compressor 1	45-42522-21	45-42522-21	45-42522-21	Call for availability
		Wiring Harness - Compressor 2	45-42522-22	45-42522-22	45-42522-22	Call for availability

No.	Notes	MODEL TECHNICAL VARIATION COOLING CAPACITY ELECTRICAL DESIGNATION	RKMB	RKMB	RKMB	RKMB
			A 090 Y	A 102 Y	A 120 Y	A 150 Y
<b>ELECTRIC GROUP</b>						
		Wiring Harness - 12 Pin from IFC (15E)	45-42522-23	45-42522-23	45-42522-23	45-42522-23
		Wiring Harness - 12 Pin from IFC (22E, 25E)	45-42522-11	45-42522-11	45-42522-11	45-42522-11
		Wiring Harness - Outdoor Fan 1	45-42522-12	45-42522-12	45-42522-12	45-42522-26
		Wiring Harness - Outdoor Fan 2	45-42522-14	45-42522-14	45-42522-14	45-42522-28
		Wiring Harness - Draft Inducer	45-42522-19	45-42522-19	45-42522-19	45-42522-30
		Wiring Harness - Economizer	45-42522-20	45-42522-20	45-42522-20	45-42522-20
		Bypass Plug - Economizer (12 Pin)	AS-61997-55	AS-61997-55	AS-61997-55	AS-61997-55
		Wiring Harness - Compressor 1	45-42522-21	45-42522-21	45-42522-21	Call for availability
		Wiring Harness - Compressor 2	45-42522-22	45-42522-22	45-42522-22	Call for availability

No.	Notes	MODEL	RKMB	RKMB	RKMB
		TECHNICAL VARIATION	A	A	A
		COOLING CAPACITY	180	180	180
		ELECTRICAL DESIGNATION	C	D	Y
<b>ELECTRIC GROUP</b>					
	4	Wiring Harness - 12 Pin from IFC (See Note 4)	45-42522-44	45-42522-44	45-42522-44
		Wiring Harness - Outdoor Fan 1	45-42522-33	45-42522-33	45-42522-33
		Wiring Harness - Outdoor Fan 2	45-42522-34	45-42522-34	45-42522-34
		Wiring Harness - Outdoor Fan 3	45-42522-35	45-42522-35	45-42522-35
		Wiring Harness - Outdoor Fan 4	45-42522-36	45-42522-36	45-42522-36
		Wiring Harness - Draft Inducer (30E, 35E)	45-42522-38	45-42522-38	45-42522-38
		Bypass Plug - Economizer (12 Pin)	AS-61997-55	AS-61997-55	AS-61997-55

No.	Notes	MODEL	RKMB	RKMB	RKMB
		TECHNICAL VARIATION	A	A	A
		COOLING CAPACITY	240	240	240
		ELECTRICAL DESIGNATION	C	D	Y
<b>ELECTRIC GROUP</b>					
	4	Wiring Harness - 12 Pin from IFC (See Note 4)	45-42522-44	45-42522-44	45-42522-44
		Wiring Harness - Outdoor Fan 1	45-42522-33	45-42522-33	45-42522-33
		Wiring Harness - Outdoor Fan 2	45-42522-34	45-42522-34	45-42522-34
		Wiring Harness - Outdoor Fan 3	45-42522-35	45-42522-35	45-42522-35
		Wiring Harness - Outdoor Fan 4	45-42522-36	45-42522-36	45-42522-36
		Wiring Harness - Draft Inducer (30E)	45-42522-38	45-42522-38	45-42522-38
		Bypass Plug - Economizer (12 Pin)	AS-61997-55	AS-61997-55	AS-61997-55

No.	Notes	MODEL TECHNICAL VARIATION COOLING CAPACITY ELECTRICAL DESIGNATION	RKMB A 090/102 C/P	RKMB A 090/102 D/N	RKMB A 090/102 Y
<b>FAN GROUP</b>					
52	Stk	Motor (2)	51-42534-01	51-42534-02	51-42534-03
53	Stk	Fan Blade (2)	70-42502-01	70-42502-01	70-42502-01
54	Stk	Motor Fan Cap (2)	56-17070-01	56-17070-01	56-17070-01
55	Stk	Motor Mount - Outdoor Fan (2)	70-42504-01	70-42504-01	70-42504-01
60a,b	Stk	Run Capacitor (2)	43-25134-04	43-25134-04	43-25134-04

No.	Notes	MODEL TECHNICAL VARIATION COOLING CAPACITY ELECTRICAL DESIGNATION	RKMB A 120/150 C/P	RKMB A 120/150 D/N	RKMB A 120/150 Y
<b>FAN GROUP</b>					
52	Stk	Motor (2)	51-42534-01	51-42534-02	51-42534-03
53	Stk	Fan Blade (2)	70-42502-01	70-42502-01	70-42502-01
54	Stk	Motor Fan Cap (2)	56-17070-01	56-17070-01	56-17070-01
55	Stk	Motor Mount - Outdoor Fan (2)	70-42504-01	70-42504-01	70-42504-01
60a,b	Stk	Run Capacitor (2)	43-25134-04	43-25134-04	43-25134-04

No.	Notes	MODEL TECHNICAL VARIATION COOLING CAPACITY ELECTRICAL DESIGNATION	RKMB A 180/240 C/P	RKMB A 180/240 D/N	RKMB A 180/240 Y
<b>FAN GROUP</b>					
52	Stk	Fan Motor (4)	51-42534-01	51-42534-02	51-42534-03
53	Stk	Fan Blade (4)	70-42502-01	70-42502-01	70-42502-01
54	Stk	Plastic Cap for Fan Motor (4)	56-17070-01	56-17070-01	56-17070-01
55	Stk	Motor Mount - Outdoor Fan (4)	70-42504-01	70-42504-01	70-42504-01
60	Stk	Capacitor - Fan Motor (4)	43-25134-04	43-25134-04	43-25134-04

No.	Notes	MODEL TECHNICAL VARIATIONS COOLING CAPACITY	RKMB A 090	RKMB A 102	RKMB A 120	RKMB A 150
<b>COIL GROUP</b>						
<b>CONDENSER COIL:</b>						
37a	Stk	Condenser Coil - Outdoor	AS-90656-21	AS-90656-20	AS-90656-25	AS-90656-42
37b	Stk	Condenser Coil - Outdoor	N/A	N/A	AS-90656-25	AS-90656-42
38		Front Air Stop	N/A	N/A	AE-90706-03	AE-90706-03
39		Rear Air Stop	N/A	N/A	AE-90706-04	AE-90706-04
40		Bottom Retainer (2)	N/A	N/A	AE-90700-02	AE-90700-02
41a		Top Support Condenser Coil	N/A	N/A	AE-90612-02	AE-90612-02
41b		Top Support Condenser Bulkhead	N/A	N/A	AE-90612-03	AE-90612-03
<b>EVAPORATOR COIL:</b>						
42	Stk	Complete Coil - Indoor	AS-90656-29	AS-90656-41	AS-90656-32	AS-90656-43
42a	Stk	Distributor/Cap Tube - CKT 1	83-100632-01	83-100632-03	83-100632-18	N/A
42b	Stk	Distributor/Cap Tube - CKT 2	83-100632-01	83-100632-03	83-100632-18	N/A
42c	Stk	Flowcheck Distributor/Piston Assy (2)	N/A	N/A	N/A	61-26112-09
43	Stk	Drain Pan	68-42500-01	68-42500-01	68-42500-01	68-42500-01
<b>FILTER PIECES:</b>						
44a,b		Filter Frame (2)	AE-90606-02	AE-90606-02	AE-90606-02	AE-90606-02
45		Air Stop Bottom	AE-90605-03	AE-90605-03	AE-90605-03	AE-90605-03
46		Stop Air Stop	AE-90605-07	AE-90605-07	AE-90605-07	AE-90605-07
47		Top Air Stop	AS-90604-02	AS-90604-02	AS-90604-02	AS-90604-02
48a,b		Filter Channel (2)	AS-90607-02	AS-90607-02	AS-90607-02	AS-90607-02
49		Filter Channel (2)	AE-90608-02	AE-90608-02	AE-90608-02	AE-90608-02
50		Filter (6)	54-42541-01	54-42541-01	54-42541-01	54-42541-01
51		Filter Slide (2)	AE-90615-01	AE-90615-01	AE-90615-01	AE-90615-01

No.	Notes	MODEL TECHNICAL VARIATION COOLING CAPACITY	RKMB A 180	RKMB A 240
<b>COIL GROUP</b>				
40		Air Flow Panel	AE-90828-01	AE-90828-01
41		Drain Pan Mounting Angle	AE-90799-01	AE-90799-01
<b>EVAPORATOR COIL:</b>				
42	Stk	Complete Coil - Indoor	AS-90656-39	AS-90656-31
42a		Distributor/Cap Tube - CKT 1, CKT2	83-100632-11	83-100632-21
42b		Distributor/Cap Tube - CKT 3, CKT4	83-100632-12	83-100632-22
43	Stk	Drain Pan	68-42500-01	68-42500-01
<b>CONDENSER COIL:</b>				
37a	Stk	Condenser Coil - Front	AS-90656-35	AS-90656-33
37b	Stk	Condenser Coil - Rear	AS-90656-36	AS-90656-34
<b>FILTER PIECES:</b>				
39		Filter Frame Assembly	AS-90603-03	AS-90603-03
44a		Filter Frame	AE-90606-03	AE-90606-03
44b		Filter Frame	AE-90606-04	AE-90606-04
46		Air Stop - Side	AE-90605-08	AE-90605-08
49		Filter Channel	AS-90607-02	AS-90607-02
45		Air Stop Bottom	AE-90605-03	AE-90605-03
47		Top Air Stop	AS-90604-03	AS-90604-03
48a,b		Filter Channel (2)	AE-90608-02	AE-90608-02
50		Filter - 18"x18"x2" (2)	54-42541-01	54-42541-01
50		Filter - 18"x24"x2" (2)	54-42541-03	54-42541-03
51		Filter Slide (2)	AE-90615-01	AE-90615-01

No.	Notes	MODEL TECHNICAL VARIATION COOLING CAPACITY DRIVE PACKAGE	RKMB A 090 L	RKMB A 102 L	RKMB A 120 L	RKMB A 150 L
<b>BLOWER ASSEMBLY GROUP - BELT DRIVE</b>						
	Stk	Blower Assembly (Less Motor, Belt and Pulley)	AS-90757-01	AS-90757-01	AS-90757-01	AS-90757-01
64		Scroll Side	Can not be ordered individually			
64		Scroll Side	Can not be ordered individually			
64		Scroll Wrap	Can not be ordered individually			
65	Stk	Blower Wheel	70-42540-02	70-42540-02	70-42540-02	70-42540-02
66		Bearing Frame Tri-Arm (2)	70-42540-05	70-42540-05	70-42540-05	70-42540-05
67	Stk	Bearing with Bearing Lock (2)	70-42540-06	70-42540-06	70-42540-06	70-42540-06
68	Stk	Blower Shaft	70-42540-04	70-42540-04	70-42540-04	70-42540-04
69		Blower Mounting Angles (2)	AE-90708-01	AE-90708-01	AE-90708-01	AE-90708-01
70		Motor Mount	AE-90710-02	AE-90710-02	AE-90710-02	AE-90710-02

No.	Notes	MODEL TECHNICAL VARIATION COOLING CAPACITY ELECTRICAL DESIGNATION DRIVE PACKAGE	RKMB A 090 C/D L	RKMB A 102 C/D L	RKMB A 120 C/D L	RKMB A 150 C/D L
<b>MOTOR, BELT AND VARIABLE PITCH SHEAVE FOR BLOWER ASSEMBLY BELT DRIVE</b>						
71	Stk	Blower Motor	51-42536-01	51-42536-01	51-42536-01	51-42537-01
72	Stk	Variable Sheave	71-42538-02	71-42538-02	71-42538-02	71-42538-02
73	Stk	Belt	71-40438-27	71-40438-27	71-40438-27	71-40438-23
74	Stk	Fixed Sheave includes Bushing	71-26254-82	71-26254-82	71-26254-82	71-26254-84
	Stk	Bushing	71-26253-01	71-26253-01	71-26253-01	71-26253-01

No.	Notes	MODEL TECHNICAL VARIATION COOLING CAPACITY ELECTRICAL DESIGNATION DRIVE PACKAGE	RKMB A 090 N/P L	RKMB A 102 N/P L	RKMB A 120 N/P L	RKMB A 150 N/P L
<b>MOTOR, BELT AND VARIABLE PITCH SHEAVE FOR BLOWER ASSEMBLY BELT DRIVE</b>						
71	Stk	Blower Motor	51-42537-01	51-42537-01	51-42537-01	51-42498-07
72	Stk	Variable Sheave	71-42538-02	71-42538-02	71-42538-02	71-40427-31
73	Stk	Belt	71-40438-27	71-40438-27	71-40438-27	71-40438-23
74	Stk	Fixed Sheave includes Bushing	71-26254-82	71-26254-82	71-26254-82	71-26254-84
	Stk	Bushing	71-26253-01	71-26253-01	71-26253-01	71-26253-01

No.	Notes	MODEL TECHNICAL VARIATION COOLING CAPACITY ELECTRICAL DESIGNATION DRIVE PACKAGE	RKMB A 090 Y L	RKMB A 102 Y L	RKMB A 120 Y L	RKMB A 150 Y L
<b>MOTOR, BELT AND VARIABLE PITCH SHEAVE FOR BLOWER ASSEMBLY BELT DRIVE</b>						
71	Stk	Blower Motor	51-42536-02	51-42536-02	51-42536-02	51-42536-02
72	Stk	Variable Sheave	71-42538-02	71-42538-02	71-42538-02	71-42538-02
73	Stk	Belt	71-40438-27	71-40438-27	71-40438-27	71-40438-23
74	Stk	Fixed Sheave includes Bushing	71-26254-82	71-26254-82	71-26254-82	71-26254-84
	Stk	Bushing	71-26253-01	71-26253-01	71-26253-01	71-26253-01

No.	Notes	MODEL TECHNICAL VARIATION COOLING CAPACITY DRIVE PACKAGE	RKMB A 090 M	RKMB A 102 M	RKMB A 120 M	RKMB A 150 M
<b>BLOWER ASSEMBLY GROUP - BELT DRIVE</b>						
	Stk	Blower Assembly (Less Motor, Belt and Pulley)	AS-90757-01	AS-90757-01	AS-90757-01	AS-90757-01
64		Scroll Side	Can not be ordered individually			
64		Scroll Side	Can not be ordered individually			
64		Scroll Wrap	Can not be ordered individually			
65	Stk	Blower Wheel	70-42540-02	70-42540-02	70-42540-02	70-42540-02
66		Bearing Frame Tri-Arm (2)	70-42540-05	70-42540-05	70-42540-05	70-42540-05
67	Stk	Bearing with Bearing Lock (2)	70-42540-06	70-42540-06	70-42540-06	70-42540-06
68	Stk	Blower Shaft	70-42540-04	70-42540-04	70-42540-04	70-42540-04
69		Blower Mounting Angles (2)	AE-90708-01	AE-90708-01	AE-90708-01	AE-90708-01
70		Motor Mount	AE-90710-02	AE-90710-02	AE-90710-02	AE-90710-02

No.	Notes	MODEL TECHNICAL VARIATION COOLING CAPACITY ELECTRICAL DESIGNATION DRIVE PACKAGE	RKMB A 090 C/D M	RKMB A 102 C/D M	RKMB A 120 C/D M	RKMB A 150 C/D M
<b>MOTOR, BELT AND VARIABLE PITCH SHEAVE FOR BLOWER ASSEMBLY BELT DRIVE</b>						
71	Stk	Blower Motor	51-42537-01	51-42537-01	51-42537-01	51-42498-07
72	Stk	Variable Sheave	71-42538-02	71-42538-02	71-42538-02	71-42538-03
73	Stk	Belt	71-40438-23	71-40438-23	71-40438-23	71-40438-25
74	Stk	Fixed Sheave w/Bushing	71-26254-84	71-26254-84	71-26254-84	71-26254-84
	Stk	Bushing	71-26253-01	71-26253-01	71-26253-01	71-26253-01

No.	Notes	MODEL TECHNICAL VARIATION COOLING CAPACITY ELECTRICAL DESIGNATION DRIVE PACKAGE	RKMB A 090 N/P M	RKMB A 102 N/P M	RKMB A 120 N/P M	RKMB A 150 N/P M
<b>MOTOR, BELT AND VARIABLE PITCH SHEAVE FOR BLOWER ASSEMBLY BELT DRIVE</b>						
71	Stk	Blower Motor	51-42537-01	51-42537-01	51-42537-01	51-42498-07
72	Stk	Variable Sheave	71-42538-02	71-42538-02	71-42538-02	71-42538-03
73	Stk	Belt	71-40438-23	71-40438-23	71-40438-23	71-40438-25
74	Stk	Fixed Sheave w/Bushing	71-26254-84	71-26254-84	71-26254-84	71-26254-84
	Stk	Bushing	71-26253-01	71-26253-01	71-26253-01	71-26253-01

No.	Notes	MODEL TECHNICAL VARIATION COOLING CAPACITY ELECTRICAL DESIGNATION DRIVE PACKAGE	RKMB A 090 Y M	RKMB A 102 Y M	RKMB A 120 Y M	RKMB A 150 Y M
<b>MOTOR, BELT AND VARIABLE PITCH SHEAVE FOR BLOWER ASSEMBLY BELT DRIVE</b>						
71	Stk	Blower Motor	51-42537-02	51-42537-02	51-42537-02	51-42574-01
72	Stk	Variable Sheave	71-42538-02	71-42538-02	71-42538-02	71-42538-03
73	Stk	Belt	71-40438-23	71-40438-23	71-40438-23	71-40438-25
74	Stk	Fixed Sheave w/Bushing	71-26254-84	71-26254-84	71-26254-84	71-26254-84
	Stk	Bushing	71-26253-01	71-26253-01	71-26253-01	71-26253-01

No.	Notes	MODEL TECHNICAL VARIATION COOLING CAPACITY DRIVE PACKAGE	RKMB	RKMB		
			A 180 L/M	A 240 L/M		
<b>BLOWER ASSEMBLY GROUP - BELT DRIVE</b> The Assembly Does Not Include The Motor, Belt Or Pulley						
64	Stk	Blower Assembly (2)	AS-90757-03	AS-90757-03		
		Scroll Side			Can not be ordered individually	
		Scroll Side			Can not be ordered individually	
		Scroll Wrap			Can not be ordered individually	
65	Stk	Blower Wheel	70-42564-02	70-42564-02		
66	Stk	Bearing Frame Tri-Arm (2)	70-42284-04	70-42284-04		
67	Stk	Bearing with Bearing Lock (4)	70-42540-06	70-42540-06		
68	Stk	Blower Shaft	70-42564-03	70-42564-03		
69		Blower Mounting Angles (4)	AE-90708-02	AE-90708-02		
70		Motor Mount	AE-90710-03	AE-90710-03		
94		Blower Connector (3)	AE-90798-01	AE-90798-01		

No.	Notes	MODEL TECHNICAL VARIATION COOLING CAPACITY ELECTRICAL DESIGNATION DRIVE PACKAGE	RKMB	RKMB	RKMB	RKMB
			A 180 C/D L	A 180 Y L	A 180 C/D M	A 180 Y M
<b>MOTOR, BELT AND VARIABLE PITCH SHEAVE FOR BLOWER ASSEMBLY BELT DRIVE</b>						
71	Stk	Blower Motor	51-42537-01	51-42537-02	51-42498-07	51-42574-01
72	Stk	Variable Sheave	71-40427-27	71-40427-27	71-40427-31	71-40427-31
73	Stk	Belt	71-40438-33	71-40438-33	71-40438-32	71-40438-32
74	Stk	Fixed Sheave including Bushing	71-26254-82	71-26254-82	71-26254-81	71-26254-81
	Stk	Bushing for Sheave	71-26253-01	71-26253-01	71-26253-01	71-26253-01

No.	Notes	MODEL TECHNICAL VARIATION COOLING CAPACITY ELECTRICAL DESIGNATION DRIVE PACKAGE	RKMB-	RKMB	RKMB	RKMB
			A 240 C/D L	A 240 Y L	A 240 C/D M	A 240 Y M
<b>MOTOR, BELT AND VARIABLE PITCH SHEAVE FOR BLOWER ASSEMBLY BELT DRIVE</b>						
71	Stk	Blower Motor	51-42498-07	51-42574-01	51-42498-09	51-42498-11
72	Stk	Variable Sheave	71-42538-03	71-42538-03	71-42538-04	71-42538-04
73	Stk	Belt	71-40438-37	71-40438-37	71-40438-38	71-40438-38
74	Stk	Fixed Sheave w/Bushing	71-26254-83	71-26254-83	71-26254-81	71-26254-81
	Stk	Bushing for Sheave	71-26253-01	71-26253-01	71-26253-01	71-26253-01



No.	Notes	MODEL	RKMB	RKMB	RKMB	RKMB
		TECHNICAL VARIATION	A	A	A	A
		COOLING CAPACITY	090	102	120	150
		ELECTRICAL DESIGNATION	C	C	C	C
<b>COMPRESSOR GROUP</b>						
		Compressor ID:	6538	6657	6548	6722
75	Stk	Compressor - Circuit One	55-23139-71S	55-23140-40S	55-23140-92S	55-23141-43S
75	Stk	Compressor - Circuit Two	55-23139-71S	55-23140-40S	55-23139-30S	55-23141-73S
	Stk	Crankcase Heater	44-17402-45	44-17402-47	44-17402-47	44-17402-47

No.	Notes	MODEL	RKMB	RKMB	RKMB	RKMB
		TECHNICAL VARIATION	A	A	A	A
		COOLING CAPACITY	090	102	120	150
		ELECTRICAL DESIGNATION	D	D	D	D
<b>COMPRESSOR GROUP</b>						
		Compressor ID:	6539	6658	6549	6723
75	Stk	Compressor - Circuit One	55-23139-72S	55-23140-41S	55-23140-93S	55-23141-44S
75	Stk	Compressor - Circuit Two	55-23139-72S	55-23140-41S	55-23139-35S	55-23141-72S
	Stk	Crankcase Heater	44-17402-46	44-17402-48	44-17402-48	44-17402-11

No.	Notes	MODEL	RKMB	RKMB	RKMB	RKMB
		TECHNICAL VARIATION	A	A	A	A
		COOLING CAPACITY	090	102	120	150
		ELECTRICAL DESIGNATION	Y	Y	Y	Y
<b>COMPRESSOR GROUP</b>						
		Compressor ID:	6542	6659	6552	6724
75	Stk	Compressor - Circuit One	55-23139-82S	55-23140-42S	55-23140-94	55-23141-45S
75	Stk	Compressor - Circuit Two	55-23139-82S	55-23140-42S	55-23140-94	55-23141-88S
	Stk	Crankcase Heater	N/A	44-17402-49	N/A	44-17402-12

No.	Notes	MODEL	RKMB	RKMB	RKMB	RKMB
		TECHNICAL VARIATION	A	A	A	A
		COOLING CAPACITY	180	240	180	240
		ELECTRICAL DESIGNATION	C	C	D	D
<b>COMPRESSOR GROUP</b>						
		Compressor ID:	6616	6621	6617	6622
75	Stk	Compressor (4)	55-23139-71S	55-23139-30S	55-23139-72S	55-23139-31S
	Stk	Crankcase Heater	44-17402-45	44-17402-45	44-17402-48	44-17402-47

No.	Notes	MODEL	RKMB	RKMB		
		TECHNICAL VARIATION	A	A		
		COOLING CAPACITY	180	240		
		ELECTRICAL DESIGNATION	Y	Y		
<b>COMPRESSOR GROUP</b>						
		Compressor ID:	6618	6623		
75	Stk	Compressor (4)	55-23139-82S	55-23139-32S		
	Stk	Crankcase Heater	N/A	N/A		

No.	Notes	MODEL	RKMB	RKMB	RKMB
		TECHNICAL VARIATION	A	A	A
		COOLING CAPACITY	090-150	090-150	090-150
		HEATING CAPACITY	15	22	25
<b>HEAT EXCHANGER, BURNER/MANIFOLD</b>					
76	Stk	Heat Exchanger	AS-90645-01	AS-90645-03	AS-90645-03
77		Turbulators	AE-58922-01 (6)	AE-58922-01 (9)	AE-58922-01 (9)
78		Inducer Mounting Plate Gasket	68-42518-02	68-42518-02	68-42518-02
79		Inducer Mounting Plate	AE-90675-03	AE-90675-02	AE-90675-04
80		Gasket - Induced Draft Blower	68-23643-02 (2)	68-23643-02 (2)	68-23643-02 (2)
<b>Note: Induced Draft Blower 70-23641-81 is 230 V, and 70-23641-82 is 460 V. Verify original part before replacing.</b>					
81	Stk	Induced Draft Blower w/Gasket - Voltages C/P/Y	70-23641-81 (2)	70-23641-81 (2)	70-23641-81 (2)
81	Stk	Induced Draft Blower w/Gasket - Voltages D/N - Before F2301	70-23641-81 (2)	70-23641-81 (2)	70-23641-81 (2)
81	Stk	Induced Draft Blower w/Gasket - Voltages D/N - After F2301	70-23641-82 (2)	70-23641-82 (2)	70-23641-82 (2)
82	Stk	Flue Duct	75-23678-01 (2)	75-23678-01 (2)	75-23678-01 (2)
		Gasket - Flue Duct	68-23680-04 (4)	68-23680-04 (4)	68-23680-04 (4)
83	Stk	Pressure Switch (2)	42-23649-02	42-23649-02	42-23649-02
84		Pressure Switch Mounting Bracket (2) - Before F1909	AE-90635-03	AE-90635-03	AE-90635-03
84		Pressure Switch Mounting Bracket (2) - After F1909	AE-90635-05	AE-90635-05	AE-90635-05
85	Stk	Inside Cabinet Panel/Pieces	47-25349-09	47-25349-02	47-25349-04
86	Stk	Spark Ignitor	62-23556-08	62-23556-08	62-23556-08
87	Stk	Flame Sensor	62-23543-02	62-23543-02	62-23543-02
88	Stk	Overtemperature Limits (2)	47-22861-01	47-22861-01	47-22861-01
89		Burner Support	AE-90643-01	AE-90643-01	AE-90643-01
90		Burner Support Brackets (2)	AE-90642-02	AE-90642-02	AE-90642-02
91	Stk	Burner Assembly	AS-90772-01	AS-90772-02	AS-90772-02
92		Heat Shield	AE-90644-02	AE-90644-02	AE-90644-02
93	Stk	Manifold (w/o Orifices)	81-42509-03	81-42509-02	81-42509-02
94	Stk	Square Head Plug (Used to plug unused holes on Manifold)	81-23593-01 (4)	81-23593-01 (1)	81-23593-01 (1)
95		Burner Orifices - Natural Gas	See Orifice Selection Chart		
95		Burner Orifices - LP	See Orifice Selection Chart		
		Number of Orifices	(6)	(9)	(9)

No.	Notes	MODEL	RKMB	RKMB
		TECHNICAL VARIATION	A	A
		COOLING CAPACITY	180	180
		HEATING CAPACITY	25	35
<b>HEAT EXCHANGER, BURNER/ MANIFOLD</b>				
12a		Gas Furnace Access Panel	AS-90715-04	AS-90715-05
76	Stk	Heat Exchanger	AS-90645-06	AS-90645-04
77		Turbulators	AE-58922-02 (10)	AE-58922-02 (14)
78		Inducer Mounting Plate Gasket	68-42518-03	68-42518-03
79		Inducer Mounting Plate	AE-90675-08	AE-90675-06
80	Stk	Gasket - Induced Draft Blower	68-23643-02 (2)	68-23643-02 (3)
<b>Note: Induced Draft Blower 70-23641-81 is 230 V, and 70-23641-82 is 460 V. Verify original part before replacing.</b>				
81	Stk	Induced Draft Blower w/Gasket - Voltages C/P/Y	70-23641-81 (2)	70-23641-81 (3)
81	Stk	Induced Draft Blower w/Gasket - Voltages D/N - Before F1901	70-23641-81 (2)	70-23641-81 (3)
81	Stk	Induced Draft Blower w/Gasket - Voltages D/N - After F1901	70-23641-82 (2)	70-23641-82 (3)
		Transformer	See Electric Group	
82		Flue Duct	75-23678-01 (3)	75-23678-01 (3)
		Gasket - Flue Duct	68-23680-04 (6)	68-23680-04 (6)
83a	Stk	Pressure Switch - Left	NA	42-23649-03
83b	Stk	Pressure Switch - Middle Left	42-23649-03	42-23649-02
83c	Stk	Pressure Switch - Middle Right	42-23649-02	42-23649-03
83d	Stk	Pressure Switch - Right	NA	NA
84a		Pressure Switch Mounting Bracket - (Single Mount) - Before F1909	AE-90635-03 (1)	AE-90635-03 (2)
84a		Pressure Switch Mounting Bracket - (Single Mount) - After F1909	AE-90635-05 (1)	AE-90635-05 (2)
84b		Pressure Switch Mounting Bracket (Dual Mount)	AE-90635-04	AE-90635-04
	Stk	Limit Control	47-25349-10	47-25349-03
<b>Burner Assembly:</b>				
87	Stk	Spark Ignitor	62-23556-09	62-23556-09
85	Stk	Flame Sensor	62-23543-02	62-23543-02
88	Stk	Overtemperature Limits (4)	47-22861-01	47-22861-01
89		Burner Support	AS-90830-01	AS-90830-01
90		Burner Support Brackets (2)	AE-90642-02	AE-90642-02
91	Stk	Burner Assembly	AS-90772-05	AS-90772-03
92		Heat Shield	AE-90644-03	AE-90644-03
93	Stk	Manifold (w/o Orifices)	81-42509-07	81-42509-04
		Square Head Plug (Used to plug unused holes on Manifold)	81-23593-01 (3)	81-23593-01 (1)
95		Burner Orifices - Natural Gas	See Orifice Selection Chart	
95		Burner Orifices - LP	See Orifice Selection Chart	
		Number of Orifices	(10)	(14)

No.	Notes	MODEL	RKMB	RKMB
		TECHNICAL VARIATION	A	A
		COOLING CAPACITY	240	240
		HEATING CAPACITY	30	40
<b>HEAT EXCHANGER, BURNER/MANIFOLD</b>				
12a		Gas Furnace Access Panel	AS-90715-05	AS-90715-03
76	Stk	Heat Exchanger	AS-90645-05	AS-90645-04
77		Turbulators	AE-58922-02 (12)	AE-58922-02 (14)
78		Inducer Mounting Plate Gasket	68-42518-03	68-42518-03
79		Inducer Mounting Plate	AE-90675-07	AE-90675-05
80		Gasket - Induced Draft Blower	68-23643-02 (3)	68-23643-02 (4)
<b>Note: Induced Draft Blower 70-23641-81 is 230 V, and 70-23641-82 is 460 V. Verify original part before replacing.</b>				
81	Stk	Induced Draft Blower w/Gasket - Voltages C/P/Y	70-23641-81 (3)	70-23641-81 (4)
81	Stk	Induced Draft Blower w/Gasket - Voltages D/N - Before F1901	70-23641-81 (3)	70-23641-81 (4)
81	Stk	Induced Draft Blower w/Gasket - Voltages D/N - After F1901	70-23641-82 (3)	70-23641-82 (4)
		Transformer	See Electric Group	
82		Flue Duct	75-23678-01 (3)	75-23678-01 (4)
		Gasket - Flue Duct	68-23680-04 (6)	68-23680-04 (8)
83a	Stk	Pressure Switch - Left	42-23649-03	42-23649-03
83b	Stk	Pressure Switch - Middle Left	42-23649-01	42-23649-02
83c	Stk	Pressure Switch - Middle Right	42-23649-03	42-23649-03
83d	Stk	Pressure Switch - Right	N/A	42-23649-02
84a		Pressure Switch Mounting Bracket - (Single Mount) - Before F1909	AE-90635-03 (2)	AE-90635-03 (2)
84a		Pressure Switch Mounting Bracket - (Single Mount) - After F1909	AE-90635-05 (2)	AE-90635-05 (2)
84b		Pressure Switch Mounting Bracket (Dual Mount)	AE-90635-04	AE-90635-04
	Stk	Limit Control	47-25349-09	47-25349-03
		<b>Burner Assembly:</b>		
87	Stk	Spark Ignitor	62-23556-09	62-23556-09
85	Stk	Flame Sensor	62-23543-02	62-23543-02
88	Stk	Overtemperature Limits (4)	47-22861-01	47-22861-01
89		Burner Support	AS-90830-01	AS-90830-01
90		Burner Support Brackets (2)	AE-90642-02	AE-90642-02
91	Stk	Burner Assembly	AS-90772-06	AS-90772-03
92	Stk	Heat Shield	AE-90644-03	AE-90644-03
93	Stk	Manifold (w/o Orifices)	81-42509-07	81-42509-04
		Square Head Plug (Used to plug unused holes on Manifold)	81-23593-01	81-23593-01
95		Burner Orifices - Natural Gas	See Orifice Selection Chart	
95		Burner Orifices - LP	See Orifice Selection Chart	
		Number of Orifices	(12)	(14)

No.	Notes	MODEL TECHNICAL VARIATION COOLING CAPACITY	RKMB A 090-150, 181
<b>FACTORY INSTALLED OPTIONS / FIELD INSTALL ACCESSORIES</b>			
		Louver Panel - Option	RXRX-AAD01C
		Time Delay Relay - Option	RXMD-A04
		High Pressure / Low Pressure Control Factory Installed Option	RXRX-AK01
		Freeze Stat - Option	RXRX-AM01
		Convenience Outlet - Option	RXRX-AN01
		Disconnect Switch Kit - Option	RXRX-AP01
		Low Ambient Control - Option	RXRZ-A90

No.	Notes	MODEL TECHNICAL VARIATION COOLING CAPACITY	RKMB A 180/240
<b>FACTORY INSTALLED OPTIONS / FIELD INSTALL ACCESSORIES</b>			
		Time Delay Relay	RXMD-A05
		Freeze Stat	RXRX-AM01
		Convenience Outlet	RXRX-AN01
		Disconnect Switch Kit	RXRX-AP01
		Low Ambient Control	RXRZ-A90
		Carbon Dioxide Sensor	RXRX-AR01
		Motorized Fresh Air	RXRX-AT01
		Manual Fresh Air	RXRF-GEA1

No.	Notes	MODEL TECHNICAL VARIATION	RKMB 090-150, 181
<b>ECONOMIZERS</b>			
		Outdoor Air Sensor Field Install	RXRD-EDCM2
		Single Enthalpy Field	RXRD-EDCM3
		Dual Enthalpy	RXRD-EDCM4

No.	Notes	MODEL COOLING CAPACITY	RKMB 180/240
<b>ECONOMIZERS</b>			
		Outdoor Air Sensor	RXRD-EFCM2
		Single Enthalpy	RXRD-EFCM3
		Dual Enthalpy	RXRD-EFCM4

No.	Notes	MODEL TECHNICAL VARIATION COOLING CAPACITY	RKMB A 090-240
<b>OPTIONS AND ACCESSORIES KITS</b>			
		Power Exhaust - C Voltage	RXRX-BFF02C
		Power Exhaust - D Voltage	RXRX-BFF02D
		Power Exhaust - Y Voltage	RXRX-BFF02Y

No.	Notes	MODEL	RKMB	RKMB	RKMB	RKMB	RKMB
		TECHNICAL VARIATION	A	A	A	A	A
		GAS CODE	1Z	2A	2B	2D	2F
<b>GAS CONTROLS</b>							
56	Stk	Integrated Furnace Control	62-42506-01	See Note 1	62-42506-01	62-42506-01	62-42506-02
96	Stk	Gas Valve - Natural Gas (Before F0308)	60-42508-01	See Note 1	60-23490-09	60-42570-01	60-23490-13
96	Stk	Gas Valve - Natural Gas (After F0308)	60-42508-01	See Note 1	60-23490-09	60-101778-01	60-23490-13
96	Stk,2	Gas Valve - LP	See Note 2	See Note 1	See Note 2	See Note 3	See Note 2
97	Stk	Street Elbow	81-17486-02	See Note 1	81-17486-01	81-40271-05	81-40271-04
98		Nipple - Black	N/A	See Note 1	N/A	81-40383-04	N/A
99		90 Deg Elbow Std	N/A	See Note 1	N/A	81-40394-24	N/A
	Stk	LP Conversion Kit	EP-87W	See Note 1	EP-86W	FP-14	EP-86W

No.	Notes	MODEL	RKMB				
		TECHNICAL VARIATION	A				
		GAS CODE	2K				
<b>GAS CONTROLS</b>							
56	Stk	Integrated Furnace Control	62-42506-02				
96	Stk	Gas Valve - Natural Gas	60-102405-01				
96	Stk,2	Gas Valve - LP	See Note 2				
97	Stk	Street Elbow	81-40271-04				
	Stk	LP Conversion Kit	FP-24				

**PACKAGE EQUIPMENT - ORIFICE SELECTION CHART - NATURAL GAS**

**CAUTION:** Selection of the correct Natural Gas Orifice requires the following information for the specific installation:

- 1) Furnace Input Rating (BTU/HR)
- 2) Number of Burners
- 2) Altitude (ft.)

For detailed information and instructions for Orifice selection, see the Gas Furnace LP Conversion Kit Index 92-21519-47 and the latest edition of the National Fuel Gas Code Handbook, or the National Standard of Canada, Natural Gas and Propane Installation Code, CAN B149.1.

**CAUTION:** This information is provided for replacement purposes only. Conversion for operation at High Altitude must be done using the kit specified on the product specification sheet for the unit.

NOTE: This Orifice sizing chart is based on a Natural Gas heating value of 1075 BTU/cu. ft and a pressure setting of 3.5 in. water column.

NOTE: Factory installed orifices are calculated and sized based on a Natural Gas heating value of 1075 BTU/cu. ft. and an elevation of 0 - 2000 ft.

Furnace Input Rating (BTU/HR)	Canadian High Altitude Derated Input (BTU/HR)	Number of Burners	Elevation (ft.)					
			Country					
			0 - 2000 U.S.	2001 - 4000 U.S.	4001 - 6000 U.S.	8000+ U.S.	0 - 2000 Canada	2001 - 4500 Canada
40,000	36,000	2	62-22175-45	62-22175-47	62-22175-48	62-22175-49	62-22175-45	62-22175-15
60,000	54,000	3	62-22175-45	62-22175-47	62-22175-48	62-22175-49	62-22175-45	62-22175-15
72,000	N/A	4	62-22175-15	62-22175-49	62-22175-50	62-22175-51	62-22175-15	N/A
80,000	72,000	4	62-22175-45	62-22175-47	62-22175-48	62-22175-49	62-22175-45	62-22175-15
90,000	N/A	5	62-22175-15	62-22175-49	62-22175-50	62-22175-51	62-22175-15	N/A
100,000	90,000	5	62-22175-45	62-22175-47	62-22175-48	62-22175-49	62-22175-45	62-22175-15
120,000	108,000	6	62-22175-45	62-22175-47	62-22175-48	62-22175-49	62-22175-45	62-22175-15
135,000	121,500	6	62-22175-44	62-22175-45	62-22175-47	62-22175-48	62-22175-44	62-22175-45
150,000	135,000	6	62-22175-42	62-22175-43	62-22175-44	62-22175-45	62-22175-42	62-22175-44
180,000	N/A	9	62-22175-45	62-22175-47	62-22175-48	62-22175-49	62-22175-45	N/A
210,000	N/A	9	62-22175-43	62-22175-44	62-22175-45	62-22175-47	62-22175-43	N/A
210,000	N/A	10	62-22175-45	62-22175-47	62-22175-48	62-22175-49	62-22175-45	N/A
225,000	202,500	9	62-22175-42	62-22175-43	62-22175-44	62-22175-45	62-22175-42	62-22175-44
250,000	225,000	10	62-22175-42	62-22175-43	62-22175-44	62-22175-45	62-22175-42	62-22175-44
252,000	225,000	9	62-22175-40	62-22175-42	62-22175-43	62-22175-44	62-22175-40	62-22175-42
252,000	N/A	12	62-22175-45	62-22175-47	62-22175-48	62-22175-49	62-22175-45	N/A
290,000	N/A	14	62-22175-45	62-22175-47	62-22175-48	62-22175-49	62-22175-45	N/A
300,000	270,000	12	62-22175-42	62-22175-43	62-22175-44	62-22175-45	62-22175-42	62-22175-44
330,000	N/A	14	62-22175-43	62-22175-44	62-22175-45	62-22175-47	62-22175-43	N/A
350,000	315,000	14	62-22175-42	62-22175-43	62-22175-44	62-22175-45	62-22175-42	62-22175-44
400,000	360,000	14	62-22175-40	62-22175-42	62-22175-43	62-22175-44	62-22175-40	62-22175-42

**PACKAGE EQUIPMENT - ORIFICE SELECTION CHART - LP**

**CAUTION:** Selection of the correct LP Orifice requires the following information for the specific installation:

- 1) Furnace Input Rating (BTU/HR)
- 2) Number of Burners
- 2) Altitude (ft.)

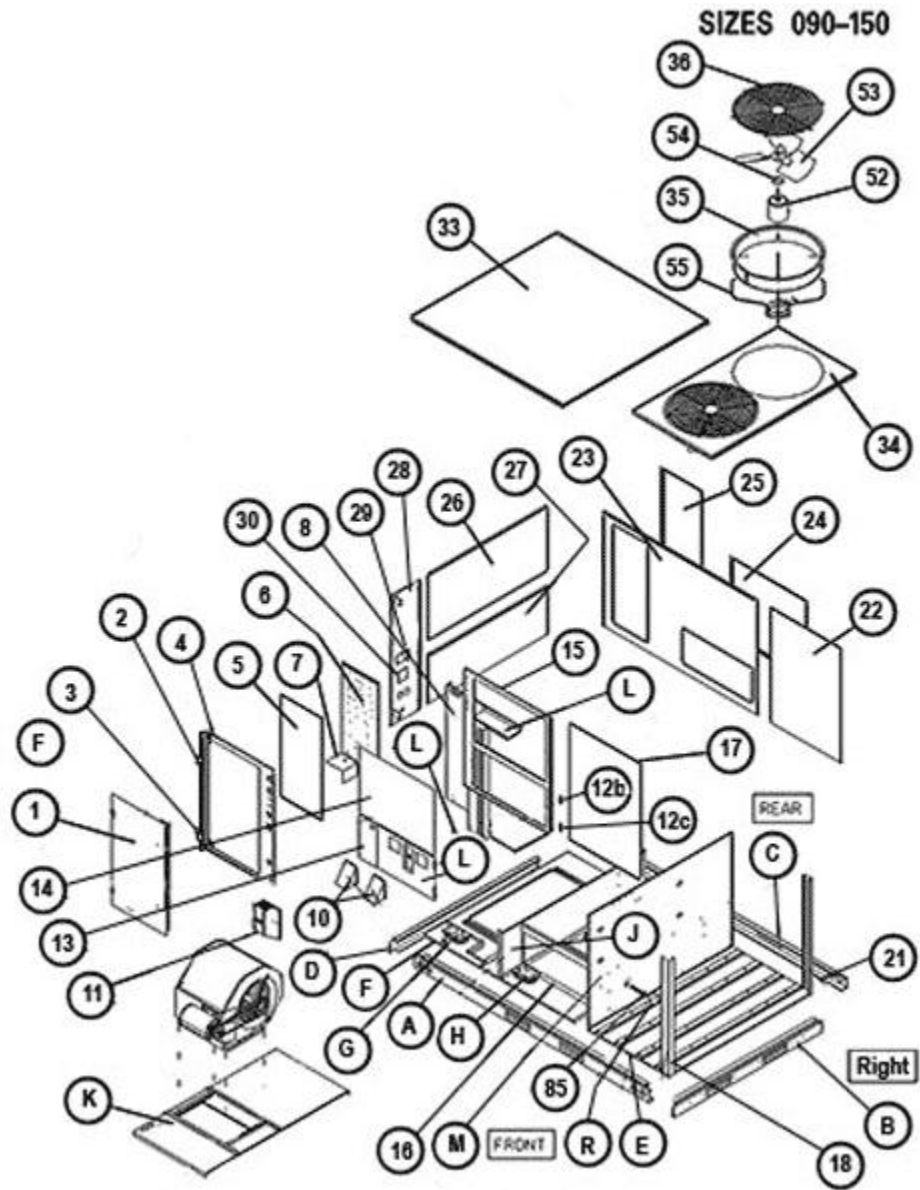
For detailed information and instructions for Orifice selection, see the Gas Furnace LP Conversion Kit Index 92-21519-47 and the latest edition of the National Fuel Gas Code Handbook, or the National Standard of Canada, Natural Gas and Propane Installation Code, CAN B149.1.

**CAUTION:** This information is provided for replacement purposes only. Conversion to LP or for operation at High Altitude should be done using the kit(s) specified on the product specification sheet for the unit.

NOTE: This Orifice sizing chart is developed using the specified pressure setting of 10 in. water column instead of the 11.0 in water column used by the NFG and CANB149.1.

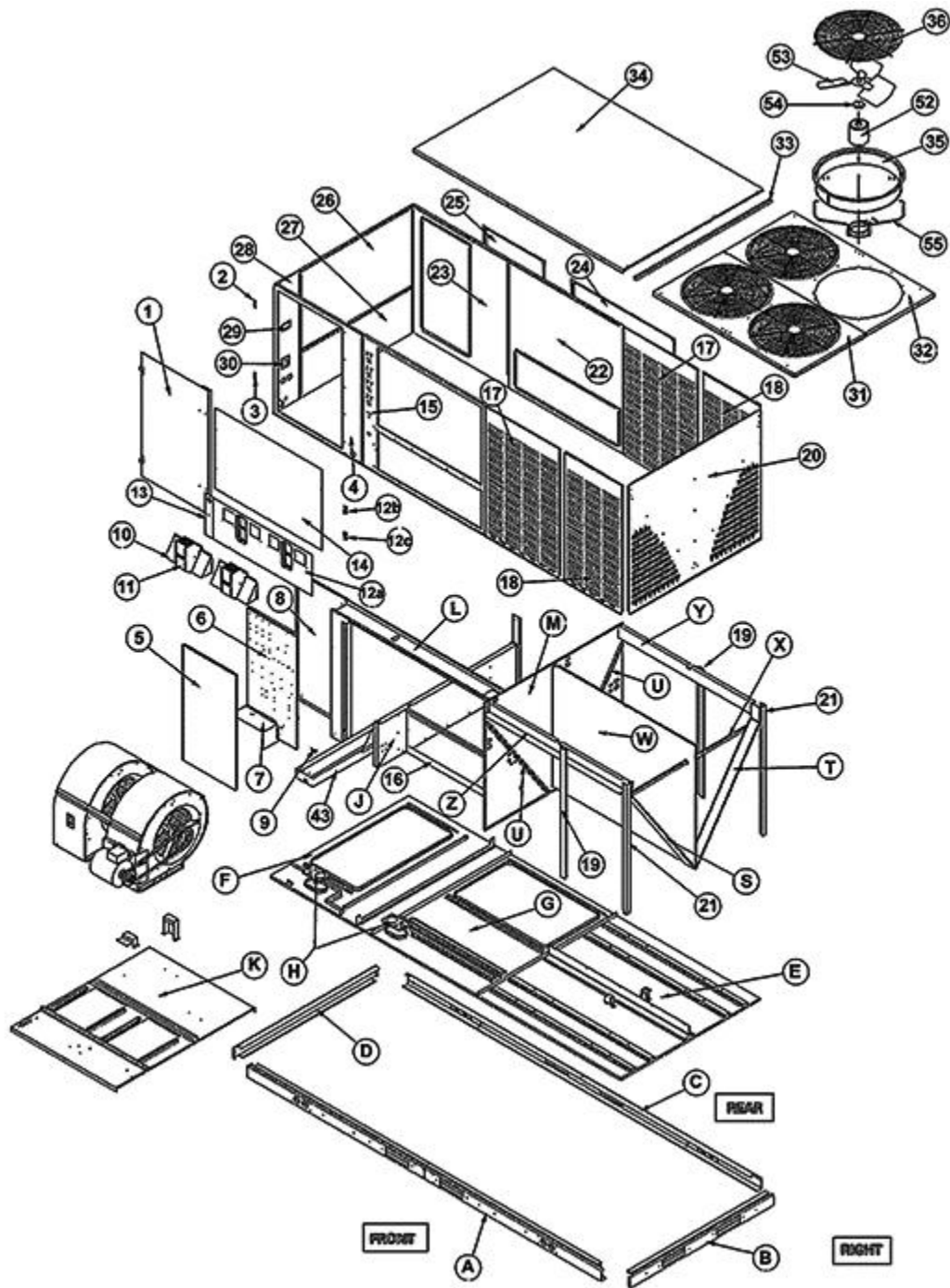
NOTE: Orifices supplied in the LP Conversion Kit are calculated and sized based on a heating value of 2500 BTU/cu. ft. and an elevation of 0 - 2000 ft.

Furnace Input Rating (BTU/HR)	Canadian High Altitude Derated Input (BTU/HR)	Number of Burners	Elevation (ft.)					
			Country					
			0 - 2000 U.S.	2001 - 4000 U.S.	4001 - 6000 U.S.	8000+ U.S.	0 - 2000 Canada	2001 - 4500 Canada
40,000	36,000	2	62-22175-55	62-22175-55	62-22175-56	62-22175-56	62-22175-55	62-22175-13
60,000	54,000	3	62-22175-55	62-22175-55	62-22175-56	62-22175-56	62-22175-55	62-22175-13
72,000	N/A	4	62-22175-13	62-22175-57	62-22175-57	62-22175-59	62-22175-13	N/A
80,000	72,000	4	62-22175-55	62-22175-55	62-22175-56	62-22175-56	62-22175-55	62-22175-13
90,000	N/A	5	62-22175-13	62-22175-57	62-22175-57	62-22175-59	62-22175-13	N/A
100,000	90,000	5	62-22175-55	62-22175-55	62-22175-56	62-22175-56	62-22175-55	62-22175-13
120,000	108,000	6	62-22175-55	62-22175-55	62-22175-56	62-22175-56	62-22175-55	62-22175-13
135,000	121,500	6	62-22175-54	62-22175-55	62-22175-55	62-22175-56	62-22175-54	62-22175-55
150,000	135,000	6	62-22175-54	62-22175-55	62-22175-55	62-22175-56	62-22175-54	62-22175-54
180,000	N/A	9	62-22175-55	62-22175-55	62-22175-56	62-22175-56	62-22175-55	N/A
210,000	N/A	9	62-22175-54	62-22175-55	62-22175-55	62-22175-56	62-22175-54	N/A
210,000	N/A	10	62-22175-55	62-22175-55	62-22175-56	62-22175-56	62-22175-55	N/A
225,000	202,500	9	62-22175-54	62-22175-55	62-22175-55	62-22175-56	62-22175-54	62-22175-54
250,000	225,000	10	62-22175-54	62-22175-55	62-22175-55	62-22175-56	62-22175-54	62-22175-54
252,000	225,000	9	62-22175-53	62-22175-54	62-22175-54	62-22175-55	62-22175-53	62-22175-54
252,000	N/A	12	62-22175-55	62-22175-55	62-22175-56	62-22175-56	62-22175-55	N/A
290,000	N/A	14	62-22175-55	62-22175-55	62-22175-56	62-22175-56	62-22175-55	N/A
300,000	270,000	12	62-22175-54	62-22175-55	62-22175-55	62-22175-56	62-22175-54	62-22175-54
330,000	N/A	14	62-22175-54	62-22175-55	62-22175-55	62-22175-56	62-22175-54	N/A
350,000	315,000	14	62-22175-54	62-22175-55	62-22175-55	62-22175-56	62-22175-54	62-22175-54
400,000	360,000	14	62-22175-53	62-22175-54	62-22175-54	62-22175-55	62-22175-53	62-22175-54

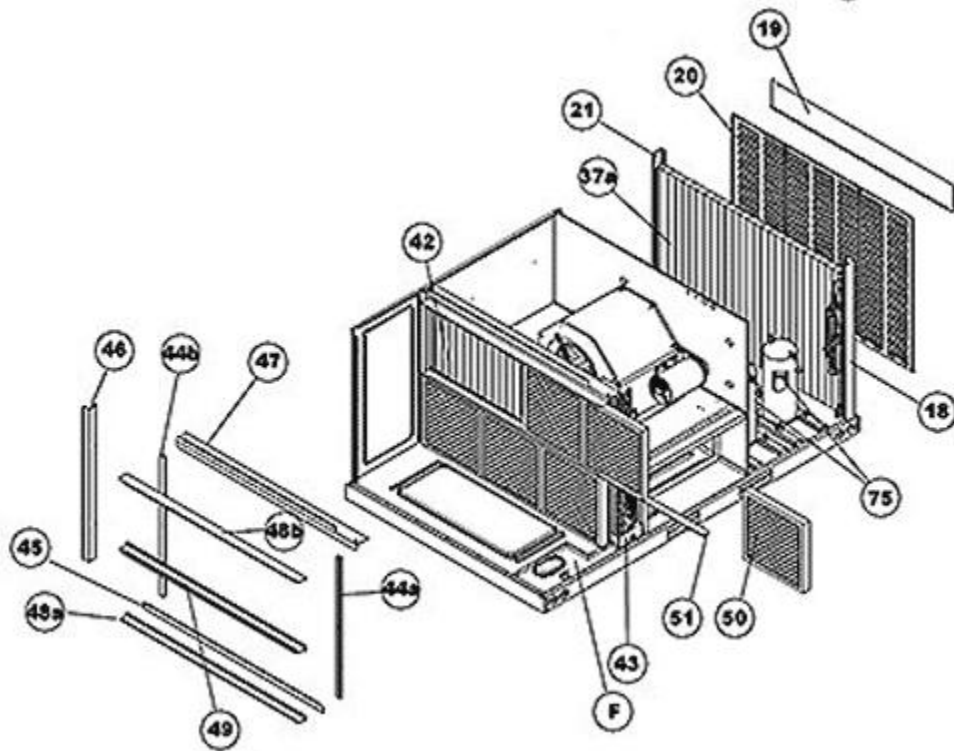


Exploded View 090-150

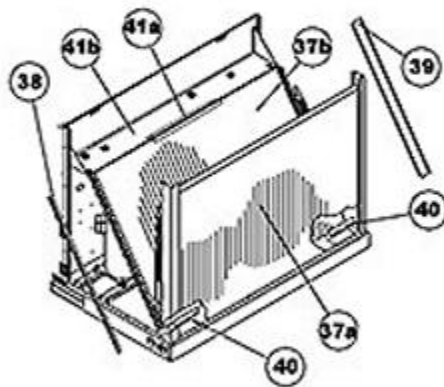




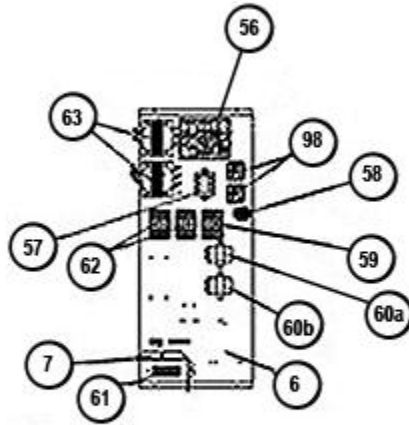
Exploded View 180 240



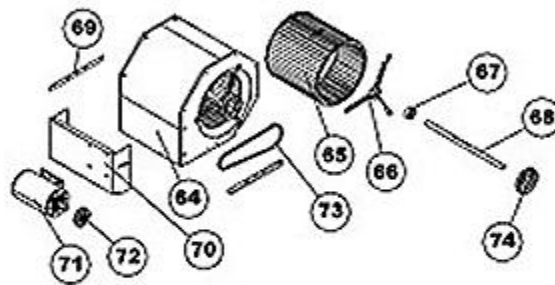
Filter Rack Assembly 090-150



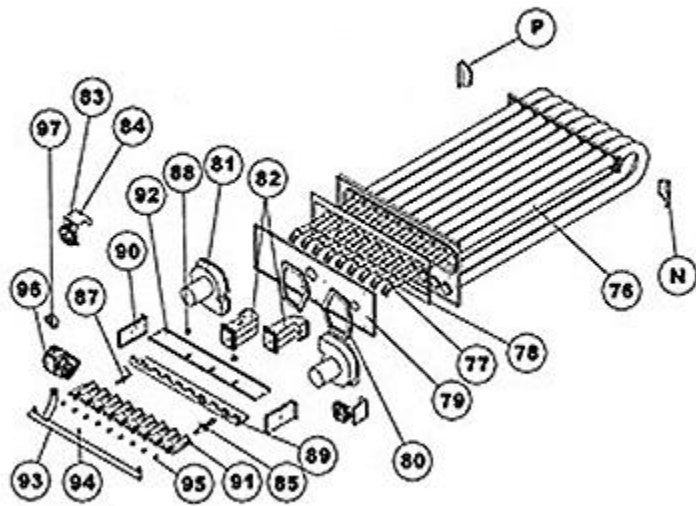
Coil Assembly 090-150



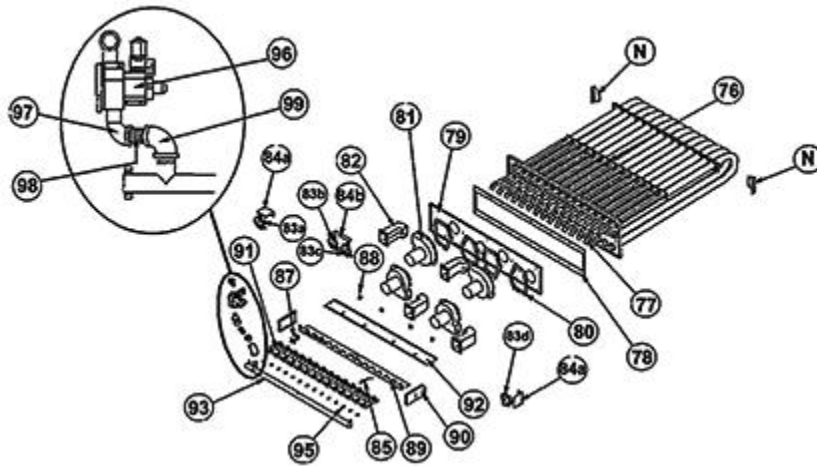
Control Board Assembly 090-150



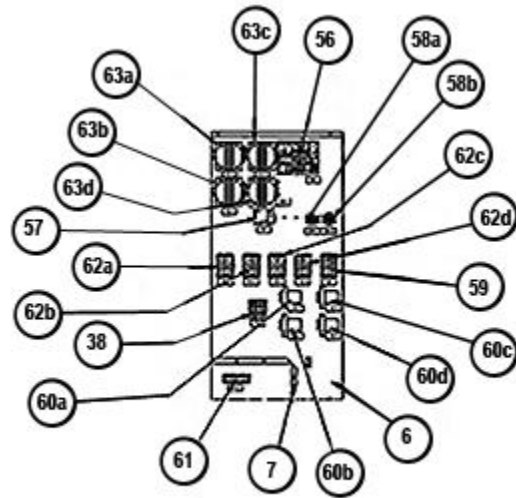
Blower Assembly 090-150



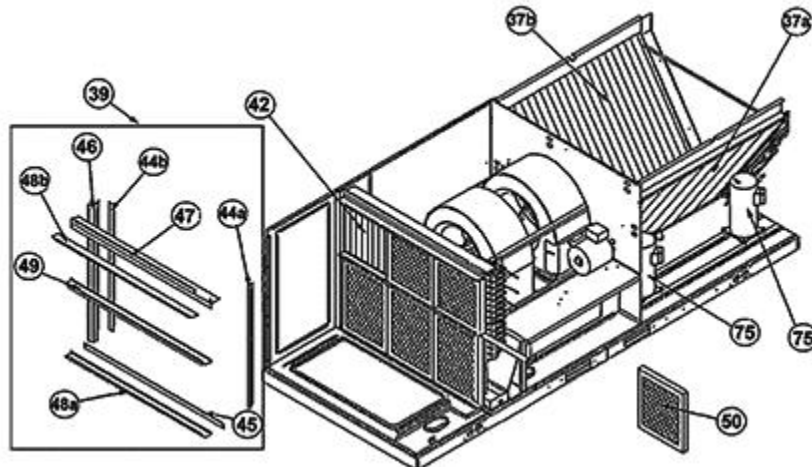
Heat Exchanger Assembly 090-150



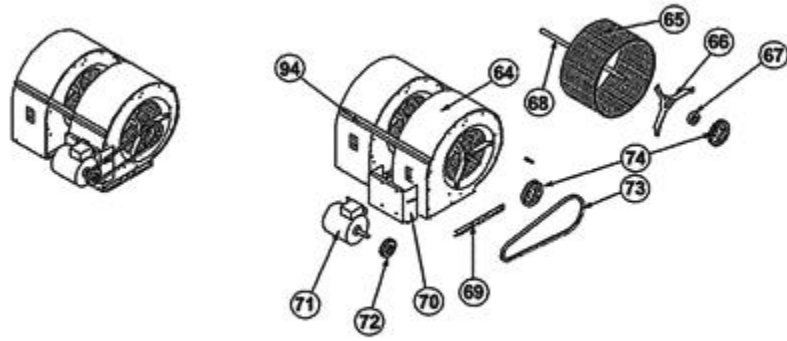
Heat Exchanger Assembly 180 240



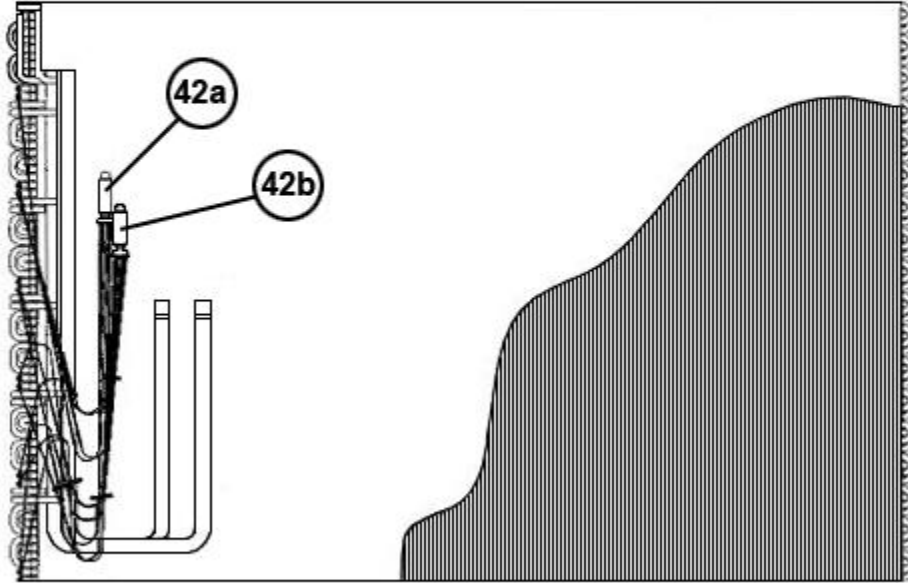
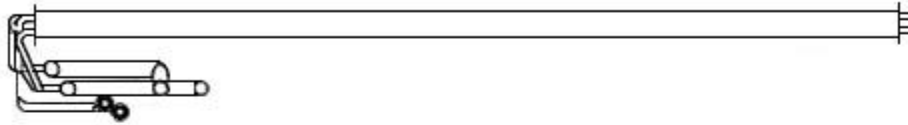
Control Board Assembly 180 240



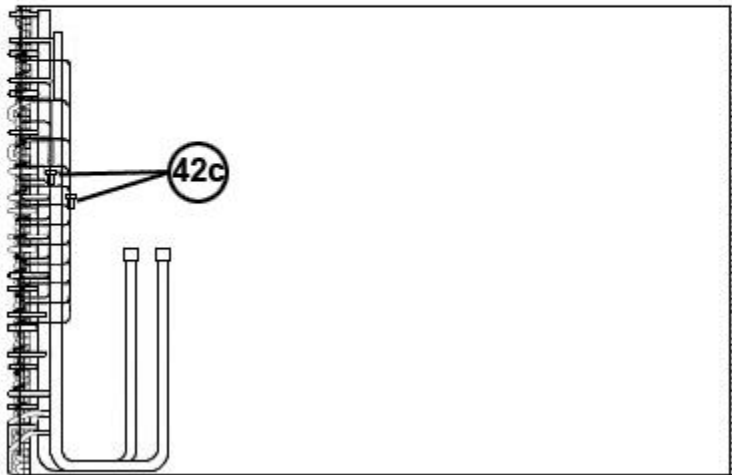
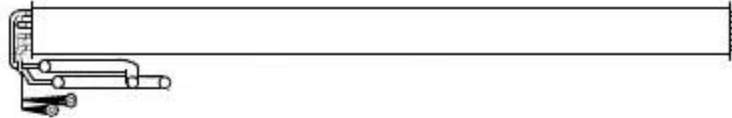
Coil Assembly 180 240



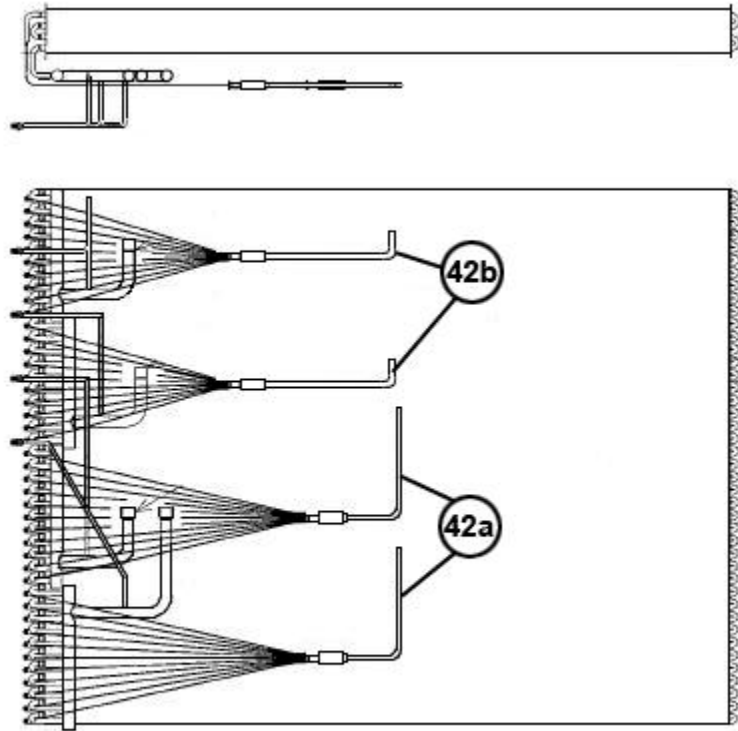
Blower Assembly 180 240



Evaporator Coil Assembly 090-120



Evaporator Coil Assembly 0150



Evaporator Coil Assembly 180-240



# NOTES

Stk It is recommended that stock be maintained for this part.

N/A Not Applicable

- 1 A small number of early production RKMB series were built with "2B" gas control components, but were labeled with a " 2A" serial number. The units labeled with " 2A" have the " 2B" gas control parts.
- 2 Order the specified LP Conversion Kit
- 3 Order Gas Valve for Natural Gas along with LP Conversion Kit
- 4 Harness as supplied is complete except for vacancy in pin positions 1 and 4 (orange wires for Limit Control). If needed, these will have to be field fabricated or reused and inserted into harness plug.

**DISCLAIMER:** This document is intended to provide general replacement parts information to aid qualified service personnel in the repair of these models. The complete Model and Serial Number of the unit under repair should be specified when selecting and ordering replacement parts. Specifications and illustrations are subject to change without notice. Document 92-42800-RKMB supersedes all previous parts lists for these models. See <http://www.rheempartslists.net/92-42800-RKMB> for the latest revision of this document. The manufacturer assumes no obligation for errors or omissions. Service personnel must verify the proper and safe operation of equipment after the replacement of any original components.