

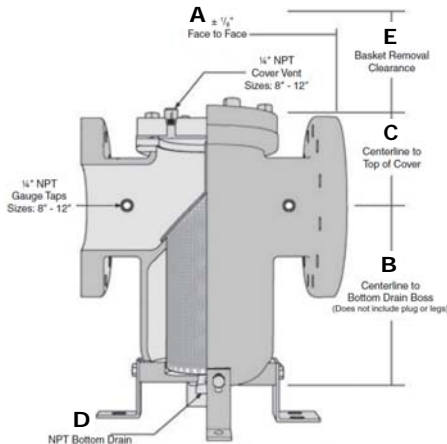
Spirax-Sarco Strainers for Steam Systems

Spirax Sarco 733 Cast Iron Basket Strainers

Save your steam heating equipment from premature failure!

- Basket strainers up to 8" pipe size include a type 304 stainless steel strainer with .045" perforations.
- 10" and 12" models have stainless steel strainers with 0.125" perforations.
- Replacement strainers and gaskets can be ordered below.
- Model 733-125 has a maximum operating pressure of 150 psi steam @ 406° F.
- Model 733-250 has a maximum operating pressure of 250 psi steam @ 406° F.
- Recommended ball valves with an appropriate schedule of pipe nipple be installed (D) to ensure proper maintenance and blow-down of the basket strainer.

Basket strainers provide the insurance you need to prevent premature equipment failure and reduce maintenance costs.



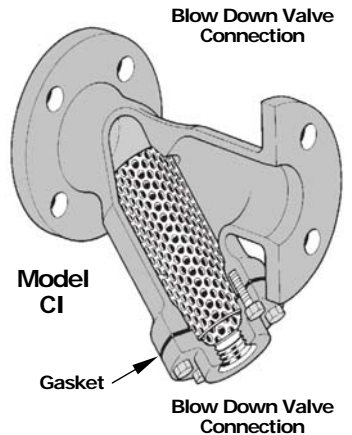
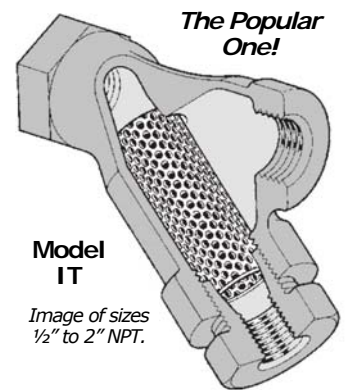
Model No.	FLG Pipe Size	Dimensions, Inches								733-125 Order No.	Wgt. Lbs.	733-250 Order No.	Wgt. Lbs.	Replacement Gasket ALL	Replacement S.S. Strainer ALL
		A -125	A -250	B -125	B -250	C -125	C -250	D NPT	E ALL						
733	2	8.63	8.63	5.88	5.88	4.38	5.75	1/2	10.88	SG1350	27	SG1370	40	SH1640	SH1620
	2 1/2"	7.56	8.40	5.44	5.40	3.75	5.20	3/4	10.88	SG1351	30	SG1371	45	SH1641	SH1621
	3"	8.75	9.60	5.25	5.30	5.13	6.60	3/4	11.25	SG1352	40	SG1372	52	SH1642	SH1622
	4"	11.19	11.50	7.88	8.00	5.38	7.40	3/4	15.50	SG1353	76	SG1373	90	SH1643	SH1623
	6"	14.00	15.50	8.00	10.40	5.63	8.90	3/4	18.25	SG1354	154	SG1374	224	SH1644	SH1624
	8"	17.13	18.10	10.63	15.50	7.00	9.60	1 1/2	23.38	SG1355	244	SG1375	240	SH1645	SH1625
	10"	22.00	23.30	16.00	16.00	9.25	12.40	1 1/2	29.00	SG1356	416	SG1376	460	SH1646	SH1626
	12"	25.25	26.50	23.75	23.80	11.63	13.90	2	37.50	SG1357	752	SG1377	854	SH1647	SH1627

Spirax Sarco NPT & Flanged Cast Iron Y-Strainers

Y-strainer protect valves and heat transfer equipment from rust & pipe scale damage.

- Select from both NPT (Model IT) or ANSI 125 flanged (Model CI) connections.
- Model IT: 250 psi operating steam; Model CT: 147 psi to 6" pipe size; 125 psi at 8" pipe size.
- Strainer screens are 20-mesh, perforated 304 stainless steel and replaceable.
- Cast iron body construction with blow down valve connections.
- Install a blow-down valve (ball valve) to allow for scheduled maintenance of sediment removal.

Model No.	Pipe Size	Blow Down Valve Connection Size	End-to-End Dimension (inches)	Wgt. Lbs.	Order No.	Replacement Gasket ALL	Replacement S.S. Strainer ALL
IT NPT 250 psi	1/2"	3/8" NPT	3.4	1.2	SG1180	None	SH1270
	3/4"	1/2" NPT	4.4	2.9	SG1185	None	SH1275
	1"	3/4" NPT	4.9	4.3	SG1190	None	SH1280
	1 1/4"	3/4" NPT	5.4	6.5	SG1195	None	SH1285
	1 1/2"	1" NPT	6.4	9.6	SG1200	None	SH1290
	2"	1 1/4" NPT	7.5	12.9	SG1205	None	SH1295
	2 1/2"	1 1/4" NPT	9.0	22.0	SG1207	SH1685	SH1296
	3"	1 1/2" NPT	10.0	35.0	SG1210	SH1685A	SH1297
CI-125 FLG 147 psi	2"	1" NPT	8.7	17.0	SG1176	SH1685C	SH1600
	2 1/2"	1" NPT	10.5	29.0	SG1177	SH1685E	SH1601
	3"	1 1/4" NPT	12.0	44.0	SG1178	SH1685G	SH1602
	4"	1 1/4" NPT	14.9	82.0	SG1179	SH1685H	SH1603
	5"	1 1/2" NPT	17.2	115.0	SG1179A	SH1685K	SH1604
	6"	1 1/2" NPT	20.0	160.0	SG1179B	SH1685M	SH1605
	8"	2" NPT	24.0	247.0	SG1179C	SH1685N	SH1606



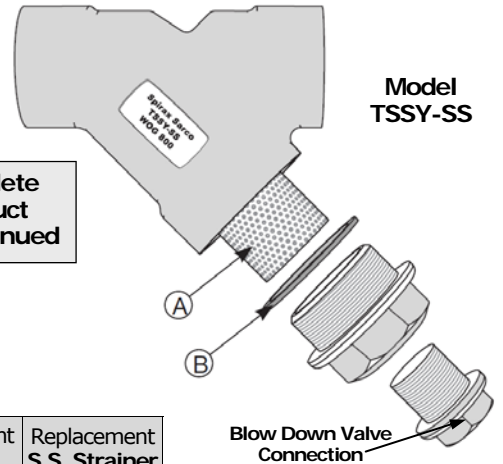
Spirax-Sarco Strainers for Steam & Water Systems

Spirax Sarco TSSY-SS Stainless Steel Y-Strainers

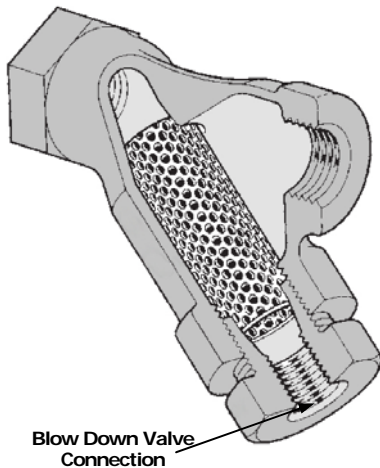
Complete Product Discontinued - Repair Parts Available.

- Stainless steel strainer with .040" perforations.
- Body construction: Investment cast stainless steel, type 316L
- Replacement strainers and gaskets can be ordered below.
- Maximum saturated steam rating to 300 psi @ 420 F.
- Maximum liquid rating to 350 psi @ 1000 F.
- Gasket made of PTFE Teflon™.
- Recommended ball valves with an appropriate schedule of pipe nipple be installed at blow-down to ensure proper maintenance and operation of the strainer.

The above product information is for historical reference.



Model No.	Pipe Size	Blow Down Valve Connection Size	End-to-End Dimension (inches)	Wgt. Lbs.	Order No.	Replacement Gasket B	Replacement S.S. Strainer A
TSSY-SS NPT 250 psi	1/2"	1/4" NPT	2.55	0.5	Complete Y-Strainer No Longer Made.	SH1686	SH1686M
	3/4"	3/8" NPT	3.14	1.0		SH1686A	SH1686N
	1"	3/8" NPT	3.54	1.5		SH1686C	SH1686P
	1 1/4"	1/2" NPT	4.13	2.0		SH1686E	SH1686R
	1 1/2"	1/2" NPT	4.72	2.5		SH1686H	SH1686T
	2"	1/2" NPT	5.25	4.0		SH1686K	SH1686V



Spirax Sarco BT Bronze Y- Strainers

Extend the life of your liquid or steam heating & process equipment.

- Stainless steel strainer screen, 20 mesh perforation.
- Body construction: Bronze ASTM B 62
- Replacement strainers and gaskets. *Most sizes do not use gaskets.*
- Maximum allowable liquid pressure to 400 psi @ 150 F.
- Maximum allowable steam pressure to 400 psi @ 150 F.
- Maximum allowable temperature to 406 F @ 0-250 psi
- Gasket (for 2 1/2" and 3") made of Graphite. Not used on 3/8" to 2" models.
- Recommended ball valves with an appropriate schedule of pipe nipple be installed at blow-down to ensure proper maintenance and operation of the strainer.

Bronze construction with stainless steel screen—Great for potable water.

Model No.	Pipe Size	Blow Down Valve Connection Size	End-to-End Dimension (inches)	Wgt. Lbs.	Order No.	Replacement Gasket ALL	Replacement S.S. Strainer ALL
BT 400 psi @ 150 F.	3/8"	1/4" NPT	2.9	1.0	SG1946	None	SH1687C
	1/2"	1/4" NPT	3.4	1.3	SG1946A	None	SH1687E
	3/4"	1/2" NPT	4.4	2.7	SG1946CC	None	SH1687H
	1"	3/4" NPT	4.9	3.5	SG1946E	None	SH1687K
	1 1/4"	3/4" NPT	5.4	5.1	SG1946H	None	SH1687M
	1 1/2"	3/4" NPT	6.4	7.6	SG1946K	None	SH1687N
	2"	1" NPT	7.5	13.0	SG1946M	None	SH1687R
	2 1/2"	1 1/4" NPT	8.6	21.0	SG1946N	SH1687	SH1687T
	3"	1 1/4" NPT	10.1	32.0	SG1946P	SH1687A	SH1687V