

# EAST LINEAR

## Features

- Solid brass construction
- Brass valve bodies
- Quarter-turn washerless ceramic disc valve cartridges
- Two-valve, inlet/outlet flow control design
- ADA compliant contemporary lever handles
- Double-pivot spout with aerated flow
- 13-7/8" (35.2 cm) spout height from wall inlet center
- 21-1/2" (54.6 cm) pivoting spout reach from inlet valve (c-c)
- For single hole, deck-mounted configurations

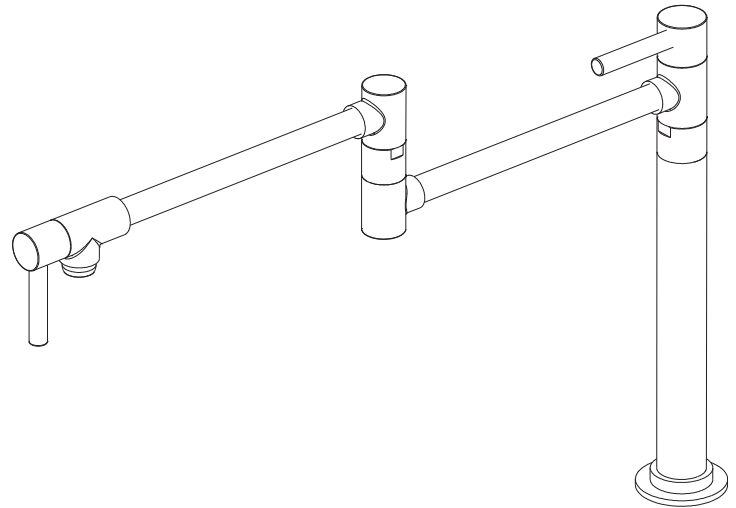
## Codes / Standards Compliance

Meets or exceeds the following at date of manufacture:

- ASME A112.18.1/CSA B125.1
- IAPMO/cUPC
- IPC
- NSF 61
- ADA
- ICC/ANSI A117.1
- All applicable US Federal and State material regulations

## Deck-Mounted Pot-Filler Faucet

# 9486



## Colors / Finishes

- 10B: Oil Rubbed Bronze
- 15: Polished Nickel
- 15S: Satin Nickel
- 26: Polished Chrome
- Other: Refer to the Newport Brass catalog for additional color/finish options.

## Specified Model

Model	Description	Colors / Finishes
9486	Deck-Mounted Pot-Filler Faucet	<input type="checkbox"/> 10B <input type="checkbox"/> 15 <input type="checkbox"/> 15S <input type="checkbox"/> 26 <input type="checkbox"/> Other

## Product Specification:

Add "Color / Finish" suffix to Model number, below.

The Pot-Filler Faucet shall be made of solid brass construction. Faucet shall incorporate a double-pivot spout with aerated flow and a feature brass valve bodies with quarter-turn washerless ceramic disc valve cartridges. Pot-filler Faucet shall be a two-valve, inlet/outlet flow control design accommodating single-hole, deck-mounted configurations. Product shall incorporate a 13-7/8" (35.2 cm) spout height from wall inlet center and a 21-1/2" (54.6 cm) pivoting spout reach from inlet valve (c-c). Faucet shall incorporate ADA compliant contemporary lever handles. Pot-Filler Faucet shall be Newport Brass Model 9486/\_\_\_\_ .

# 9486

## Product Dimensions *(units are in inches)*

