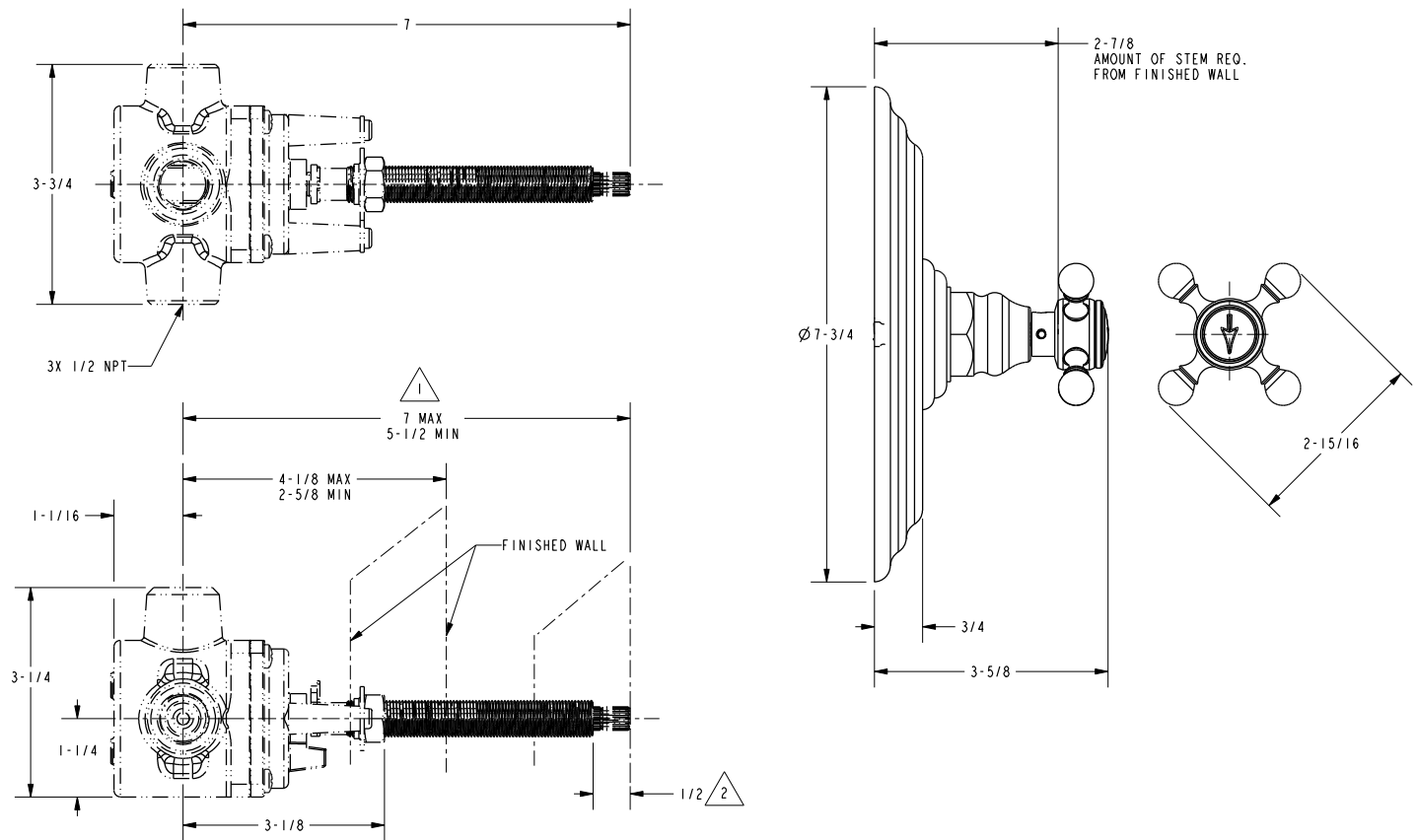


4-924BP

Product Dimensions *(units are in inches)*

NOTES:

- 1. CUT STEM TO DIMENSION SHOWN.
- 2. CUT ALL-THREAD 1/2" SHORTER THAN STEM.
- 3. VALVE, PN: 1-504, SOLD SEPARATELY.



Astor Tub or Shower Trim
 (less tub spout or showerhead, arm & flange)
4-924BP

page 2 of 2 spec_4-924BP_rev-b

NEWPORT BRASS
 Flawless Beauty. From Faucet to Finish.™

t: 949.417.5207 | www.newportbrass.com
 ©2014 Brasstech, Inc.