

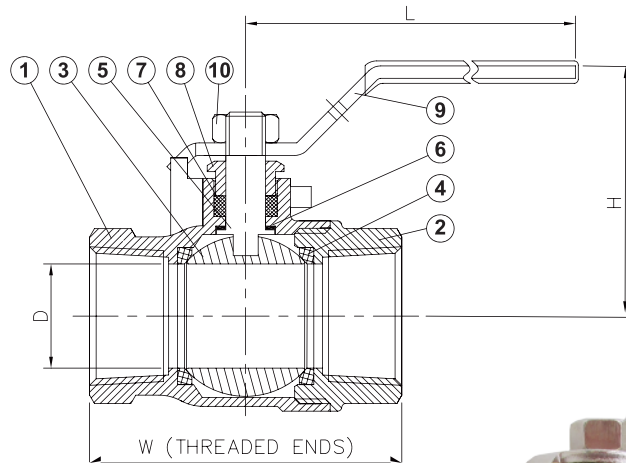
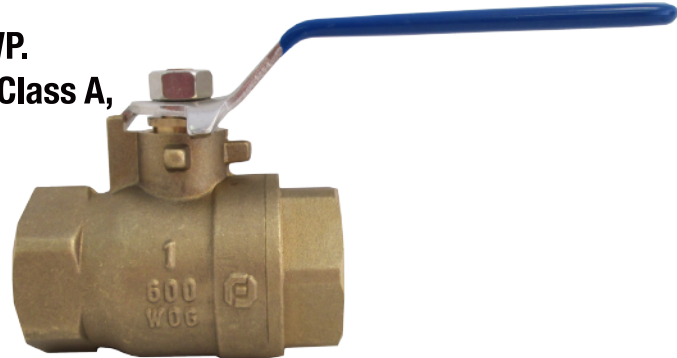
LANSDALE

VALVE & MANUFACTURING

www.Breccocorp.com

BALL VALVE -FULL PORT

- Full-Port threaded ends (1/4" to 2" with CSA/UL/FM/NSF61 Approval).
- 2-Piece Forged Brass.
- Female NPT Inlet and Outlet.
- 600 WOG (2 1/2" to 4": 400 WOG/600 WOG Optional), 150 SWP.
- Valves conform to Federal Specification WW-V-35, Type II Class A, Style 3 and MSS SP-110.



MATERIAL LIST	
NO.	MATERIAL
1 Body	Forged Brass
2 End Cap	Forged Brass
3 Ball	Brass
4 Seat	PTFE
5 Stem	Brass (ASTM B16)
6 Thrust Washer	PTFE
7 Packing	PTFE
8 Gland	Brass
9 Handle	Carbon Steel Plated
10 Nut	Carbon Steel Plated

SIZE	D	W	H	L
1/2"	0.50"	2.12"	1.45"	3.23"
3/4"	0.75"	2.41"	1.78"	3.94"
1"	0.98"	2.96"	2.29"	4.72"
1 1/4"	1.22"	3.28"	2.44"	4.72"
1 1/2"	1.50"	3.67"	3.00"	7.09"
2"	1.97"	4.21"	3.30"	7.09"

UL Approval:

- Trim and Drain (300psi)
- Compressed Gas Shut-off Valves (600psi)
- Flammable Liquid Shut-Off Valves (600psi)
- Gas Shut-Off Valves (600psi)
- LP-Gas Shut-Off Valves (600psi)
- Manual Valves (600psi)

FM Approval:

- 600 psi Rating



PROJECT INFORMATION	APPROVAL STAMP
Project:	<input type="checkbox"/> Approved
Address:	<input type="checkbox"/> Approved as noted
Contractor:	<input type="checkbox"/> Not approved
Engineer:	Remarks:
Submittal Data:	
Notes 1:	
Notes 2:	